



US00D459070S

(12) **United States Design Patent**
DeChant

(10) **Patent No.: US D459,070 S**

(45) **Date of Patent: ** Jun. 25, 2002**

(54) **MINIATURE GOLF BAG TRAVEL ORGANIZER**

(76) Inventor: **Daniel A. DeChant**, 5434 Bremer Rd., McFarland, WI (US) 53558

(**) Term: **14 Years**

(21) Appl. No.: **29/130,967**

(22) Filed: **Oct. 12, 2000**

Related U.S. Application Data

(63) Continuation of application No. 09/474,646, filed on Dec. 29, 1999, now Pat. No. 6,196,718, which is a continuation of application No. 09/127,470, filed on Jul. 31, 1998, now Pat. No. 6,039,474.

(51) **LOC (7) Cl. 03-01**

(52) **U.S. Cl. D3/205**

(58) **Field of Search** D3/201, 205, 255; 190/107, 110, 109, 111, 113, 903; 383/66, 97, 4, 907, 23, 39, 98, 117; 206/315, 315.1, 315.3, 315.4, 581; 132/286, 315; D9/307; D7/606, 510, 511, 515

(56) **References Cited**

U.S. PATENT DOCUMENTS

2,165,665 A	7/1939	Thompson	206/315.4
3,023,867 A	3/1962	Kotkins	190/113
3,273,678 A	9/1966	Koret	190/109
3,465,993 A	9/1969	Muehlhausen	206/315
3,777,862 A	12/1973	Zipper	190/107
3,944,032 A	3/1976	Samhammer et al.	190/113
3,994,372 A	11/1976	Geller et al.	190/107
4,210,186 A	7/1980	Belenson	190/110
4,418,806 A	12/1983	Johnson	190/111
D288,653 S	3/1987	Crymes	D7/606
4,746,159 A	5/1988	Webb et al.	206/315.1
4,821,853 A	4/1989	Young	190/111
5,025,928 A	6/1991	Orosy et al.	206/581
D323,242 S	1/1992	Costello	D3/255
D324,975 S	3/1992	Miller	D7/608
5,095,924 A	3/1992	Stanfield	132/315
D327,422 S	6/1992	Laing	D9/307

D328,688 S	8/1992	Palmer et al.	D7/511
D330,631 S	11/1992	Ledbetter	D3/255
5,265,719 A	11/1993	Wand	190/111
D347,968 S	6/1994	Friedman	D7/510
D348,567 S	7/1994	Dunn	D3/255
D356,233 S	3/1995	Meier	D7/515
5,425,449 A	6/1995	Boorady	190/107
D366,812 S	2/1996	Collins et al.	D3/255
5,538,137 A	7/1996	Deioma et al.	190/111
5,544,743 A	8/1996	Hong	206/315
5,572,792 A	11/1996	Garabedian	206/315.3
5,584,422 A	12/1996	Bond-Madsen	190/903
5,651,455 A	7/1997	Garcia	383/117
D421,837 S	* 3/2000	Pradella	D3/205
6,039,474 A	3/2000	DeChant	383/66

OTHER PUBLICATIONS

Menards Brochure, Jun. 1998.
SkyMall Catalog, Summer 1998.

* cited by examiner

Primary Examiner—Louis S. Zarfaz
Assistant Examiner—Monica A. Weingart
(74) *Attorney, Agent, or Firm*—Teresa J. Welch; Jeffrey D. Peterson; Michael Best & Friedrich LLP

(57) **CLAIM**

The ornamental design for a miniature golf bag travel organizer, as shown and described.

DESCRIPTION

FIG. 1 is a perspective view of the miniature golf bag travel organizer showing my new design; FIG. 2 is a right side view thereof; FIG. 3 is a front view thereof; FIG. 4 is a left side view thereof; FIG. 5 is a top view thereof; and, FIG. 6 is a bottom view thereof.

The present application is directed to the design illustrated in the drawings. The broken line portions of the disclosure are for illustrative purposes only and form no part of the claimed design.

1 Claim, 2 Drawing Sheets

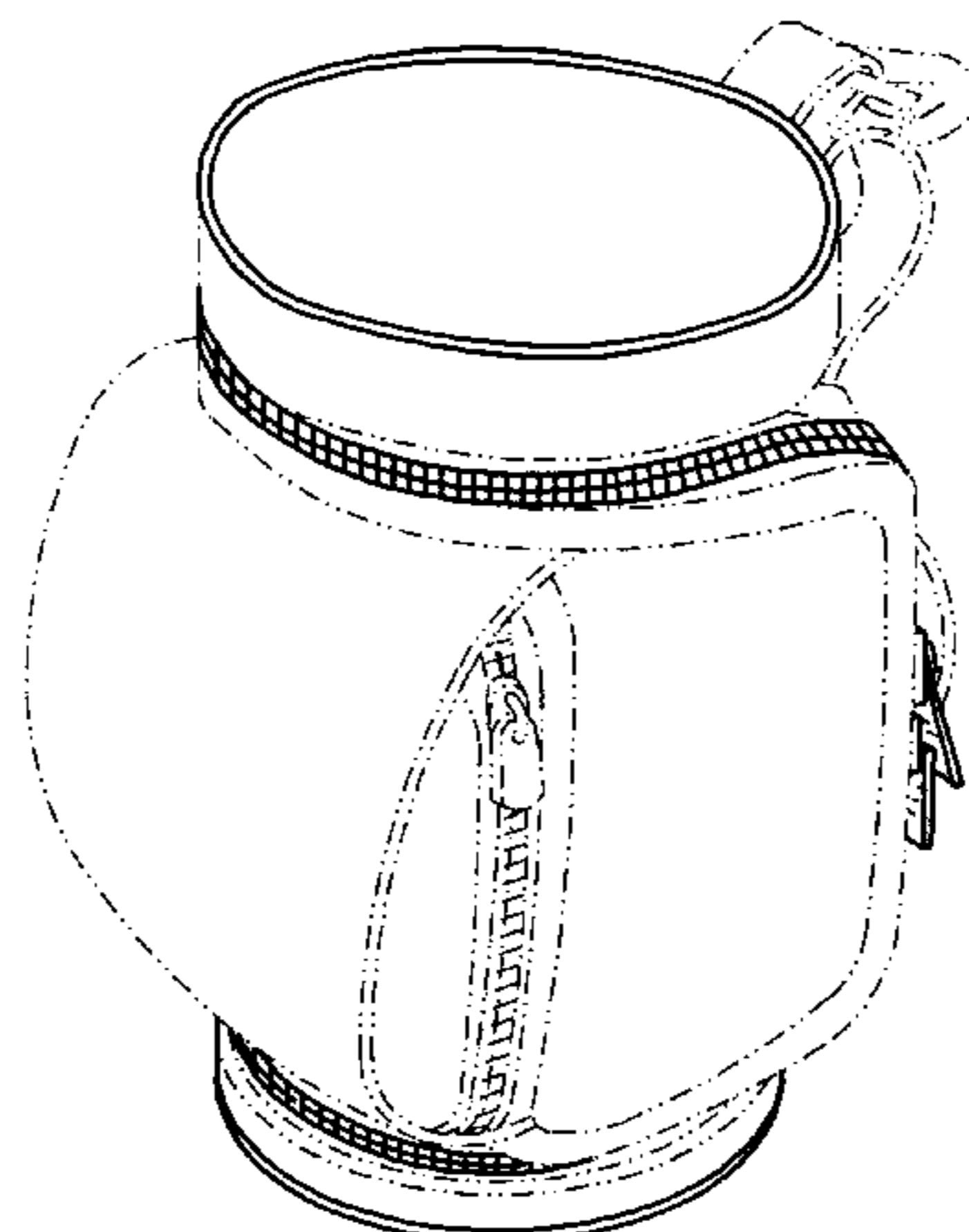


FIG. 1

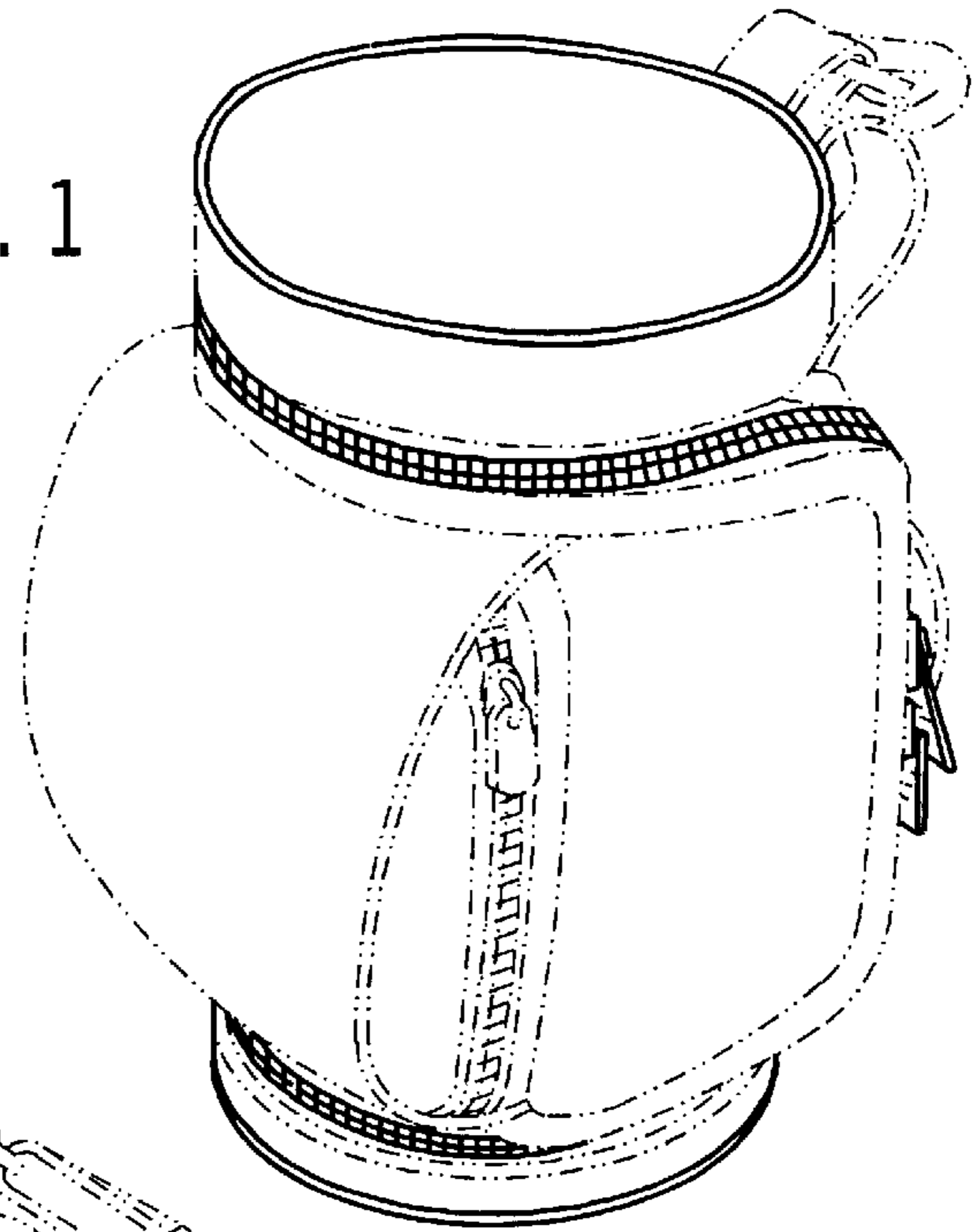


FIG. 2

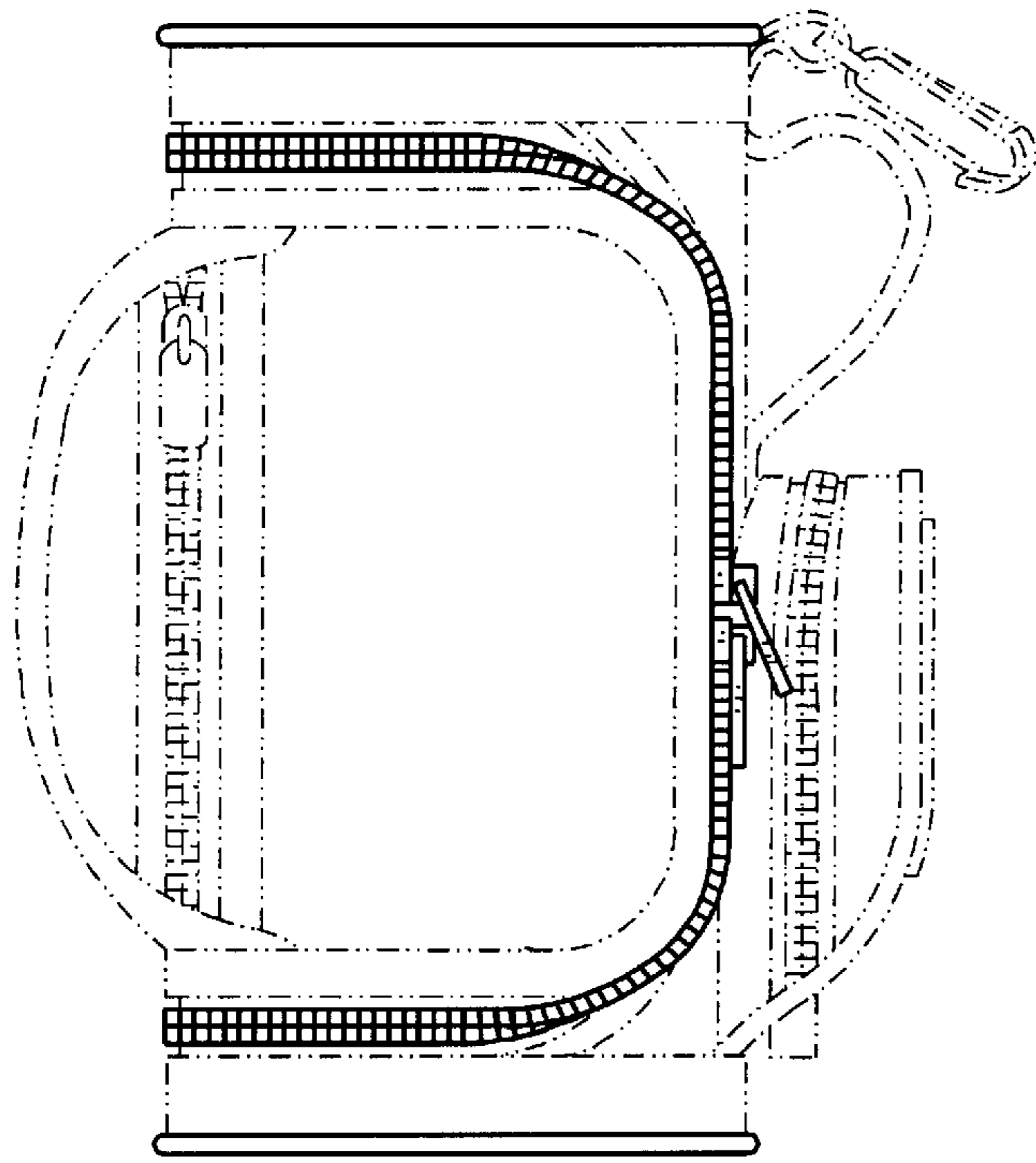
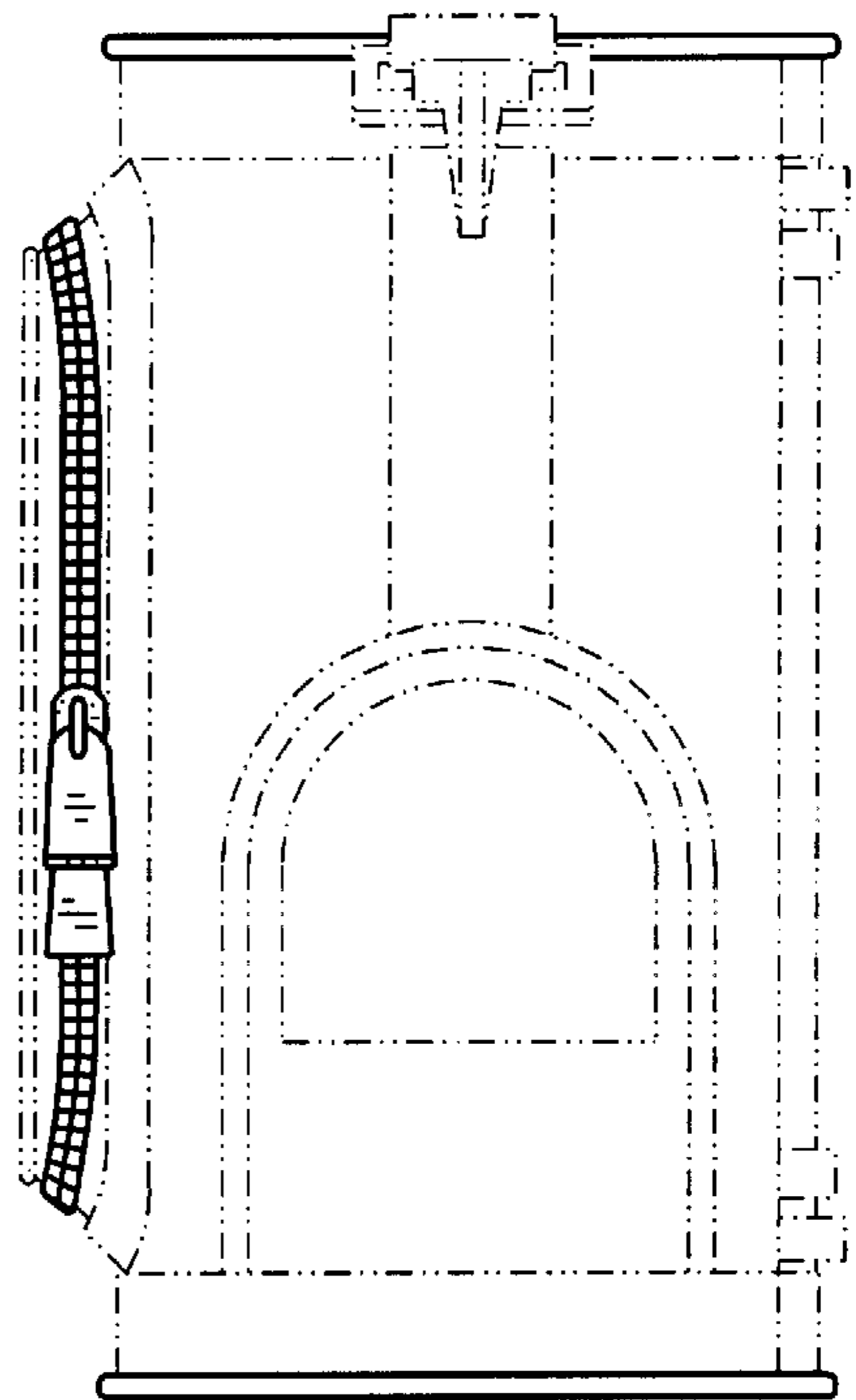


FIG. 3



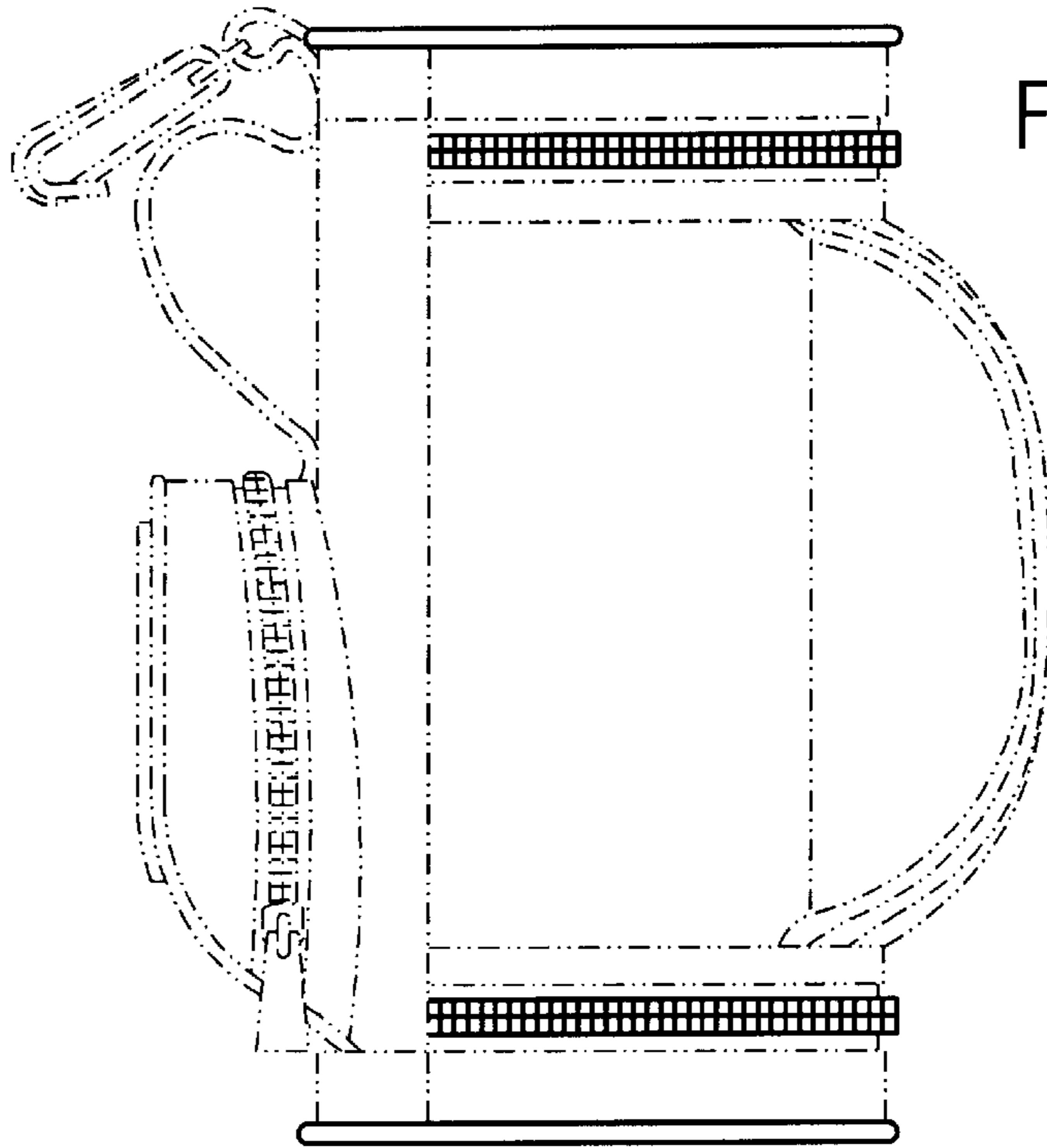


FIG. 4

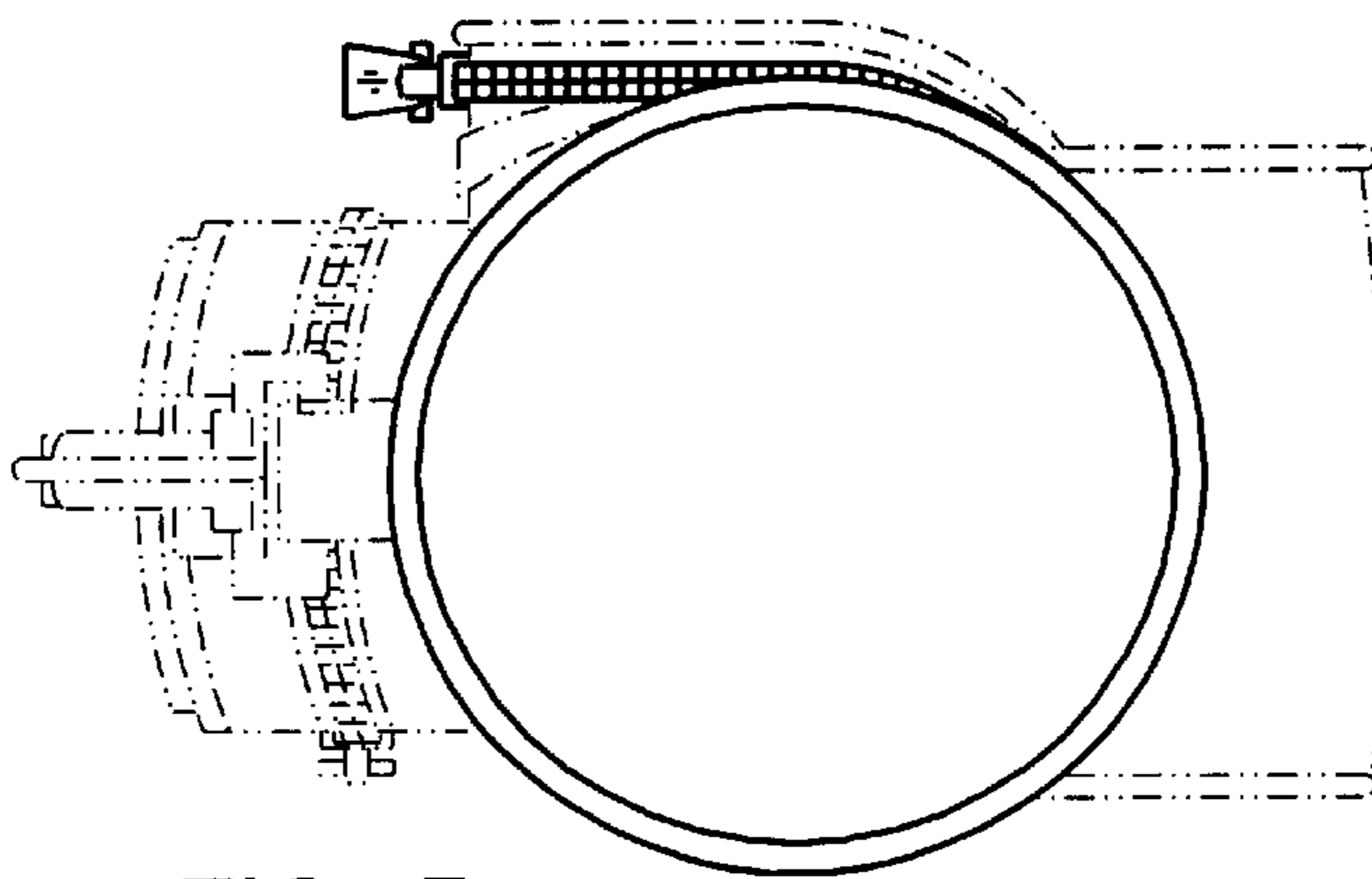


FIG. 5

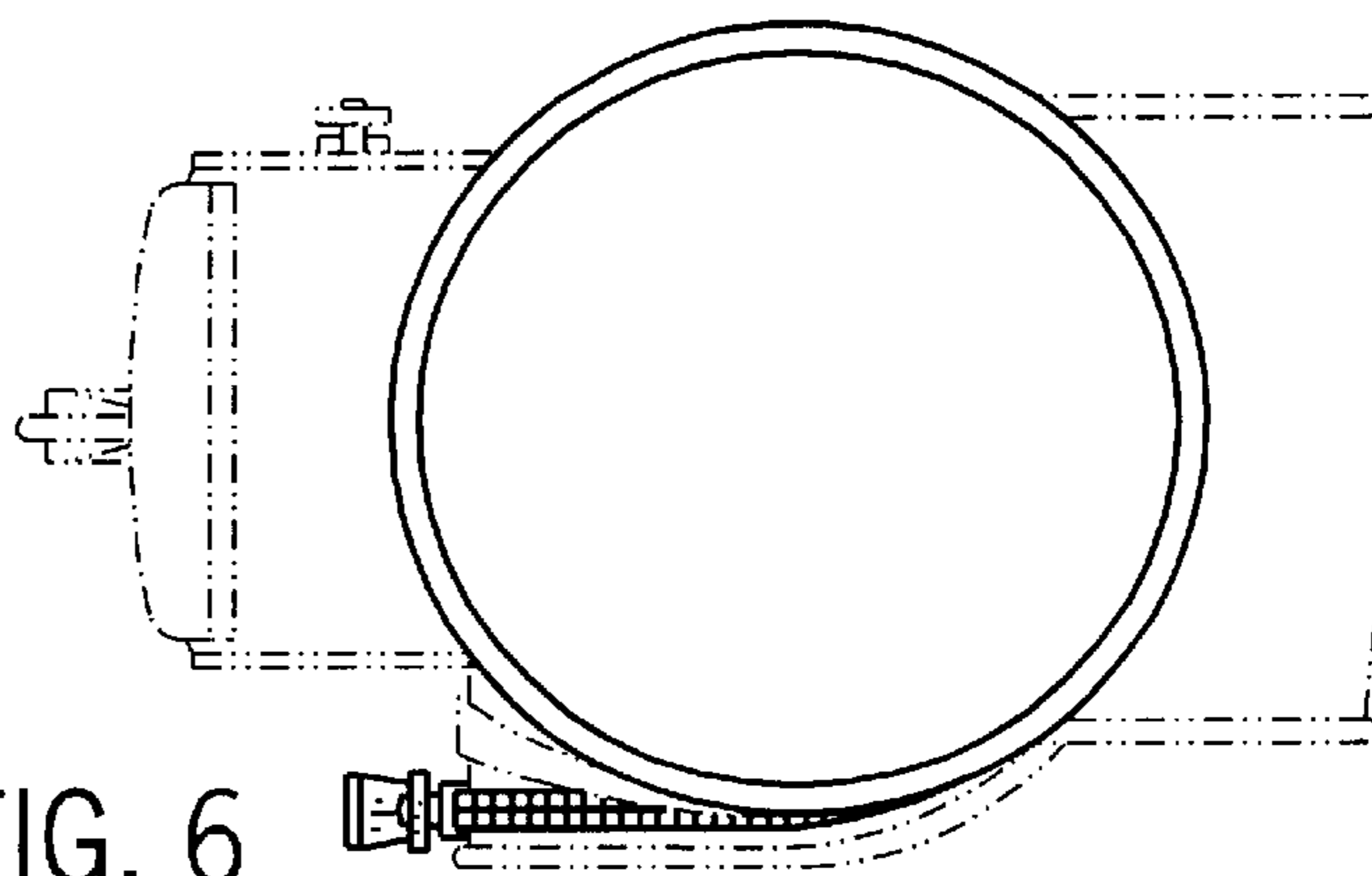


FIG. 6