



US00D459051S

(12) **United States Design Patent**
Weiss et al.

(10) **Patent No.: US D459,051 S**
(45) **Date of Patent: ** Jun. 25, 2002**

DESCRIPTION

(54) **CASE AND HANDLE FOR LOLLIPOP**

(75) Inventors: **Gary D. Weiss**, San Pedro; **Daniel G. Hart**, Hermosa Beach, both of CA (US)

(73) Assignee: **Candy Novelty Works Ltd.**, Kowloon (HK)

(**) Term: **14 Years**

(21) Appl. No.: **29/131,429**

(22) Filed: **Oct. 20, 2000**

(51) **LOC (7) Cl. 01-01**

(52) **U.S. Cl. D1/105**

(58) **Field of Search D7/602, 629; D1/102, D1/105; 426/134, 110, 115, 236, 266; 294/1.1**

(56) **References Cited**

U.S. PATENT DOCUMENTS

D363,859 S	*	11/1995	Matsick	D7/629
5,536,054 A	*	7/1996	Liaw	294/1.1
RE35,577 E	*	8/1997	Coleman	426/134
D406,496 S	*	3/1999	Medina	D7/629

* cited by examiner

Primary Examiner—Terry A. Wallace

(74) *Attorney, Agent, or Firm*—Joan H. Pauly

(57) **CLAIM**

The ornamental design for a case and handle for lollipop, substantially as shown and described.

The ornamental design for a case and handle for lollipop that is the subject of the invention includes a closed position, illustrated in FIGS. 1-5 in which the case and handle may encase a lollipop mounted on the case and handle for carrying and storage; and an open position, illustrated in FIGS. 6-11, in which a lollipop mounted thereon may be eaten.

FIG. 1 is a pictorial view of the case and handle for lollipop in a closed position.

FIG. 2 is a front elevational view thereof, the rear elevational view being a mirror image of the front elevational view.

FIG. 3 is a bottom plan view thereof.

FIG. 4 is a top plan view thereof.

FIG. 5 is a first side elevational view thereof, the opposite side elevational view being a mirror image of the first side elevational view.

FIG. 6 is a perspective view of FIG. 1 in an open position, the lollipop is shown in broken lines for illustrative purposes only and forms no part of the claimed design;

FIG. 7 is a front elevational view of the case and handle shown in FIG. 6, the rear elevational view being a mirror image of the front elevational view.

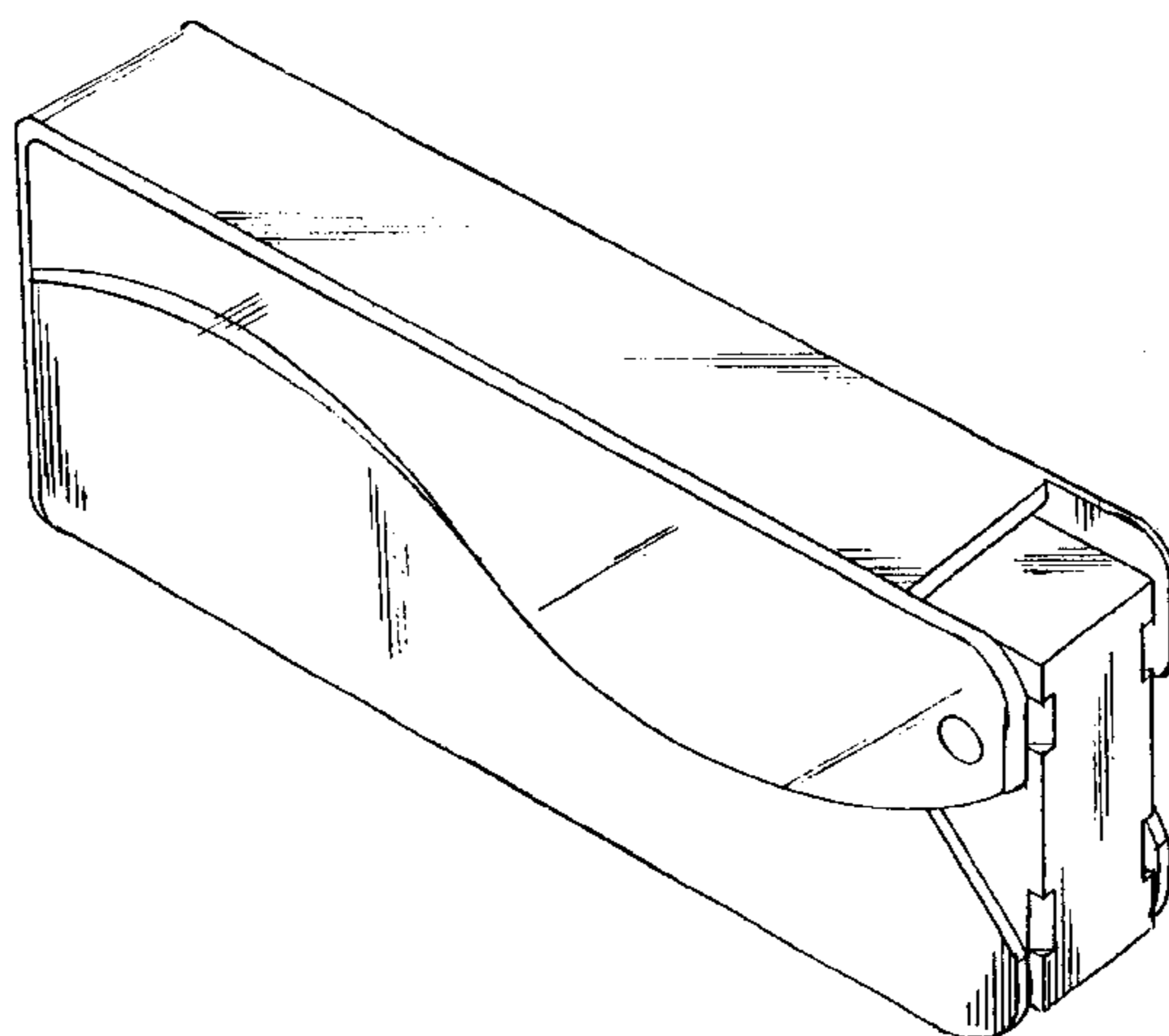
FIG. 8 is a first side elevational view thereof.

FIG. 9 is a second opposite side elevational view thereof.

FIG. 10 is a bottom plan view thereof; and,

FIG. 11 is a top plan view thereof.

1 Claim, 4 Drawing Sheets



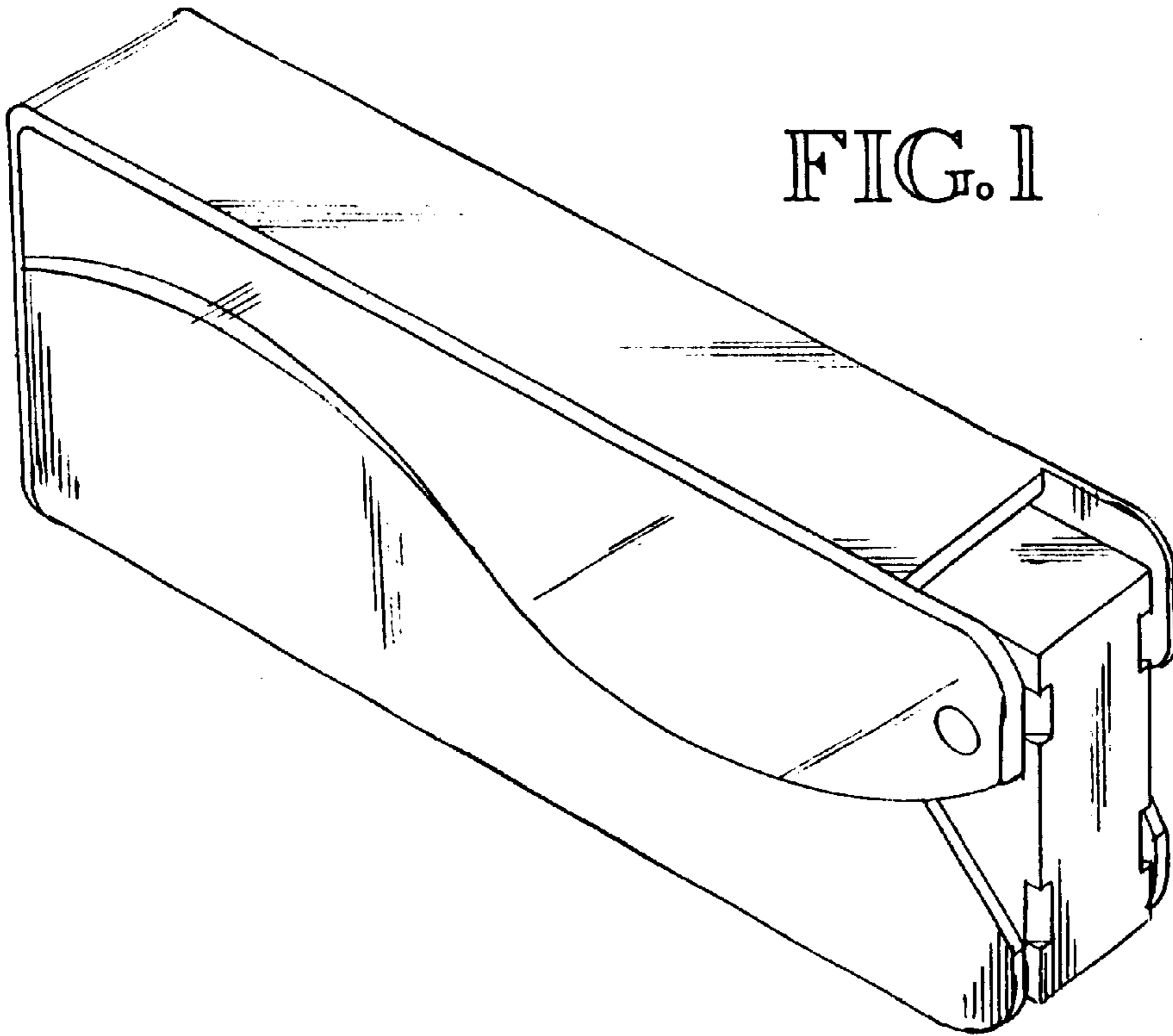
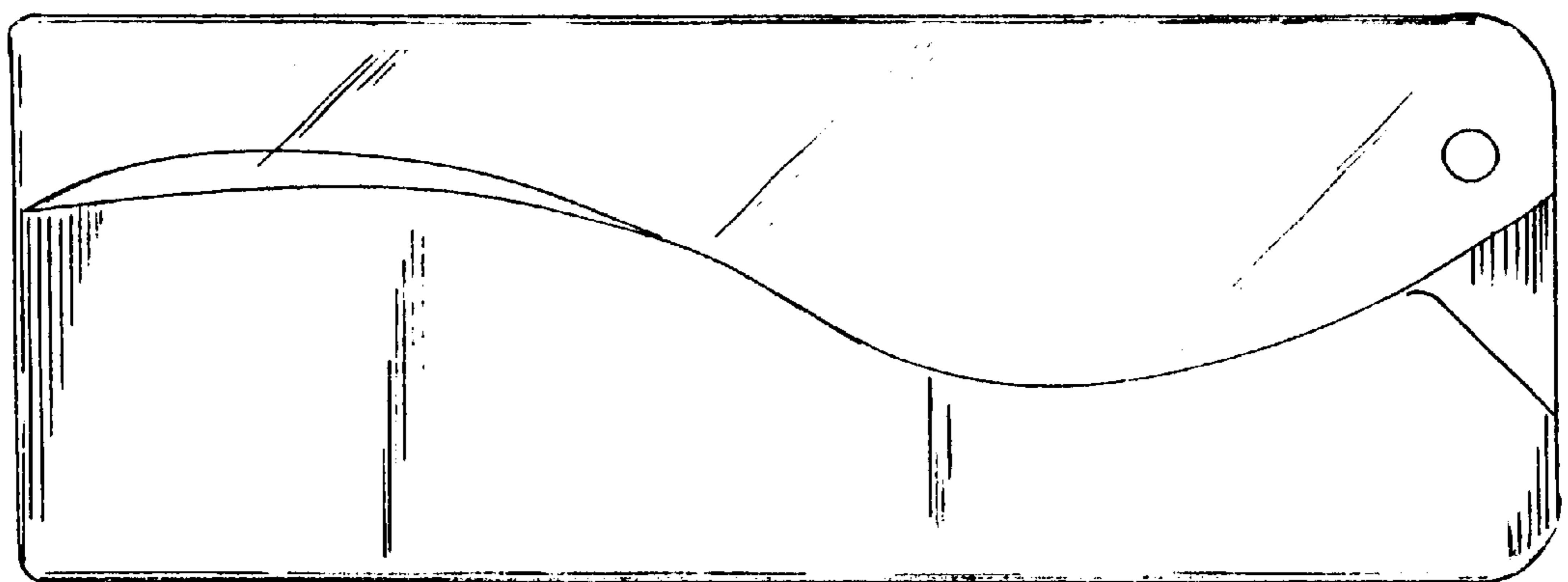


FIG. 2



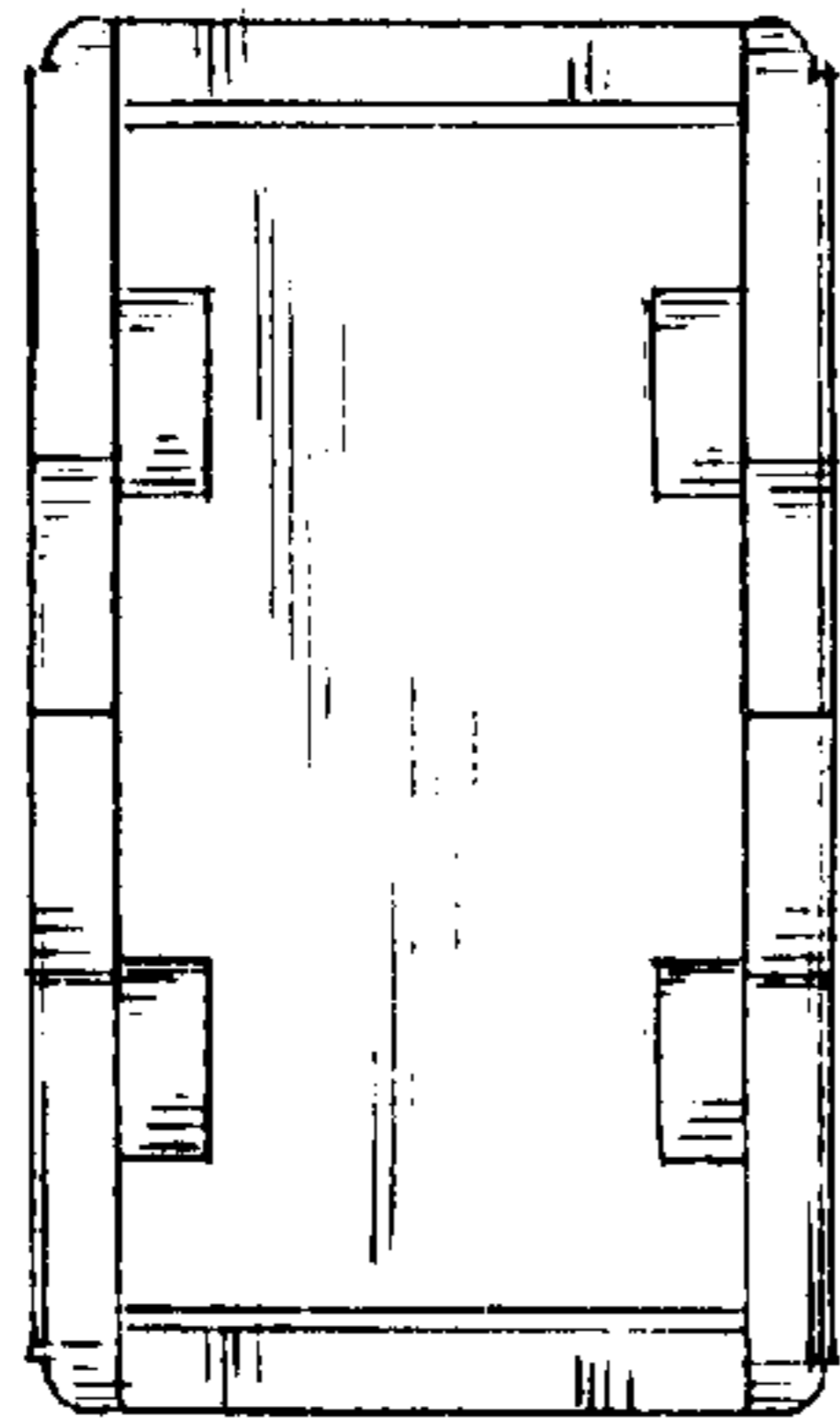


FIG. 3

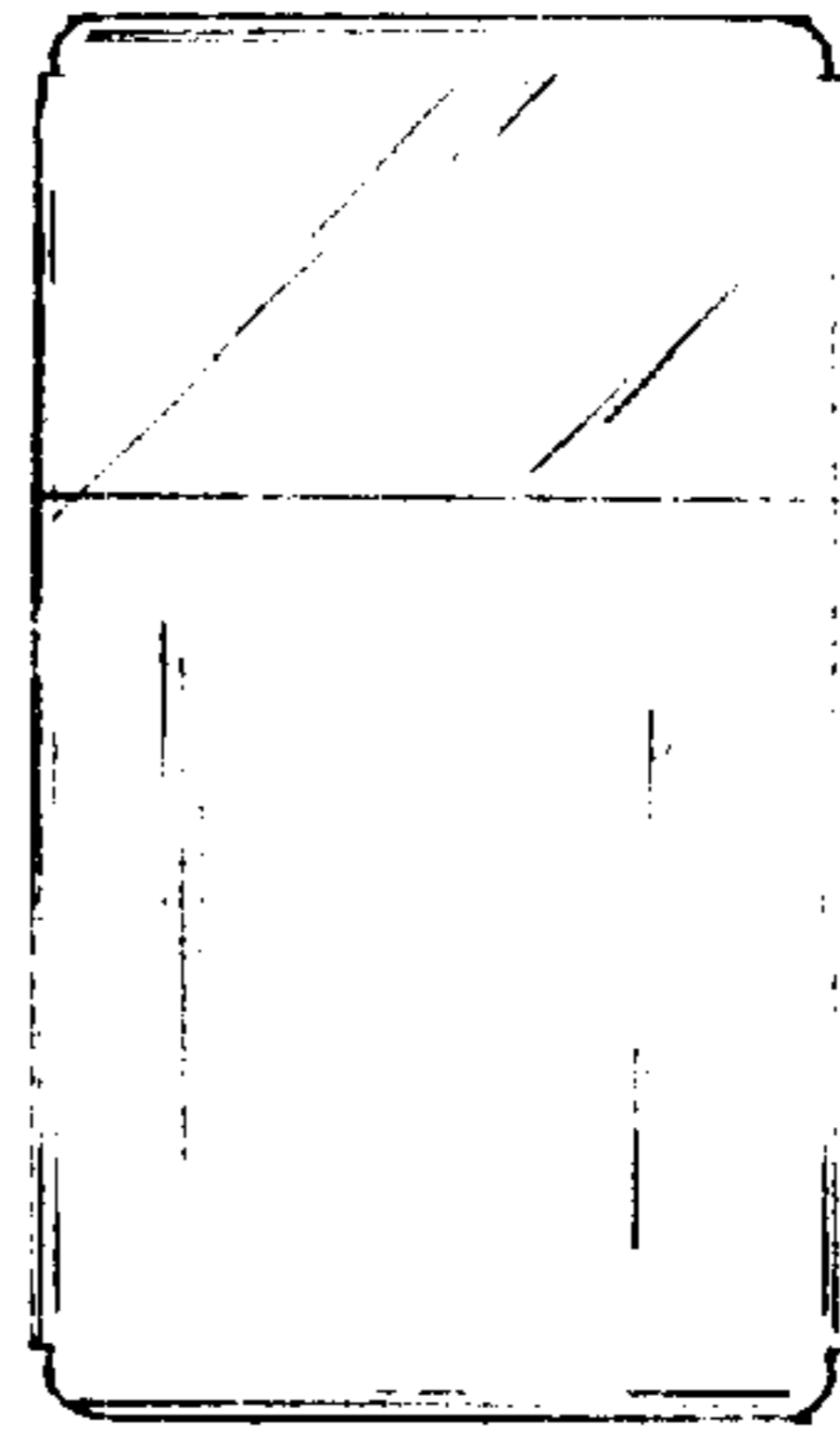


FIG. 4

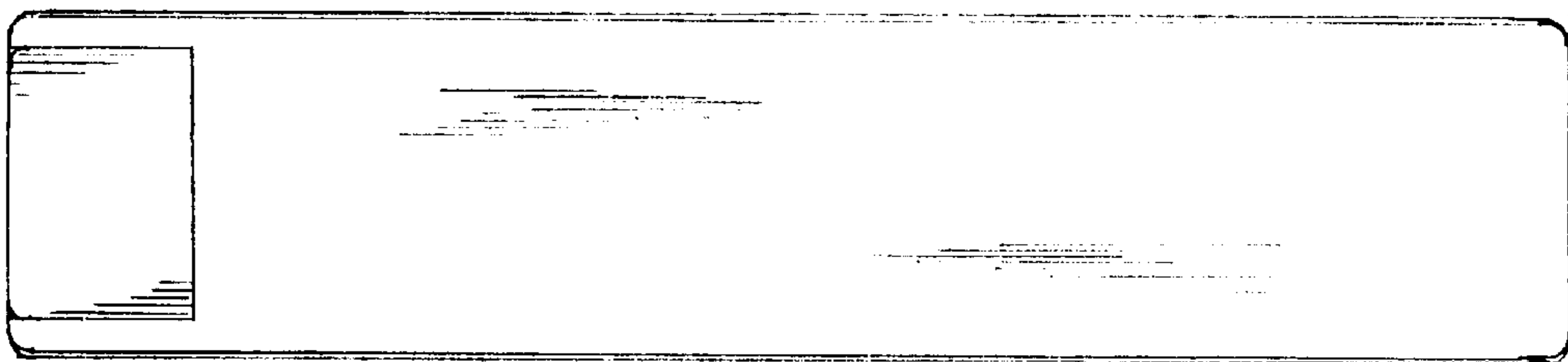


FIG. 5

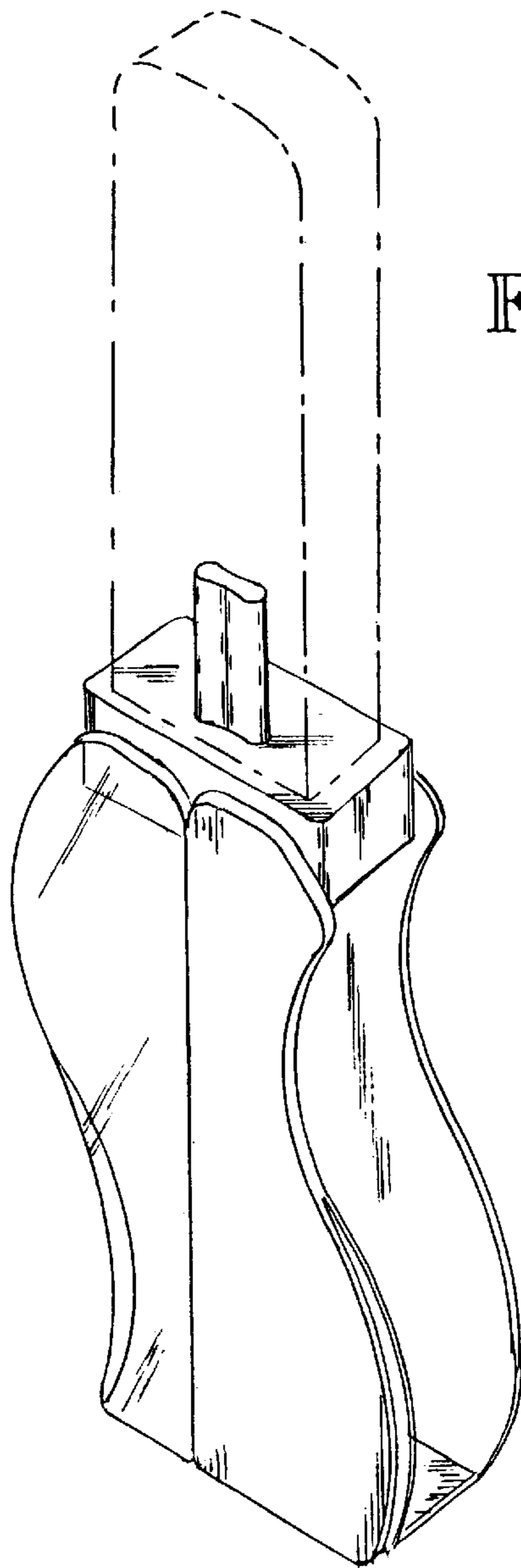


FIG. 6

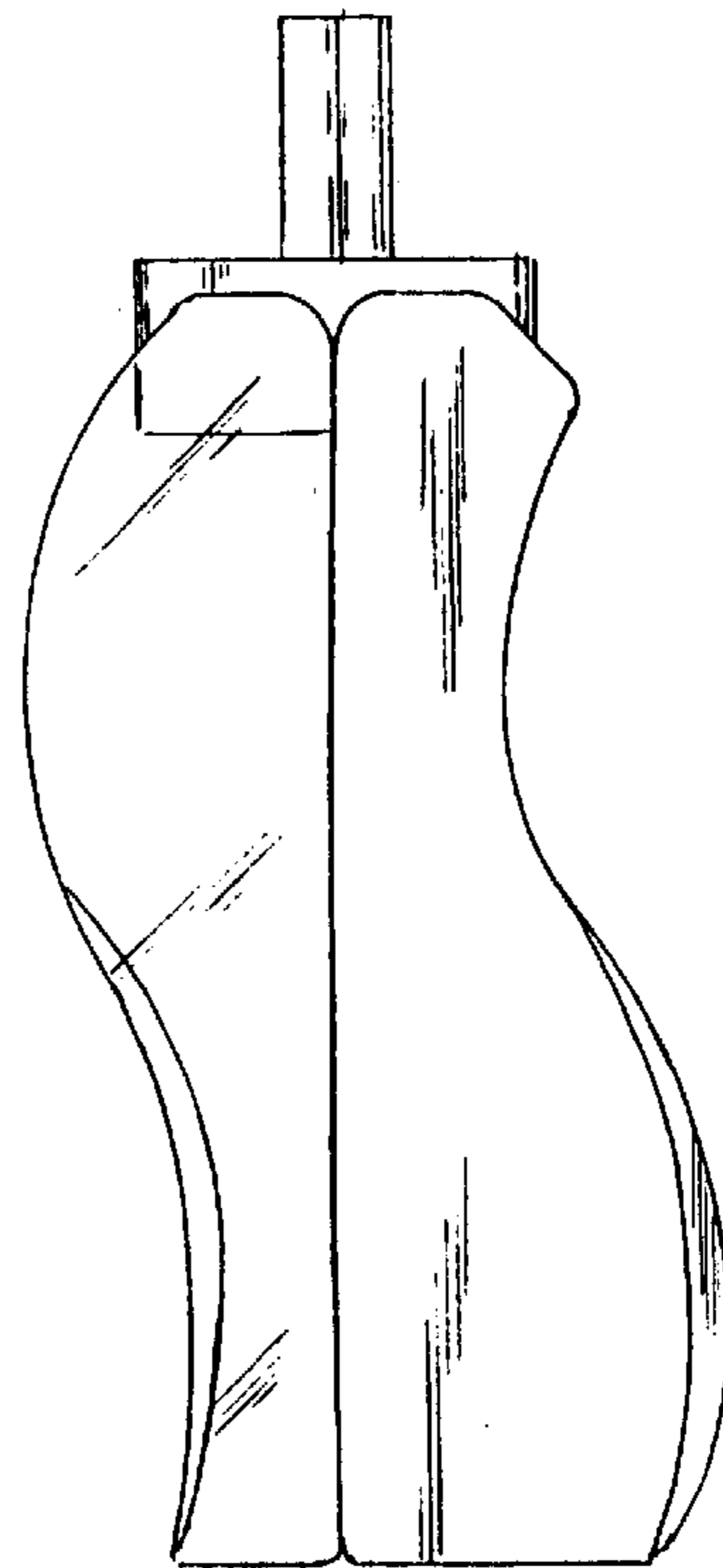


FIG. 7

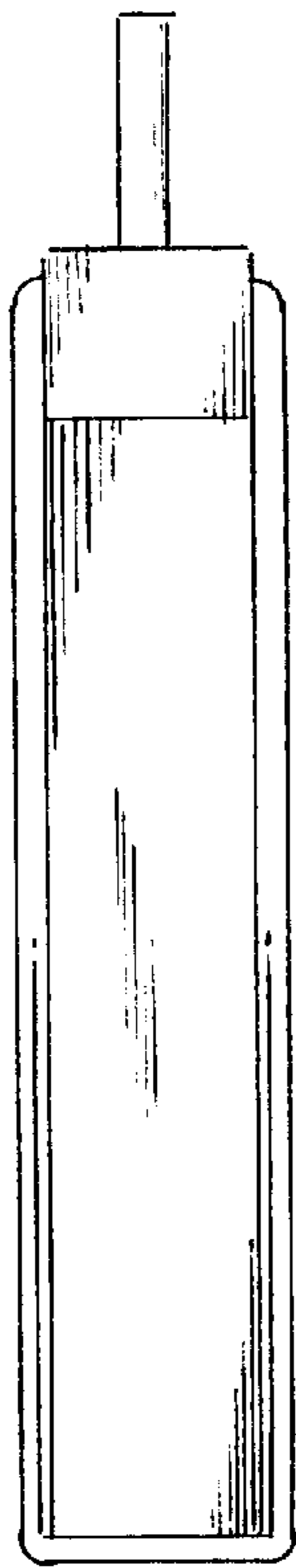


FIG. 8

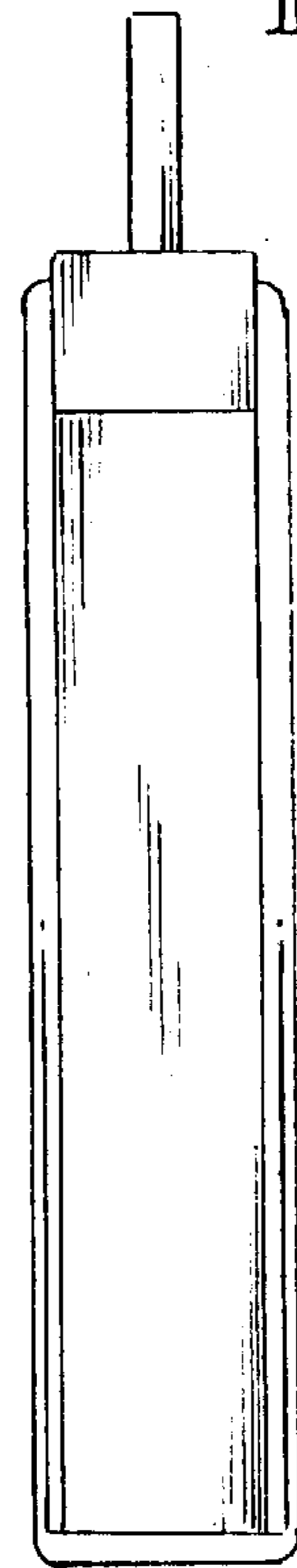


FIG. 9

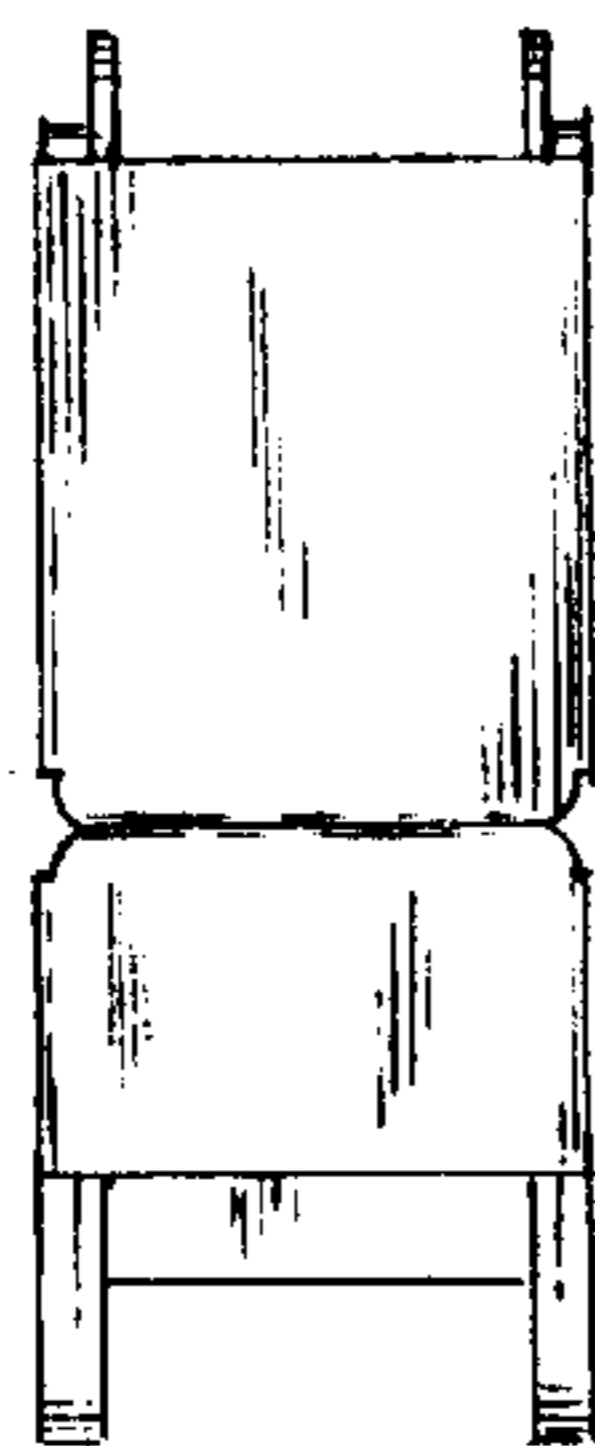


FIG. 10

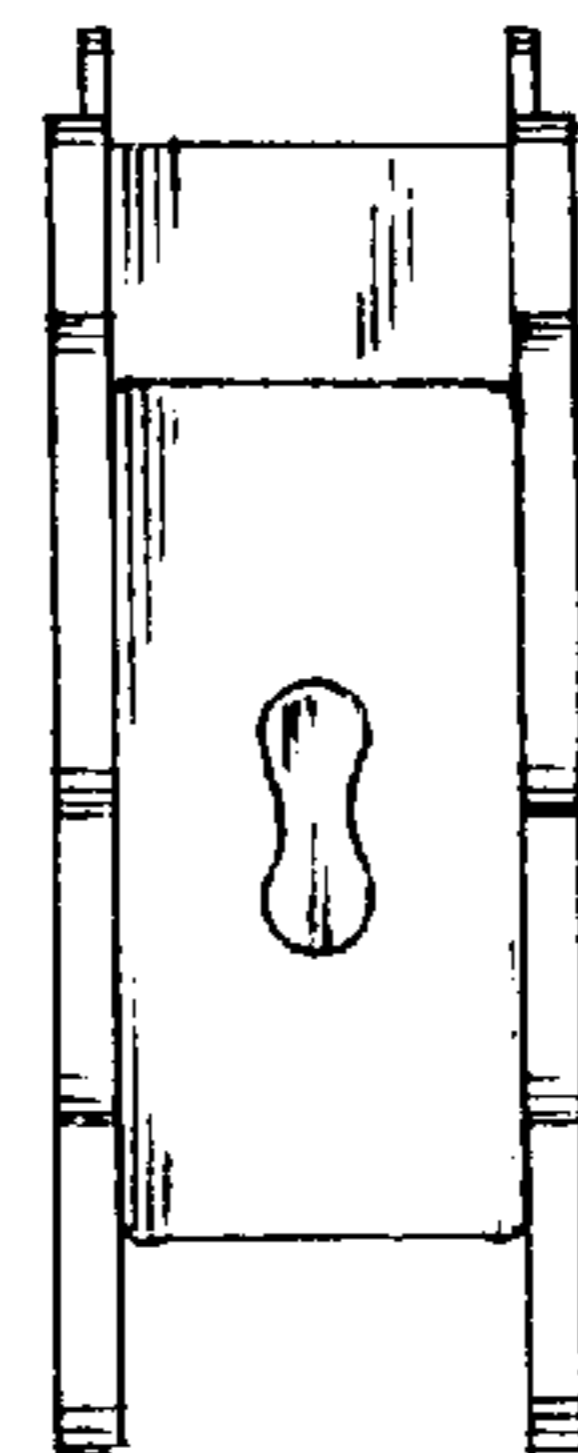


FIG. 11