



US00D459050S

(12) **United States Design Patent**
Meyer

(10) **Patent No.:** **US D459,050 S**

(45) **Date of Patent:** **** Jun. 18, 2002**

(54) **SKID FOR SUPPORTING OBJECTS**

(76) **Inventor:** **Paul Meyer**, 942 Kenston Dr., Clayton,
CA (US) 94517

(**) **Term:** **14 Years**

(21) **Appl. No.:** **29/138,580**

(22) **Filed:** **Mar. 14, 2001**

(51) **LOC (7) Cl.** **09-08**

(52) **U.S. Cl.** **D34/38**

(58) **Field of Search** D34/28, 38; 188/56.3,
188/51.1, 51, 902, 901, 53.3, 54.1, 55.3,
57.1; D9/455, 456

(56) **References Cited**

U.S. PATENT DOCUMENTS

3,702,100	A	*	11/1972	Wharton	108/53.3
4,240,360	A	*	12/1980	Sanders et al.	108/53.3
4,413,737	A	*	11/1983	Wind	108/53.3
D315,240	S	*	3/1991	Sahm, Jr.	D34/38
5,497,709	A	*	3/1996	Gonzalez et al.	108/55.3
D377,556	S	*	1/1997	Sadr	D34/38
D390,316	S	*	2/1998	Smith	D34/38
D400,681	S	*	11/1998	Sadr	D34/38
D403,830	S	*	1/1999	Apps et al.	D34/38

D404,180	S	*	1/1999	Apps et al.	D34/38
D407,178	S	*	3/1999	Evans	D34/38
D417,539	S	*	12/1999	Koskinen	D34/38
D417,765	S	*	12/1999	Morello	D34/38
D434,509	S	*	11/2000	Oliver et al.	D34/38 X
D436,709	S	*	1/2001	Lux, Jr.	D34/38
D443,969	S	*	6/2001	Apps	D34/38
D446,900	S	*	8/2001	Koefeldt et al.	D34/38

* cited by examiner

Primary Examiner—Cynthia E. Ramirez

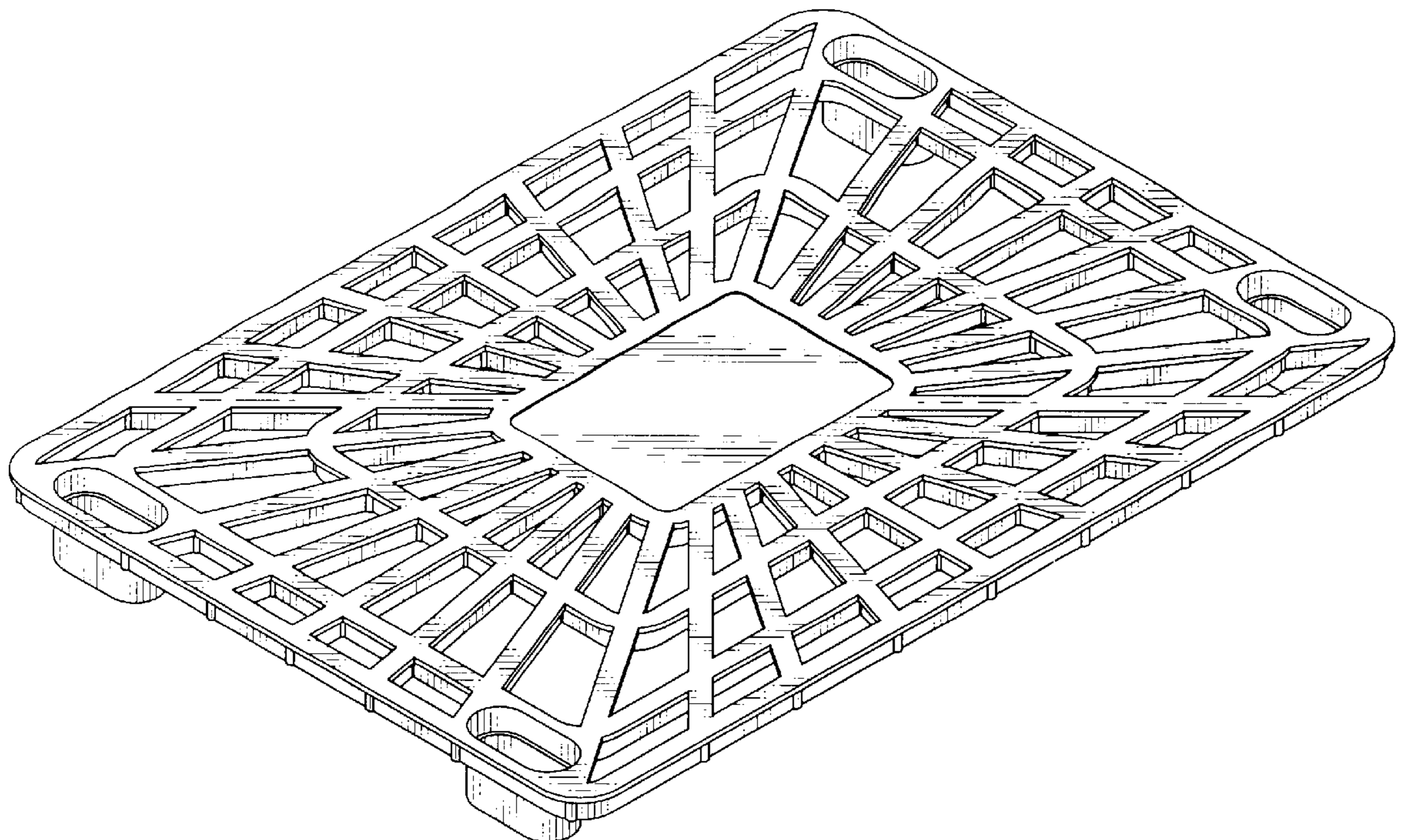
(57) **CLAIM**

The ornamental design for skid for supporting objects, as shown and described.

DESCRIPTION

FIG. 1 is a top perspective view of skid for supporting objects showing our design;
 FIG. 2 is a bottom perspective view thereof;
 FIG. 3 is a left side view thereof, the right side view being a mirror image thereof;
 FIG. 4 is a top plan view thereof;
 FIG. 5 is a front elevation view thereof, the rear elevation view being a mirror image thereof; and,
 FIG. 6 is a bottom plan view thereof.

1 Claim, 2 Drawing Sheets



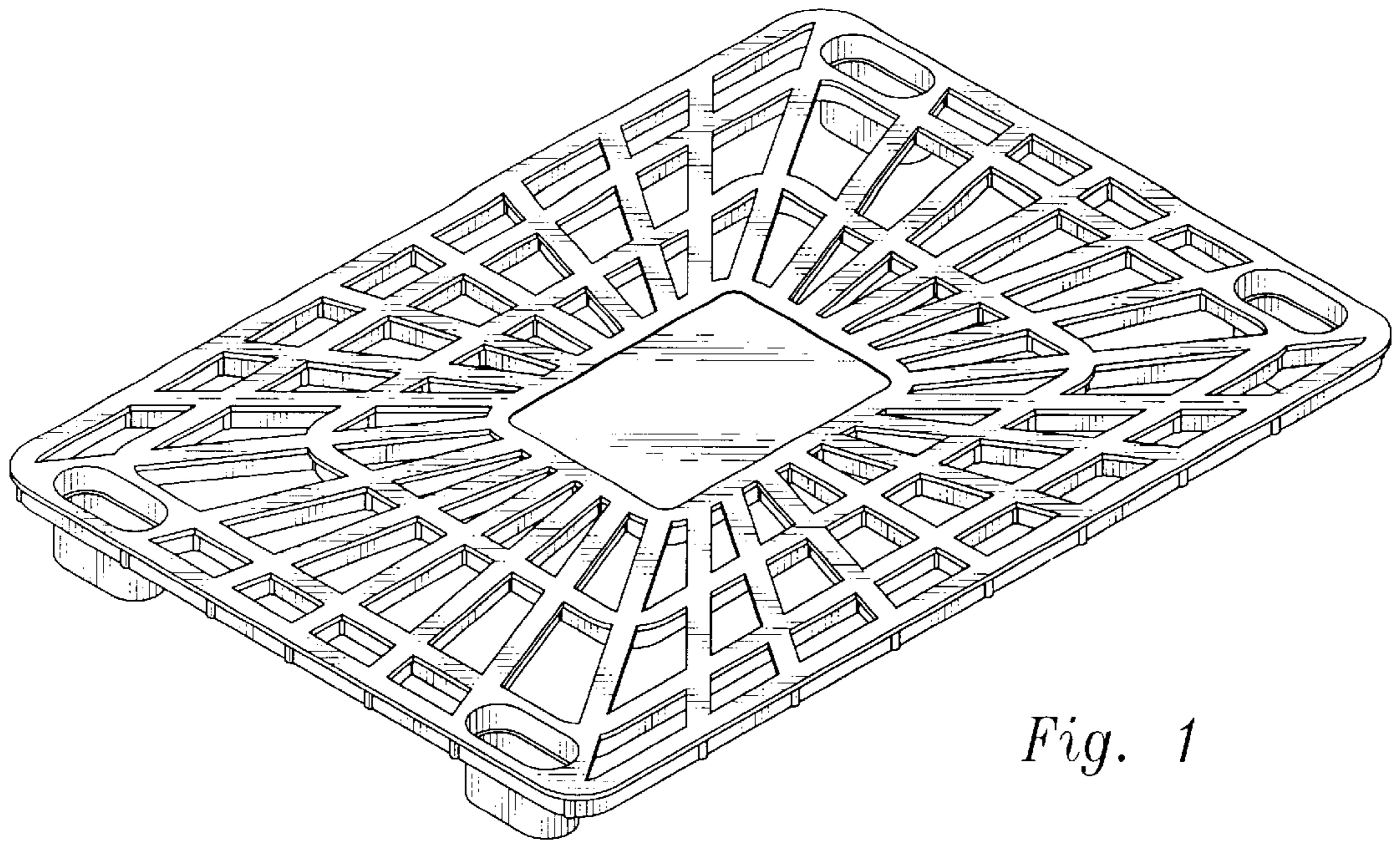


Fig. 1

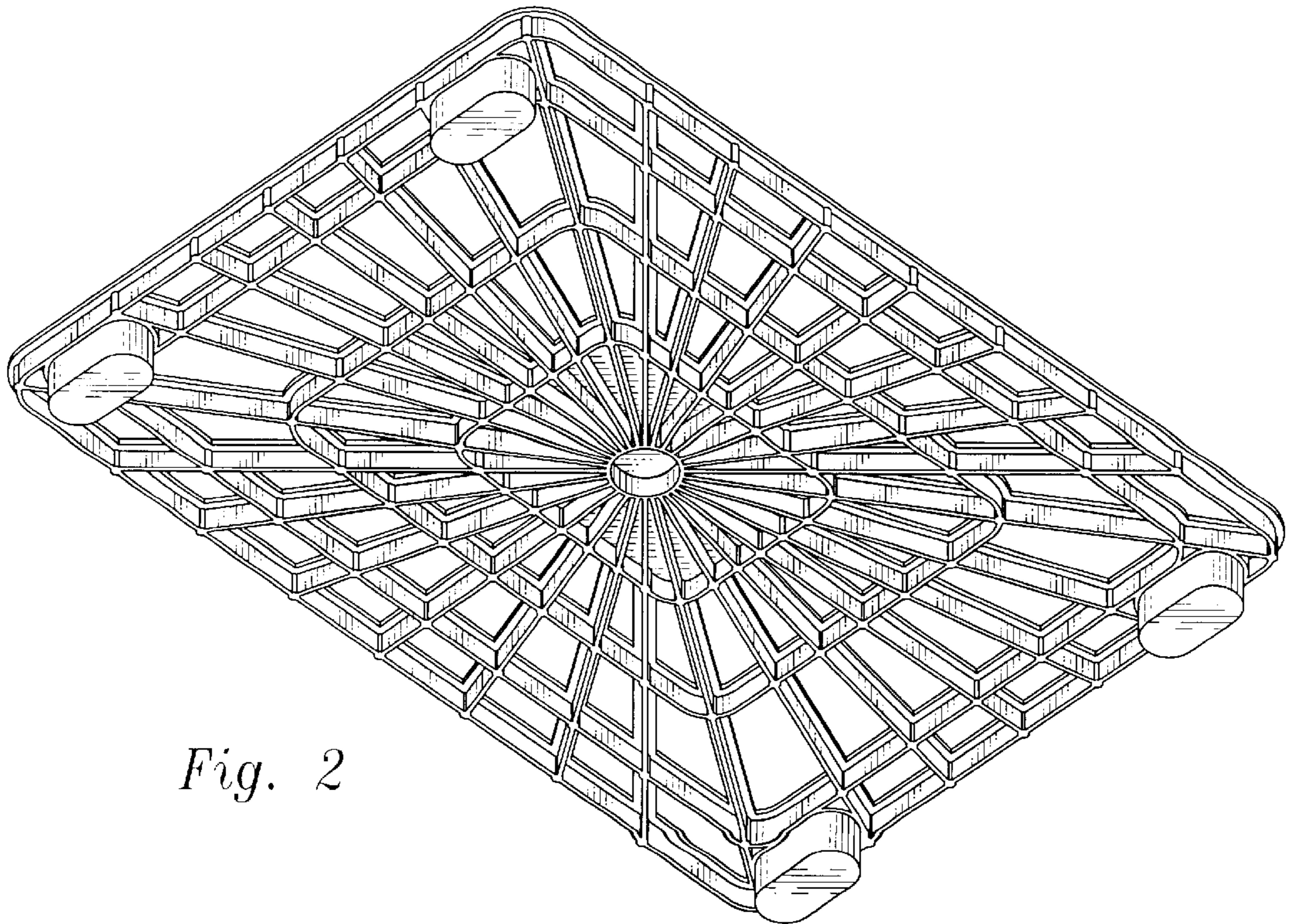


Fig. 2

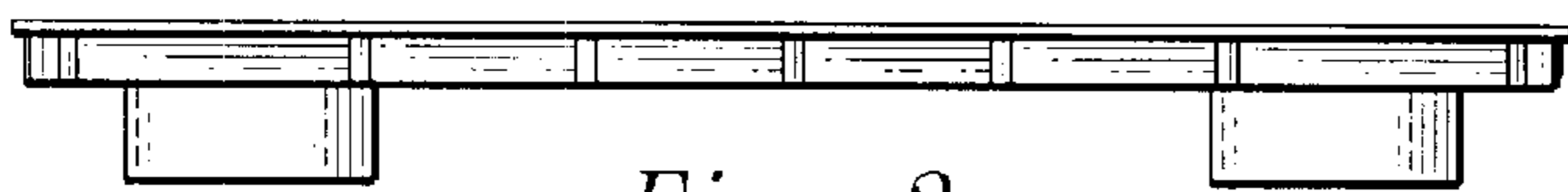


Fig. 3

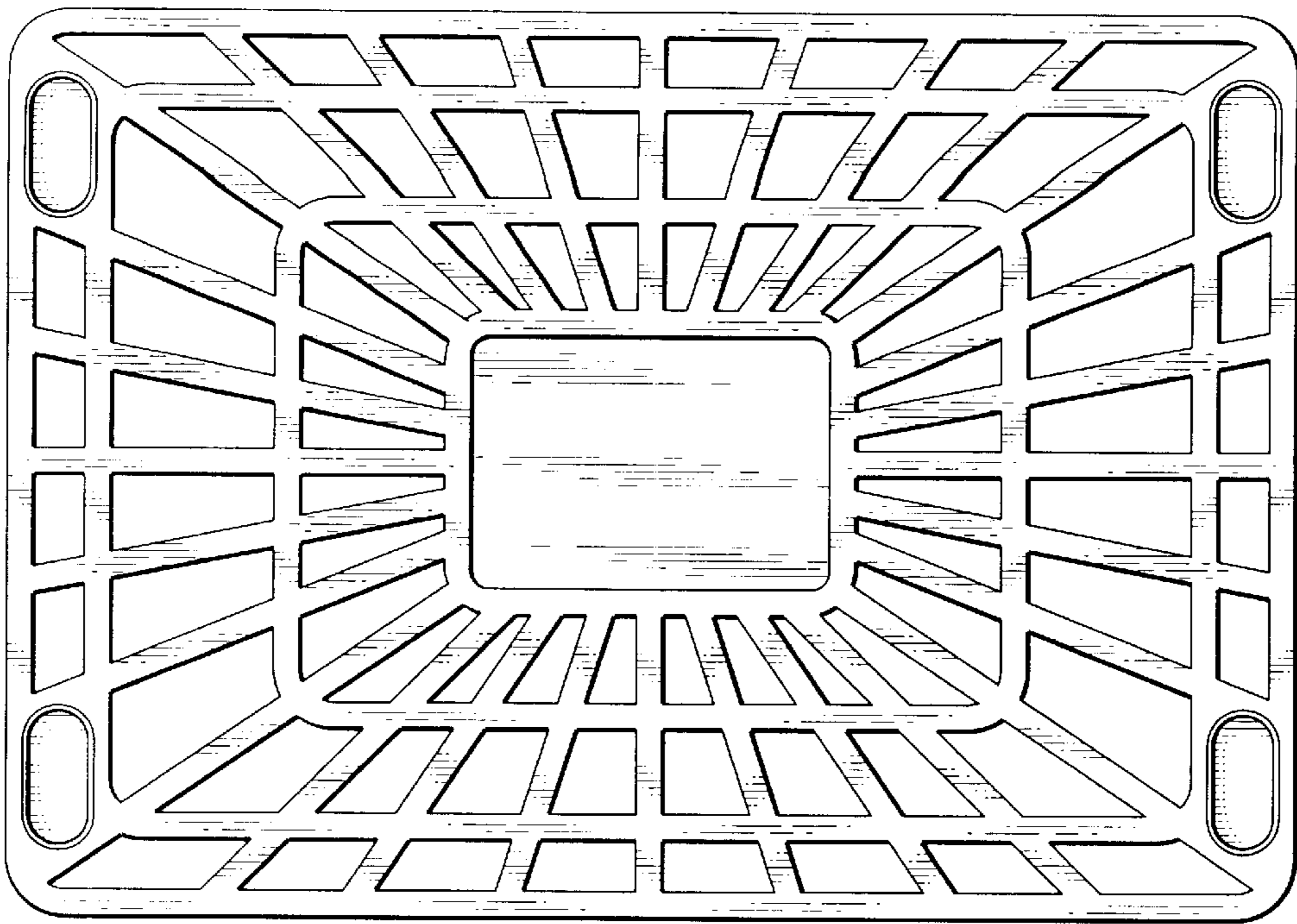


Fig. 4



Fig. 5

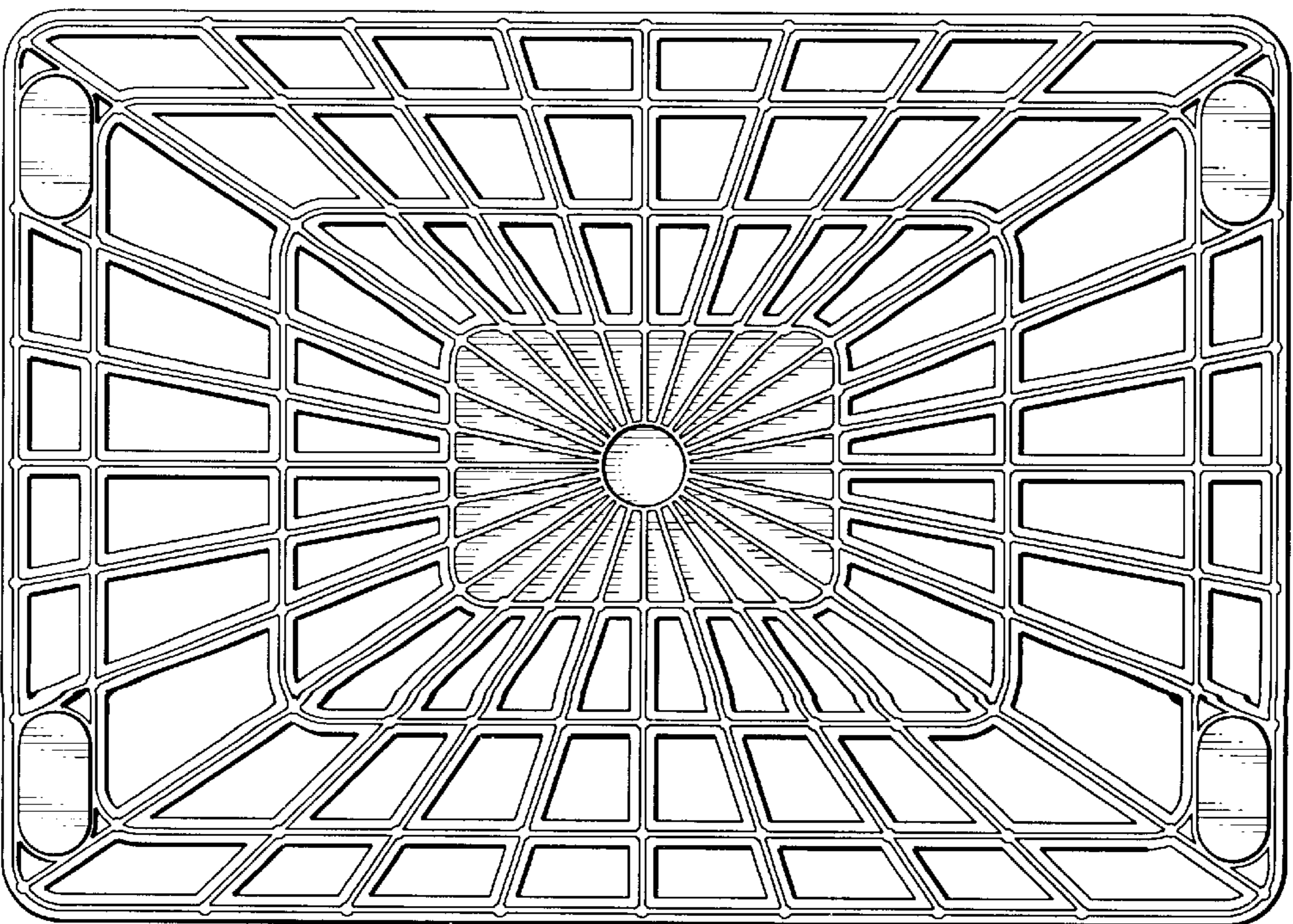


Fig. 6