



US00D459049S

(12) **United States Design Patent**
Apps et al.

(10) **Patent No.:** **US D459,049 S**

(45) **Date of Patent:** **** Jun. 18, 2002**

(54) **TOP FRAME**

(75) Inventors: **William P. Apps**, Alpharetta, GA (US);
Gabriel A. Guerra, Walnut, CA (US);
Charles N. Stanley, Colleyville, TX
(US)

(73) Assignee: **Rehrig Pacific Company**, Los Angeles,
CA (US)

(**) Term: **14 Years**

(21) Appl. No.: **29/121,521**

(22) Filed: **Apr. 8, 2000**

(51) **LOC (7) Cl.** **09-08**

(52) **U.S. Cl.** **D34/38**

(58) **Field of Search** 108/51.1, 54.1,
108/51.11; 206/453, 586, 386, 593, 594,
597; D34/38

(56) **References Cited**

U.S. PATENT DOCUMENTS

2,762,551	A	*	9/1956	Fallert	108/51.1
D229,042	S	*	11/1973	Melnick et al.	D34/38
4,838,418	A	*	6/1989	Teixeira	206/453
4,989,731	A	*	2/1991	Shuert	206/597
5,160,029	A		11/1992	Pigott et al.	
RE35,875	E	*	8/1998	Shuert	108/55.1
5,829,364	A	*	11/1998	Urbach	108/56.1
D404,180	S	*	1/1999	Apps et al.	D34/38
D407,178	S	*	3/1999	Evans	D34/38
D417,765	S	*	12/1999	Morello	D34/38
D434,509	S	*	11/2000	Oliver et al.	D34/38 X
6,283,044	B1		9/2001	Apps	

FOREIGN PATENT DOCUMENTS

EP WO99/58420 11/1999

OTHER PUBLICATIONS

Grocery Distribution Magazine, Ad, Jul./Aug. 1999, p. 11.
EPC Loudon Brochure "Plastic Pallets for the Beverage Industry" dated Apr. 1997 (bottom of page 3).

* cited by examiner

Primary Examiner—Cynthia E. Ramirez

(57) **CLAIM**

The ornamental design for a top frame, as shown and described.

DESCRIPTION

FIG. 1 is a perspective view of a first embodiment of a top frame according to the present invention;

FIG. 2 is a top plan view thereof, the bottom plan view being a mirror image thereof;

FIG. 3 is a front elevational view thereof, the rear elevational view being a mirror image thereof;

FIG. 4 is a left side elevational view thereof, the right side elevational view being a mirror image thereof;

FIG. 5 is a perspective view of a second embodiment of a top frame according to the present invention;

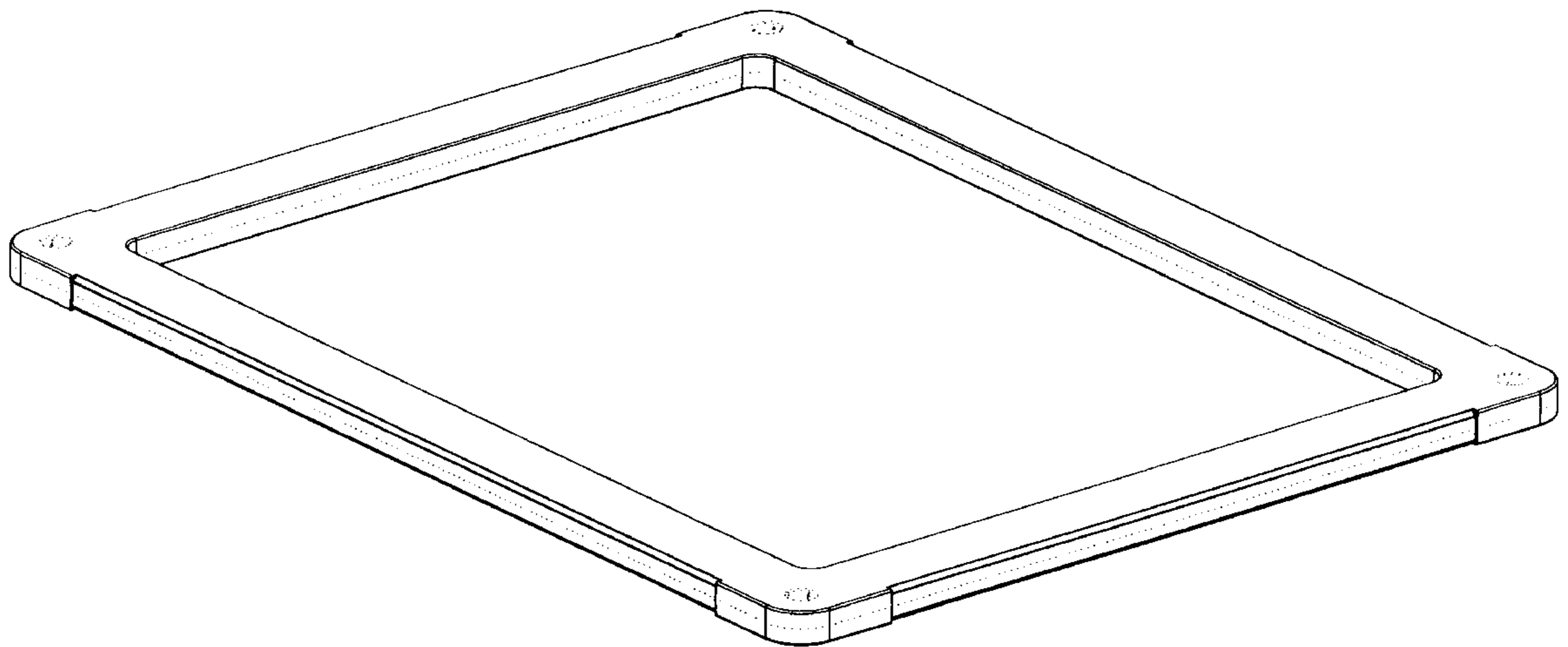
FIG. 6 is a top plan view thereof, the bottom plan view being a mirror image thereof;

FIG. 7 is a front elevational view thereof, the rear elevational view being a mirror image thereof; and,

FIG. 8 is a left side elevational view thereof, the right side elevational view being a mirror image thereof.

The broken lines of FIGS. 1-4 are for illustrative purposes only and form no part of the claimed design.

1 Claim, 8 Drawing Sheets



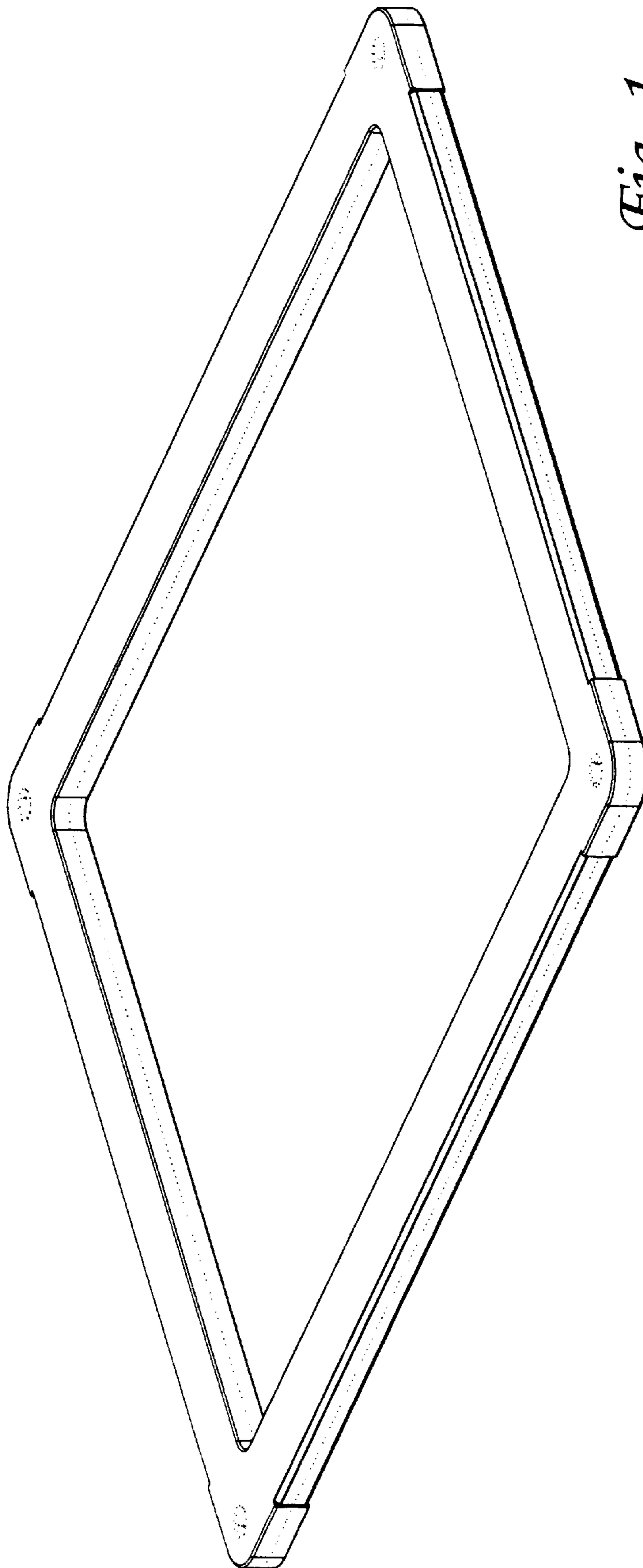


Fig. 1

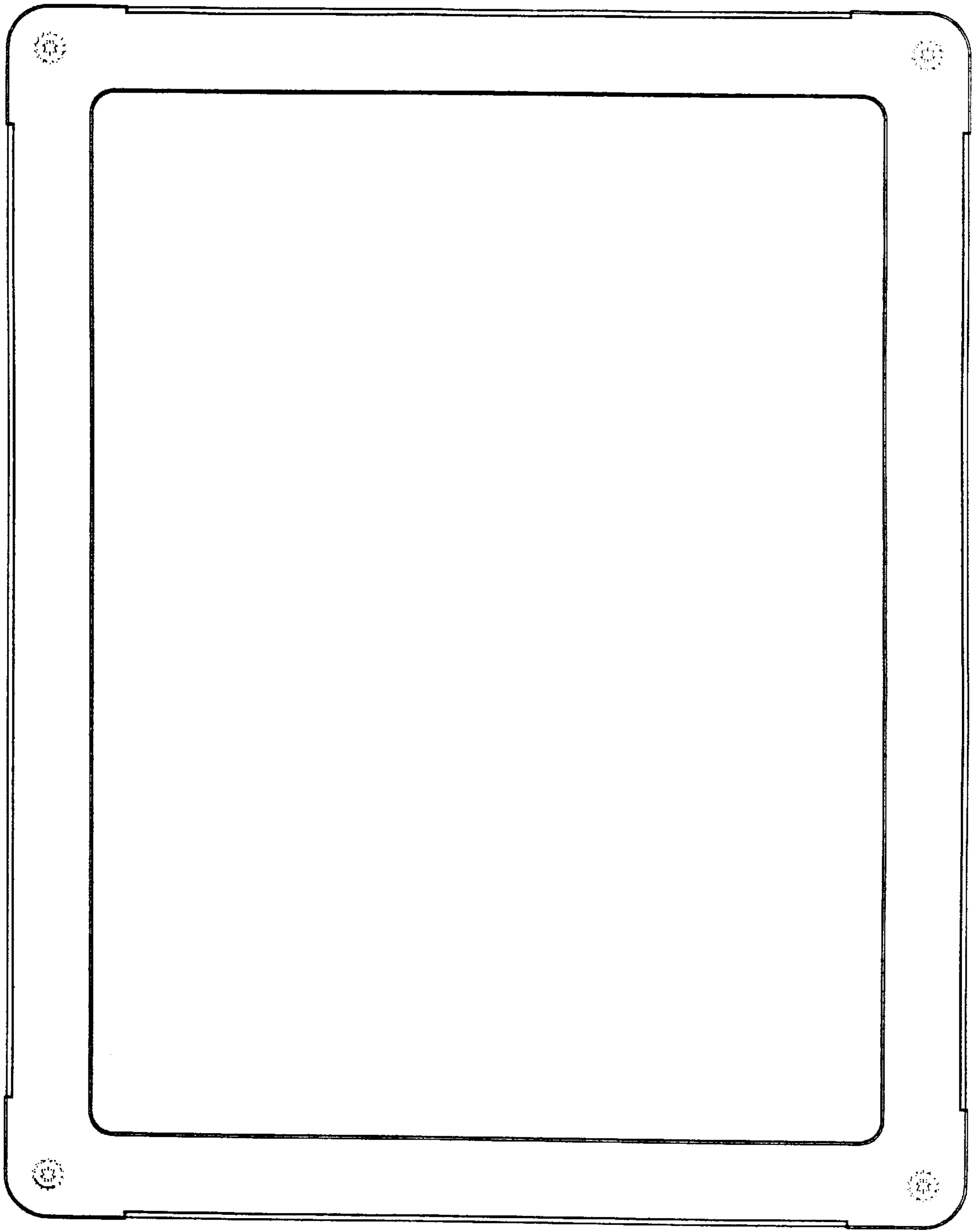


Fig. 2



Fig. 3



Fig. 4

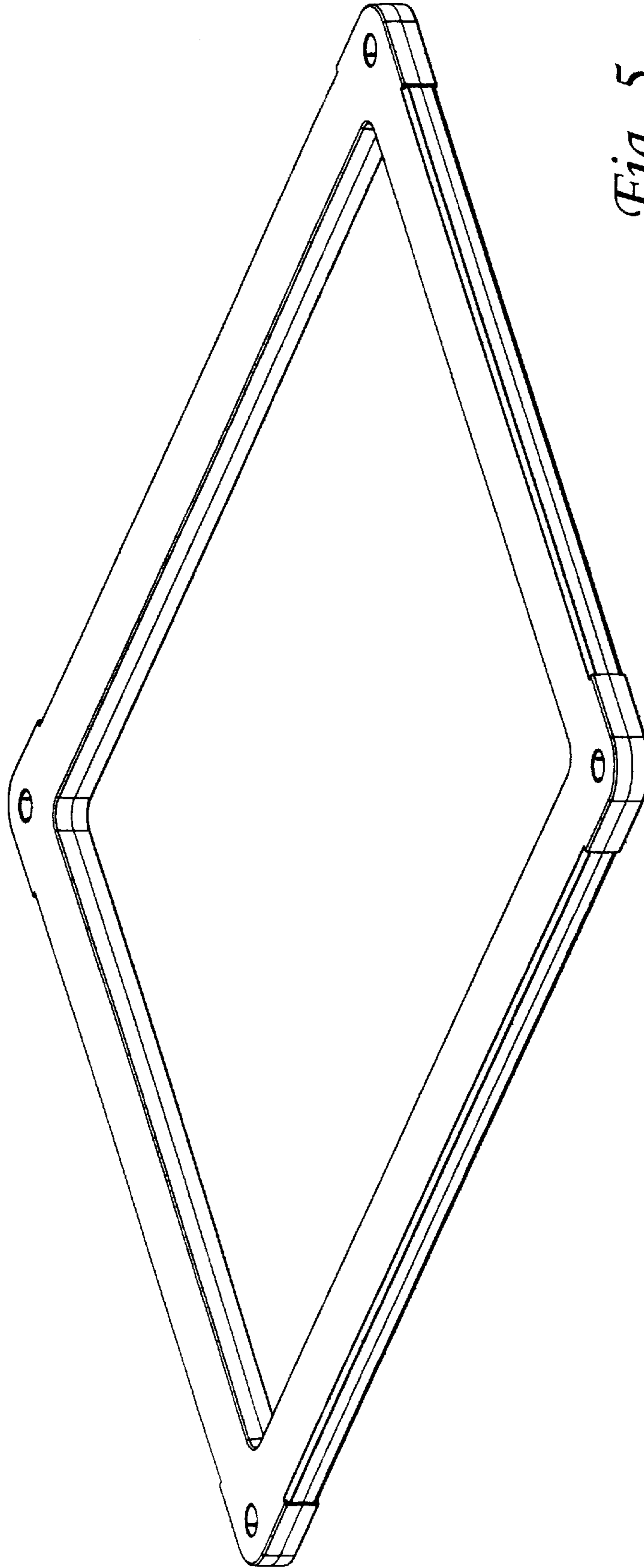


Fig. 5

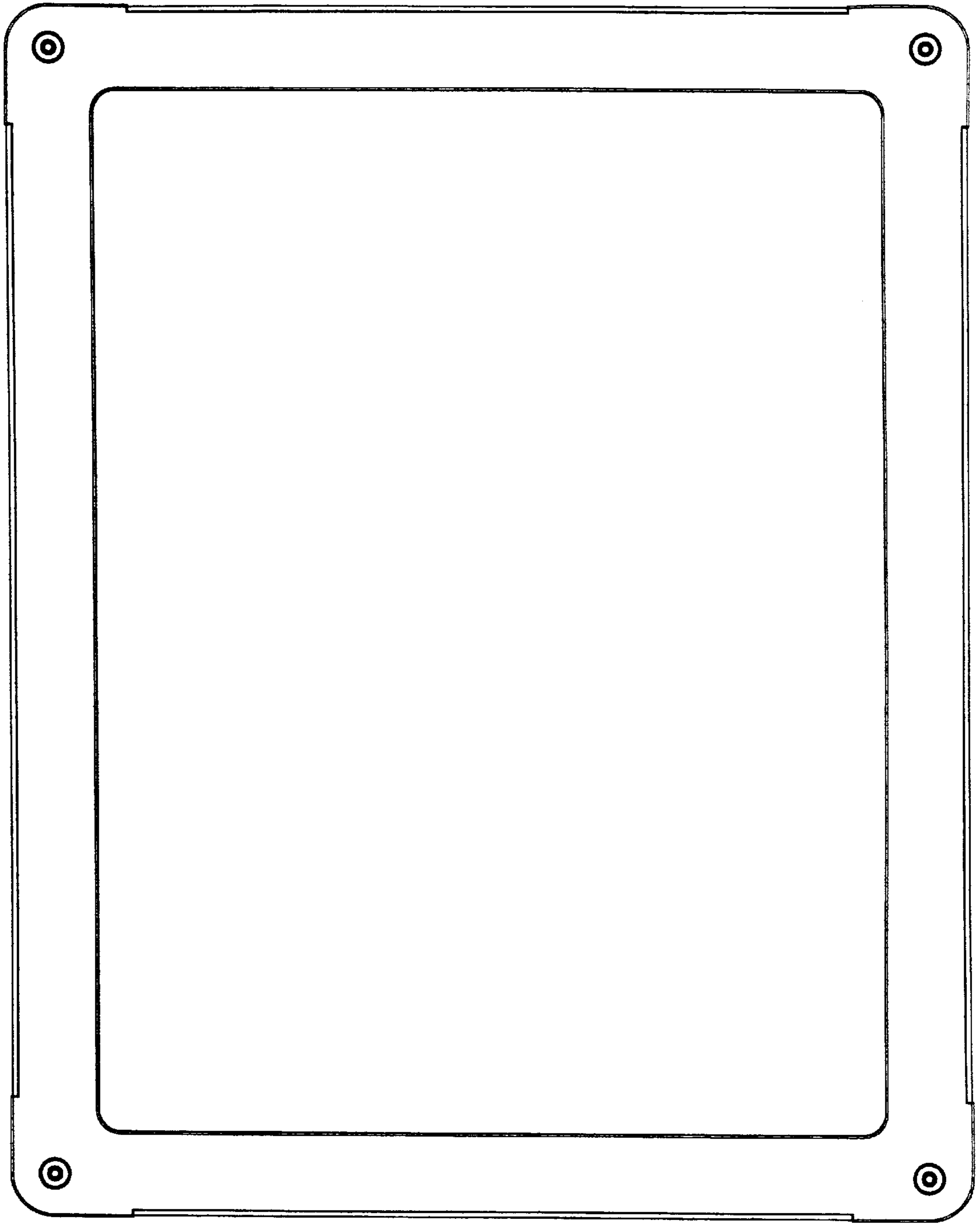


Fig. 6



Fig. 7



Fig. 8