



US00D459048S

(12) **United States Design Patent**
Leemans

(10) **Patent No.:** **US D459,048 S**
(45) **Date of Patent:** **** Jun. 18, 2002**

- (54) **HOIST**
- (75) Inventor: **Hugo Leemans, Asse (BE)**
- (73) Assignee: **Sky Man International, naamloze vennootschap, Boom (BE)**
- (**) Term: **14 Years**
- (21) Appl. No.: **29/136,889**
- (22) Filed: **Feb. 9, 2001**
- (51) **LOC (7) Cl.** **12-05**
- (52) **U.S. Cl.** **D34/33**
- (58) **Field of Search** D34/28, 35, 33;
254/382, 374, 356, 380; D12/162; 294/82.11;
414/467; 280/490.1

- D307,965 S * 5/1990 Eley et al. D34/33
- D309,969 S * 8/1990 Tamura D34/33
- 5,002,259 A * 3/1991 Manning et al. 254/380
- D327,355 S * 6/1992 Nordenberg D34/33
- 5,170,995 A * 12/1992 Bitsch et al. 254/380
- D348,758 S * 7/1994 Lichtenvort D34/33
- D364,027 S * 11/1995 Hung D34/33
- D411,364 S * 6/1999 Sasaki et al. D34/33
- D438,358 S * 2/2001 Huang D34/33
- D439,722 S * 3/2001 Huang D34/33

* cited by examiner

Primary Examiner—Cynthia E. Ramirez
(74) *Attorney, Agent, or Firm*—Bacon & Thomas, PLLC

(57) **CLAIM**

The ornamental design for a hoist, as shown.

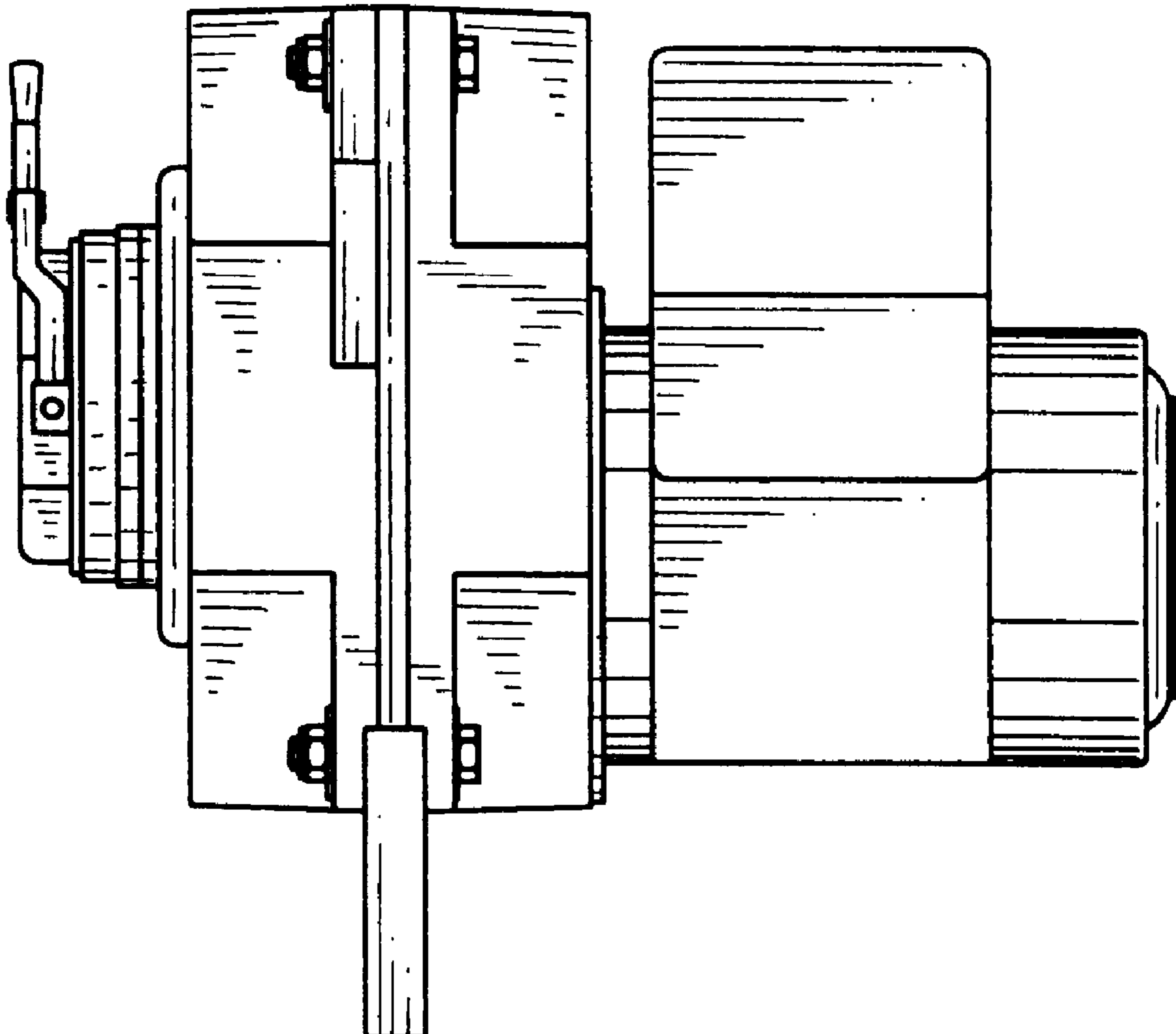
DESCRIPTION

FIG. 1 is an elevational front view of the hoist;
FIG. 2 is an elevational right side view thereof;
FIG. 3 is an elevational left side view thereof;
FIG. 4 is an elevational rear view thereof;
FIG. 5 is a top view thereof; and,
FIG. 6 is a bottom view thereof.

1 Claim, 2 Drawing Sheets

(56) **References Cited**
U.S. PATENT DOCUMENTS

- 3,042,375 A * 7/1962 Fahey et al. 254/382
- 3,370,832 A * 2/1968 Spyridakis 254/374
- 3,380,713 A * 4/1968 Quayle 254/382
- D238,861 S * 2/1976 Cavalleri D34/33
- 4,434,974 A * 3/1984 LaCount 254/380
- 4,605,111 A * 8/1986 Ohno et al. 254/380



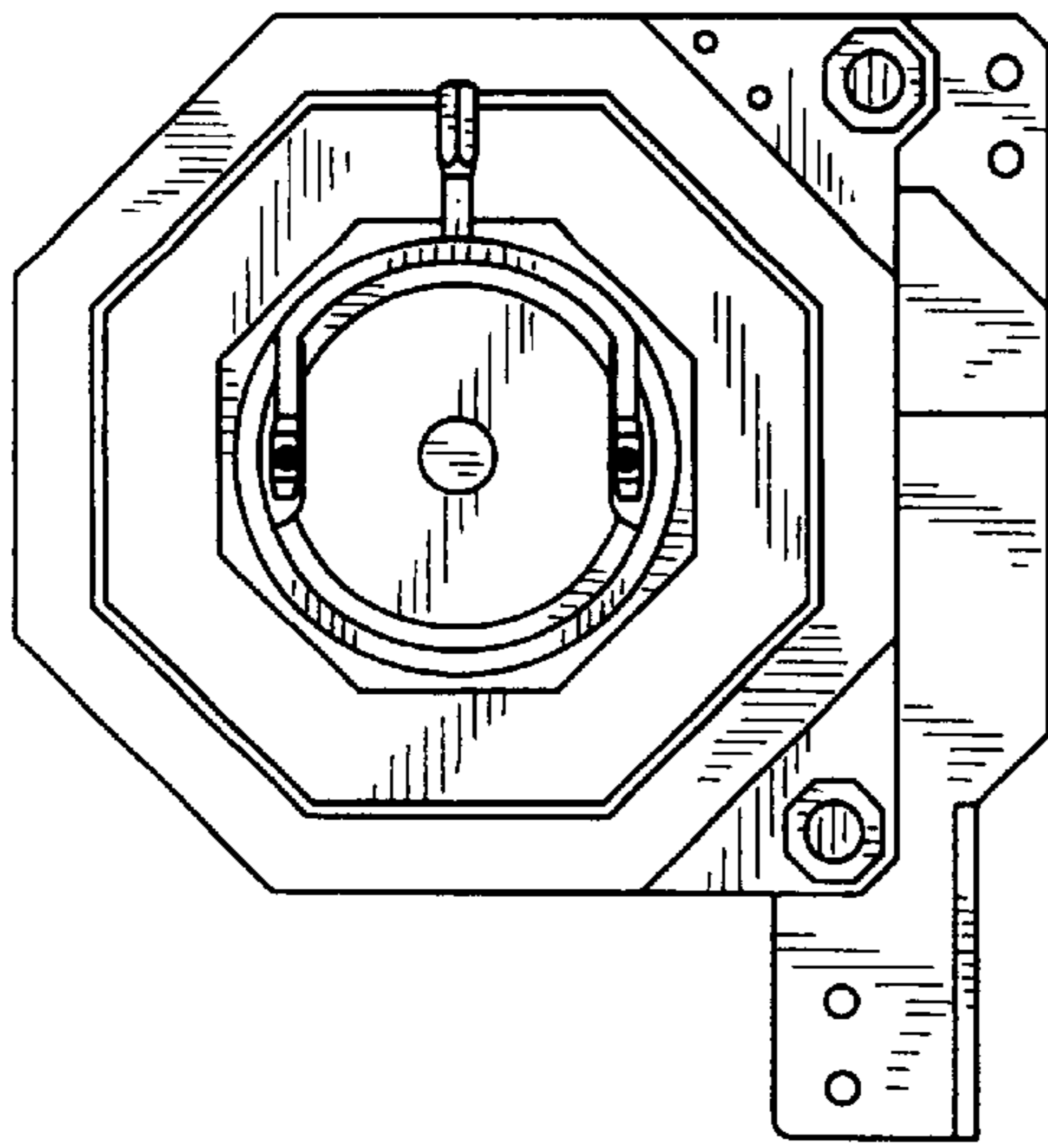


Fig. 1

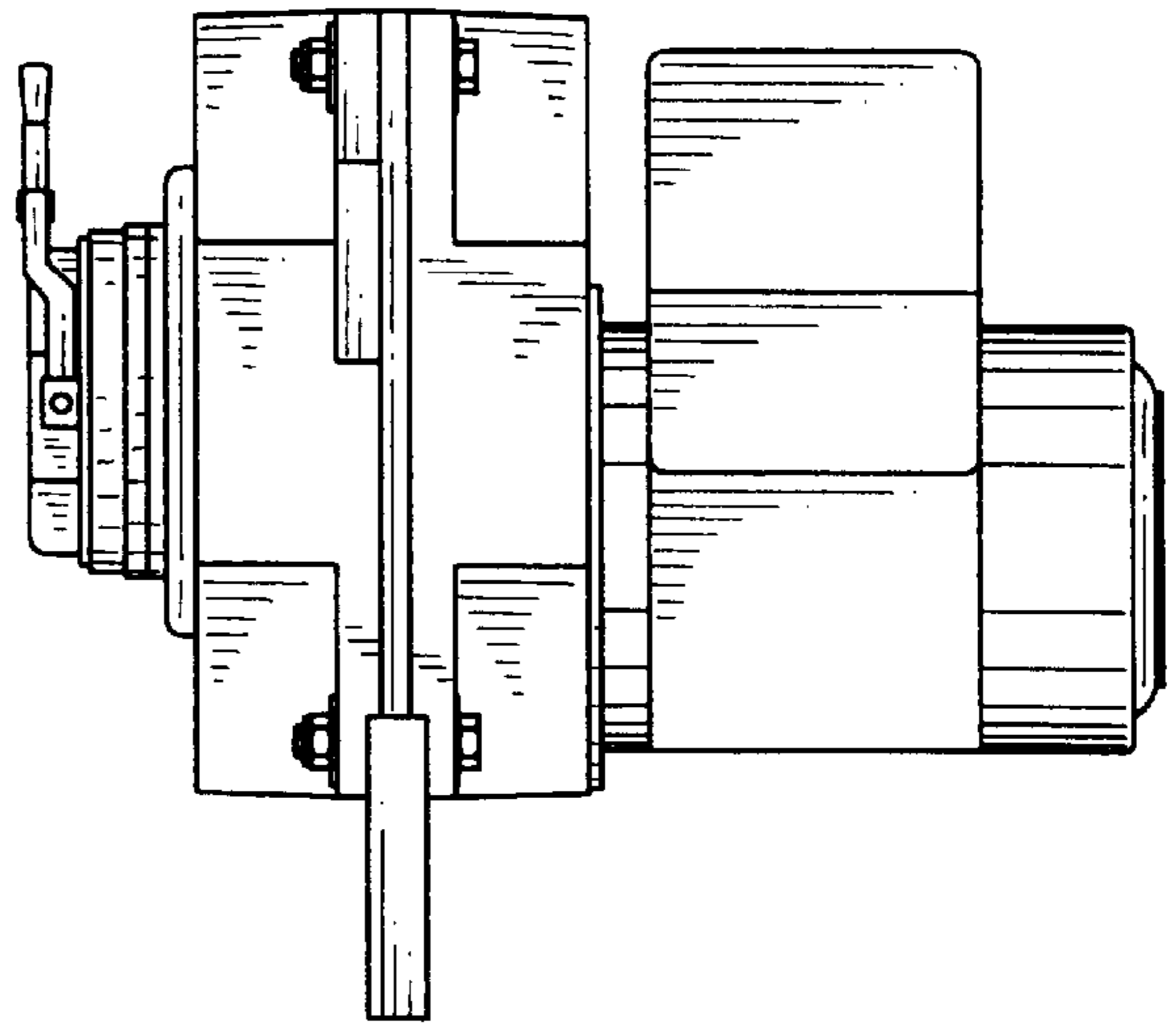


Fig. 2

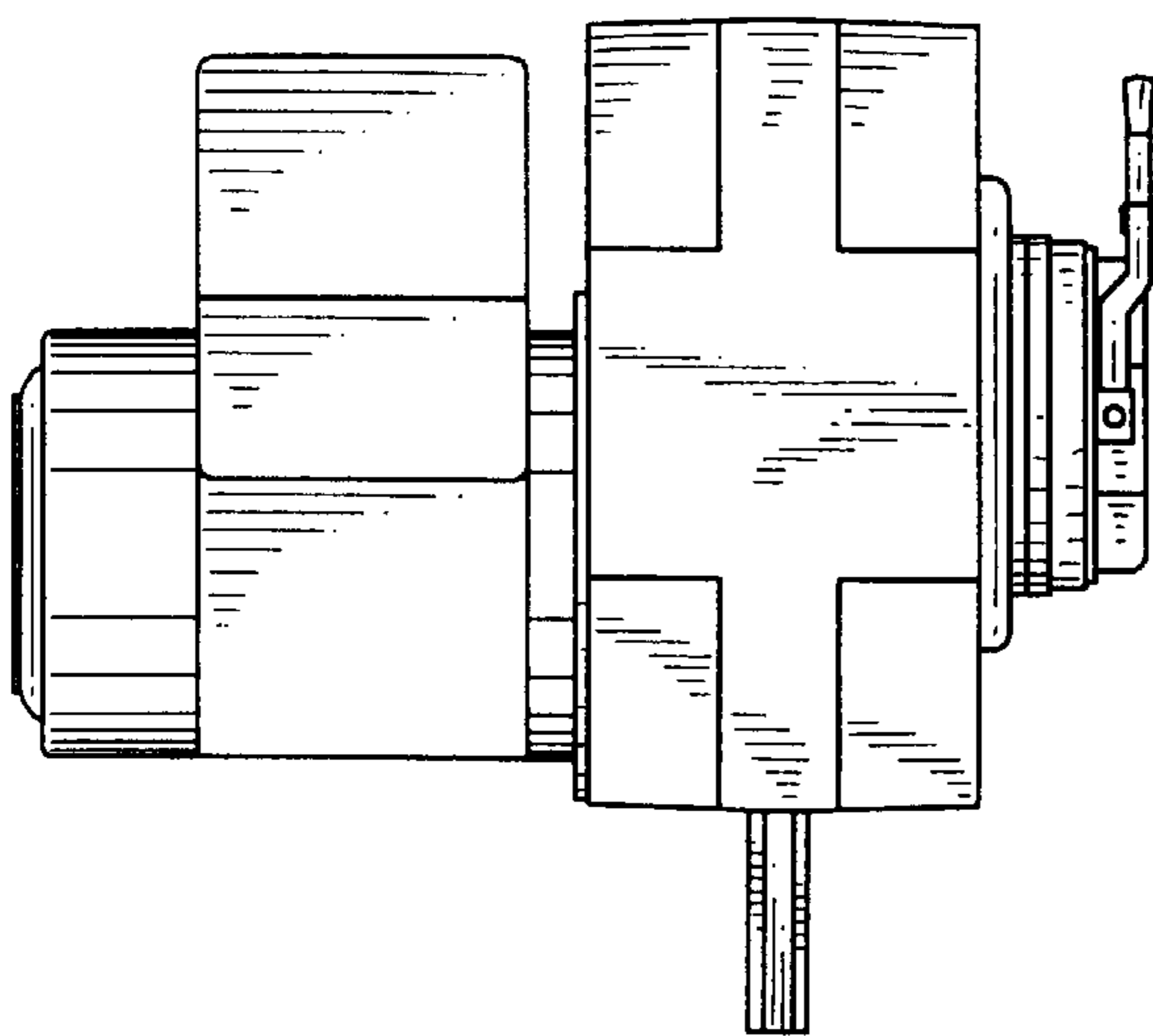


Fig. 3

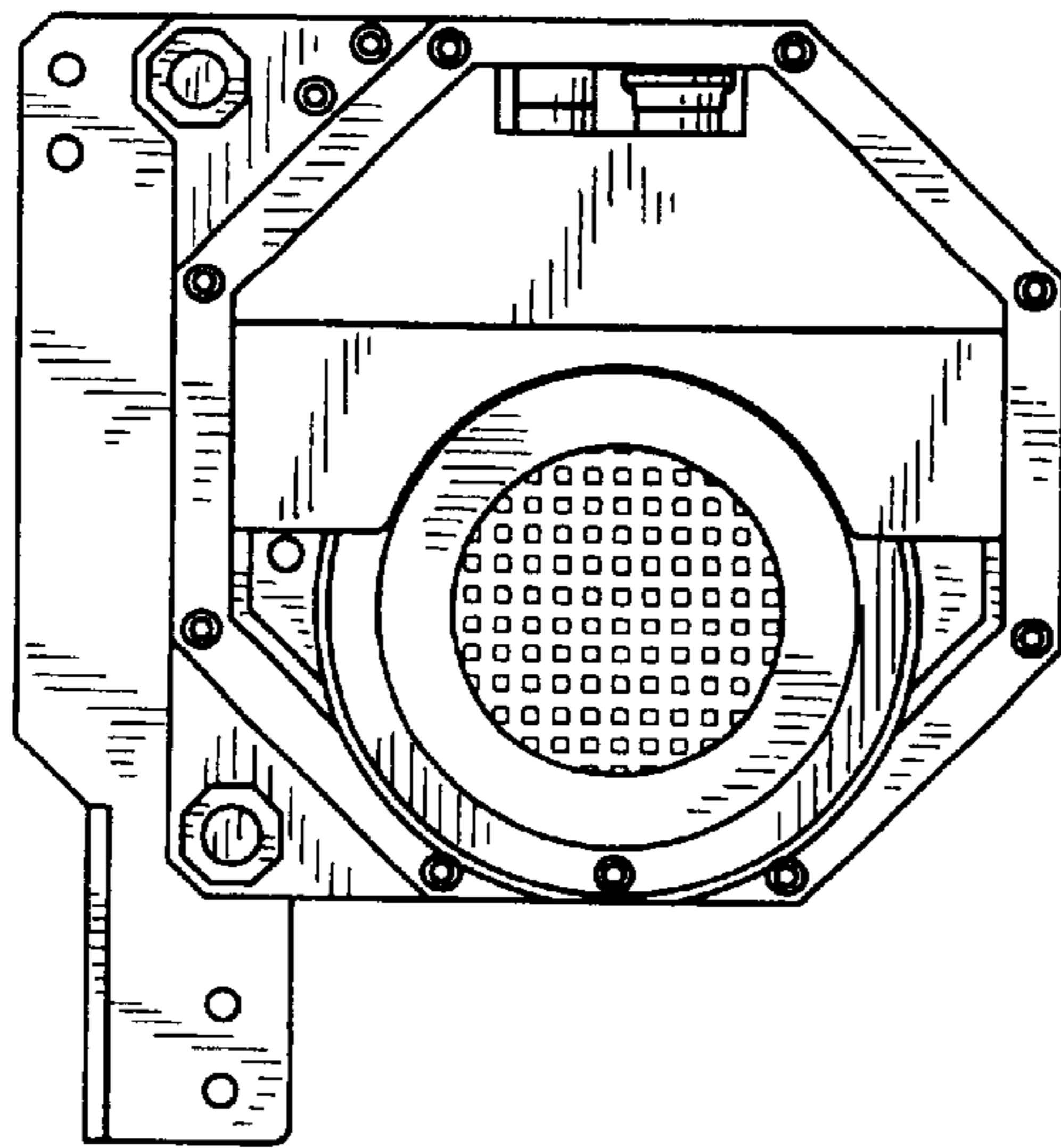


Fig. 4

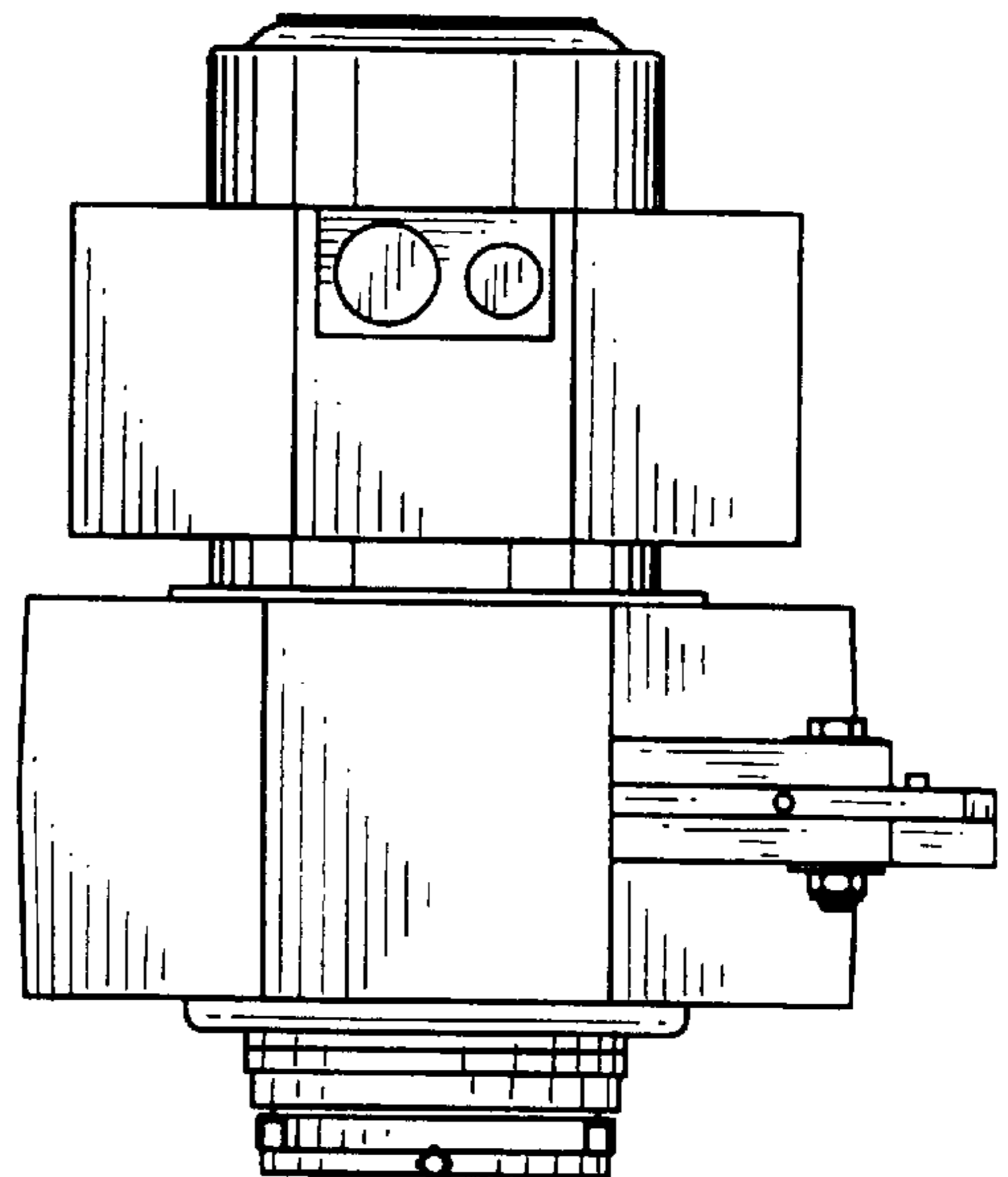


Fig. 5

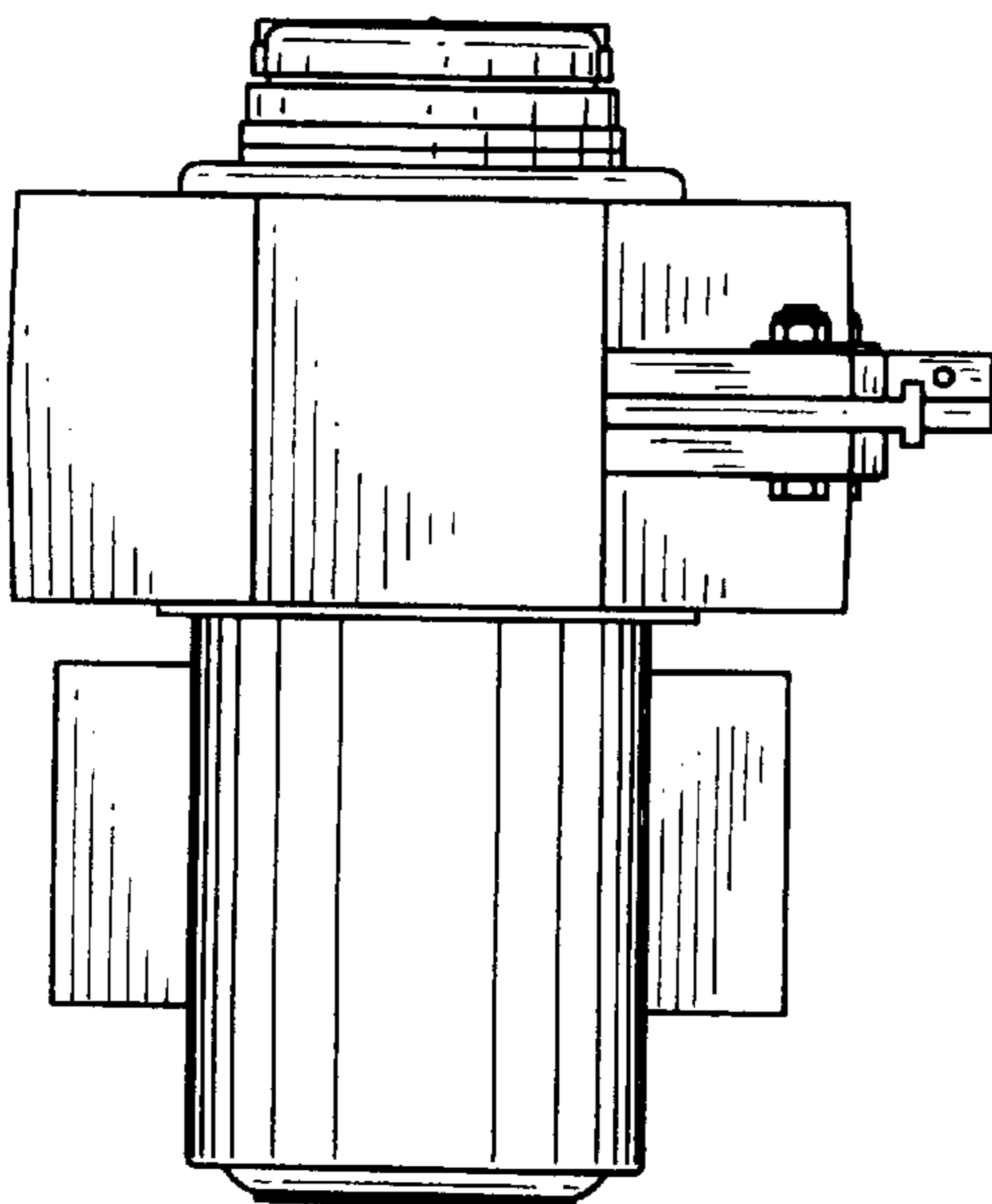


Fig. 6