



US00D459047S

(12) **United States Design Patent**
Tanaka

(10) **Patent No.:** **US D459,047 S**

(45) **Date of Patent:** **** Jun. 18, 2002**

(54) **CHUCK FOR LIFTING STEEL METAL**

(75) Inventor: **Kazuhiko Tanaka, Osaka (JP)**

(73) Assignee: **Taiyo Ltd., Osaka (JP)**

(**) Term: **14 Years**

(21) Appl. No.: **29/131,402**

(22) Filed: **Oct. 23, 2000**

(30) **Foreign Application Priority Data**

Oct. 2, 2000 (JP) 2000-027806

(51) **LOC (7) Cl.** **12-05**

(52) **U.S. Cl.** **D34/28; D34/35**

(58) **Field of Search** D8/14, 21, 28,
D8/54; D34/35, 29, 28; 81/488, 119, 121.1,
901, 480

(56) **References Cited**

U.S. PATENT DOCUMENTS

813,384 A *	2/1906	Kiefer	81/488
1,455,878 A *	5/1923	Grinnell	81/488
1,635,259 A *	7/1927	Critchley	81/119
2,350,565 A *	6/1944	Mills	81/488
3,119,597 A *	1/1964	Stephens	254/423
4,031,603 A *	6/1977	Shultz	81/119
D323,273 S *	1/1992	Davis	D8/14
D328,701 S *	8/1992	Warnecke	D8/14

D329,112 S *	9/1992	Silbersky et al.	D34/28
D333,902 S *	3/1993	Cunningham	D34/28
D355,519 S *	2/1995	Crawford	D34/35
D361,250 S *	8/1995	Heinrich	D8/54
D376,520 S *	12/1996	Morin	D8/14
D389,975 S *	1/1998	Andrews et al.	D34/28
6,330,846 B1 *	12/2001	Strauch	81/480

* cited by examiner

Primary Examiner—Cynthia E. Ramirez

(74) *Attorney, Agent, or Firm*—Sterne, Kessler, Goldstein & Fox P.L.L.C.

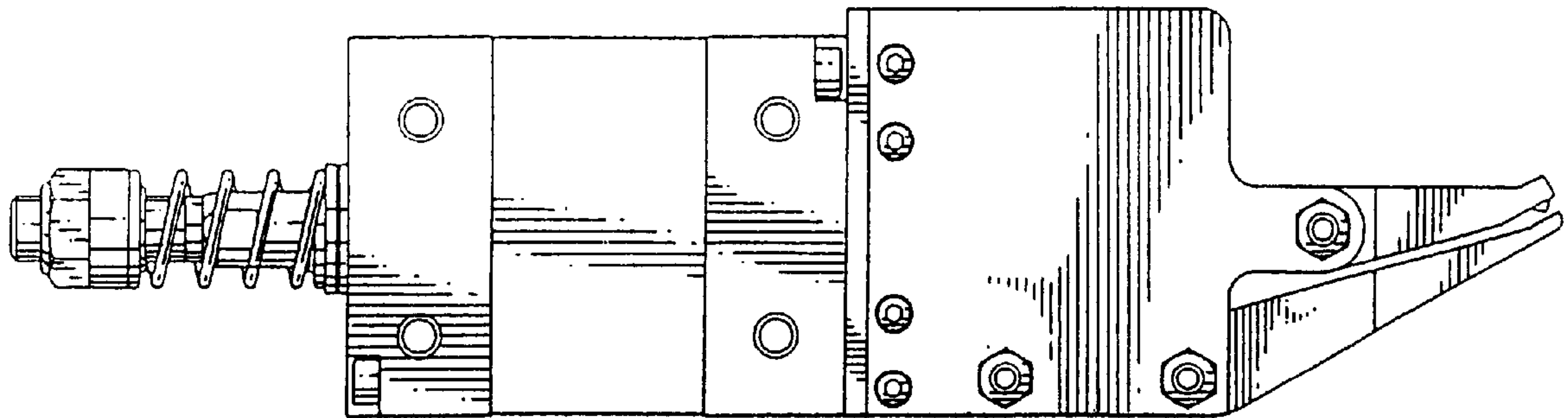
(57) **CLAIM**

The ornamental design for a chuck for lifting steel metal, as shown and described.

DESCRIPTION

FIG. 1 is a left side view of a chuck for lifting steel metal showing my new design;
 FIG. 2 is a right side view thereof;
 FIG. 3 is a front view thereof;
 FIG. 4 is a rear view thereof;
 FIG. 5 is a top plan view thereof;
 FIG. 6 is a bottom plan view thereof;
 FIG. 7 is a cross-sectional view taken along line A—A in FIG. 3; and,
 FIG. 8 is a cross-sectional view similar to FIG. 7 with the chuck in an alternate position.

1 Claim, 4 Drawing Sheets



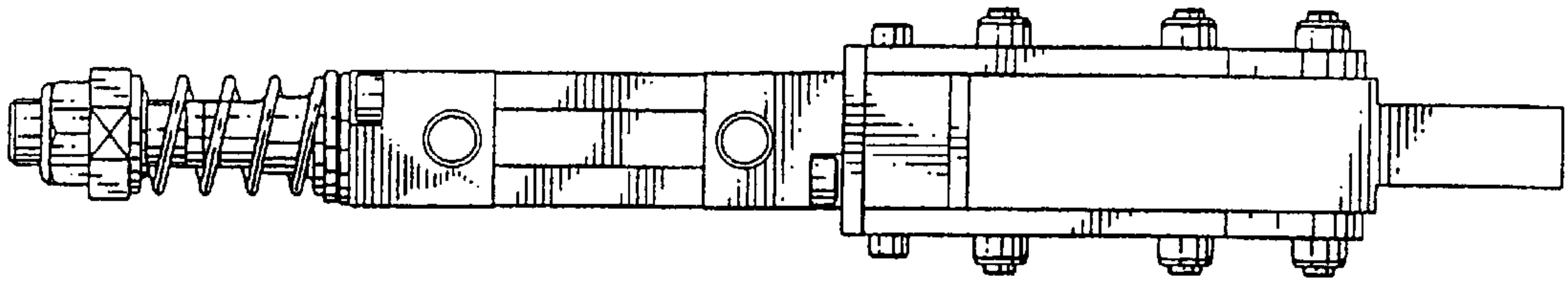


FIG. 1

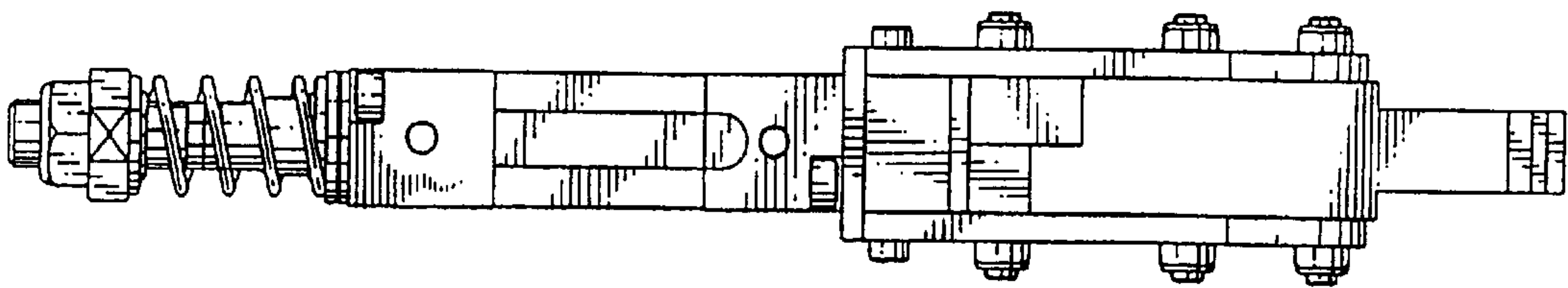


FIG. 2

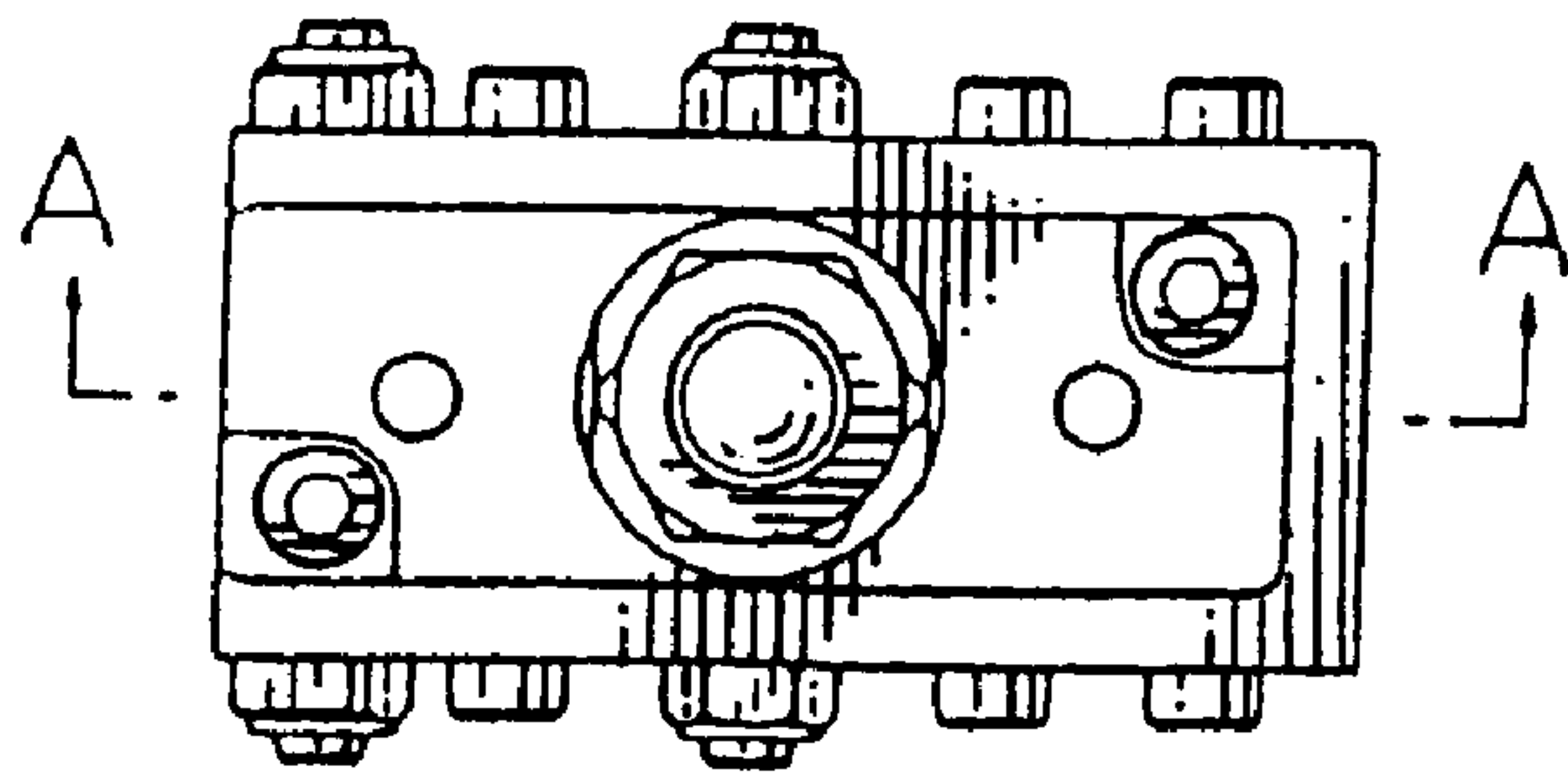


FIG. 3

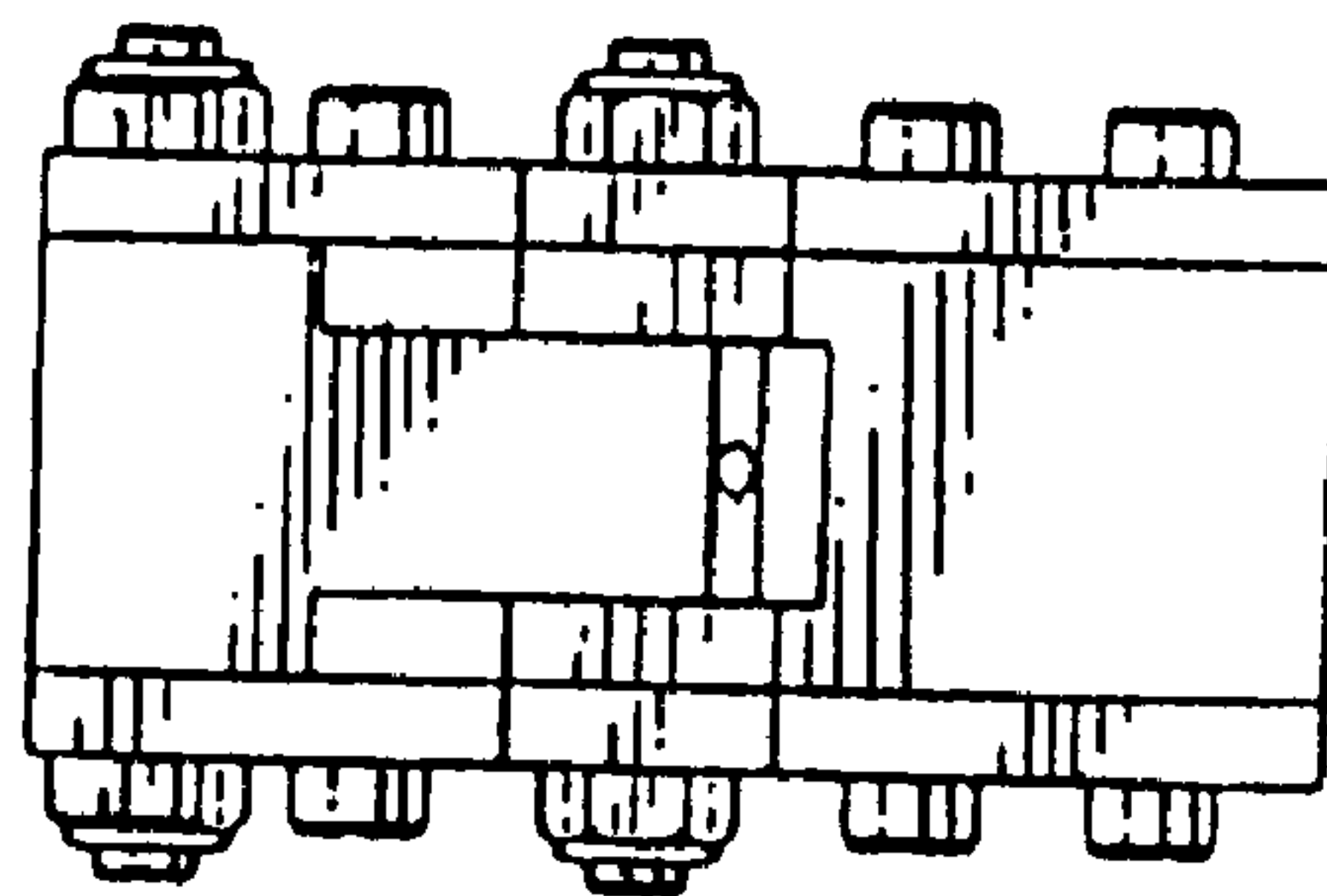


FIG. 4

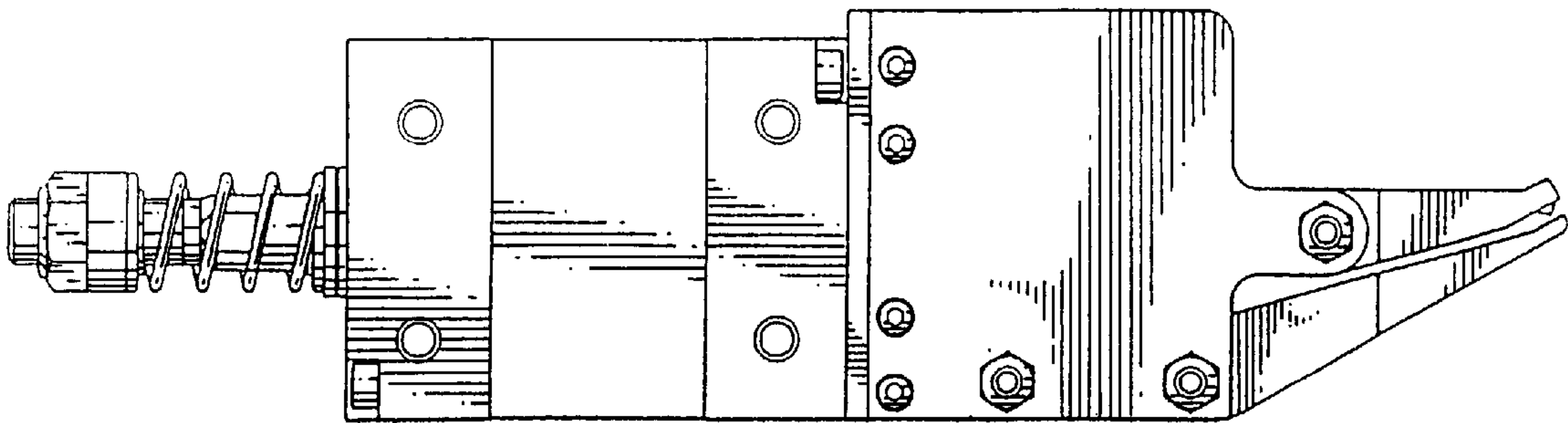


FIG. 5

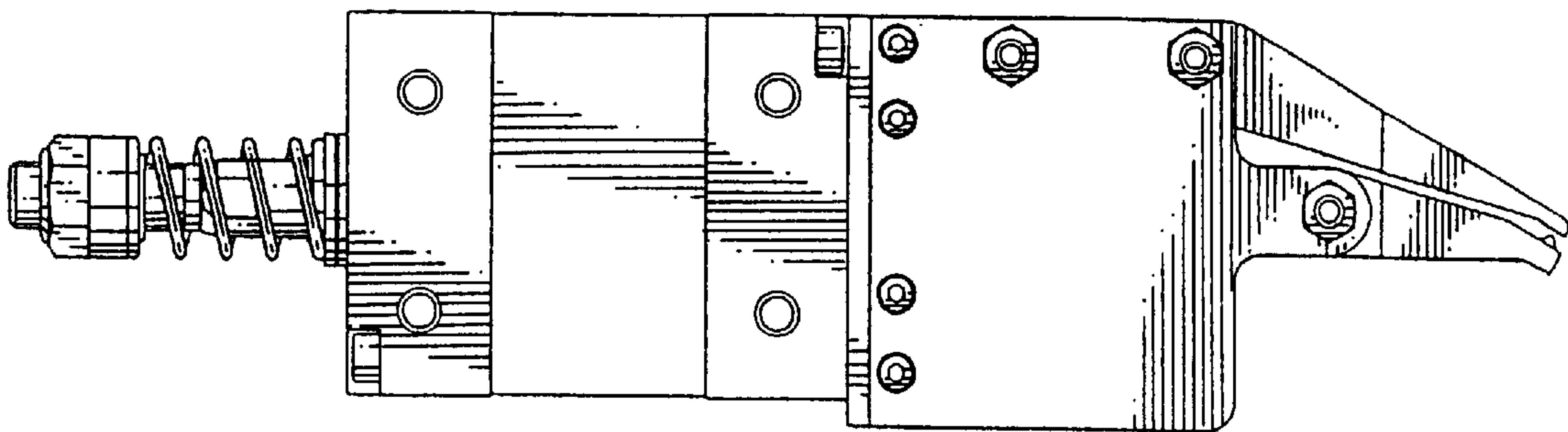


FIG. 6

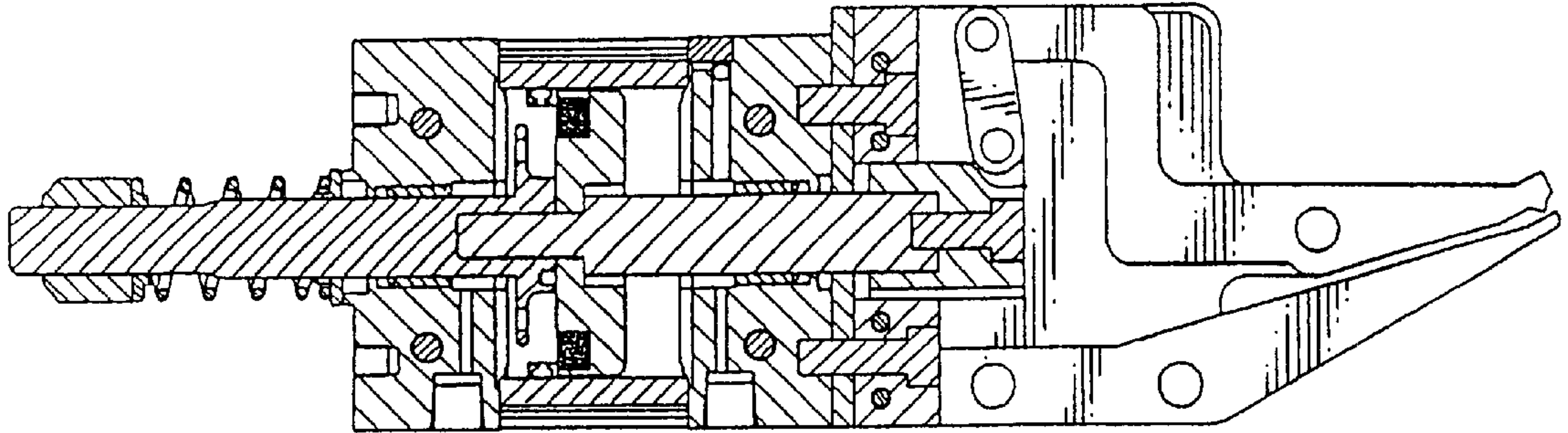


FIG. 7

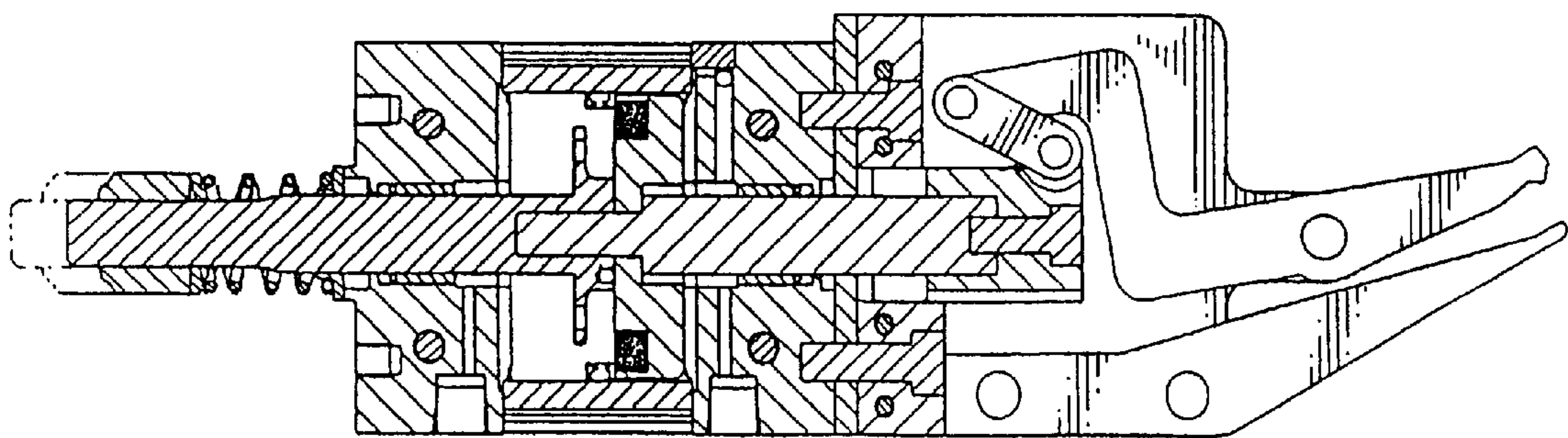


FIG. 8