



US00D459042S

(12) **United States Design Patent**
Carew

(10) **Patent No.:** **US D459,042 S**

(45) **Date of Patent:** **** Jun. 18, 2002**

(54) **BOAT SCRAPING TOOL**

5,638,570 A * 6/1997 Gruner 15/235.7

(76) Inventor: **David Carew**, 2107 Capistrano St., San Diego, CA (US) 92106

* cited by examiner

(**) Term: **14 Years**

Primary Examiner—Jennifer Rivard
(74) *Attorney, Agent, or Firm*—Gary L. Eastman

(21) Appl. No.: **29/138,204**

(57) **CLAIM**

(22) Filed: **Mar. 7, 2001**

The ornamental design for a boat scraping tool, as shown and described.

(51) **LOC (7) Cl.** **08-05**

DESCRIPTION

(52) **U.S. Cl.** **D32/46**

FIG. 1 is a perspective view of the boat scraping tool showing my new design;

(58) **Field of Search** D32/40, 46, 49;
15/236.01, 237, 236.05, 236.06, 236.07,
236.08, 143.1

FIG. 2 is an enlarged top view thereof;
FIG. 3 is an enlarged left side view thereof;
FIG. 4 is an enlarged front end view thereof; and,
FIG. 5 is an enlarged back end view thereof.

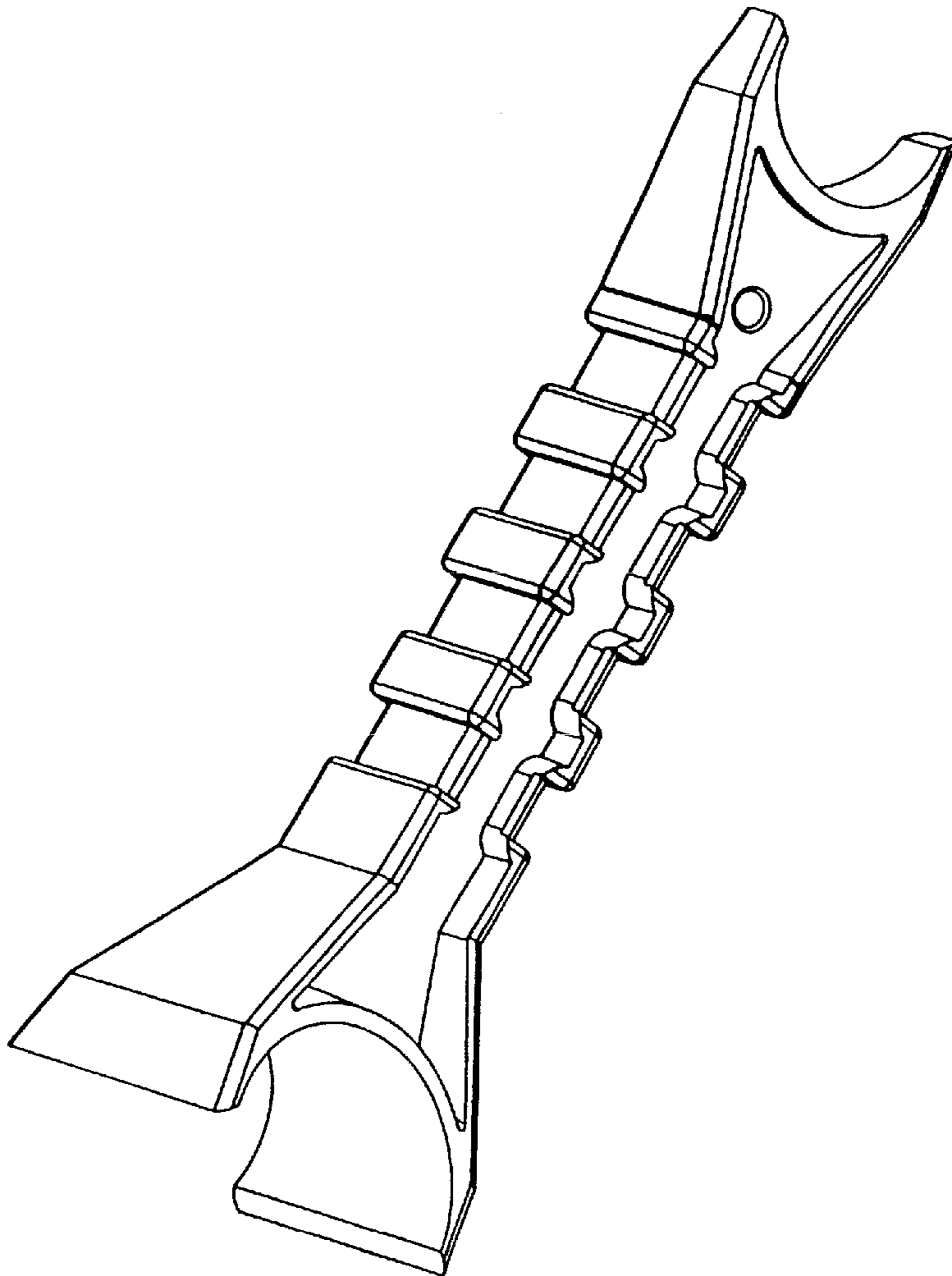
(56) **References Cited**

The bottom view of the boat scraping tool is the same as FIG. 2, and the right side view of the boat scraping tool is a mirror image of FIG. 3.

U.S. PATENT DOCUMENTS

- 1,592,950 A * 7/1926 McClain 15/236.01
- 5,440,776 A * 8/1995 Kartler 15/235.7
- 5,509,167 A * 4/1996 Wilson 15/236.06

1 Claim, 4 Drawing Sheets



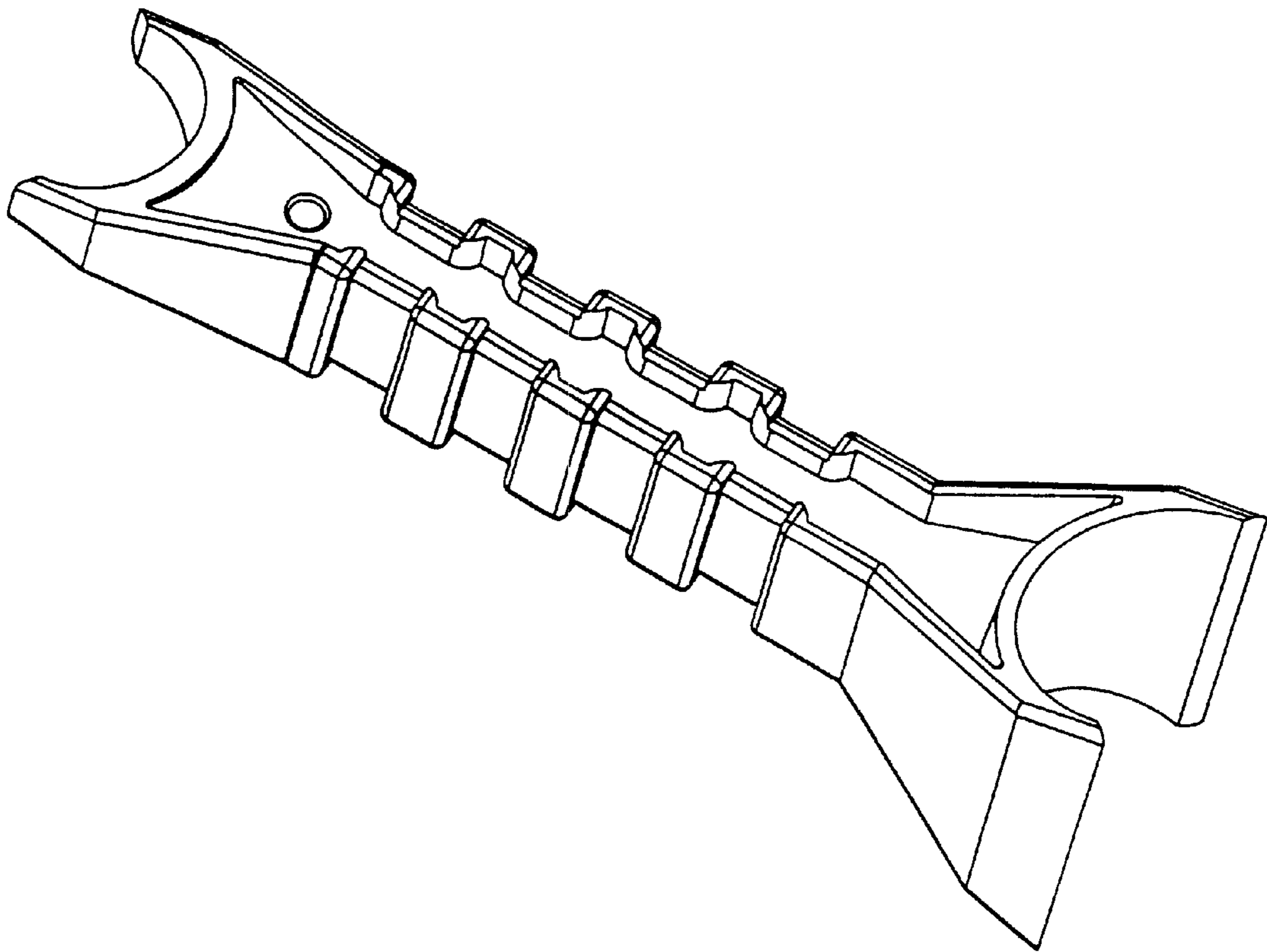


FIGURE 1

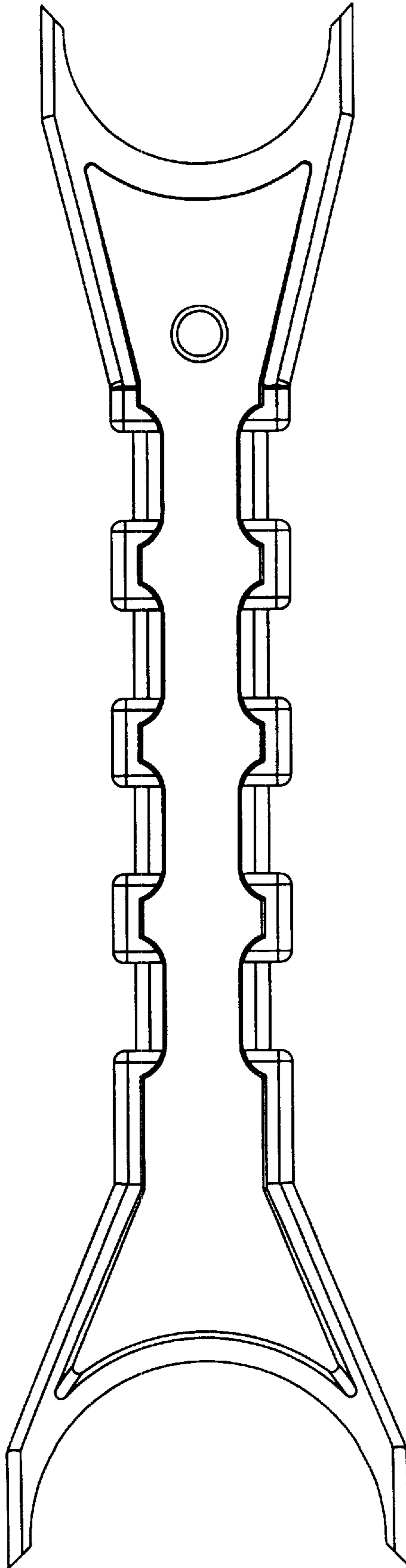


FIGURE 2

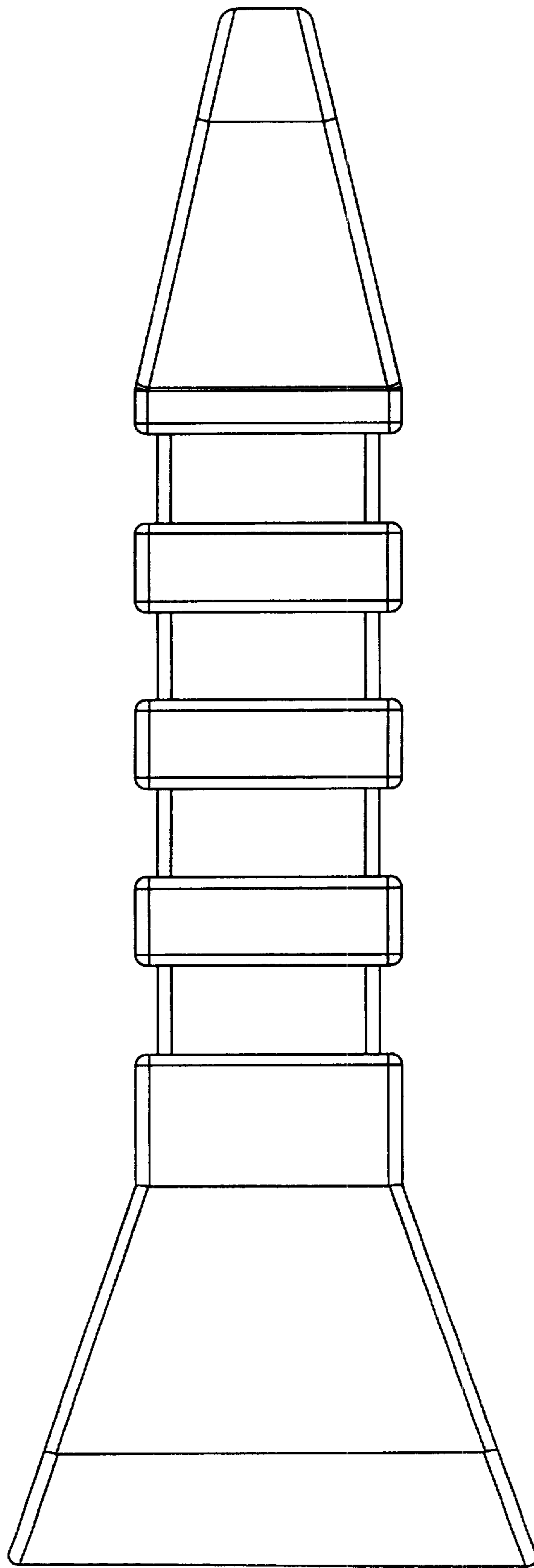


FIGURE 3

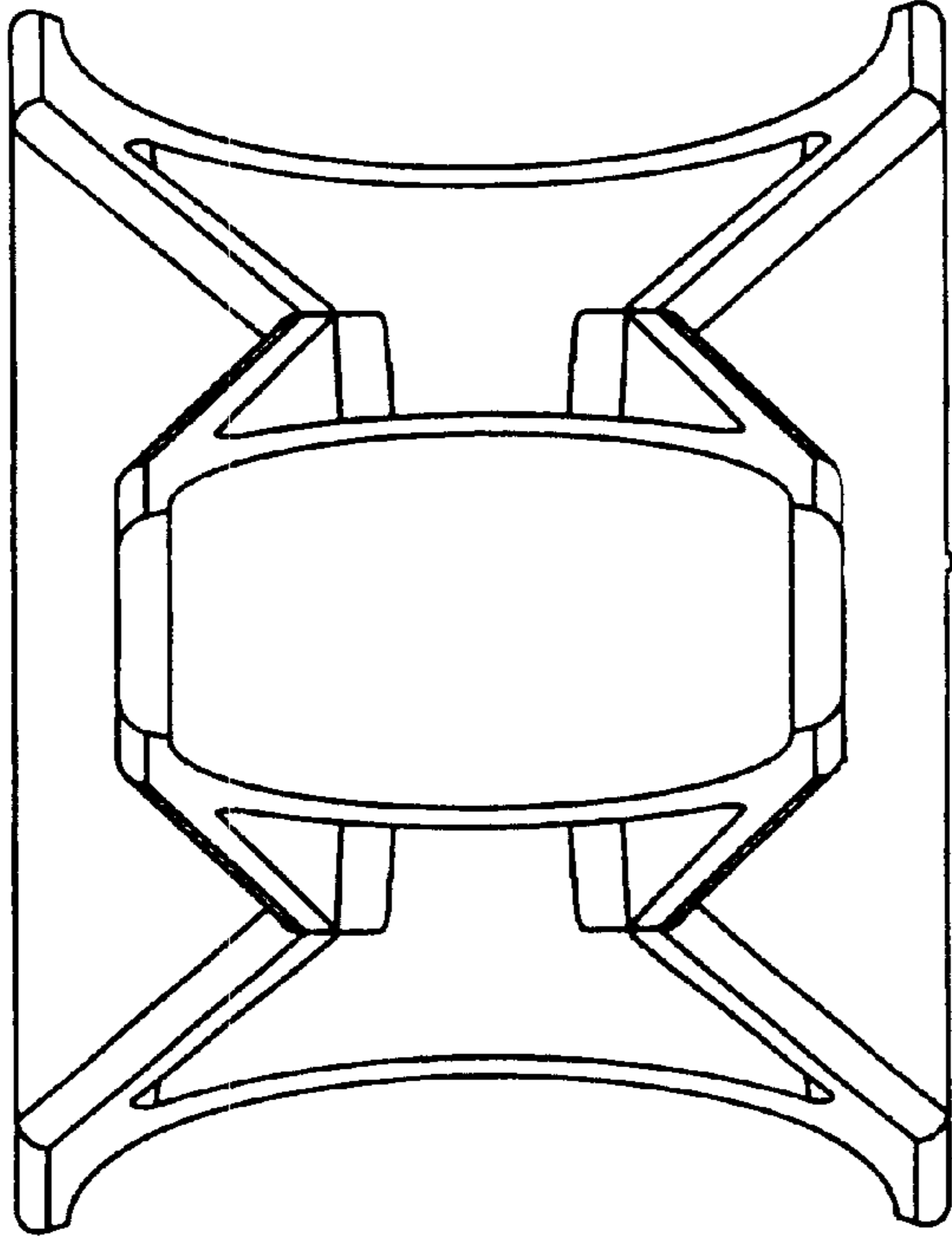


FIGURE 5

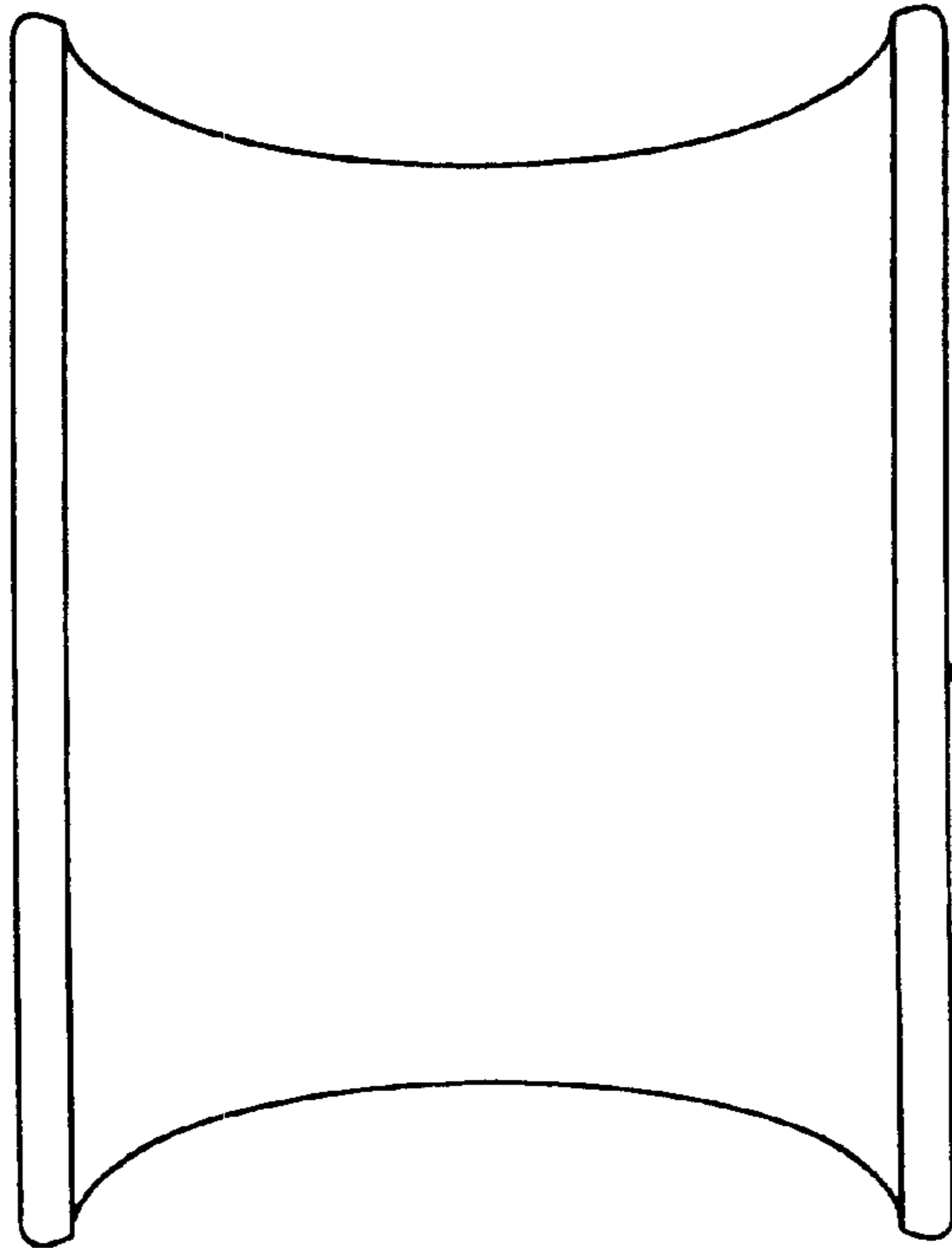


FIGURE 4