



US00D459040S

(12) **United States Design Patent**  
**Oh**

(10) **Patent No.:**

**US D459,040 S**

(45) **Date of Patent:**

**\*\* Jun. 18, 2002**

(54) **BODY OF VACUUM CLEANER**

(75) Inventor: **Hyeon Geun Oh**, Seoul (KR)

(73) Assignee: **LG Electronics Inc.**, Seoul (KR)

(\*\*) Term: **14 Years**

(21) Appl. No.: **29/142,200**

(22) Filed: **May 22, 2001**

(30) **Foreign Application Priority Data**

Dec. 21, 2000 (KR) ..... 2000-32743

(51) **LOC (7) Cl.** ..... **15-05**

(52) **U.S. Cl.** ..... **D32/21**

(58) **Field of Search** ..... D32/21, 23-25,  
D32/31; 15/327.1, 327.2, 327.3, 327.4,  
327.5, 327.6, 327.7, 321, 323, 339

(56) **References Cited**

**U.S. PATENT DOCUMENTS**

- D325,273 S \* 4/1992 Ikeda et al. .... D32/21
- D373,665 S \* 9/1996 Nakamura et al. .... D32/21
- D394,527 S \* 5/1998 Pochopien et al. .... D32/21

- D399,617 S \* 10/1998 Fujita ..... D32/21
- D417,046 S \* 11/1999 Tsuruha et al. .... D32/21
- D430,366 S \* 8/2000 Sato et al. .... D32/21
- D443,119 S \* 5/2001 Sung ..... D32/21
- D445,973 S \* 7/2001 Chen ..... D32/21

\* cited by examiner

*Primary Examiner*—Ruth McInroy

(74) *Attorney, Agent, or Firm*—Birch, Stewart, Kolasch & Birch, LLP

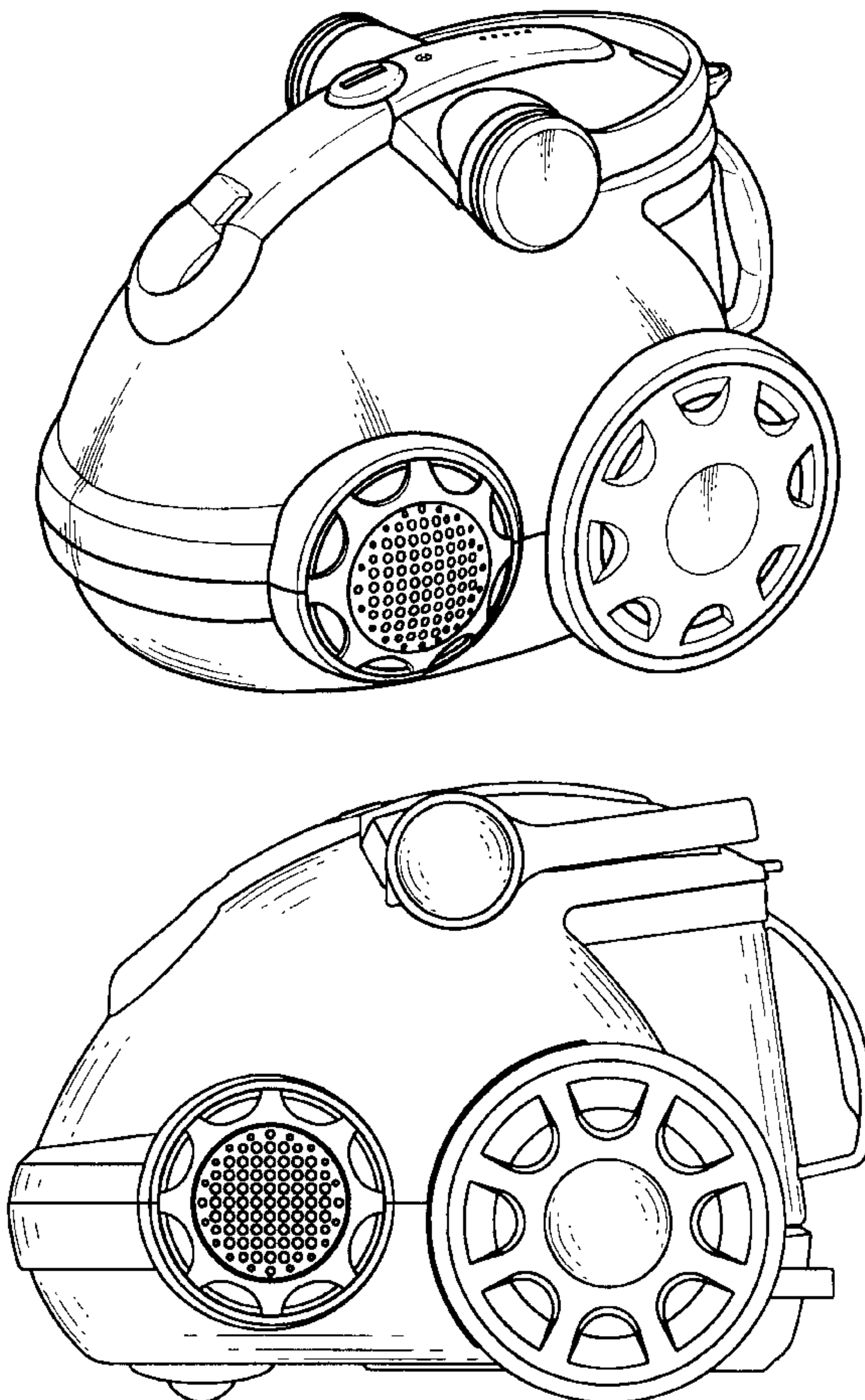
(57) **CLAIM**

I claim the ornamental design for a body of vacuum cleaner, as shown and described.

**DESCRIPTION**

FIG. 1 is a perspective view of a body of vacuum cleaner showing my new design;  
 FIG. 2 is a front view thereof;  
 FIG. 3 is a rear elevational view thereof;  
 FIG. 4 is a left-side elevational view thereof;  
 FIG. 5 is a right-side elevational view thereof;  
 FIG. 6 is a top plan view thereof; and,  
 FIG. 7 is a bottom plan view thereof.

**1 Claim, 4 Drawing Sheets**



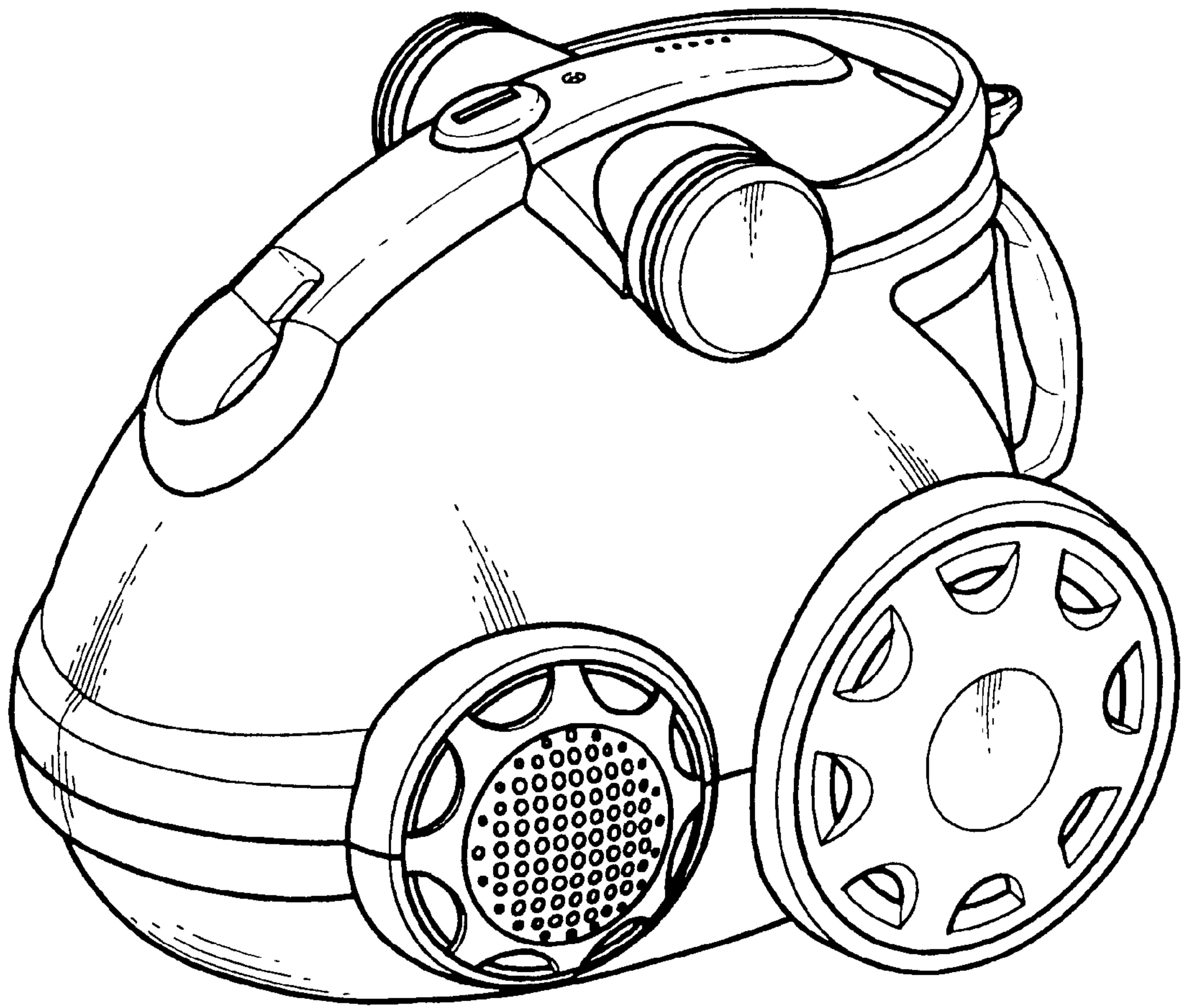


FIG. 1

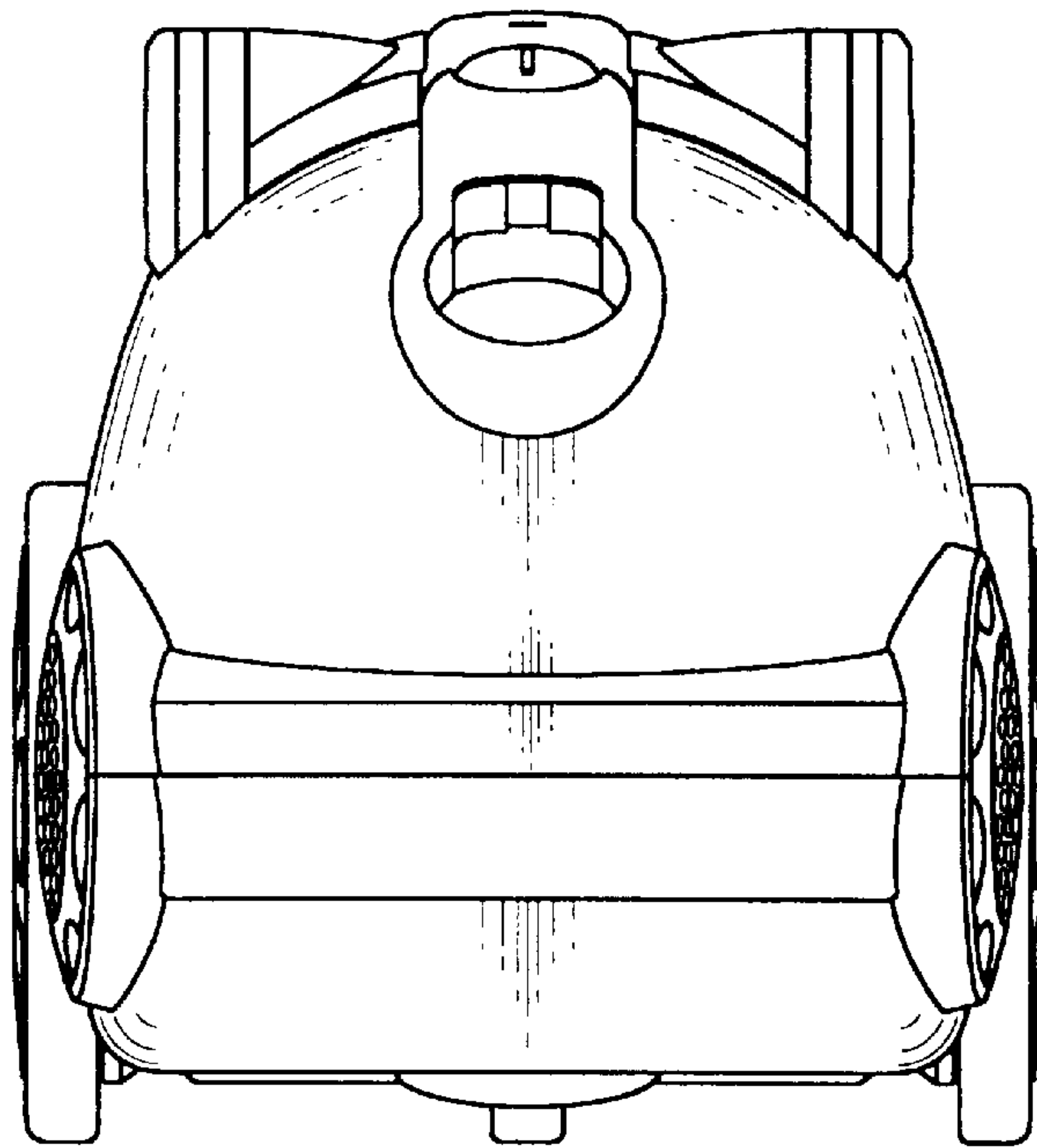


FIG. 2

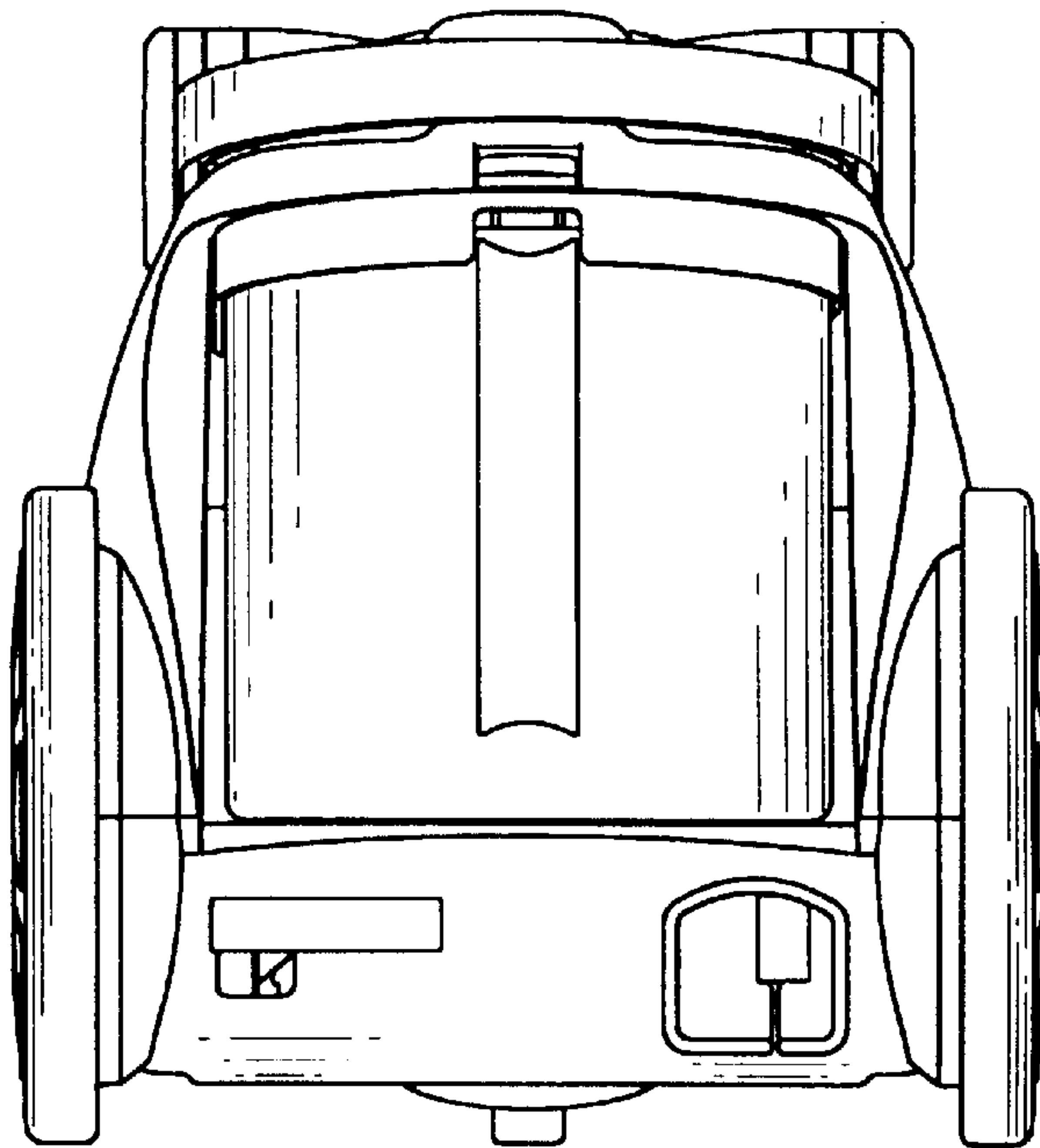


FIG. 3

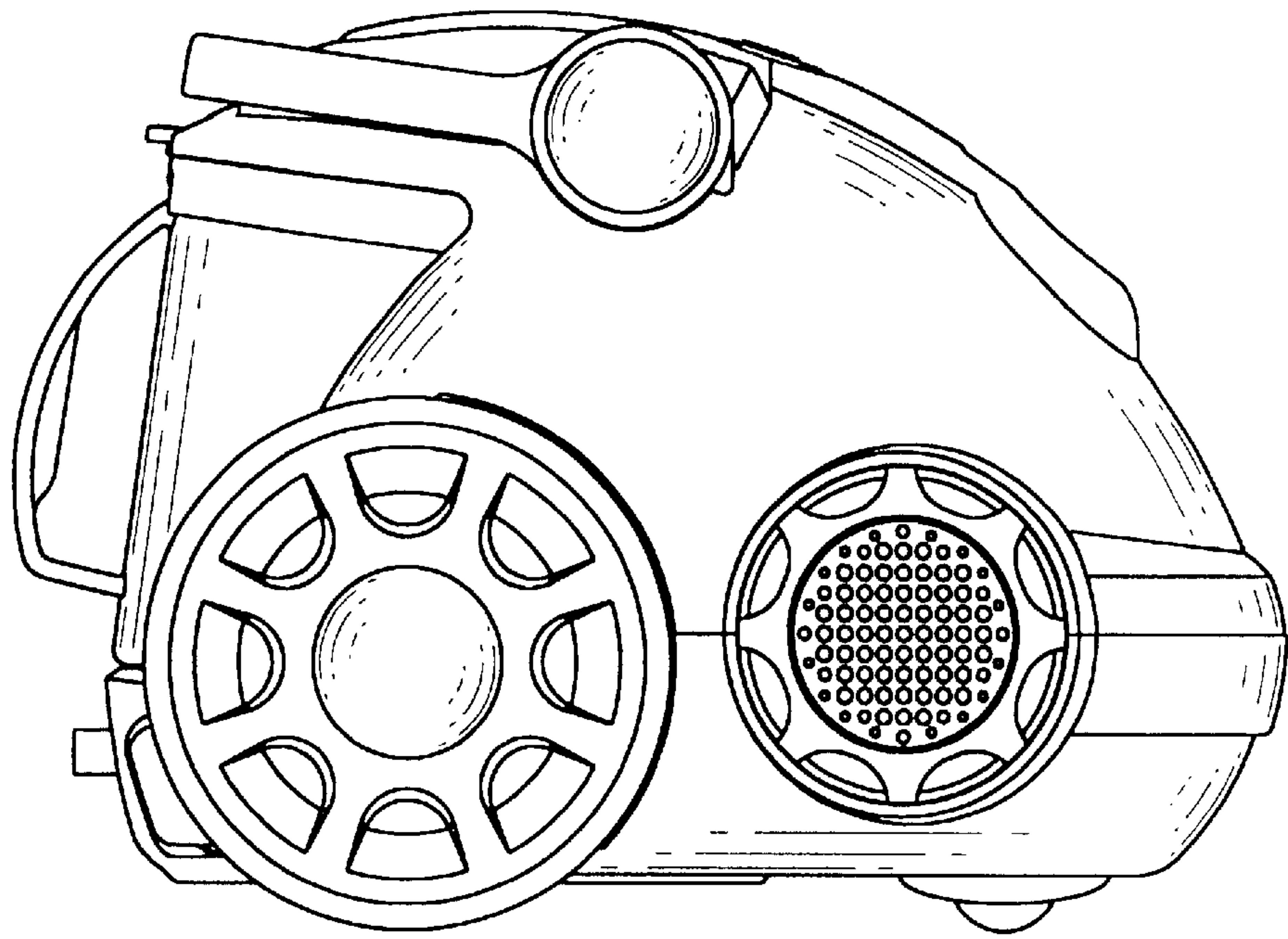


FIG. 4

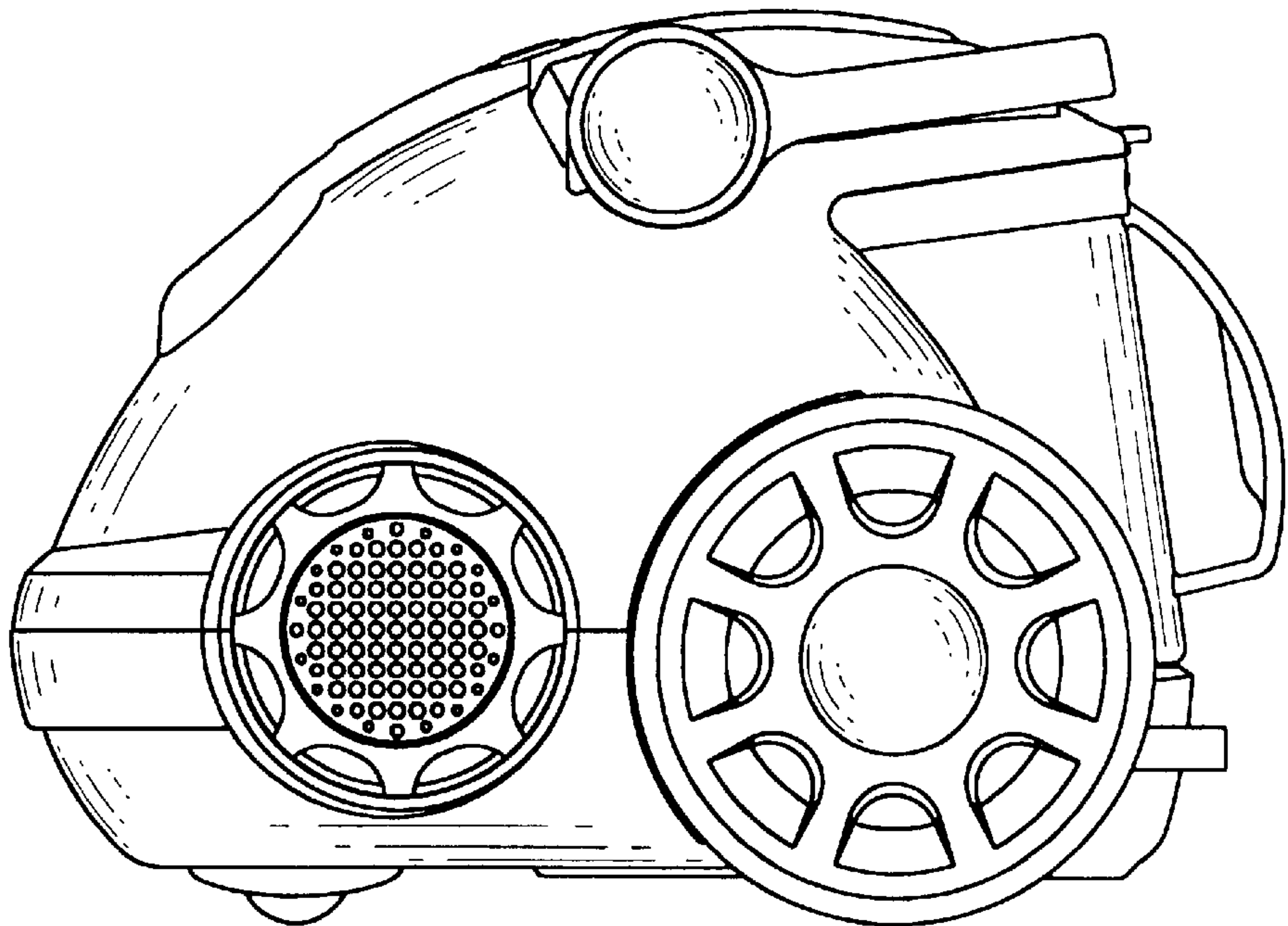


FIG. 5



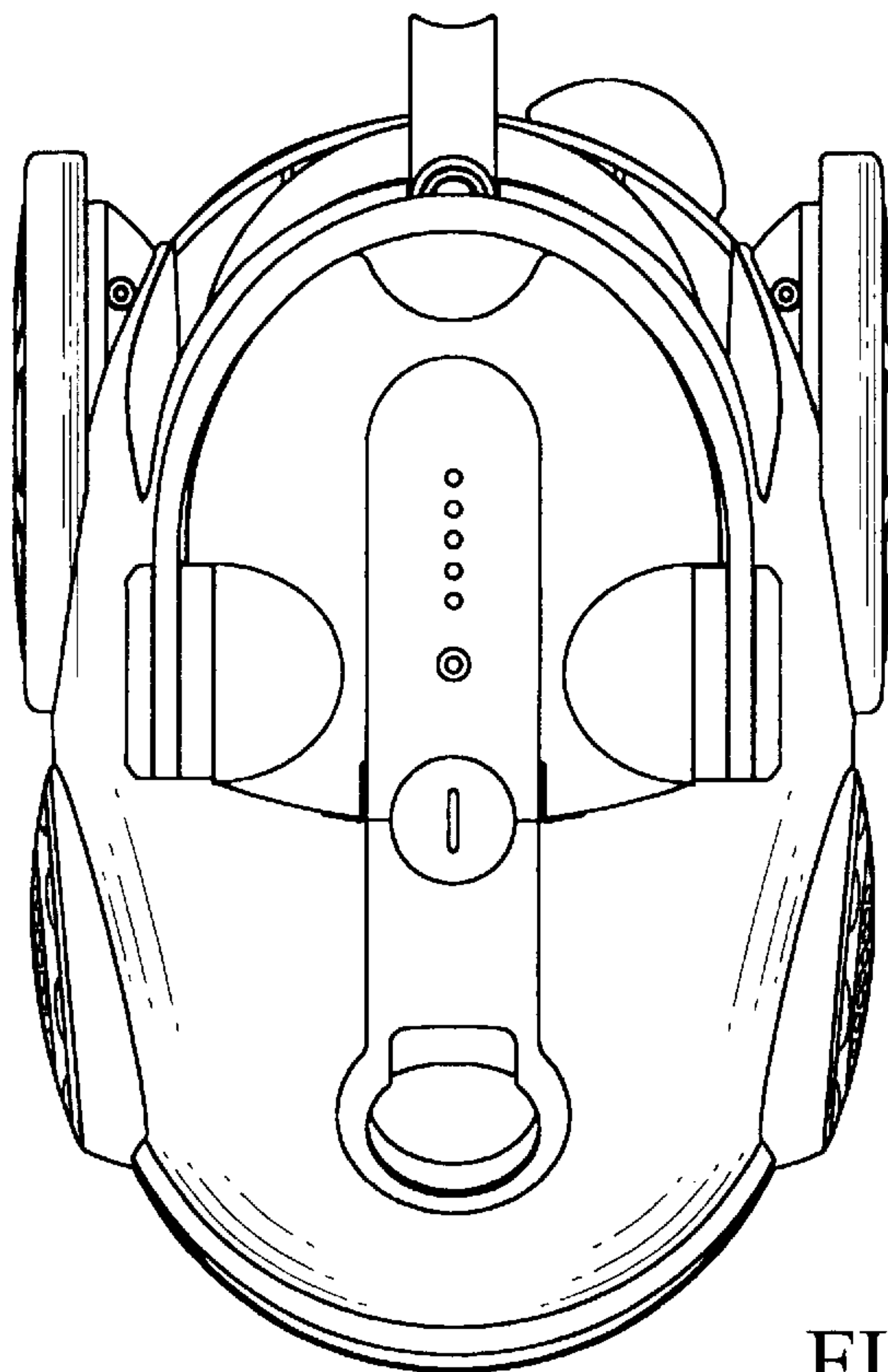


FIG. 6

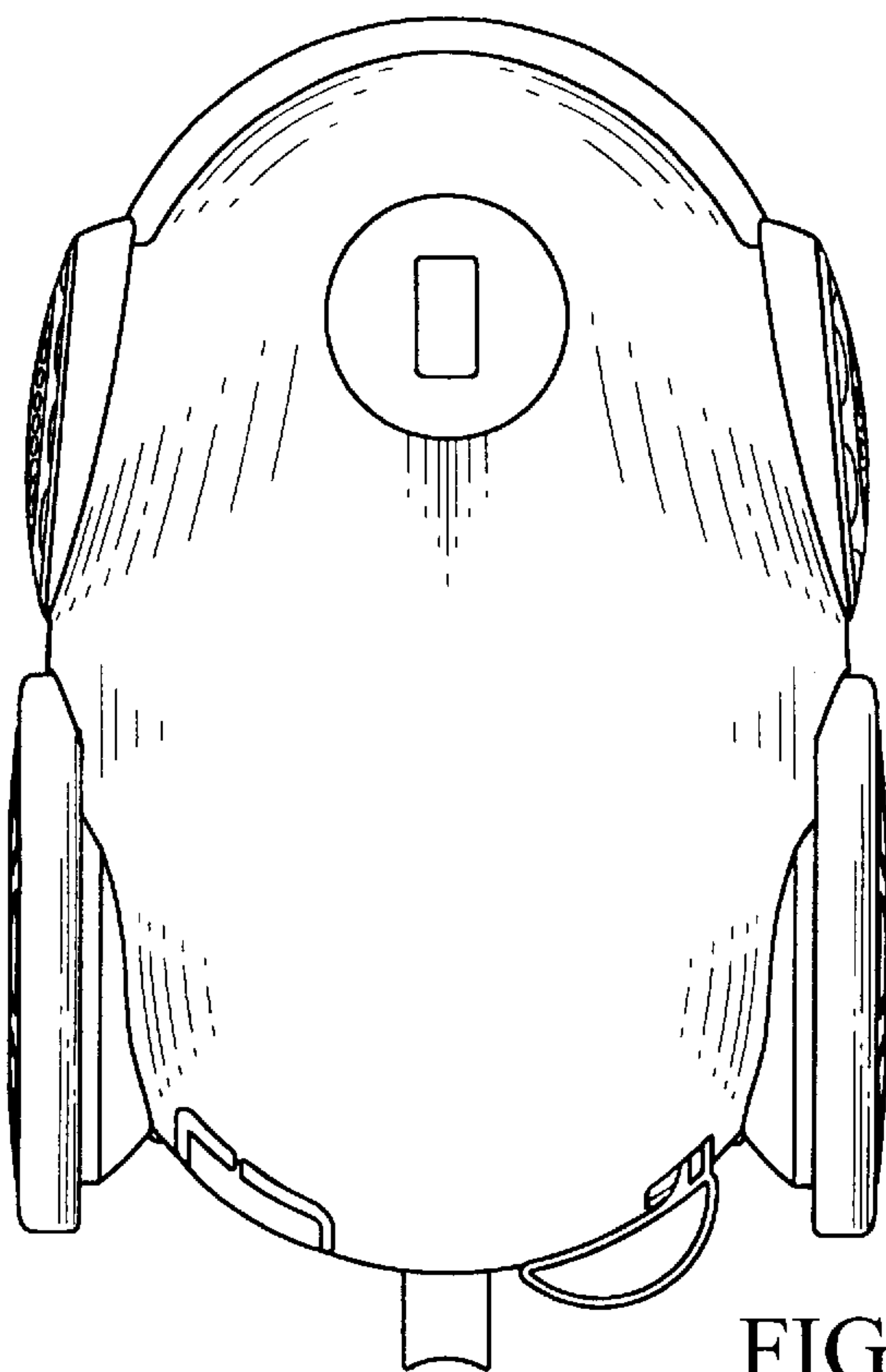


FIG. 7