



US00D459039S

(12) **United States Design Patent**
Bisson

(10) **Patent No.:** **US D459,039 S**

(45) **Date of Patent:** **** Jun. 18, 2002**

(54) **BACK-CARRIED VACUUM CLEANER**

(76) Inventor: **Montgomery Bisson**, 4902 Searidge Cir., Huntington Beach, CA (US) 92649

(**) Term: **14 Years**

(21) Appl. No.: **29/126,780**

(22) Filed: **Jul. 24, 2000**

(51) **LOC (7) Cl.** **15-05**

(52) **U.S. Cl.** **D32/21**

(58) **Field of Search** D32/21, 23-25, D32/31, 17-18; 15/344, 327.5, 329, 412

(56) **References Cited**

U.S. PATENT DOCUMENTS

2,595,752	A	*	5/1952	Batts	248/224.8
D204,332	S	*	4/1966	Hargraves	D32/31
D204,366	S	*	4/1966	Nelson	D32/31
D219,835	S	*	2/1971	Otto et al.	D32/31
4,325,162	A	*	4/1982	Chambers et al.	15/327.5
D312,517	S		11/1990	Hohrein, II et al.		
D326,747	S	*	6/1992	Stickle	D32/21
5,267,371	A	*	12/1993	Soler et al.	15/327.5
D344,632	S	*	3/1994	Owens	D4/115
D398,426	S	*	9/1998	Bisson	D32/21
6,073,301	A	*	6/2000	Berfield	15/327.5

OTHER PUBLICATIONS

Castex Industries, Inc., assorted catalog sheets (3 pp.), dated on or about Apr. 21, 1999, Holland, Michigan.

Castex Industries, Inc., *Portapac Reference Manual*, dated on or about Apr. 21, 1999, pp. 1 and 3, Holland, Michigan.

Cyberspace Vacuum Cleaner Museum Web Page, *Universal Tank Cleaner*, Apr. 22, 1999, 2 pp., <http://www.137.com/museum/universa.htm>.

Metropolitan Vacuum Cleaner Co., Inc., advertisement for Omnivac, *Floor Care Professional*, Jan., 1999. p. 41.

Miracle Marketing Corp., sales pamphlet for Lil' Hummer, dated on or about Apr. 21, 1999, 2 pp., Salt Lake City, Utah.

Miracle Marketing Corp., sales pamphlet for Optimus I, dated on or about Apr. 21, 1999, 2 pp., Salt Lake City, Utah.

National Super Service Company, sales pamphlet for Outlaw B/V, dated on or about Apr. 21, 1999, 2 pp., Toledo Ohio.

North American Cleaning Equipment, advertisement for RSV 100 Hip Hugger™, *Maintenance Supplies*, May, 1998, p. 49.

Pacific Steamex, sales pamphlet for Pacific Backpack, dated on or about Apr. 20, 1999, 2 pp., Muskegon, Michigan.

Pro-Team, sales pamphlet for Pro-Team Backpack Vacuums, dated on or about Mar. 29, 1999, 4 pp., Boise, Idaho.

Pro-Team, sheet for catalog kits, dated on or about Apr. 21, 1999, p. 4, Boise, Idaho.

Safety, Operation and Maintenance Manual w/Parts List for Probe Backpack Vacuum™, dated on or about Apr. 21, 1999.

Sandia Industrial Vacuums, advertisement for Raven, *Cleaning & Maintenance Management*, May, 1998, p. 48.

United Electric, sheet for catalog kits, dated on or about Apr. 21, 1999.

Windsor, advertisement for Wave™ vacuum, dated on or about Apr. 21, 1999.

* cited by examiner

Primary Examiner—Ruth McInroy

(74) *Attorney, Agent, or Firm*—Paul Adams

(57) **CLAIM**

The ornamental design for a back-carried vacuum cleaner, as shown and described.

DESCRIPTION

FIG. 1 is a top plan view of a back-carried vacuum cleaner showing my new design;

FIG. 2 is a front elevational view thereof;

FIG. 3 is a side elevational view thereof;

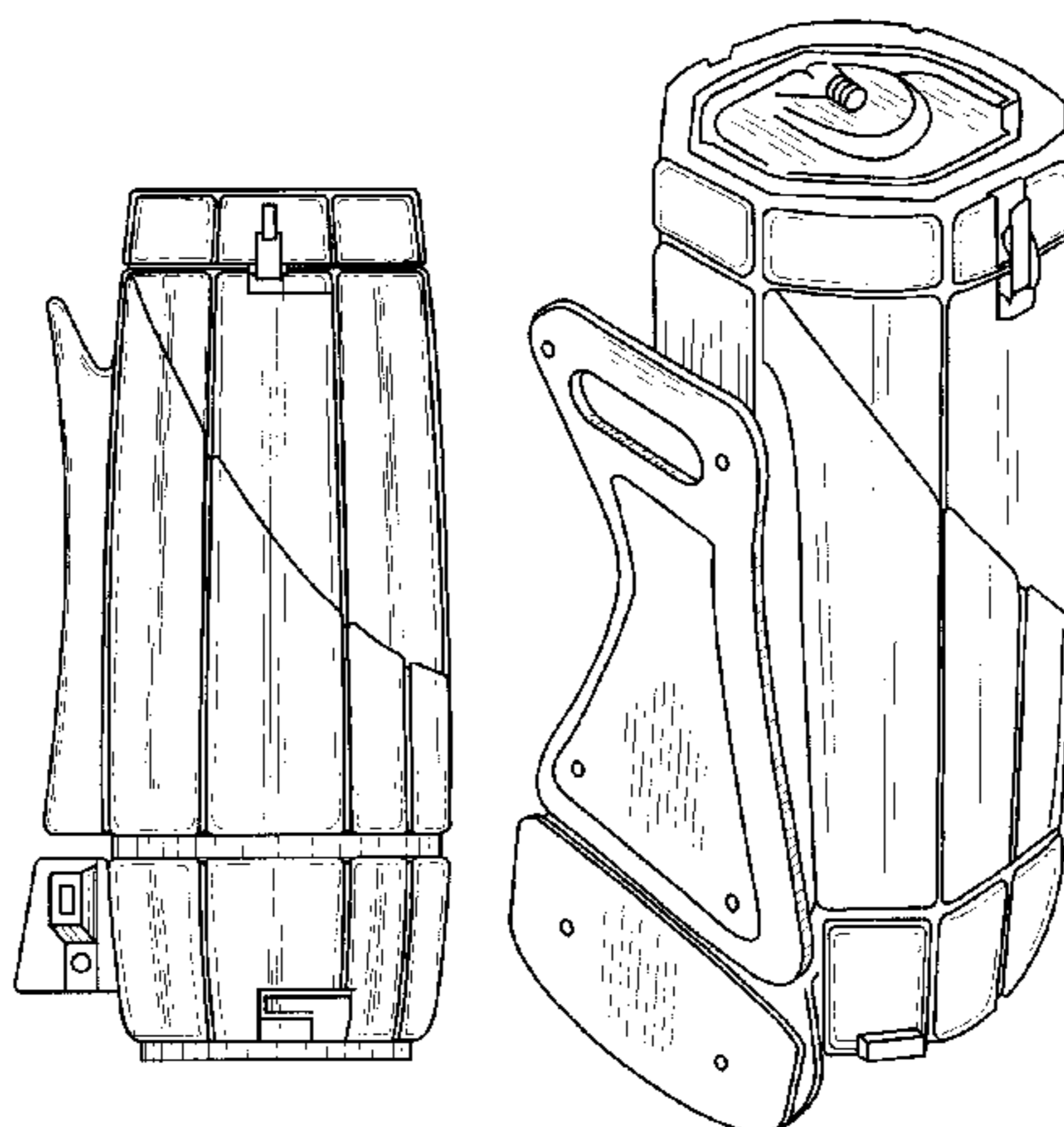
FIG. 4 is an opposite side elevational view thereof;

FIG. 5 is a back elevational view thereof;

FIG. 6 is a bottom plan view thereof; and,

FIG. 7 is a perspective view thereof.

1 Claim, 3 Drawing Sheets



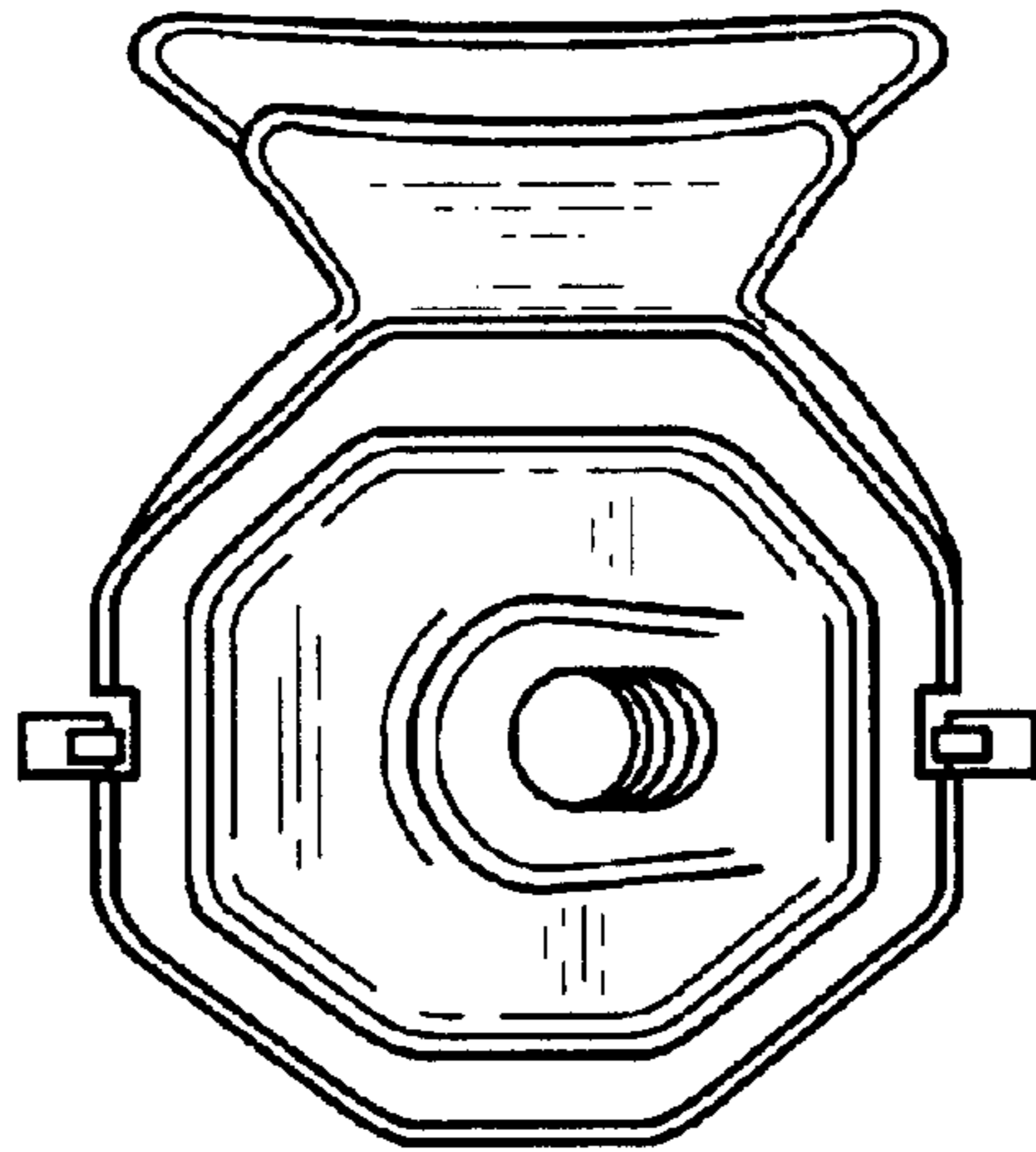


FIG. 1

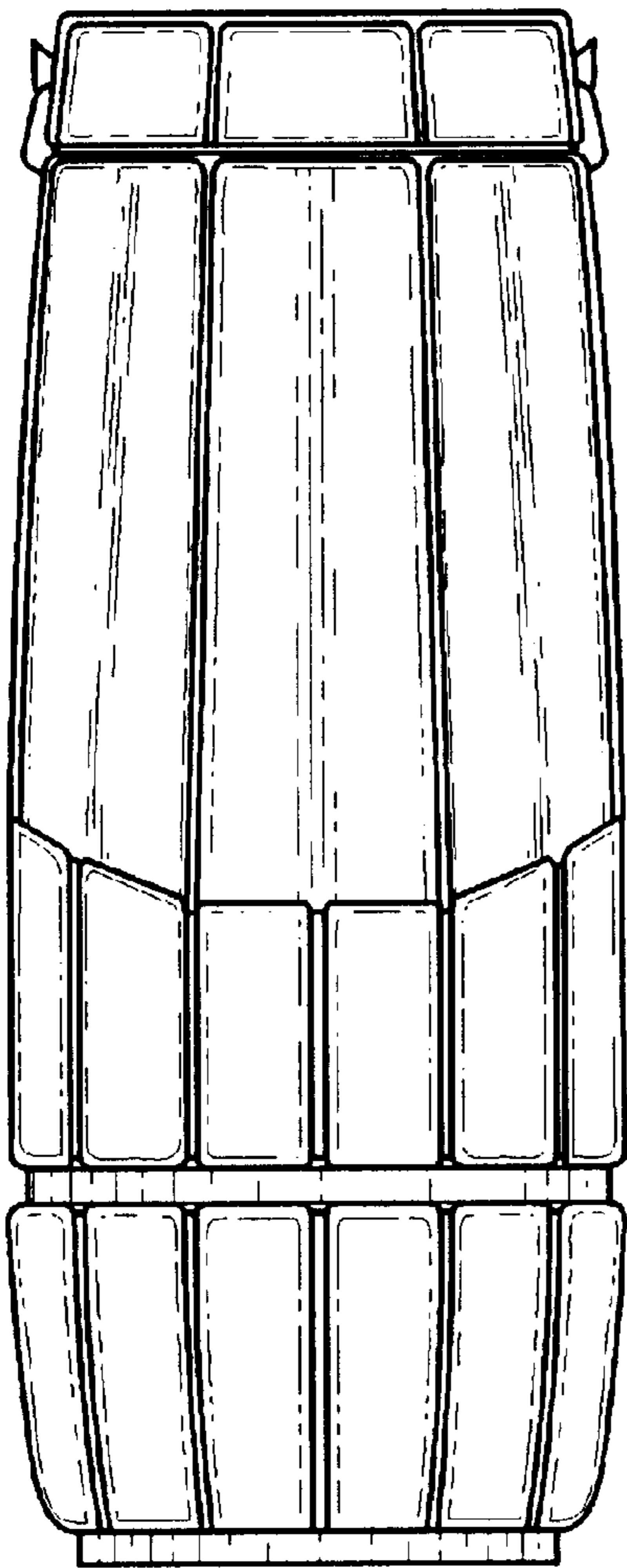


FIG. 2

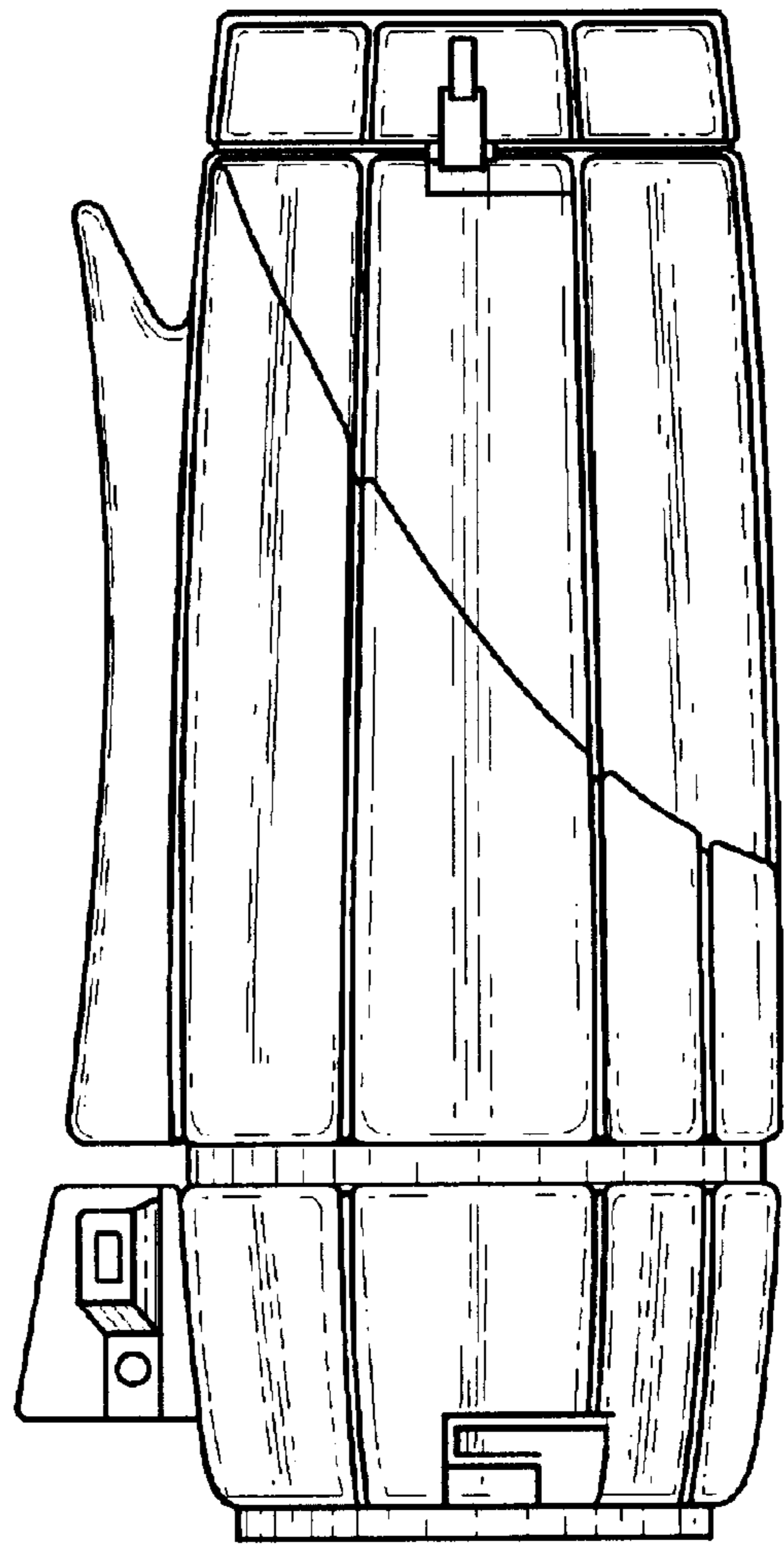


FIG. 3

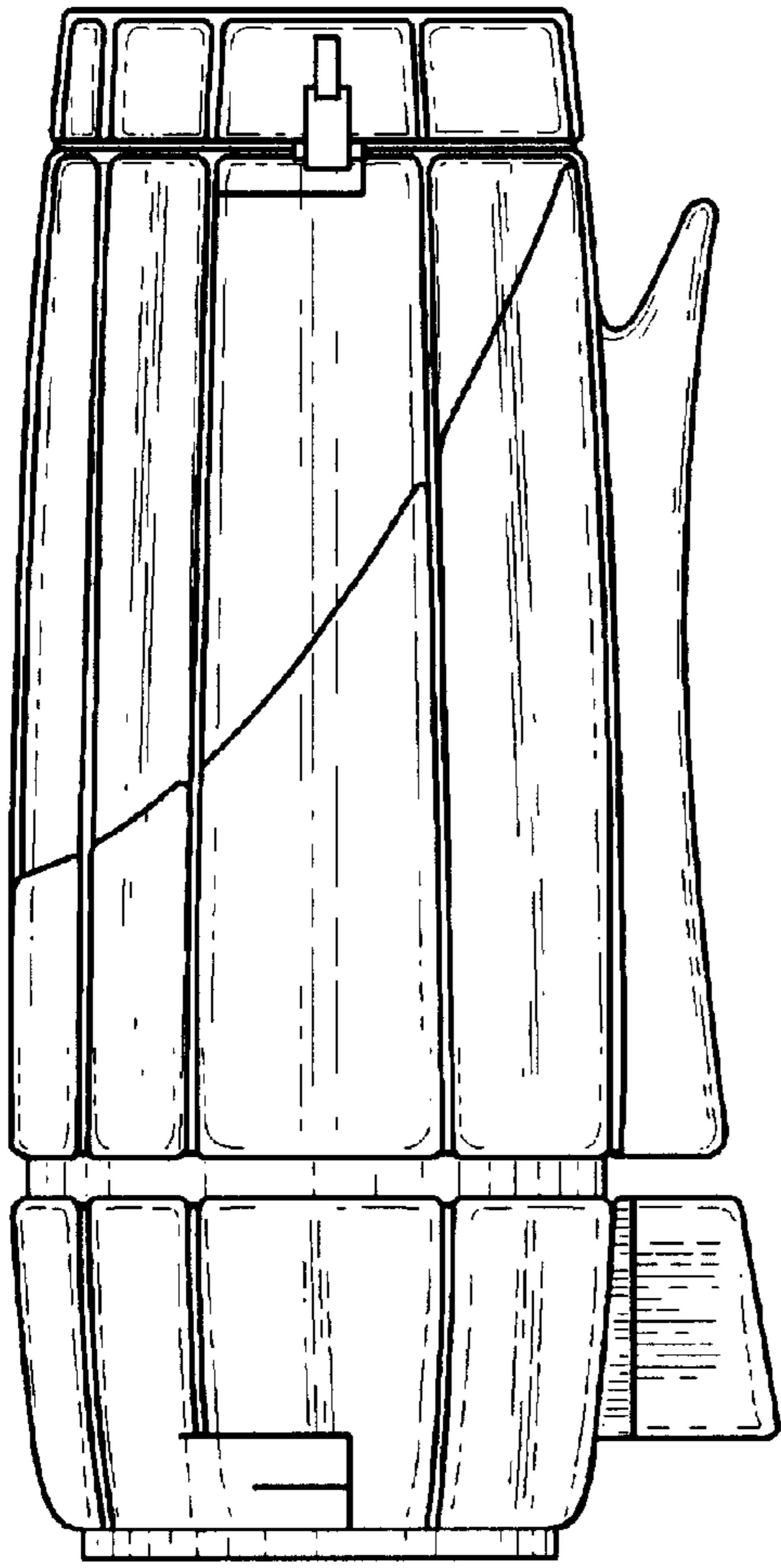


FIG. 4

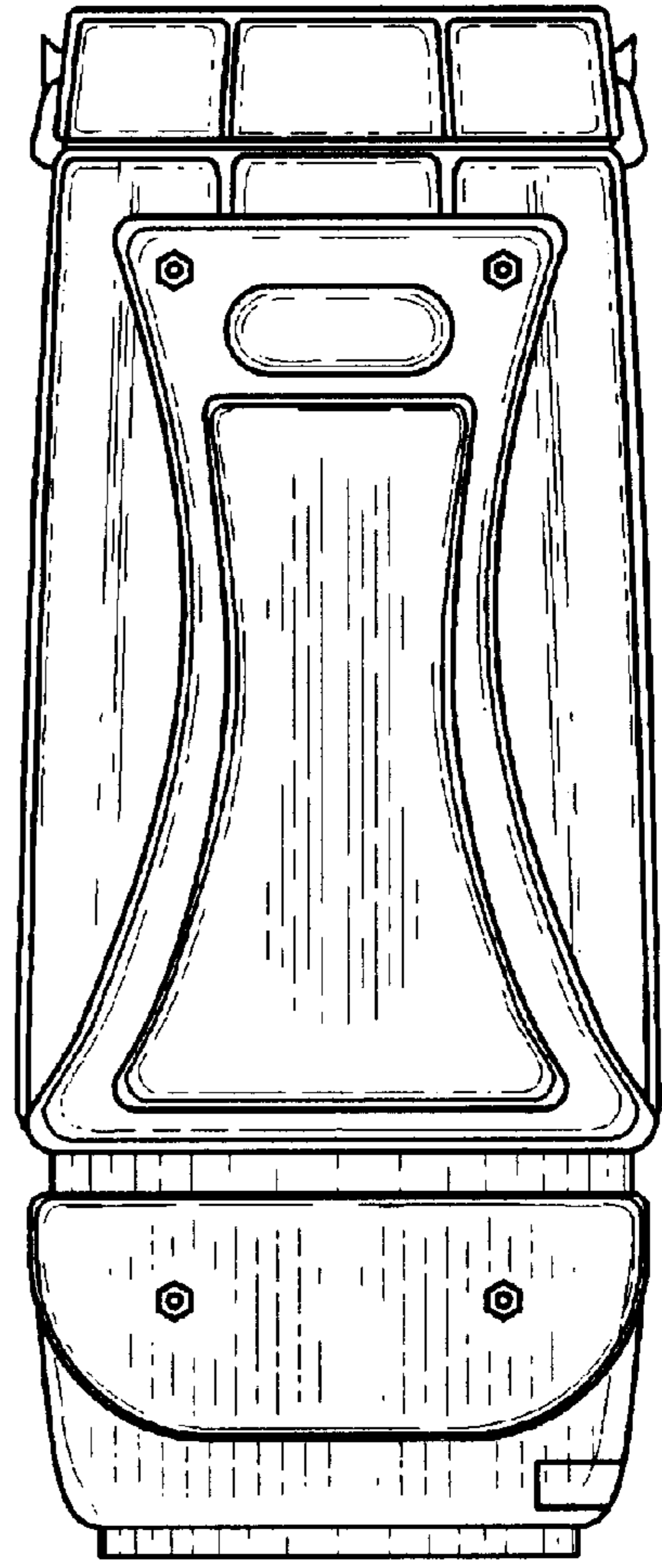


FIG. 5

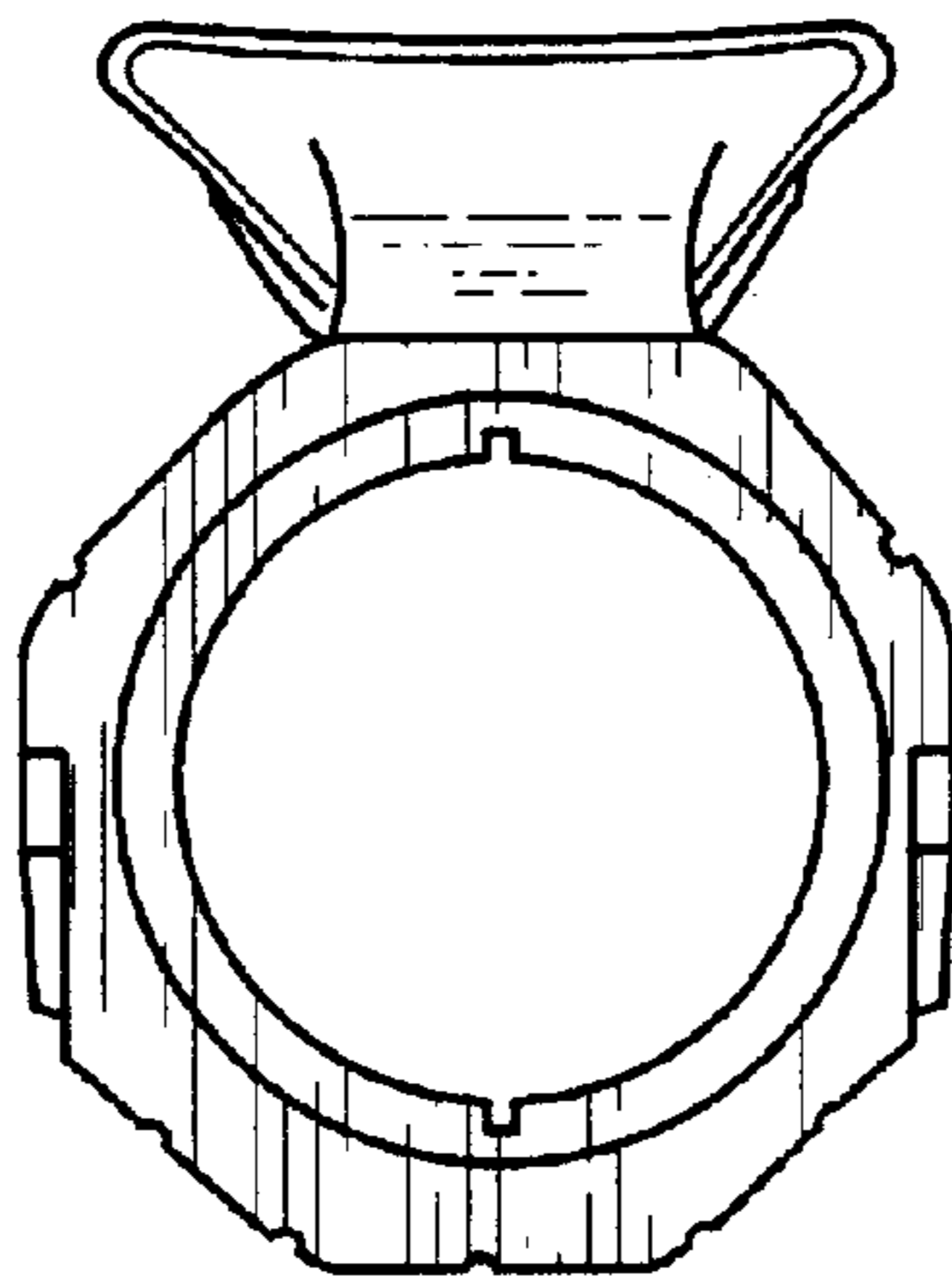


FIG. 6

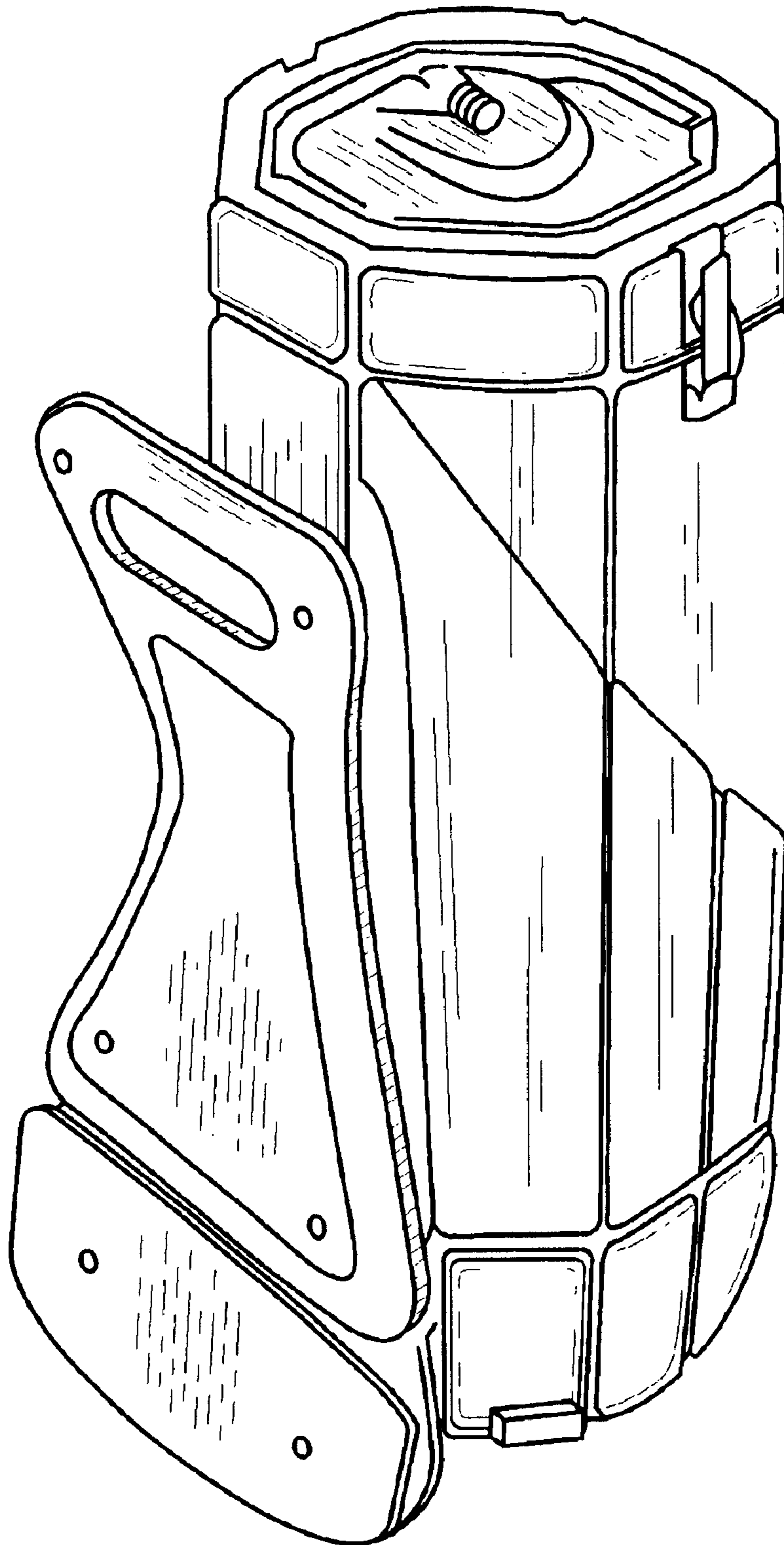


FIG. 7