



US00D459036S

(12) **United States Design Patent**
Bredo et al.

(10) **Patent No.:** **US D459,036 S**

(45) **Date of Patent:** **** Jun. 18, 2002**

(54) **AUTOMATIC LIQUID-CONTAINING VESSEL
CLEANING DEVICE**

(75) **Inventors:** **Katia Bredo**, Brussels (BE); **Alejandro
Cedeno**, Loveland, OH (US); **Simon
James Hopkins**, Great Glen (GB);
Nicolas Remy Denis Joseph Pochart,
Brussels (BE); **Michela Ratti**, Rome
(IT); **Joris Jozef Gustaaf Tack**,
Keerbergen (BE)

(73) **Assignee:** **The Procter & Gamble Company**,
Cincinnati, OH (US)

(**) **Term:** **14 Years**

(21) **Appl. No.:** **29/138,145**

(22) **Filed:** **Mar. 5, 2001**

(30) **Foreign Application Priority Data**

Sep. 8, 2000 (DE) 2095666

(51) **LOC (7) Cl.** **15-05**

(52) **U.S. Cl.** **D32/1; D32/21**

(58) **Field of Search** **D32/1, 15, 21,
D32/23, 25, 31, 33; 15/1.7; 422/265; 210/169,
416.2; 134/111, 18, 167 R**

(56) **References Cited**

U.S. PATENT DOCUMENTS

3,758,276 A * 9/1973 Bond et al. 422/265

4,169,484 A * 10/1979 Bonigut et al. 134/167 R
4,434,050 A * 2/1984 Selsted 210/169
4,652,366 A * 3/1987 Brooks 210/169
4,768,532 A * 9/1988 Johnson 134/111
4,939,806 A * 7/1990 Subra 15/1.7
5,412,826 A * 5/1995 Raubenheimer 15/1.7
D373,230 S * 8/1996 Sebor et al. D32/1
D384,782 S * 10/1997 Gefter D32/21
D400,319 S * 10/1998 Hofheins et al. D32/1
D417,322 S * 11/1999 Hollinger D32/1

* cited by examiner

Primary Examiner—Martie K. Holtje

(74) *Attorney, Agent, or Firm*—Jeffrey V. Bamber

(57) **CLAIM**

The ornamental design for an automatic liquid-containing
vessel cleaning device, as shown and described.

DESCRIPTION

FIG. 1 is a front perspective view of an automatic liquid-
containing vessel cleaning device, embodying our new
design;

FIG. 2 is a top view thereof;

FIG. 3 is a front view thereof;

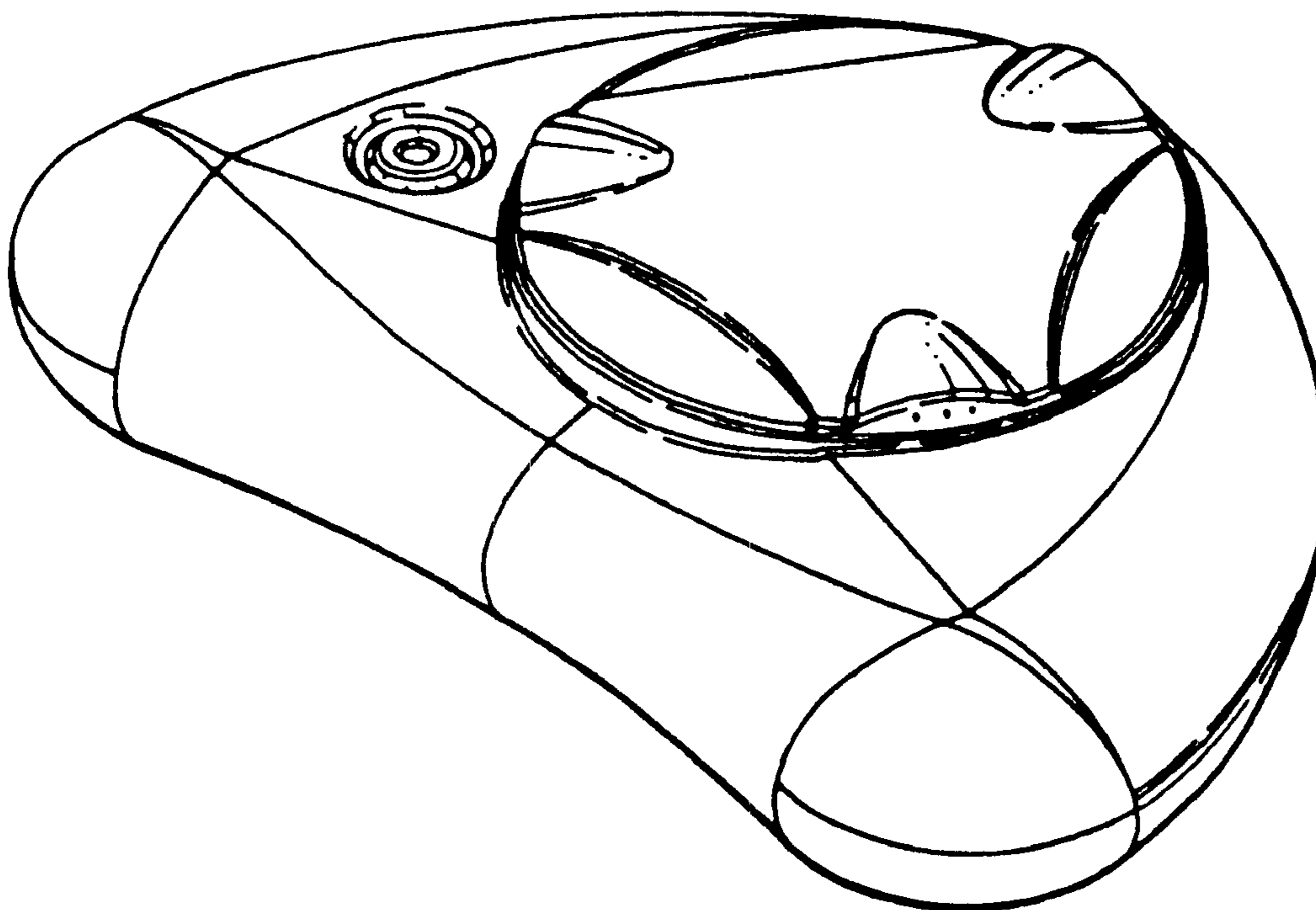
FIG. 4 is a rear view thereof;

FIG. 5 is a bottom view thereof;

FIG. 6 is a side elevational view thereof; and,

FIG. 7 is a side elevational view of the opposite side thereof.

1 Claim, 2 Drawing Sheets



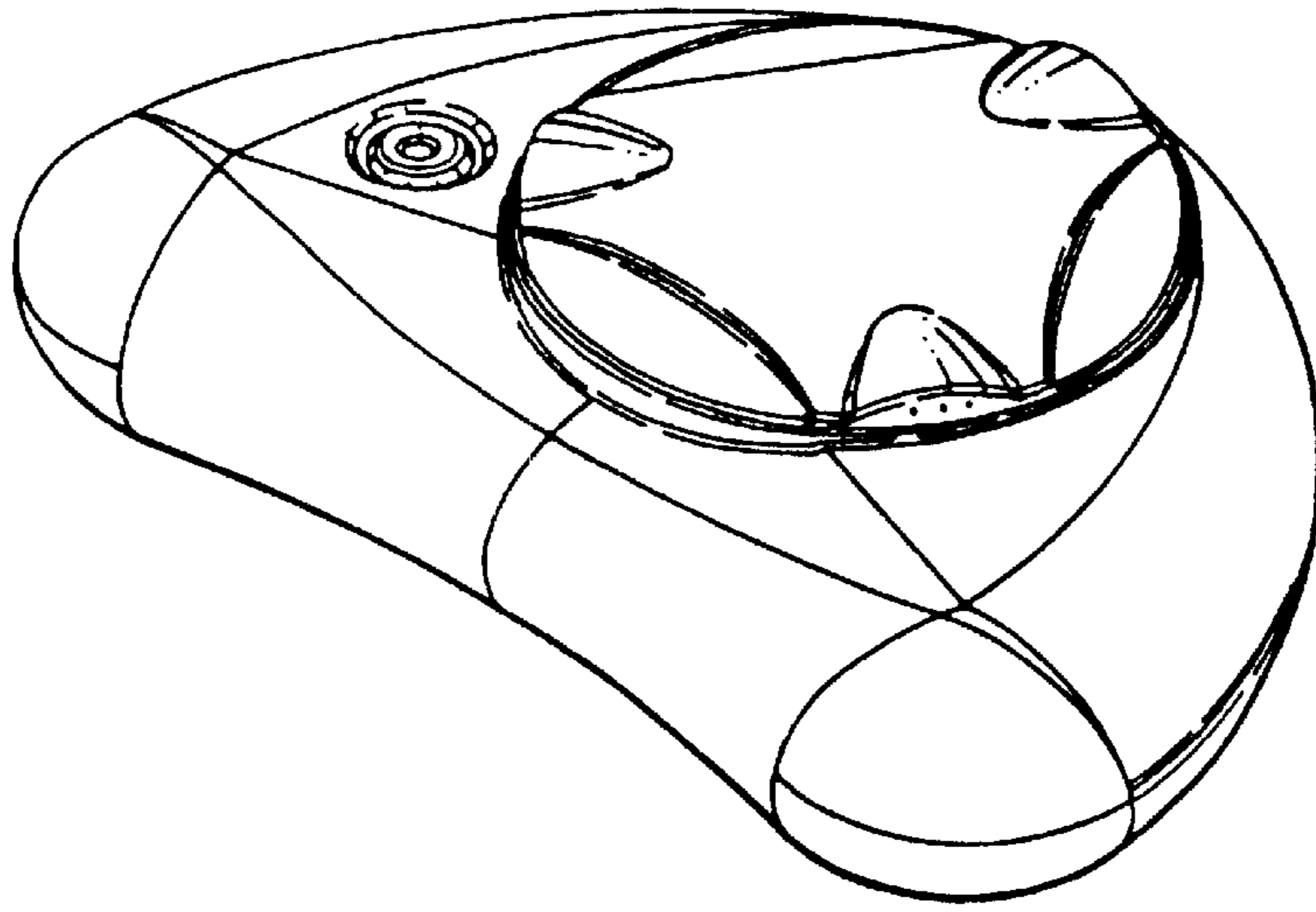


Fig. 1

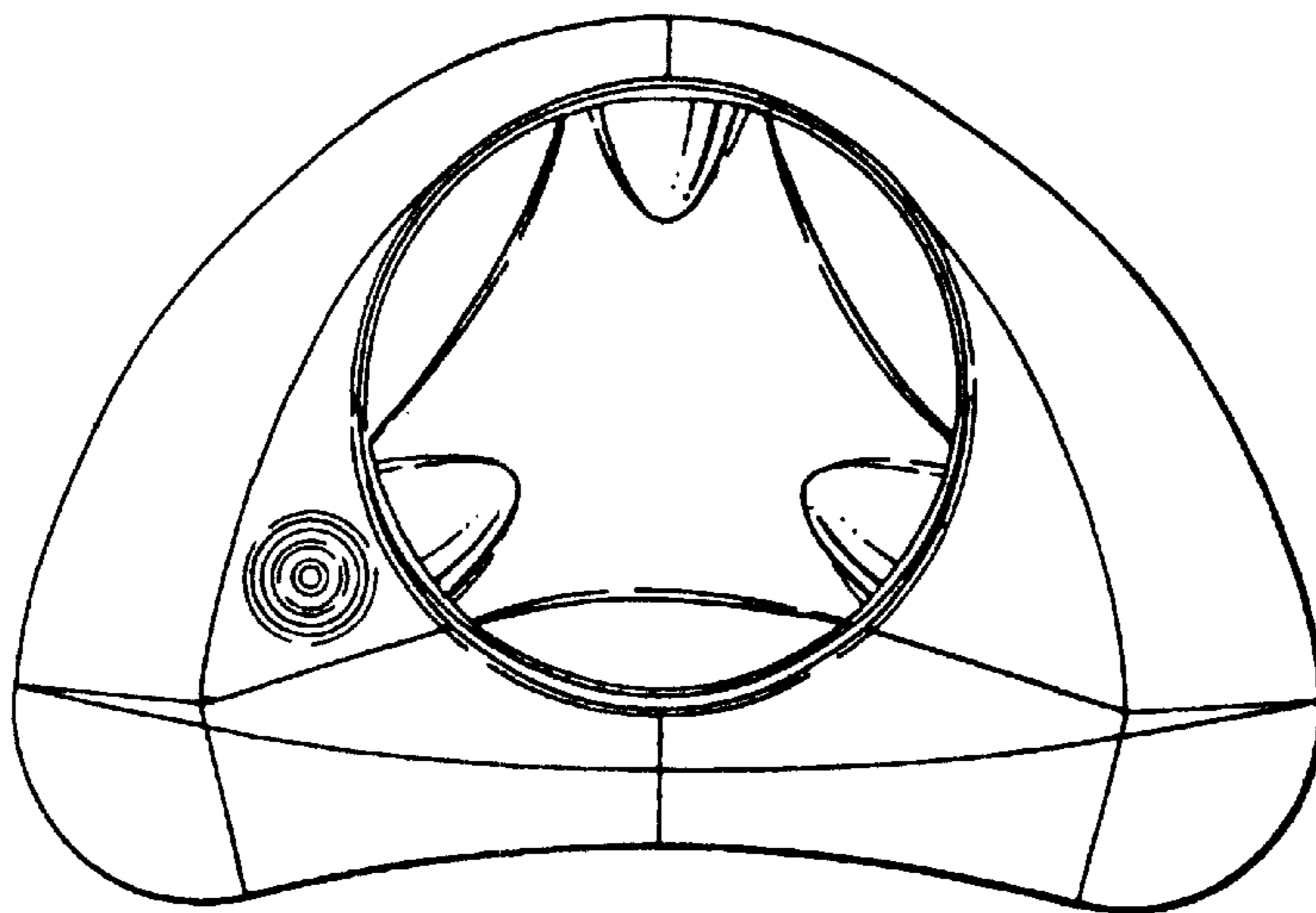


Fig. 2

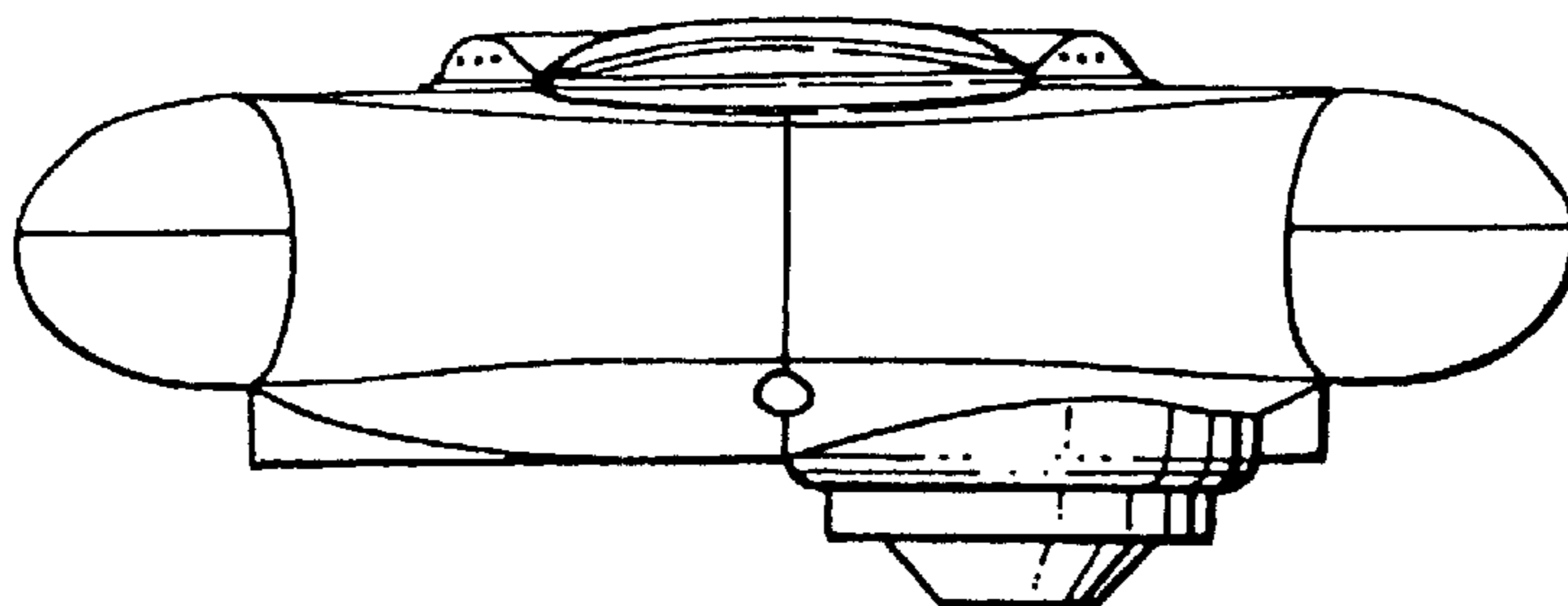


Fig. 3

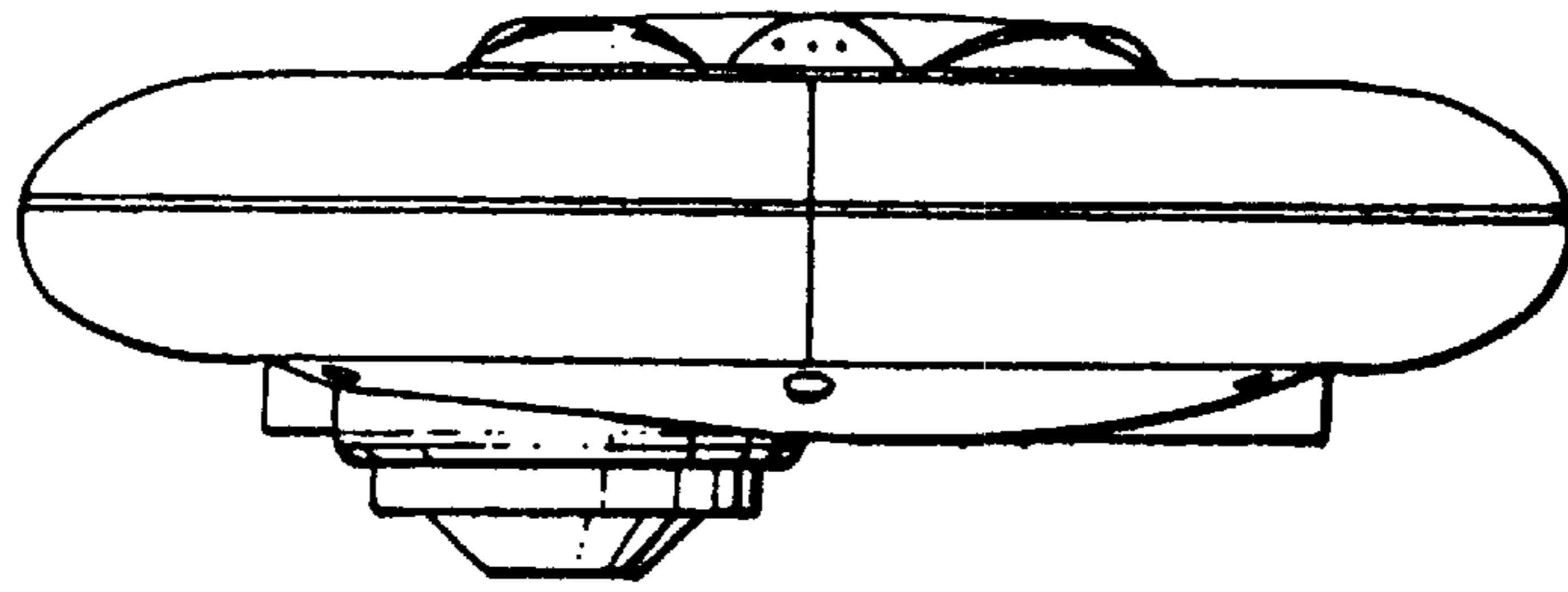


Fig. 4

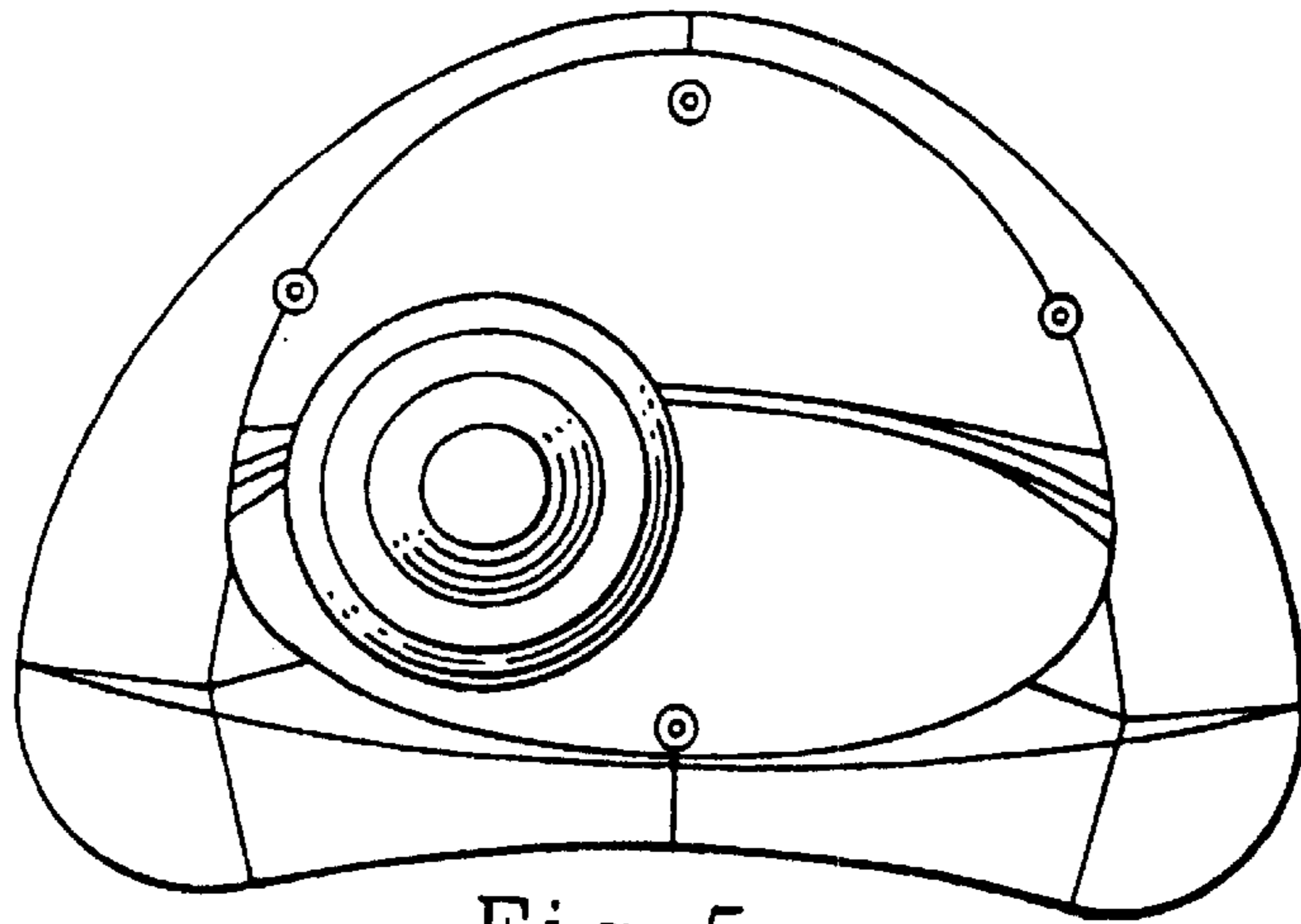


Fig. 5

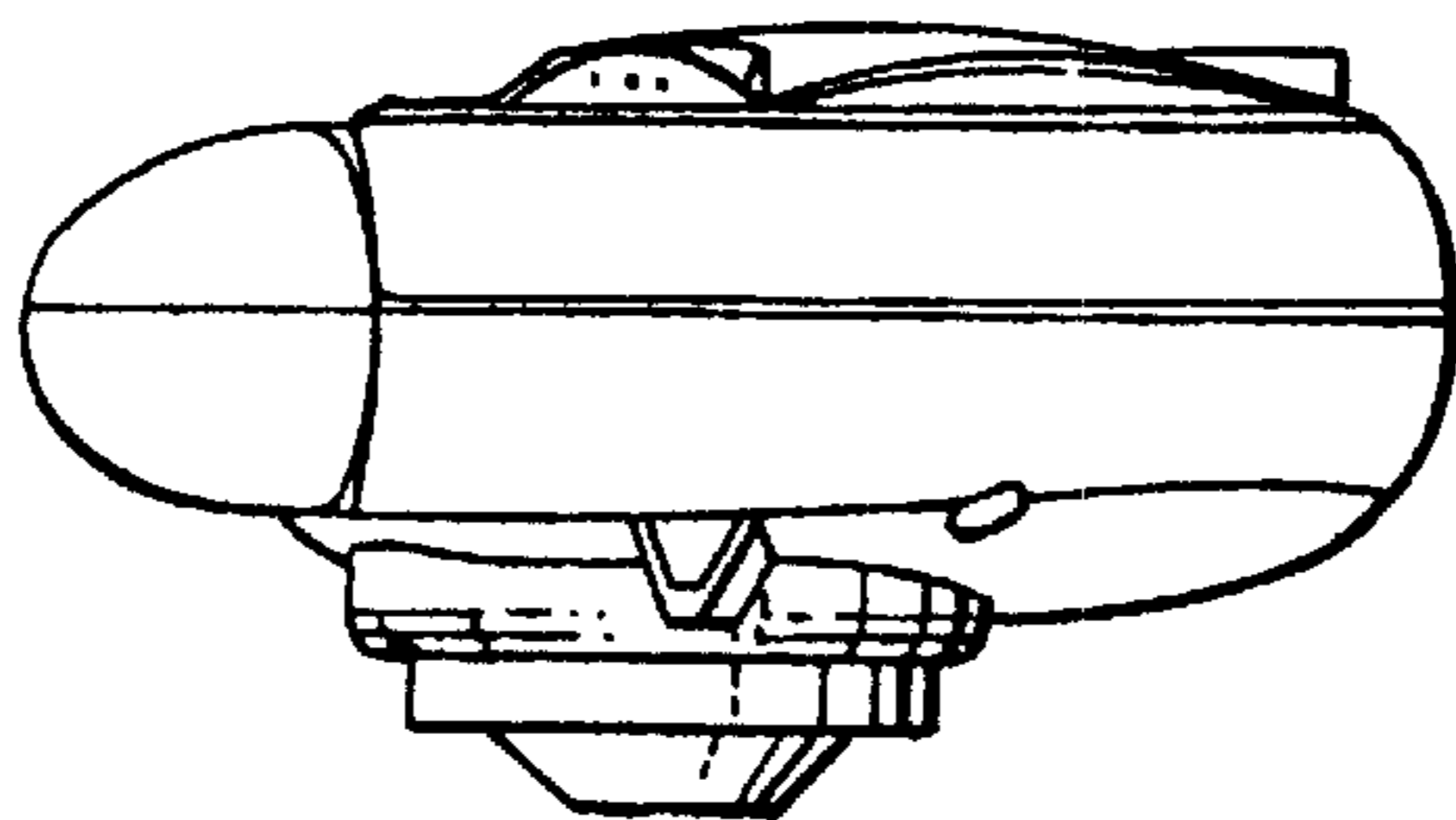


Fig. 6

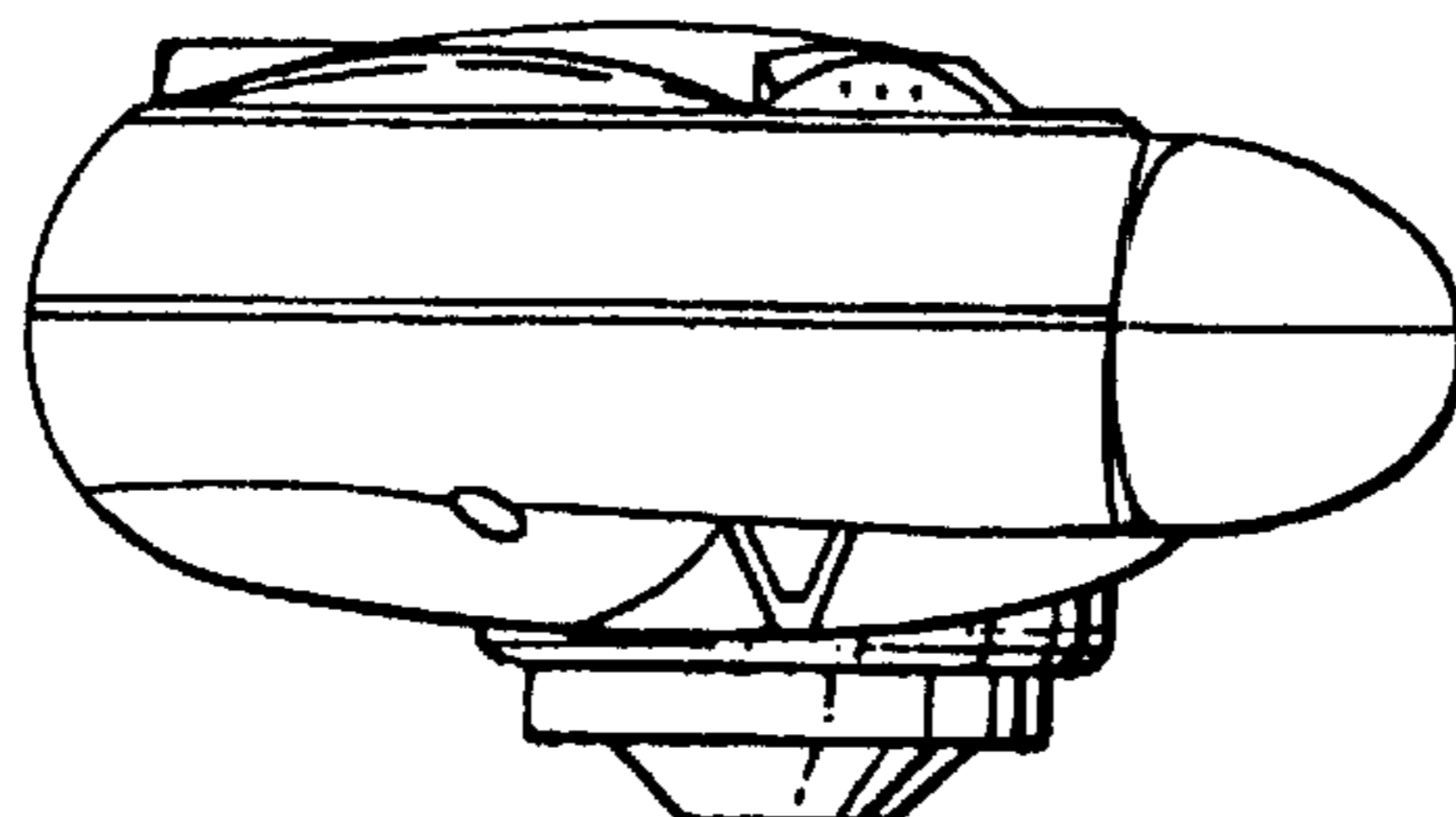


Fig. 7