



US00D459035S

(12) **United States Design Patent**
Baskinger et al.

(10) **Patent No.:** **US D459,035 S**
(45) **Date of Patent:** **** Jun. 18, 2002**

- (54) **FIRE EXTINGUISHER HOUSING**
- (75) Inventors: **Mark J. Baskinger**, Pittsburgh, PA
(US); **Andrzej Jan Wroblewski**,
Vancouver (CA)
- (73) Assignee: **The Board of Trustees of the**
University of Illinois, Urbana, IL (US)
- (**) Term: **14 Years**
- (21) Appl. No.: **29/143,419**
- (22) Filed: **Jun. 13, 2001**
- (51) **LOC (7) Cl.** **29-01**
- (52) **U.S. Cl.** **D29/125; D29/130; D6/561**
- (58) **Field of Search** **D29/125-130;**
D6/441, 446, 447, 561, 553; 169/51; 312/242,
138.1, 245, 247, 139

- 5,184,684 A * 2/1993 Kohlman 169/51
- D334,826 S 4/1993 McSheffrey et al.
- D342,809 S 12/1993 Thomas
- D411,651 S 6/1999 Fougousse
- 5,921,645 A * 7/1999 Lapi 312/242
- 6,003,964 A * 12/1999 Baker 312/245
- D435,741 S * 1/2001 Schlereth D6/446

* cited by examiner

Primary Examiner—Lucy Lieberman
(74) *Attorney, Agent, or Firm*—Greer, Burns & Crain, Ltd.

(57) **CLAIM**

The ornamental design for a fire extinguisher housing, as shown and described.

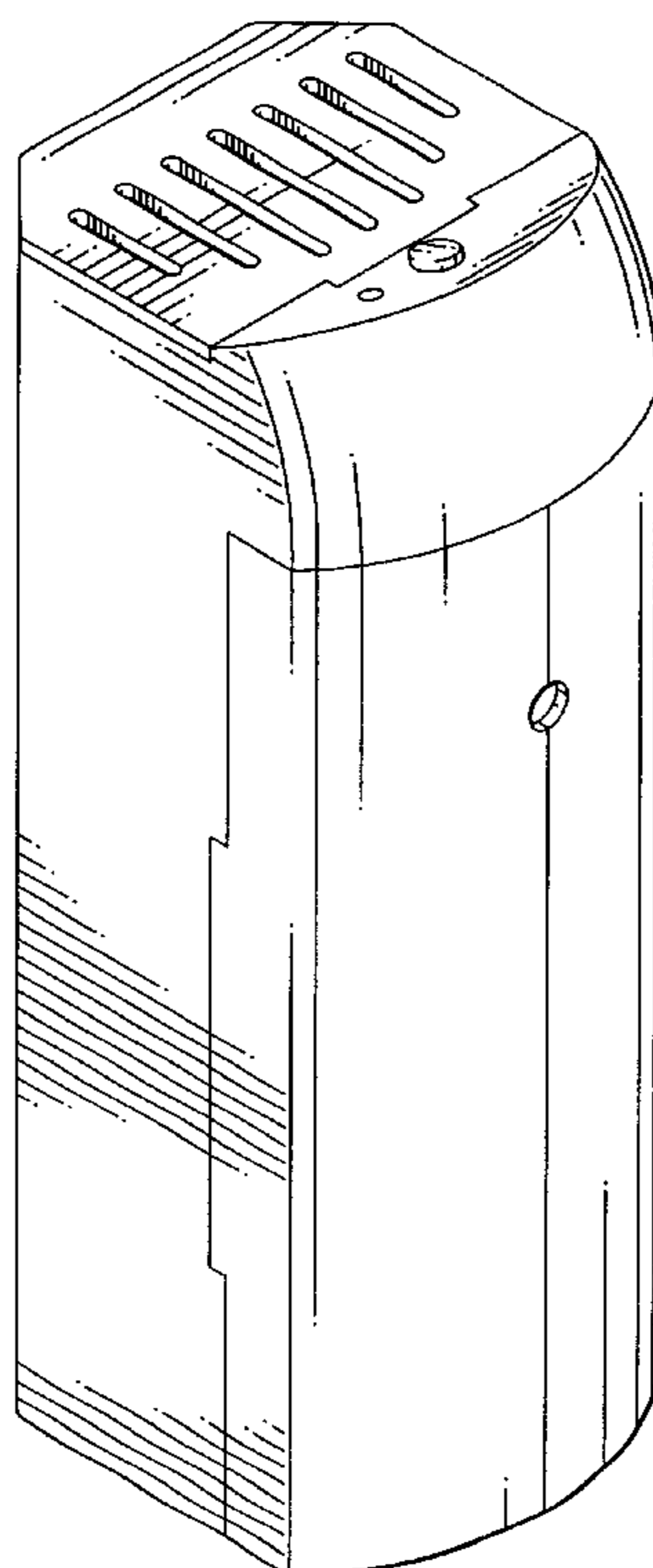
DESCRIPTION

FIG. 1 is a perspective view of a fire extinguisher housing showing the new design;
 FIG. 2 is a front view thereof;
 FIG. 3 is a side view thereof;
 FIG. 4 is a rear view thereof;
 FIG. 5 is a top view thereof;
 FIG. 6 is a bottom view thereof;
 FIG. 7 is a perspective view of the fire extinguisher housing in the open position;
 FIG. 8 is a front view of the design illustrated in FIG. 7;
 FIG. 9 is a side view of the design illustrated in FIG. 7;
 FIG. 10 is a rear view of the design illustrated in FIG. 7;
 FIG. 11 is a top view of the design illustrated in FIG. 7; and,
 FIG. 12 is a bottom view of the design illustrated in FIG. 7.

(56) **References Cited**
U.S. PATENT DOCUMENTS

D244,392 S	5/1977	Montambo	
D245,929 S	9/1977	Montambo	
D250,353 S	11/1978	Avant	
D250,377 S	11/1978	Dooley et al.	
D250,776 S	1/1979	Hard	
D251,464 S	* 4/1979	Masters	D29/130
D252,121 S	6/1979	Rutherford	
D252,127 S	6/1979	Stewart	
D257,091 S	* 9/1980	Crosble	D29/130
D259,160 S	* 5/1981	Crosble, Sr.	D29/130
D307,494 S	4/1990	Goodnight	
4,998,587 A	* 3/1991	Thomas	169/51

1 Claim, 10 Drawing Sheets



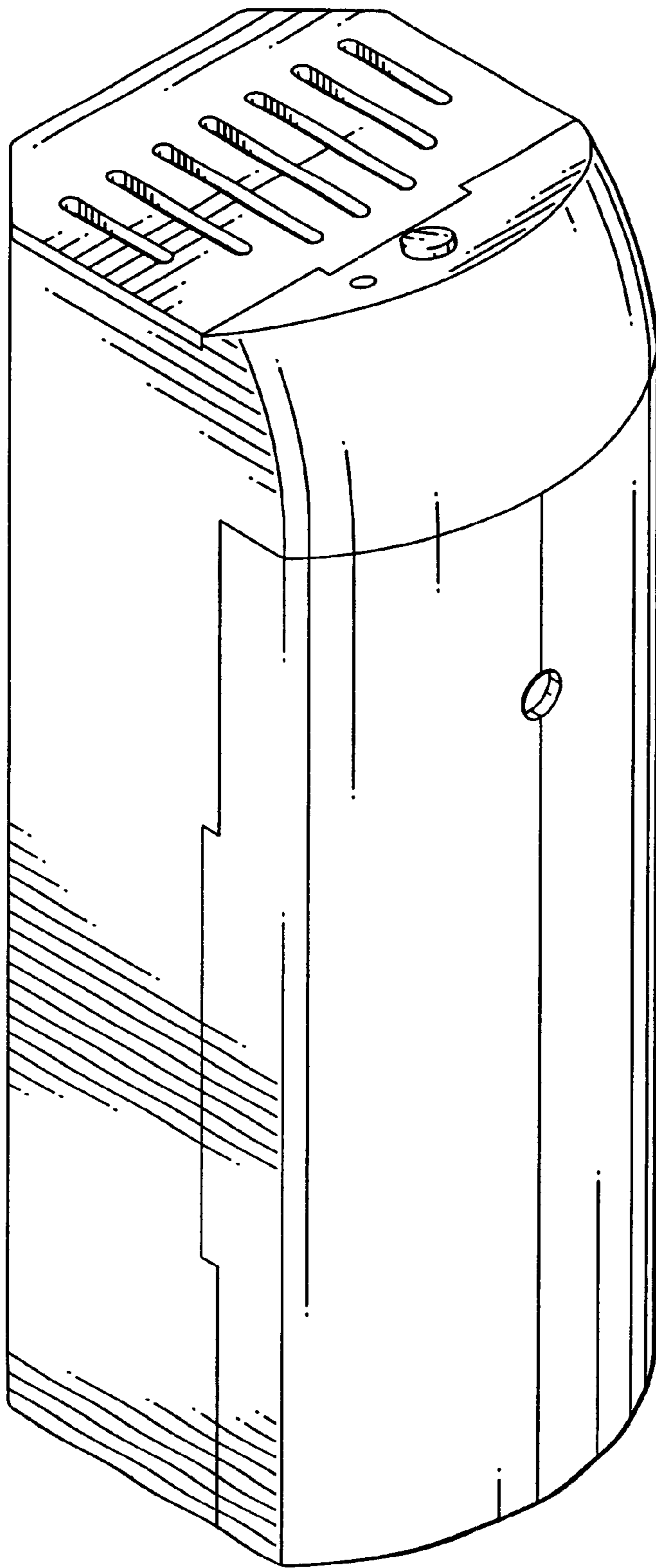


FIG.1

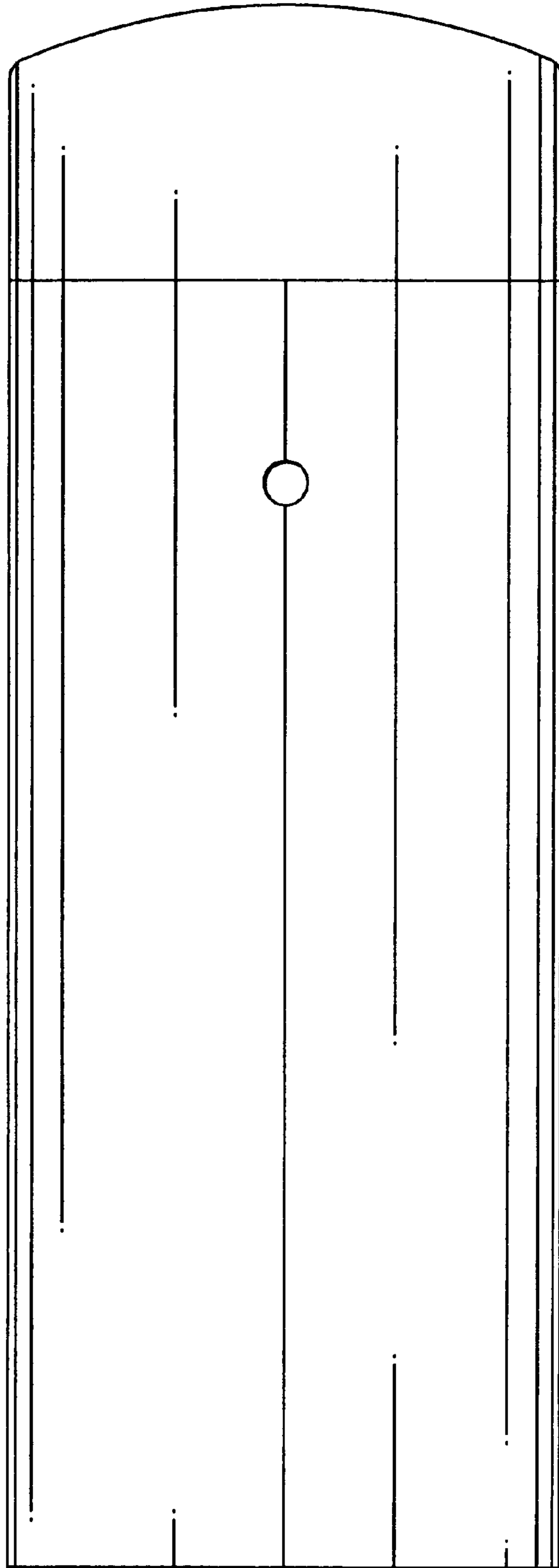


FIG.2

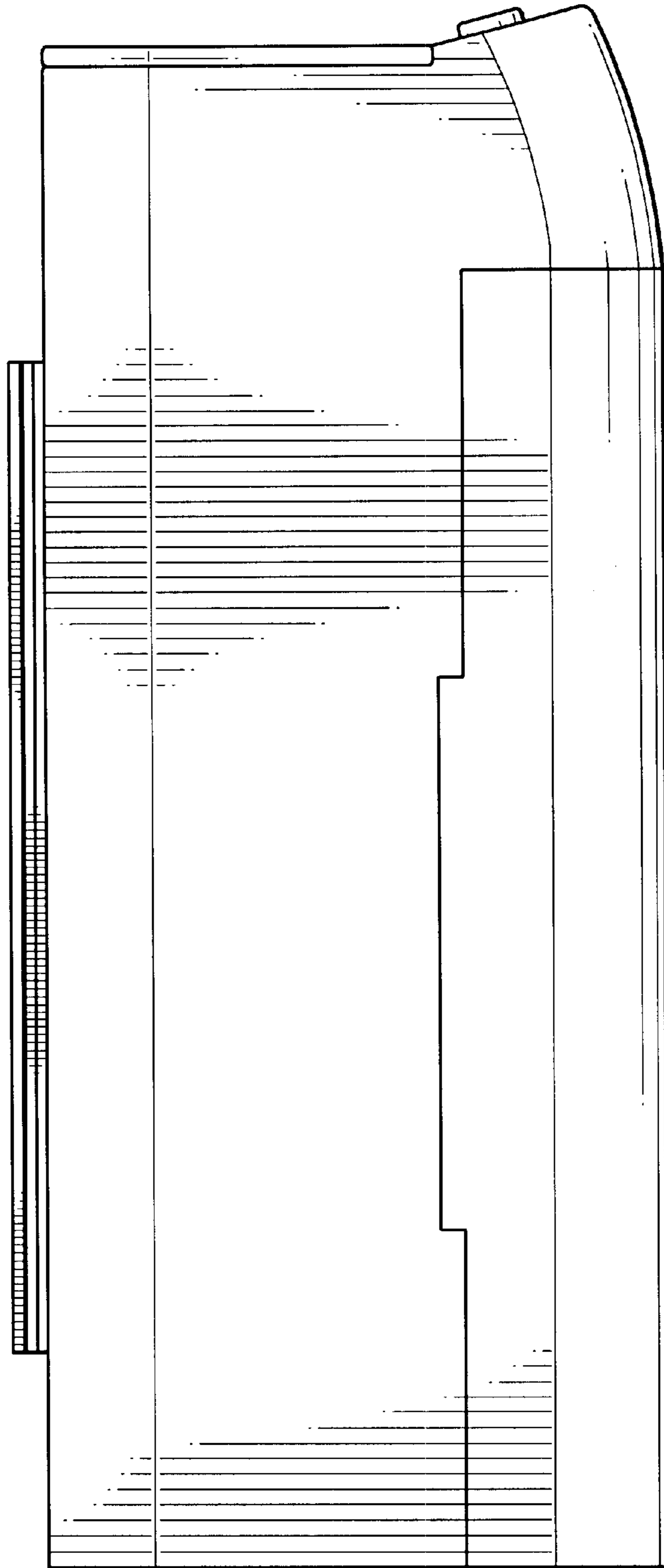


FIG.3

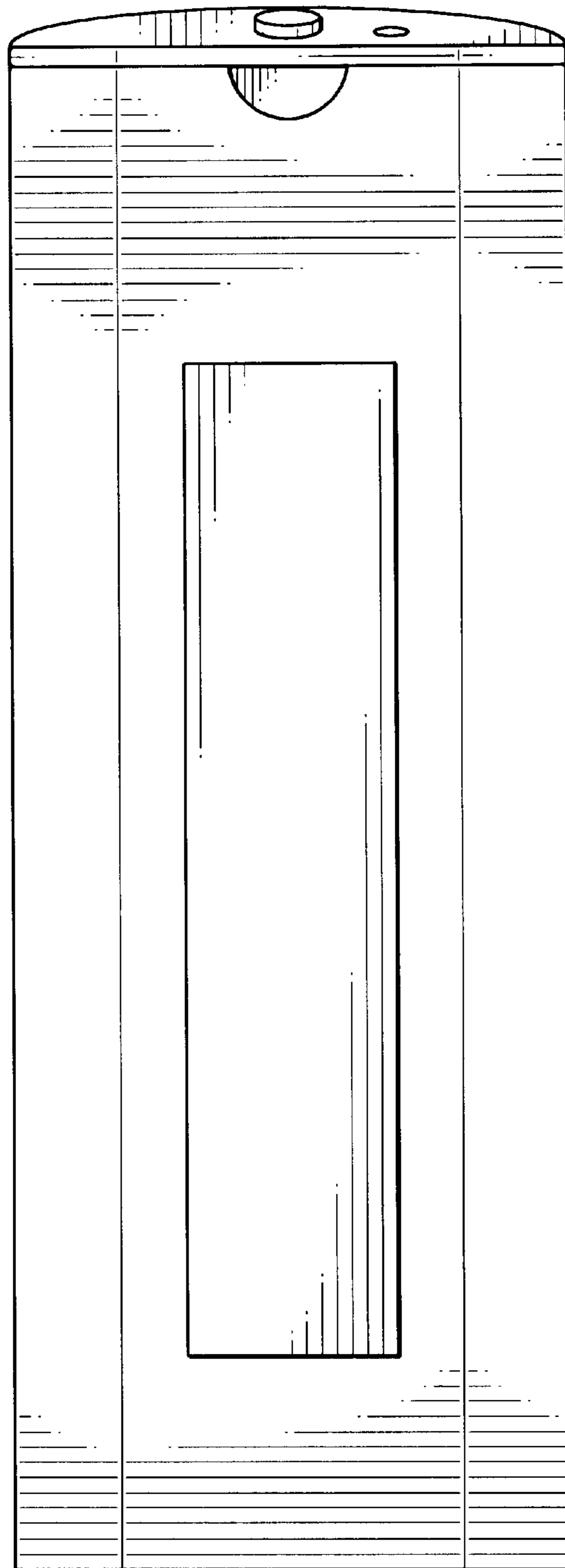


FIG.4

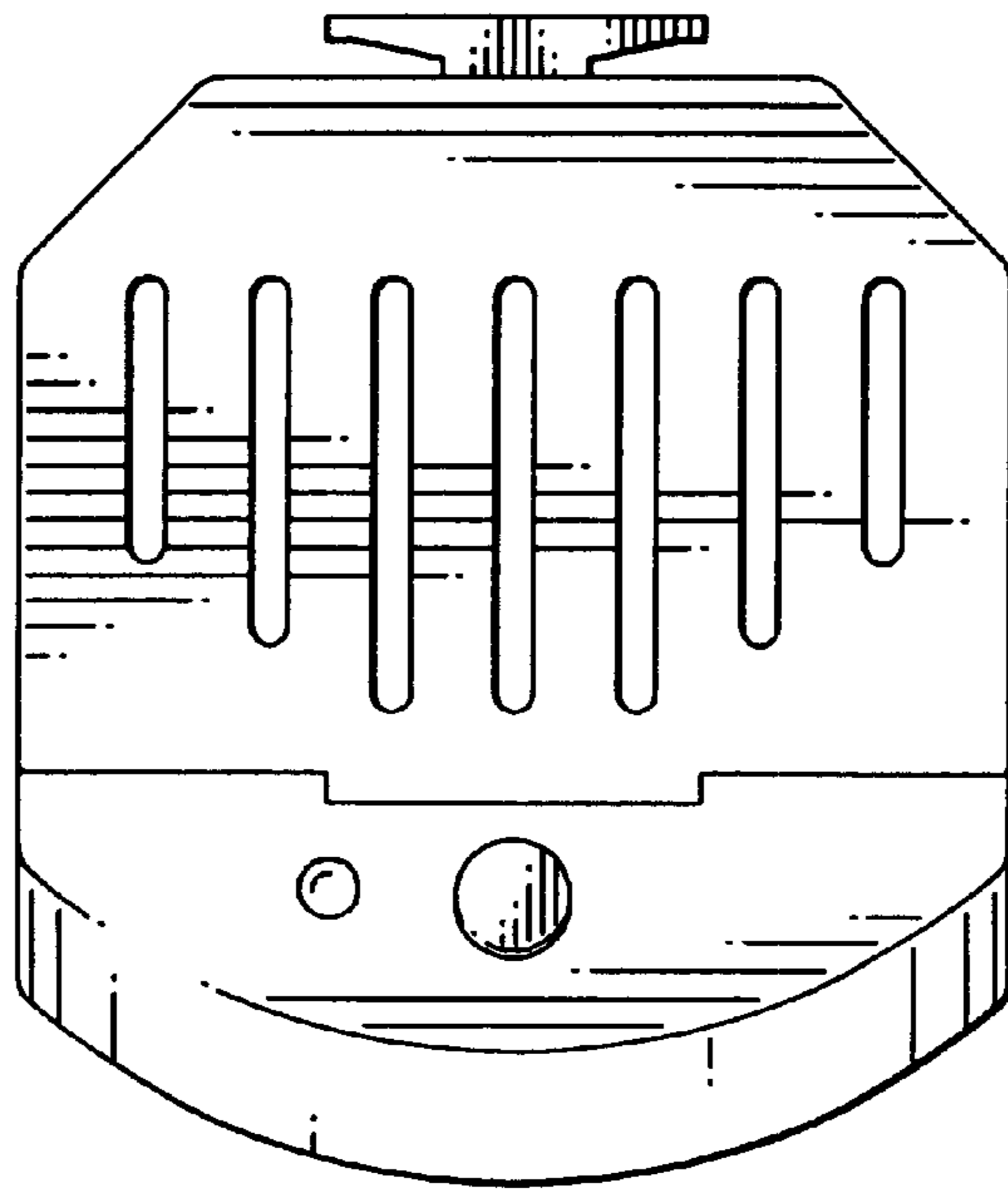


FIG. 5

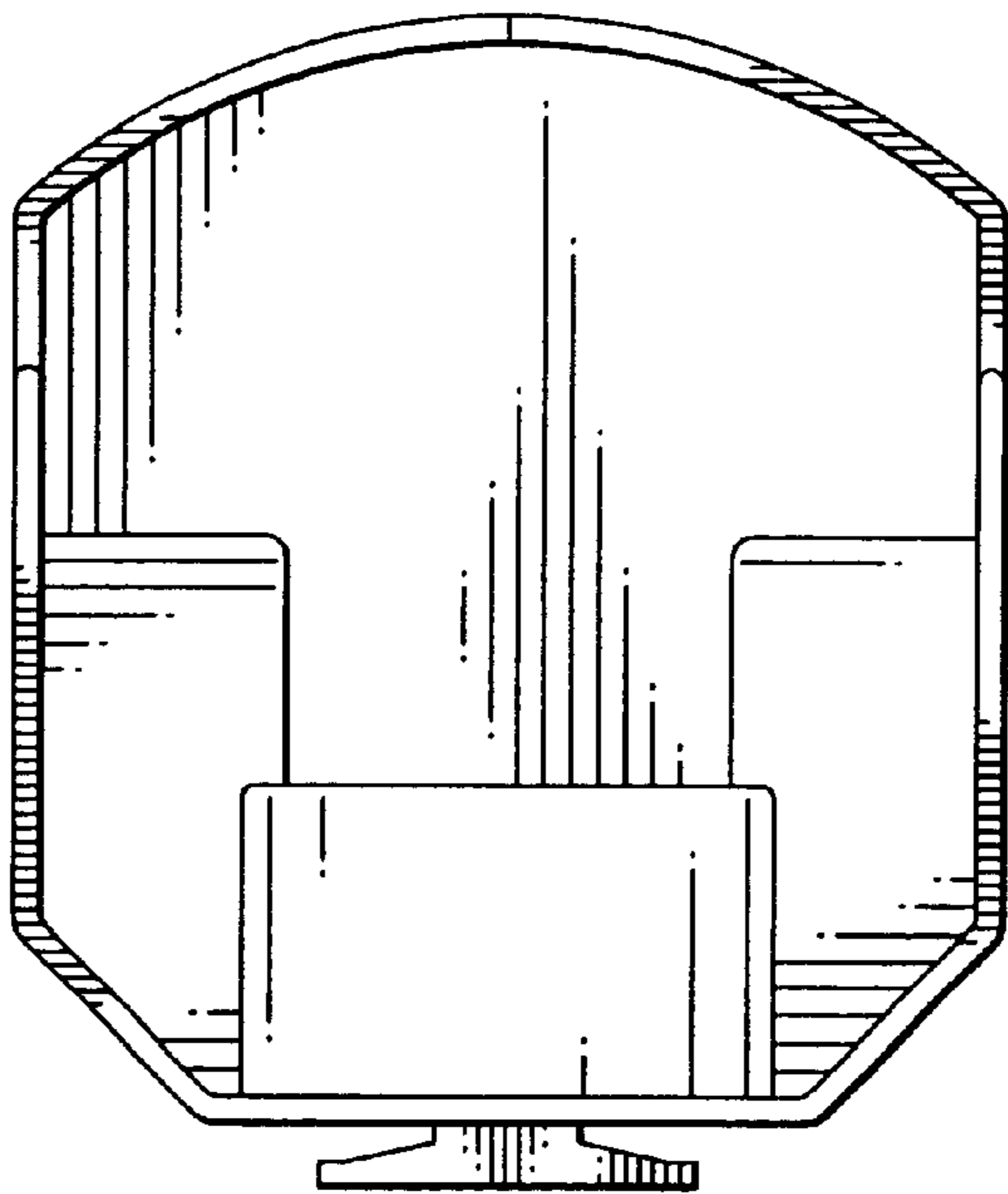


FIG. 6

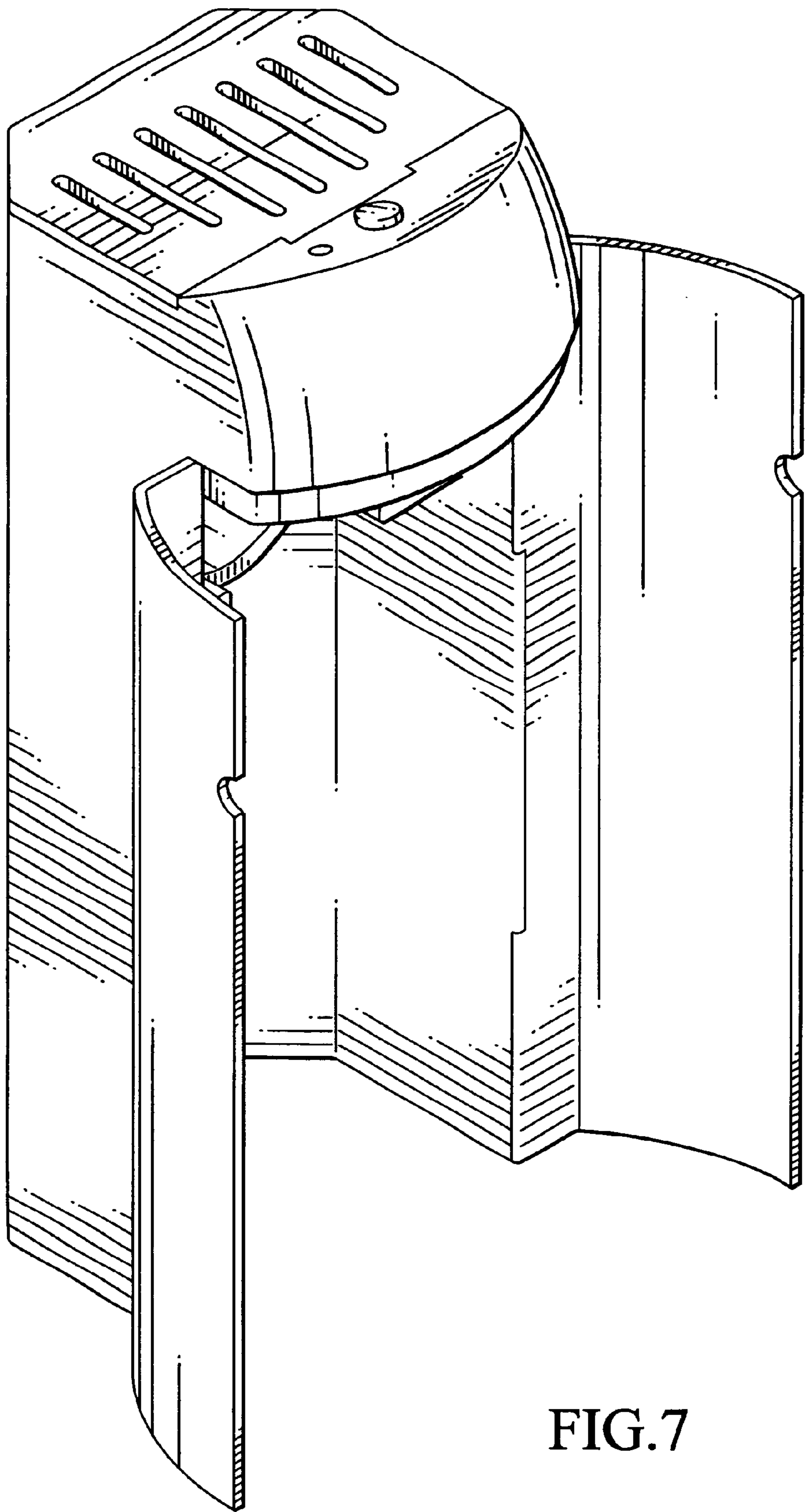


FIG.7

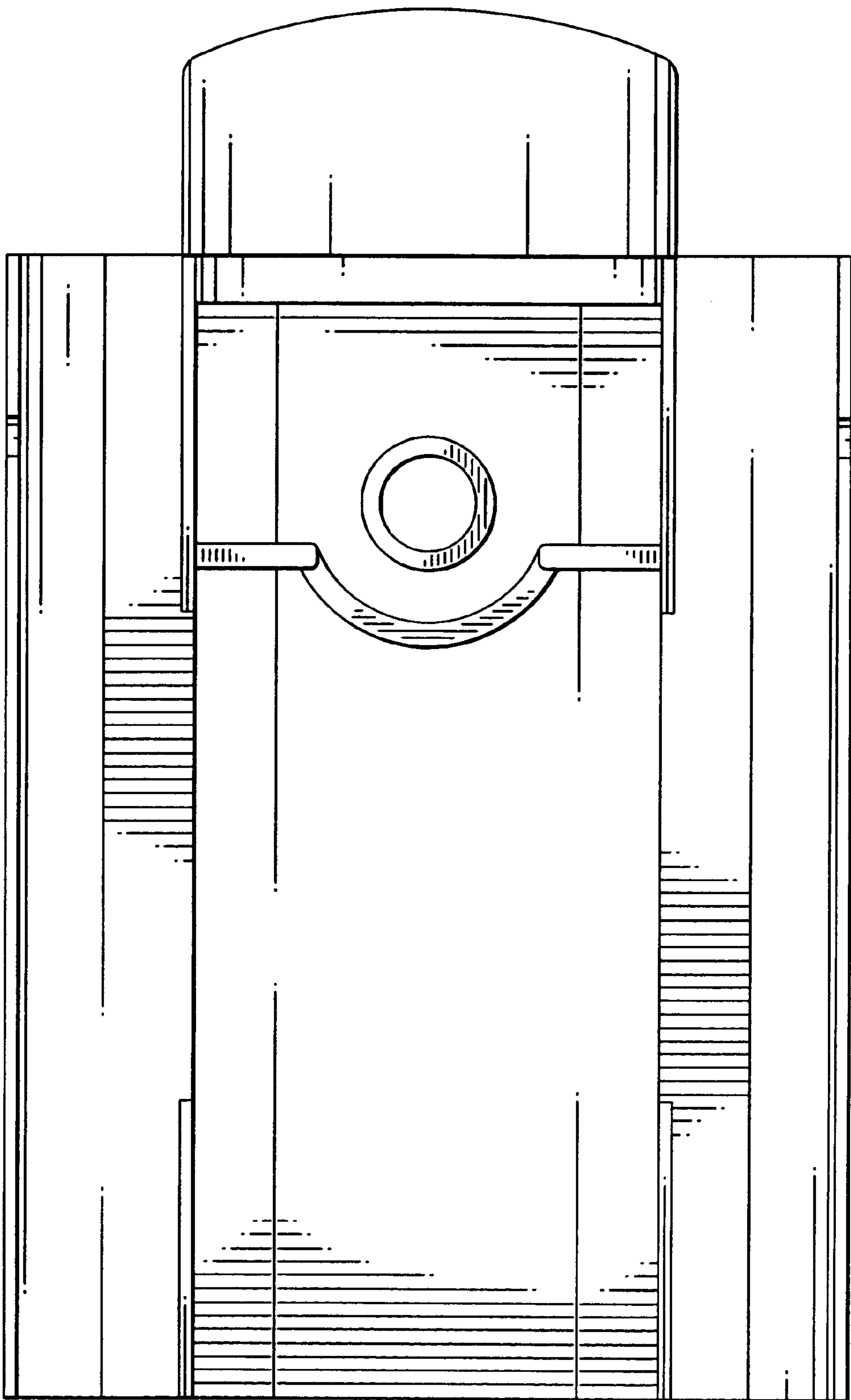


FIG. 8

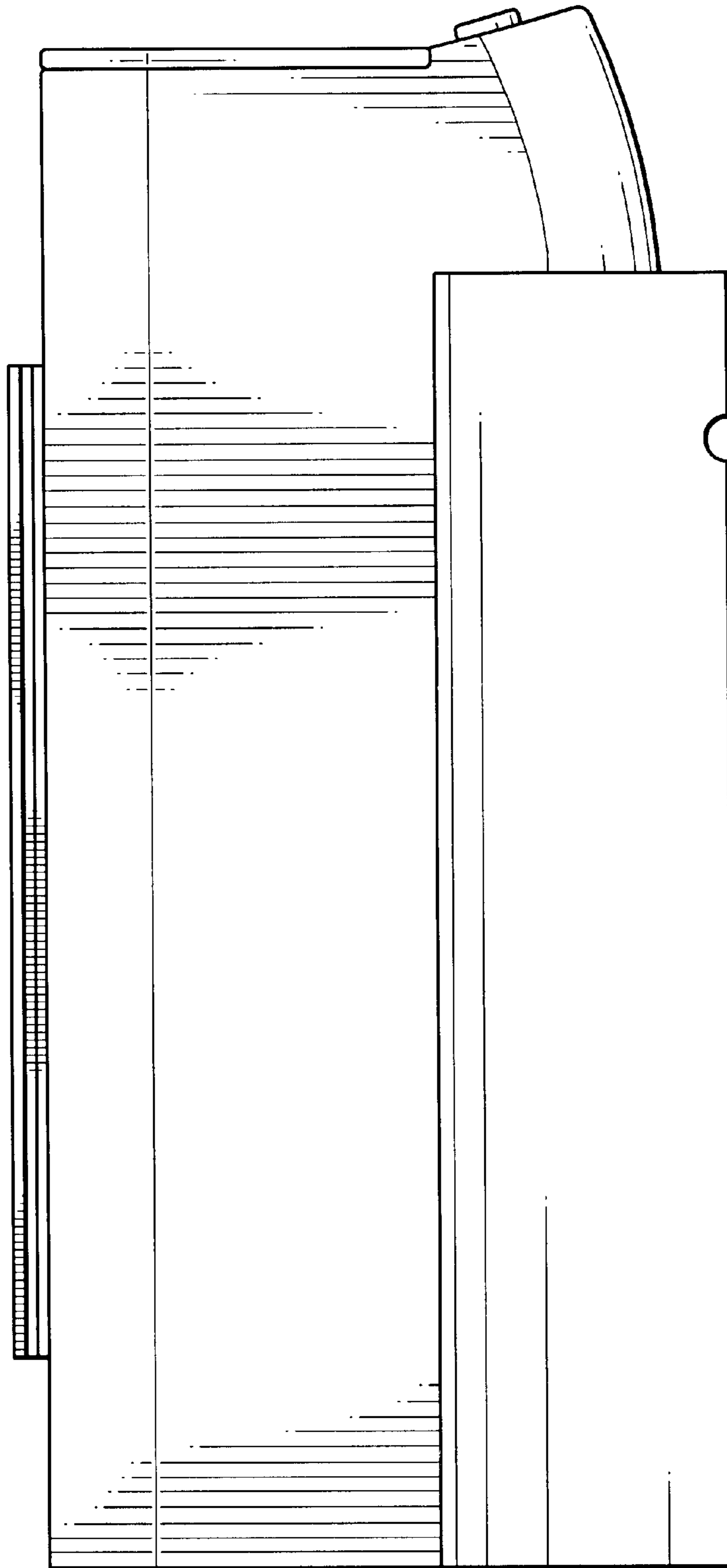


FIG.9

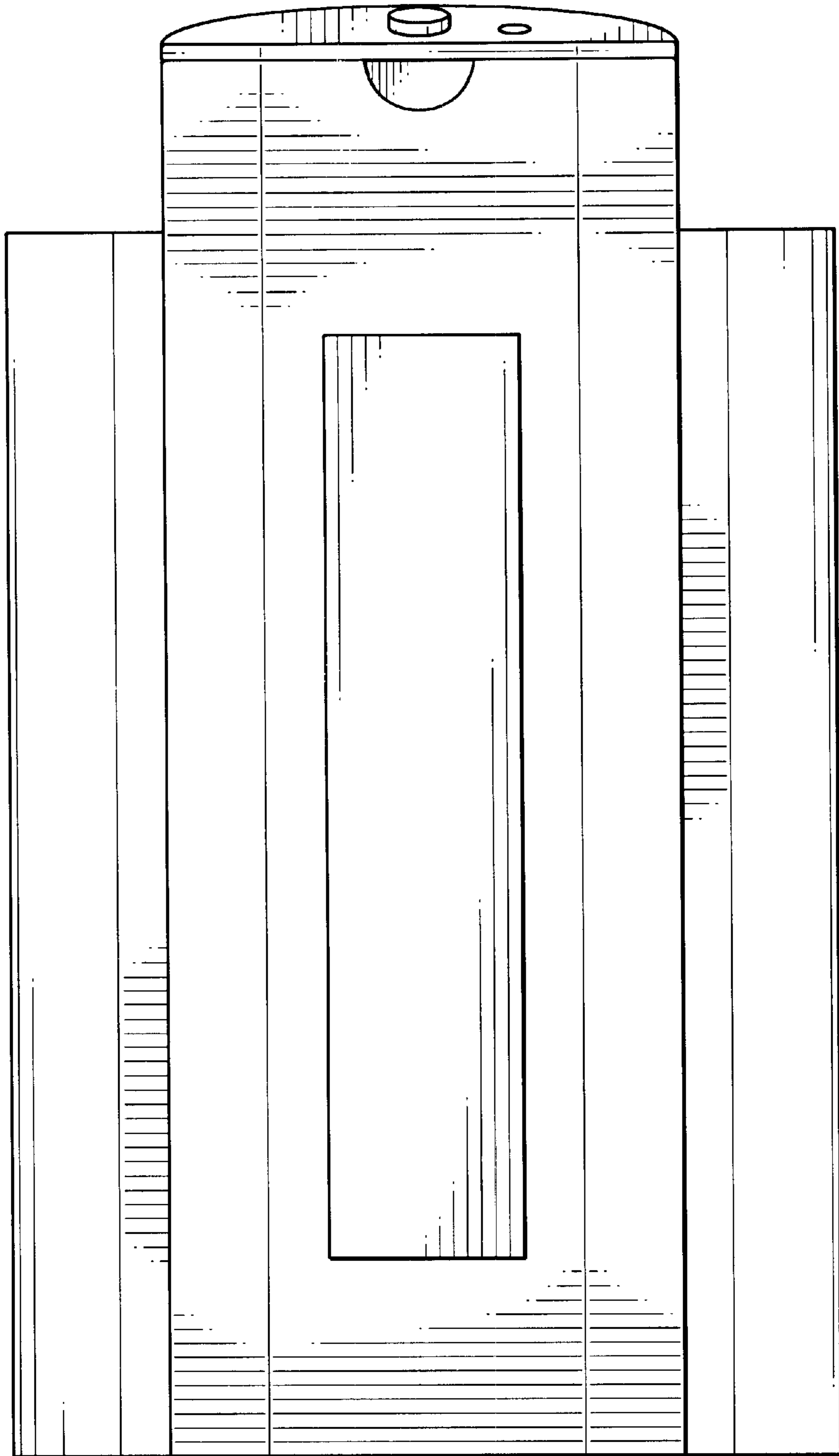


FIG. 10

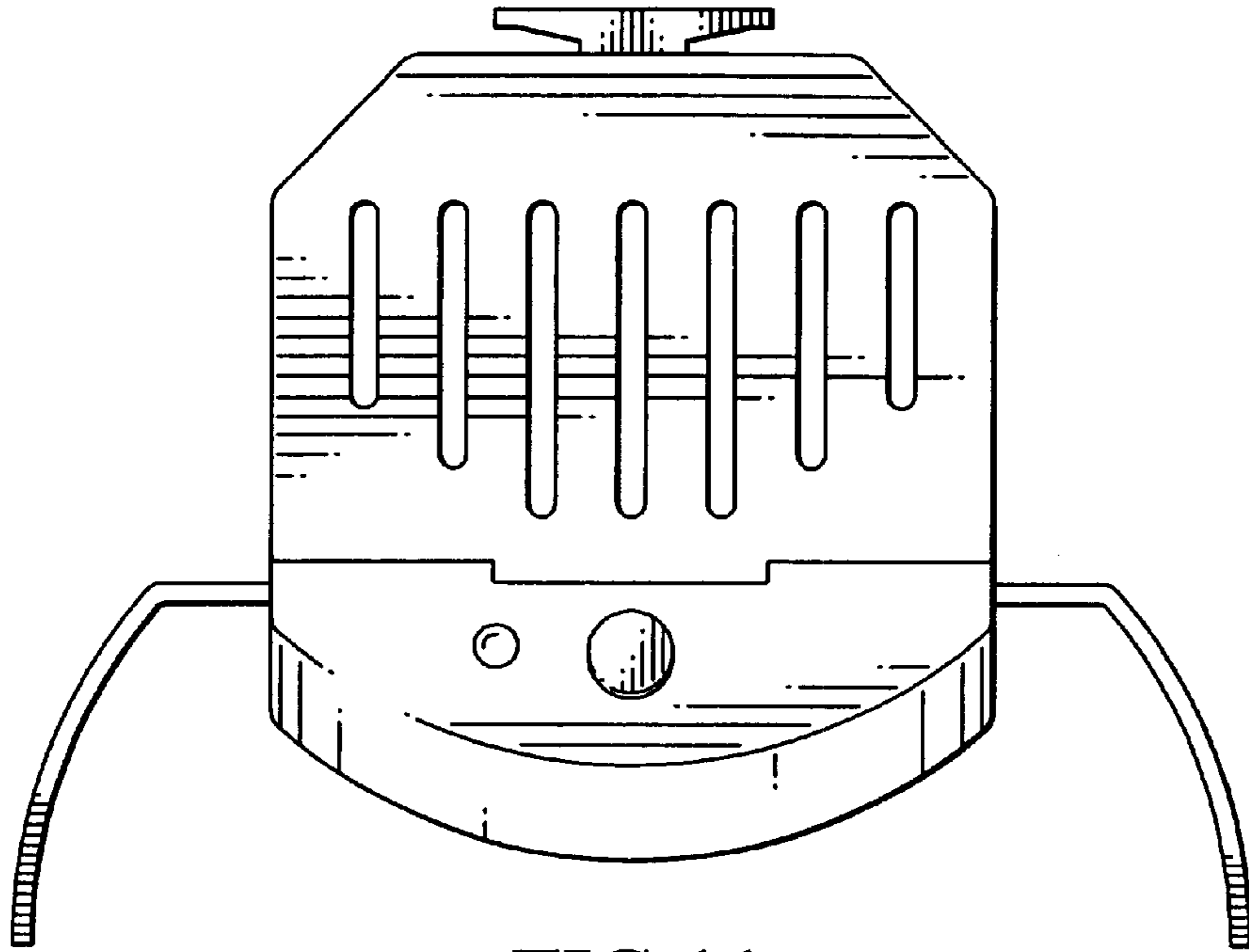


FIG. 11

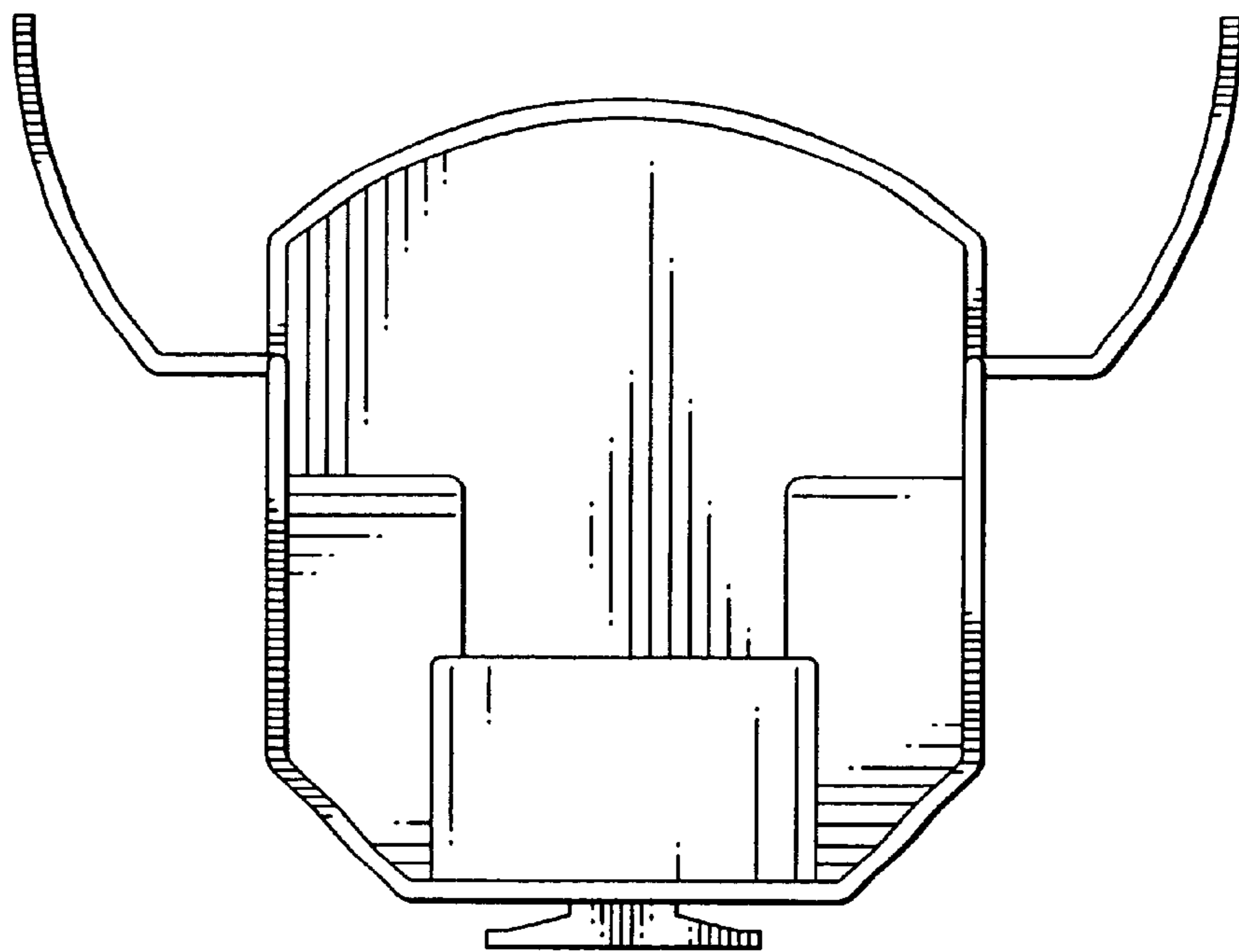


FIG. 12