



US00D459020S

(12) **United States Design Patent**
Shen

(10) **Patent No.:** **US D459,020 S**

(45) **Date of Patent:** **** Jun. 18, 2002**

(54) **GLASS CONTAINER FOR MOTION LAMP**

Primary Examiner—Jennifer Rivard

(74) *Attorney, Agent, or Firm*—David E. Dougherty

(76) **Inventor:** **Hung-Huai Shen**, 2Fl., No. 18, Lane
52, Shikuen 1st St., Banchiau City,
Taipei (TW)

(57) **CLAIM**

(**) **Term:** **14 Years**

The ornamental design for glass container for motion lamp,
as shown and described.

(21) **Appl. No.:** **29/139,379**

DESCRIPTION

(22) **Filed:** **Mar. 30, 2001**

(51) **LOC (7) Cl.** **26-99**

(52) **U.S. Cl.** **D26/125; D26/129**

(58) **Field of Search** D26/113, 118–137;
D9/545; 362/362, 363, 806, 351, 355, 356,
361

FIG. 1 is a perspective view of a glass container for motion
lamp showing my new design;

FIG. 2 is a side elevation view thereof;

FIG. 3 is a top plan view thereof;

FIG. 4 is a front elevation view thereof;

FIG. 5 is a bottom plan view thereof;

FIG. 6 is an elevation view of side opposite to FIG. 2; and

FIG. 7 is a rear elevation view thereof; and,

FIG. 8 is a perspective view of a glass container for motion
lamp; the broken line disclosure of the motion lamp is shown
for illustrative purposes only and forms no part of the
claimed design.

(56) **References Cited**

U.S. PATENT DOCUMENTS

D64,847 S * 6/1924 Gillinder D26/129

6,117,504 A * 9/2000 Yoshikawa 362/363

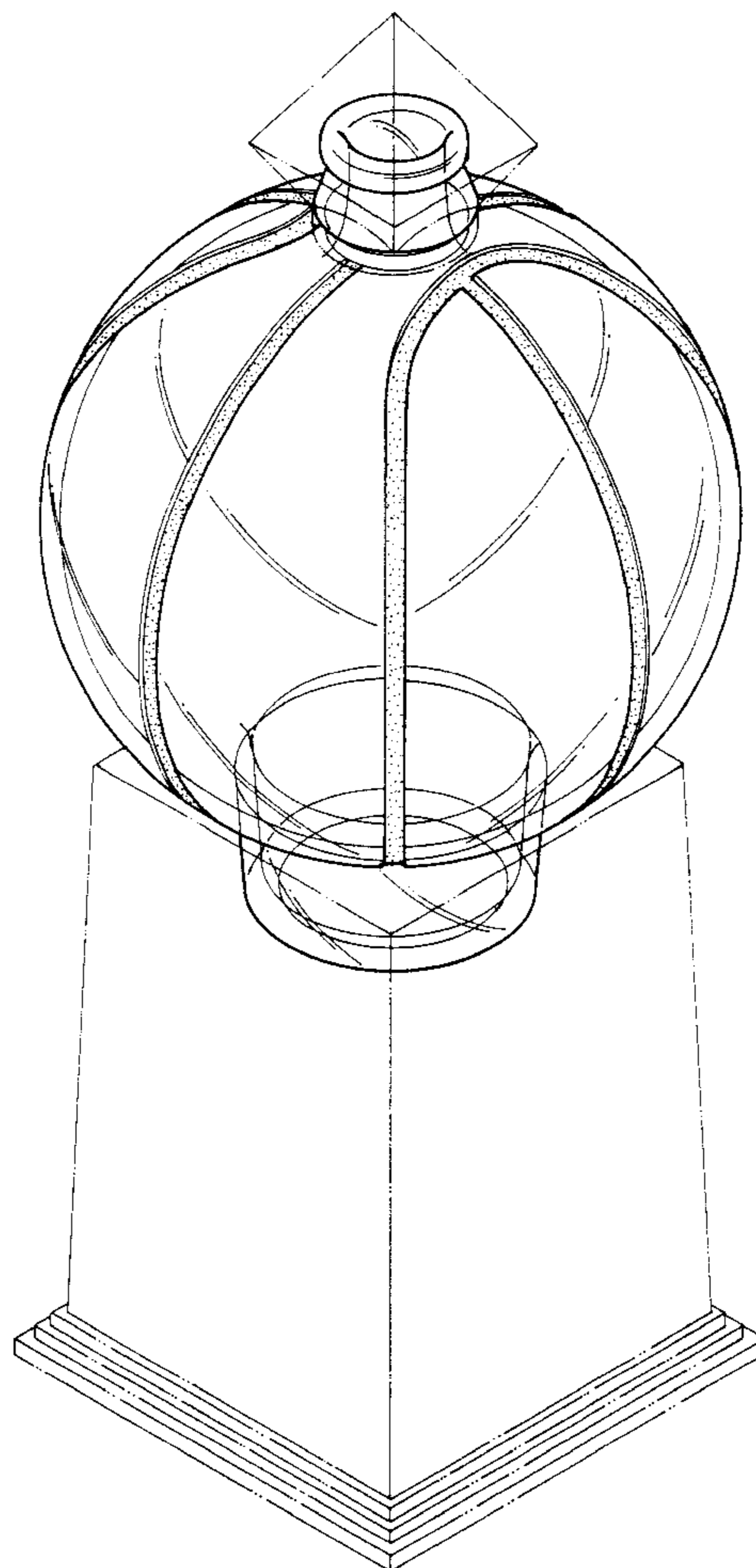
D449,532 S * 10/2001 Modjeski D9/545

FOREIGN PATENT DOCUMENTS

JP 220450 * 9/1970 D26/118

* cited by examiner

1 Claim, 7 Drawing Sheets



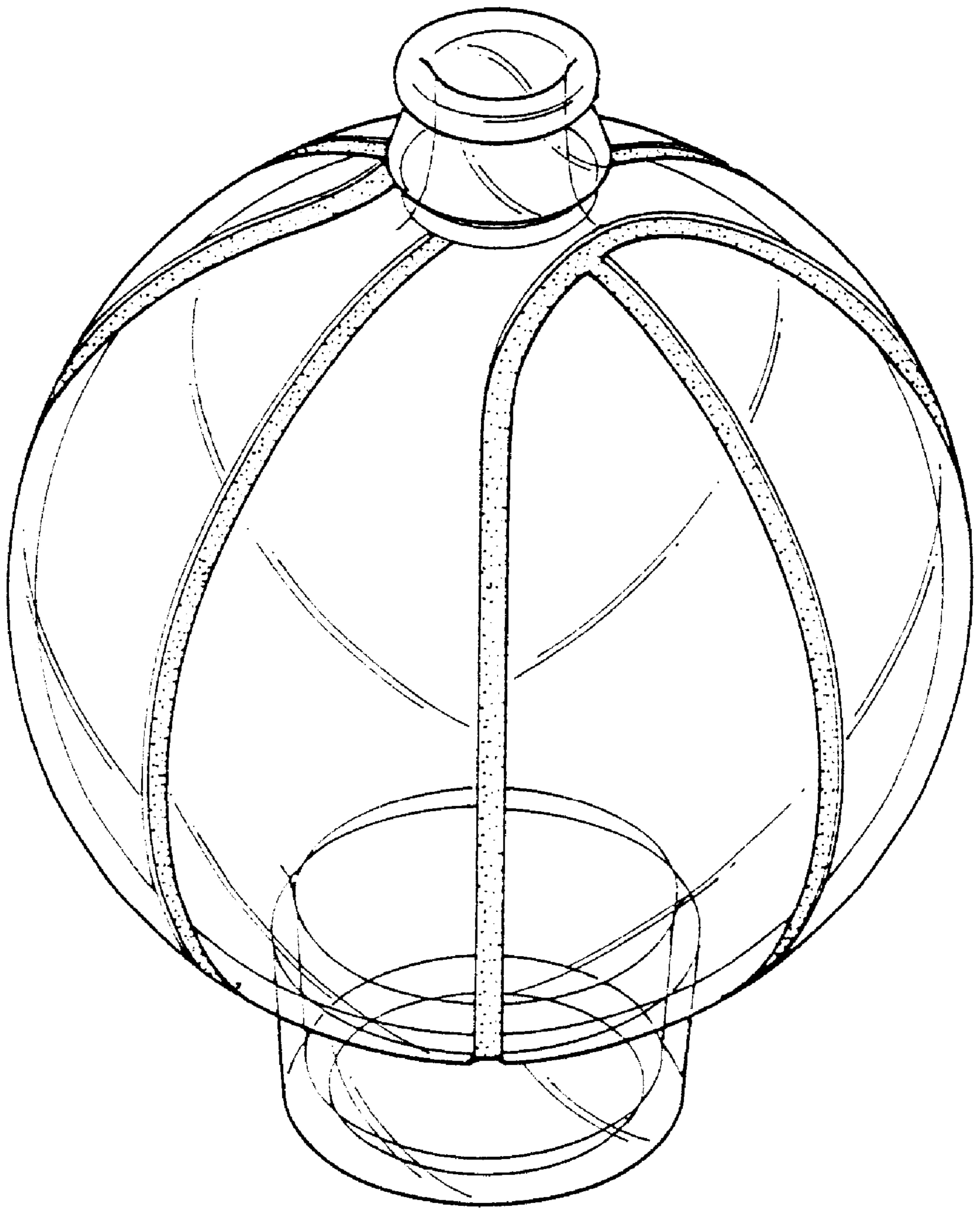


FIG. 1

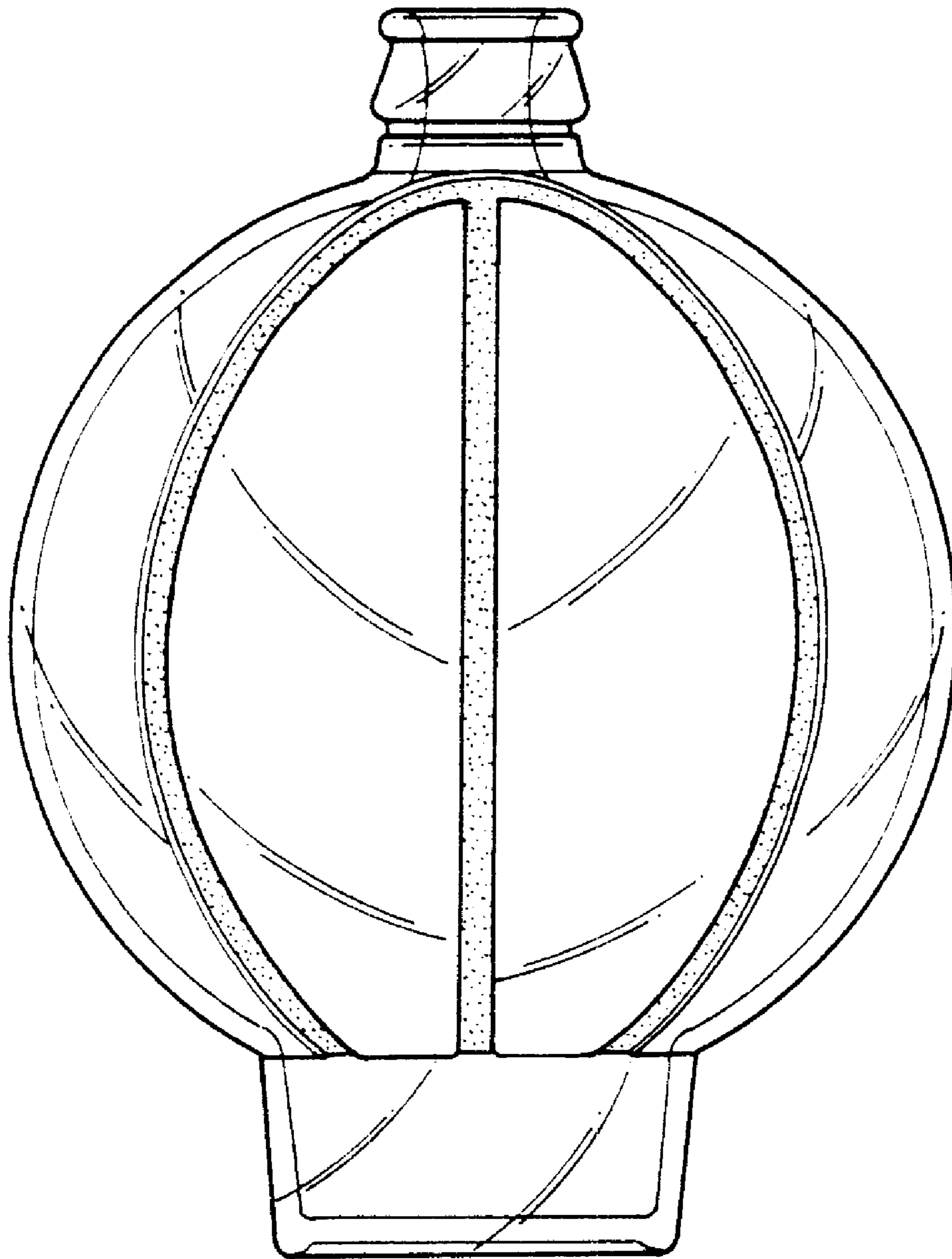


FIG. 2

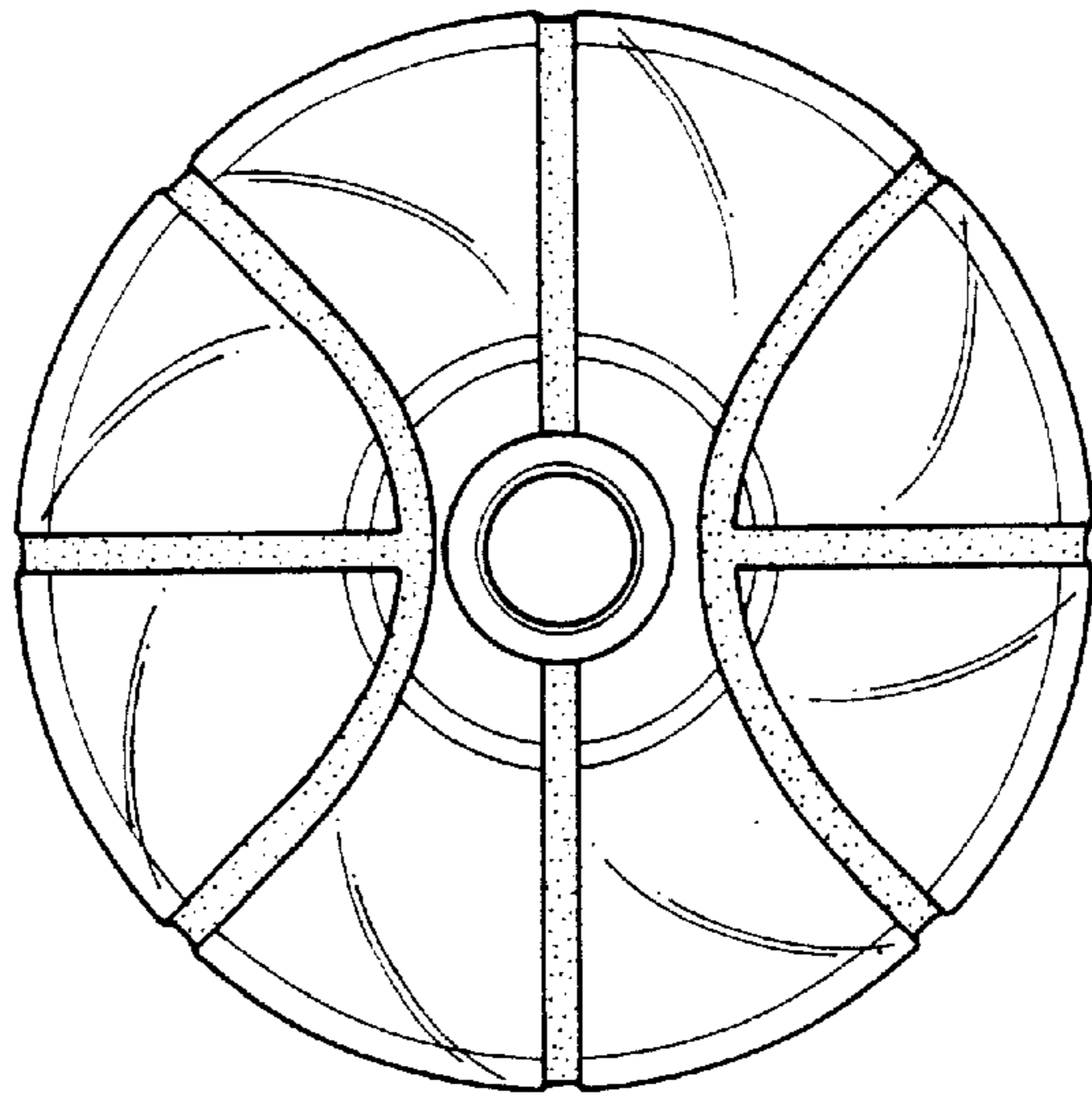


FIG. 3

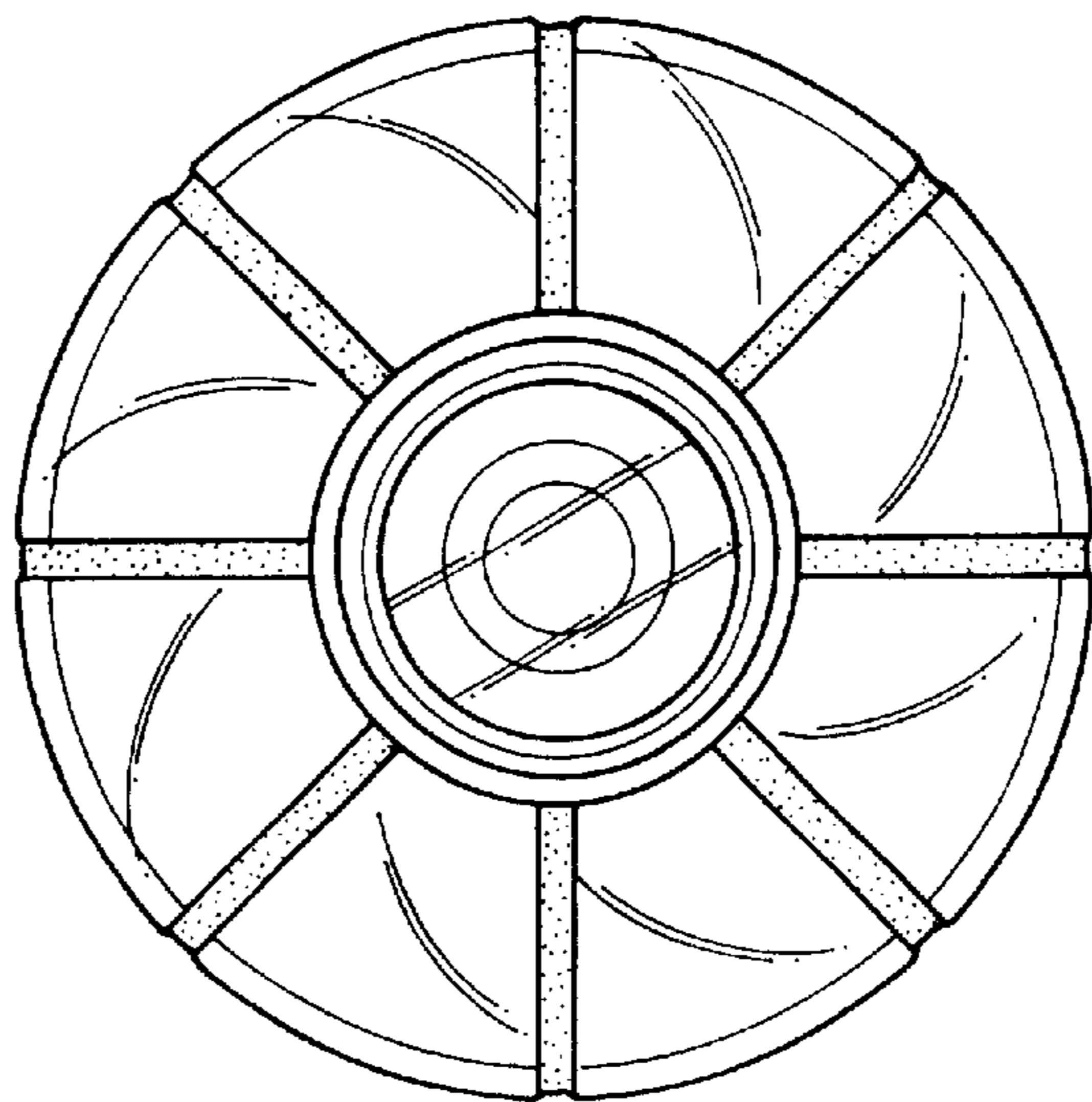


FIG. 5

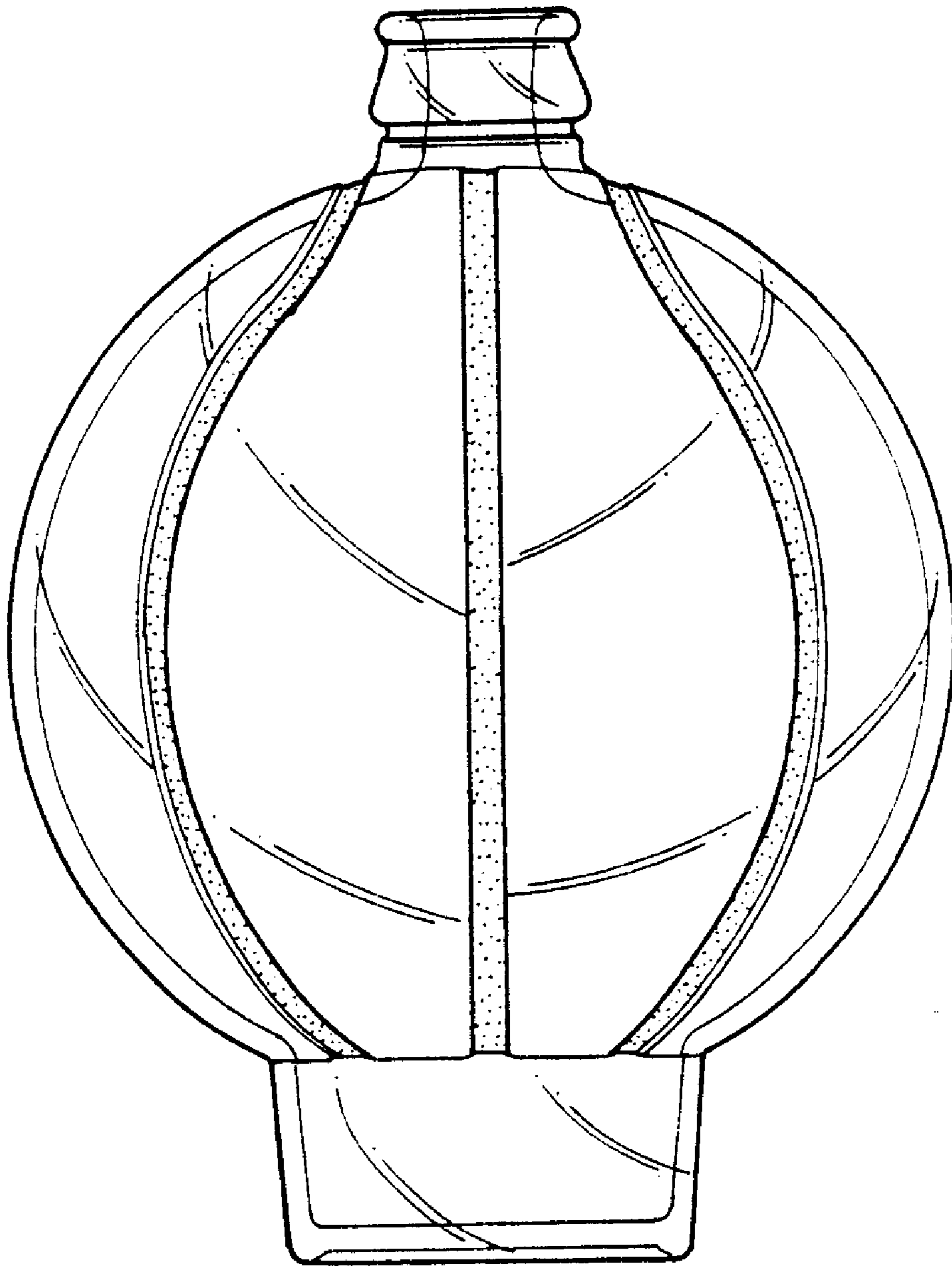


FIG. 4

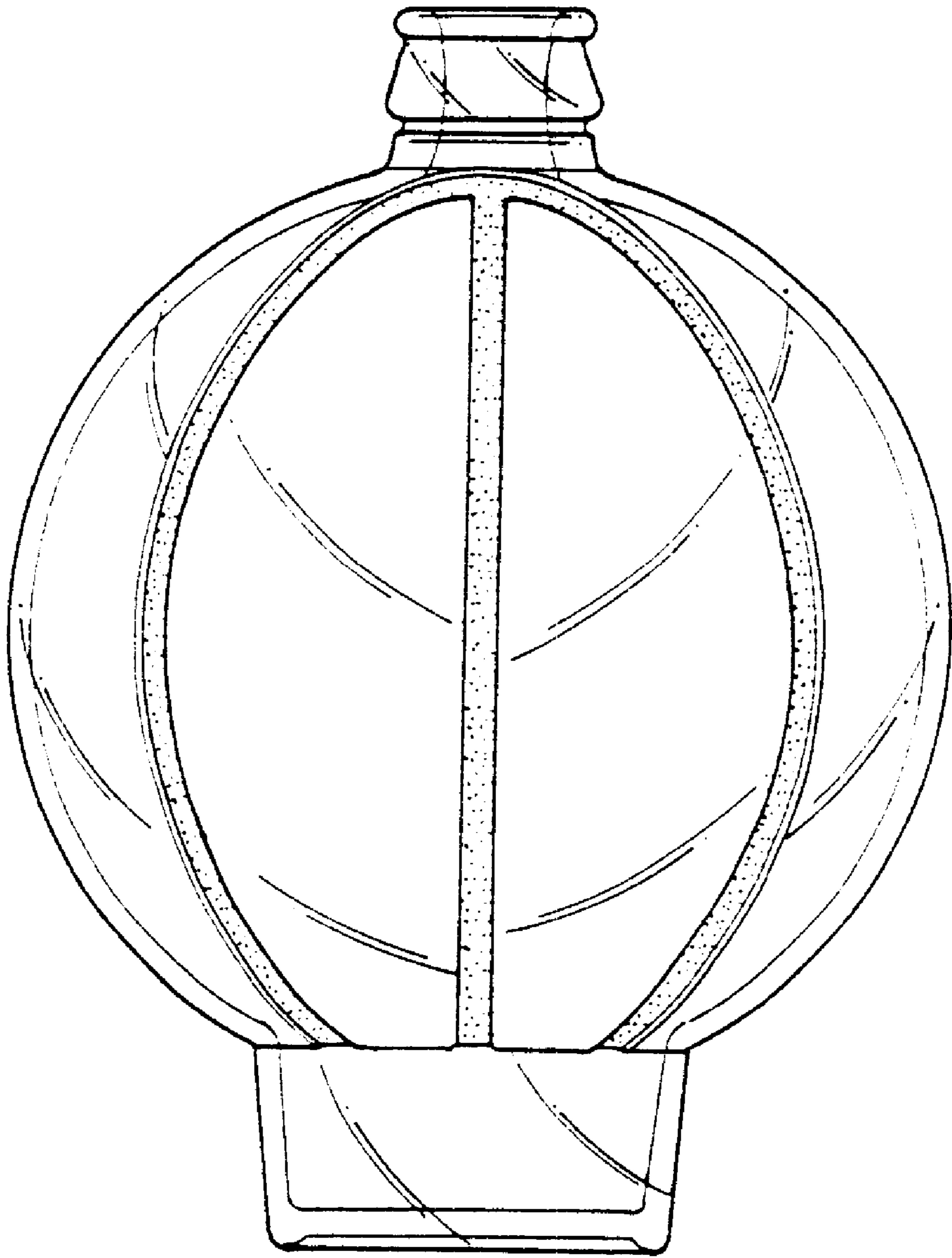


FIG. 6

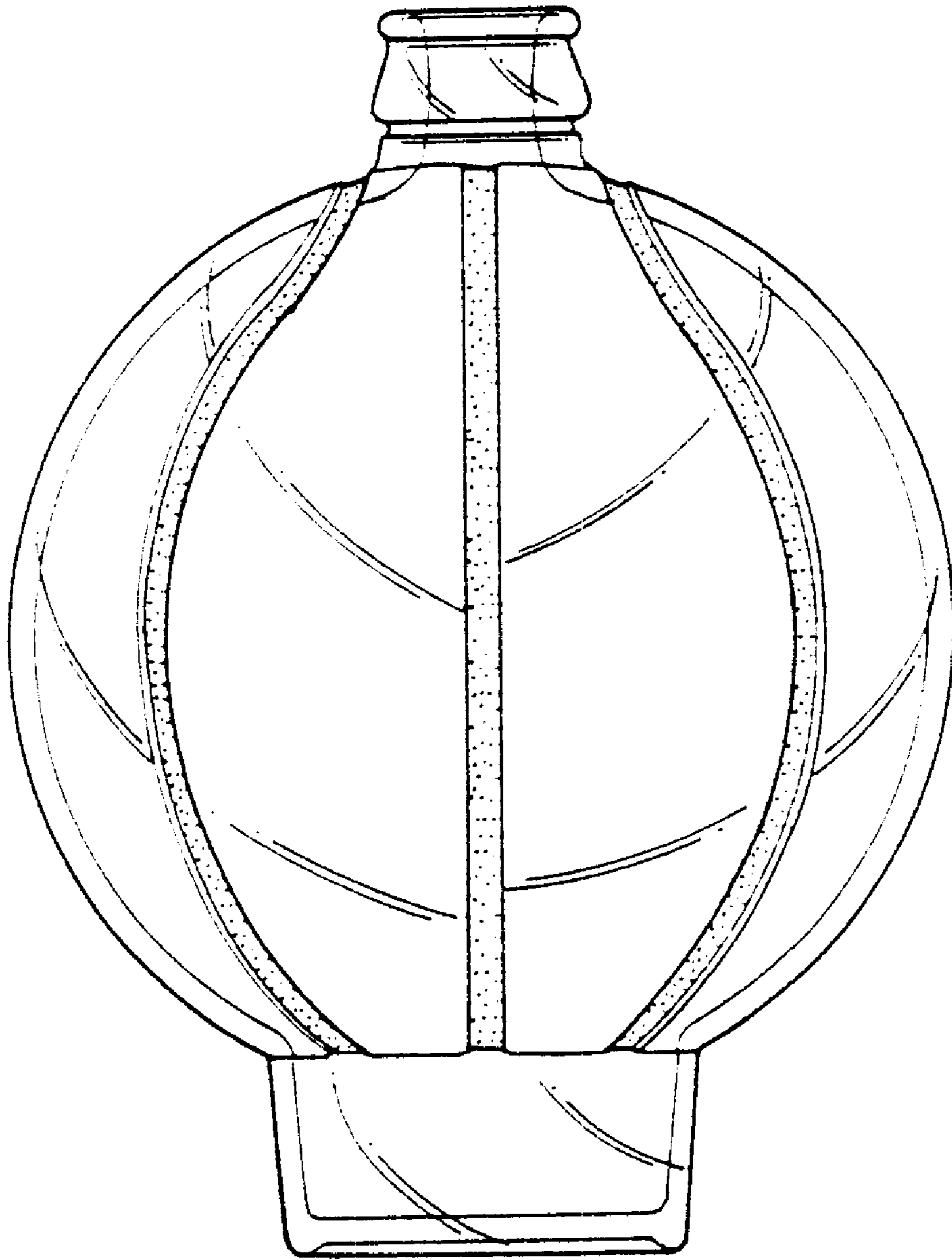


FIG. 7

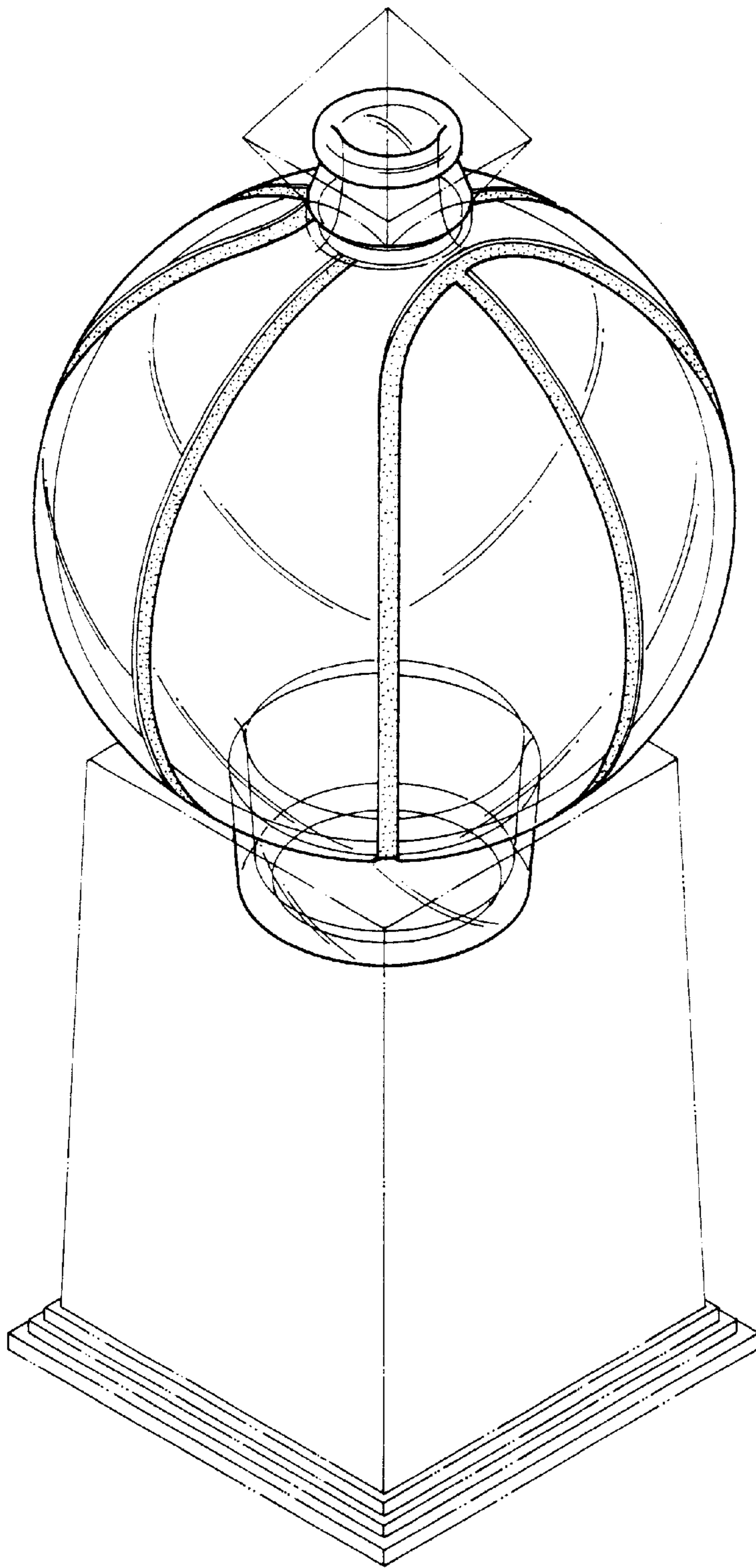


FIG. 8