



US00D459018S

(12) **United States Design Patent**
Dolan

(10) **Patent No.:** **US D459,018 S**

(45) **Date of Patent:** **** Jun. 18, 2002**

(54) **COMBINED TORCHIERE LAMP AND ADJUSTABLE ACCENT LIGHTS**

(76) **Inventor:** **Patrick S. Dolan**, 1901 NW. Upshur, Portland, OR (US) 97209

(**) **Term:** **14 Years**

(21) **Appl. No.:** **29/148,850**

(22) **Filed:** **Sep. 28, 2001**

(51) **LOC (7) Cl.** **26-03**

(52) **U.S. Cl.** **D26/102**

(58) **Field of Search** D26/61-66, 93, D26/102-112; 362/410-414, 431, 275, 277-287, 413, 427, 428, 430

(56) **References Cited**

U.S. PATENT DOCUMENTS

5,221,141 A	6/1993	Swanson	
D347,904 S	6/1994	Swanson	
D353,904 S	12/1994	Swanson	
D423,705 S	4/2000	Swanson	
D426,909 S	6/2000	Swanson	
D427,358 S	6/2000	Swanson	
D427,359 S	6/2000	Swanson	
D427,360 S	6/2000	Swanson	
D427,361 S	6/2000	Dolan	
D427,710 S	7/2000	Swanson	
D432,704 S	10/2000	Swanson	
D444,908 S	7/2001	Dolan	
D451,232 S	* 11/2001	Dolan D26/102

OTHER PUBLICATIONS

Grandrich, Cerritos, CA, 1999, p. 49 Model—G1107.
Trend Lighting, Arcadia, CA, 1997, #151597 p. 3 Model TFS818.
Kenroy, Jacksonville, FL, 2001, p. 26 Model 20545 BL.
Kenroy, Jacksonville, FL, 2001, p. 39 Model 20515BB.

Kenroy, Jacksonville, FL, 2001, p. 28 Model 20566 BS
Kenroy/Hunter, Jacksonville, FL, 1998, p. 51 Model 20711 BS.
Light Stuff, NY NY, 1996, p. 9 Model 1121.
Diamond Classics, Arcadia, CA, 1993, p. 24, Model D5561-07.
Lite Source, Inc., Chino, CA, 1998, p. S-262 Model LS-9434.
Adesso Lighting, NY, NY. 1997, p. 19, Model 1122.
Adesso, NY, NY, 1997, Supplement p. 3 Model 7504.
Diamond Classics, Arcadia, CA, 1993, p. 27 # D5560-07.
Lightolier, Jersey City, NJ, Cat. 27058, 1985 p. 100 Model # 7106.
Kovacs, Glendale, NY, 1998, p. 11 # 3320.
Kovacs, Glendale NY, 1998, p. 7 # 3322.

* cited by examiner

Primary Examiner—Alan P. Douglas
Assistant Examiner—Linda Brooks

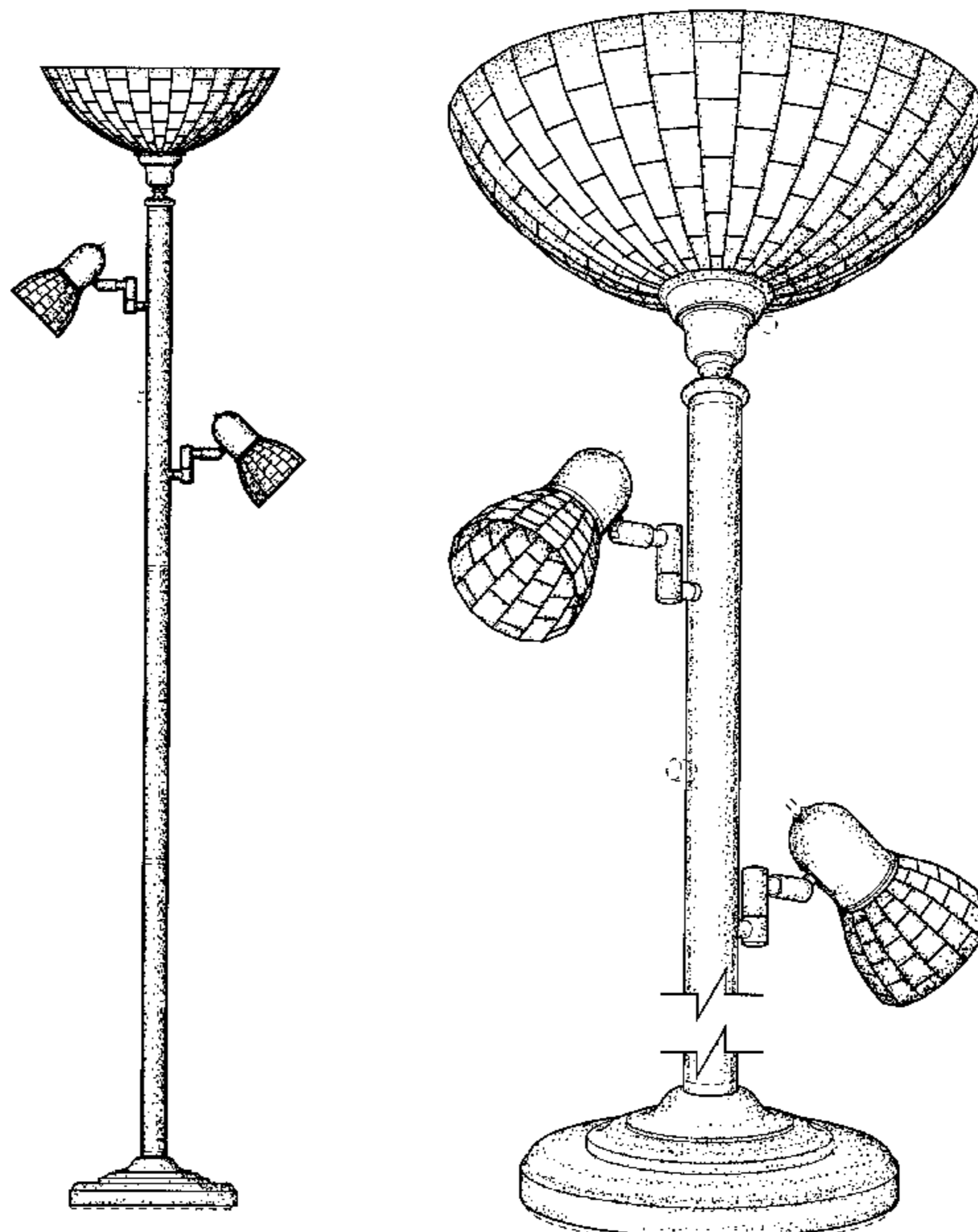
(57) **CLAIM**

The ornamental design for a combined torchiere lamp and adjustable accent lights, as shown and described.

DESCRIPTION

FIG. 1 is a full front elevational view thereof;
FIG. 2 is an enlarged fragmentary perspective view, for clarity of illustration;
FIG. 3 is a front elevational view of FIG. 2;
FIG. 4 is a right side view of FIG. 2;
FIG. 5 is a left side view of FIG. 2;
FIG. 6 is a top plan view of FIG. 2; and,
FIG. 7 is a bottom plan view of FIG. 2.
The broken line showing of environmental structure in FIGS. 1-7 is for illustrative purposes only and forms no part of the claimed design.

1 Claim, 7 Drawing Sheets



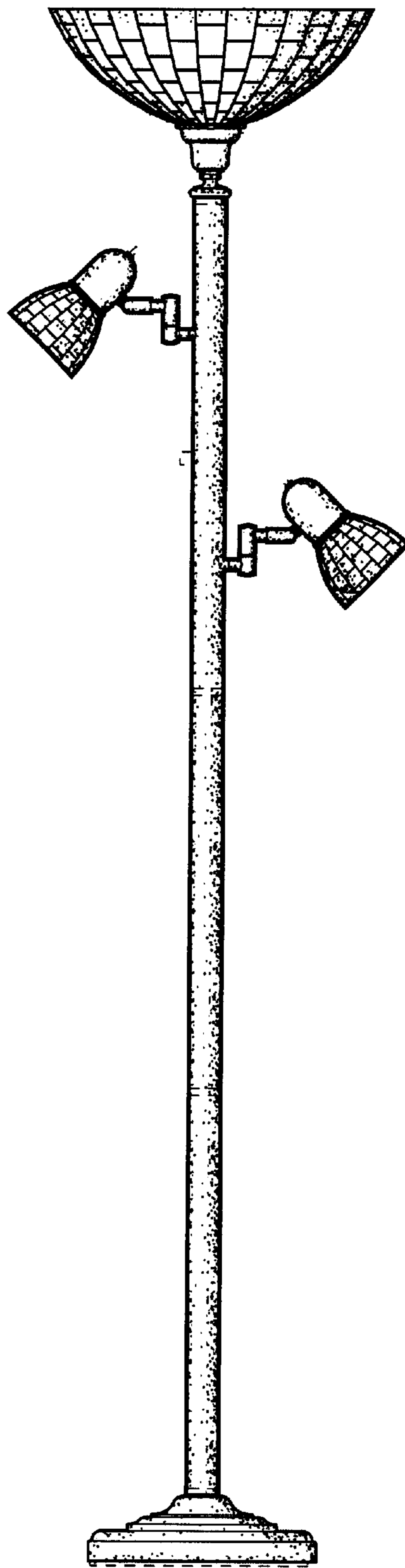


FIG. 1

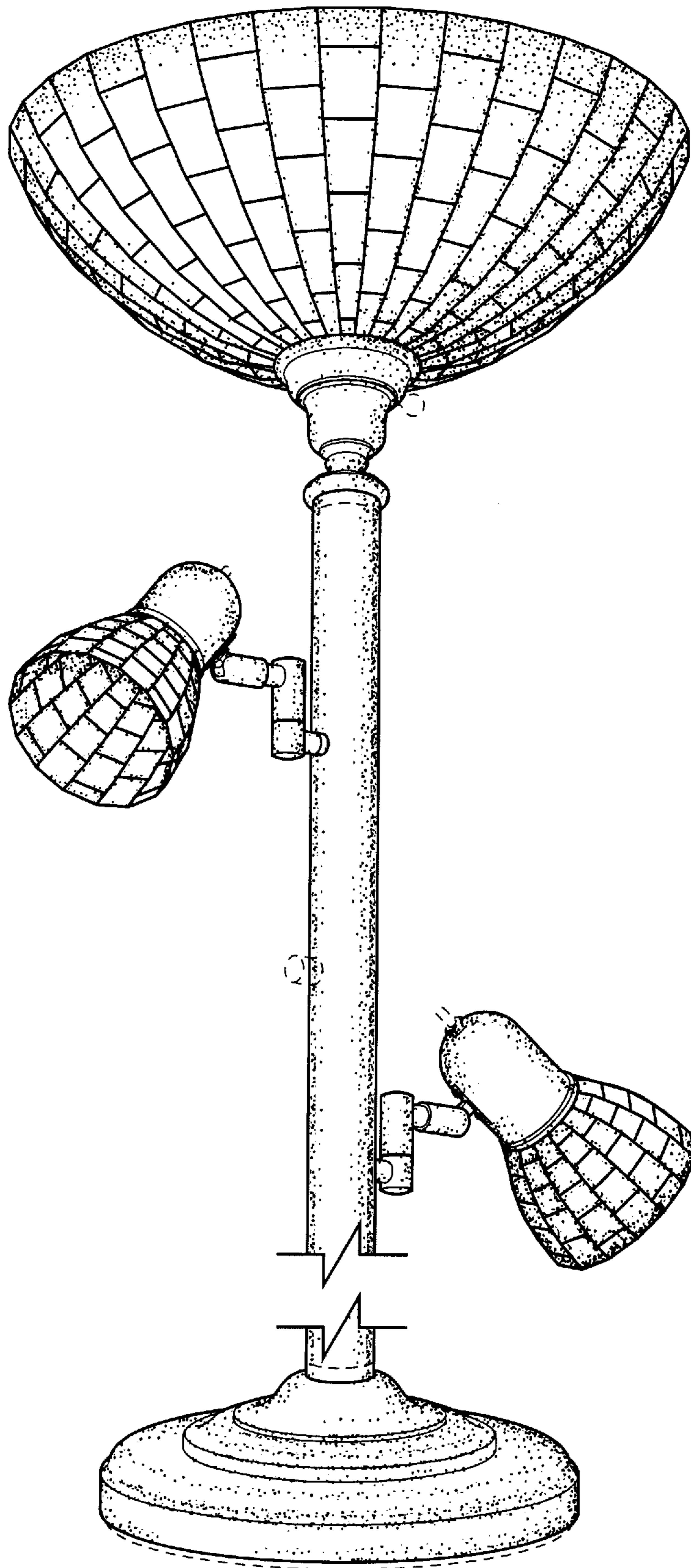


FIG. 2

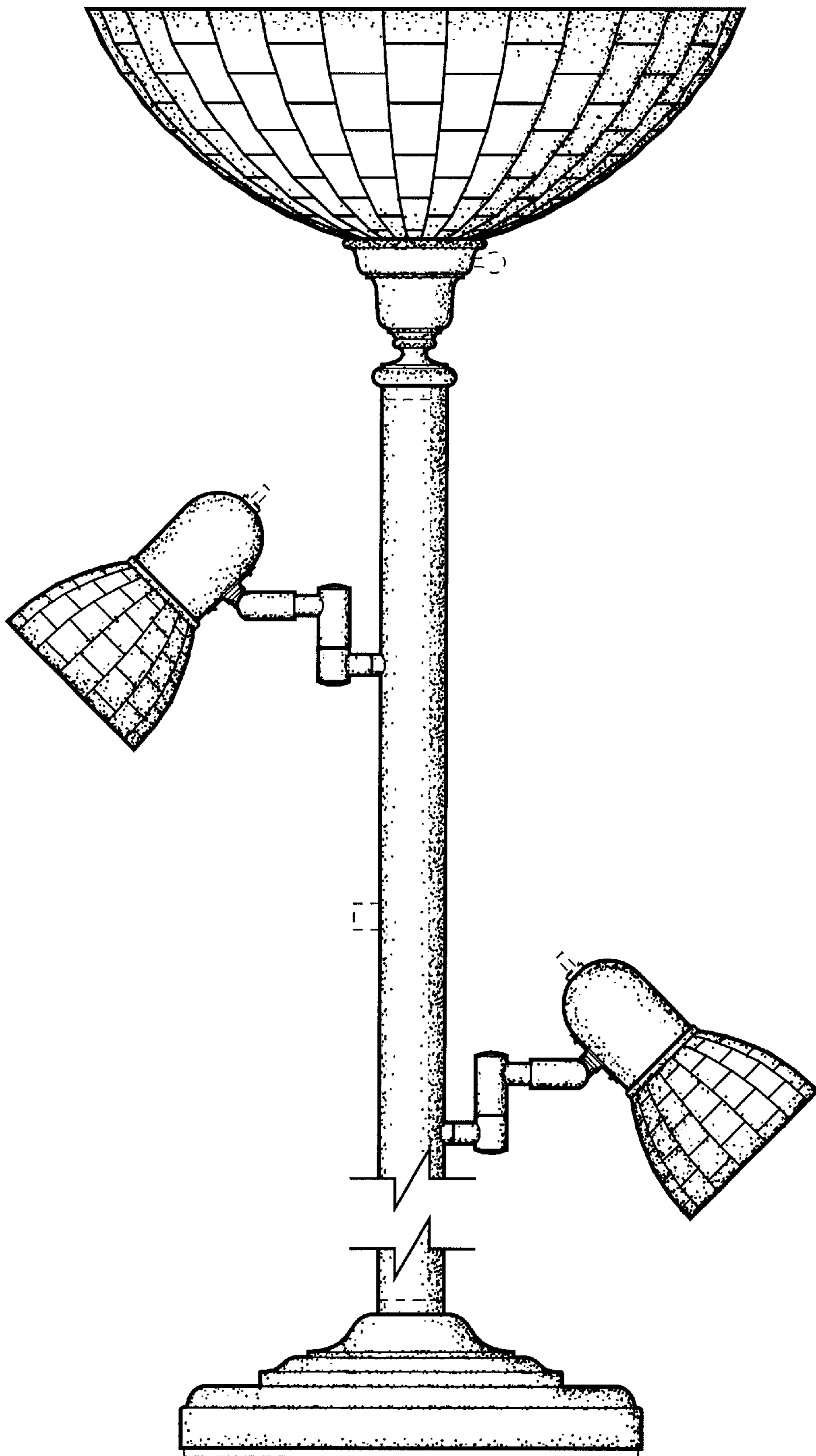


FIG. 3

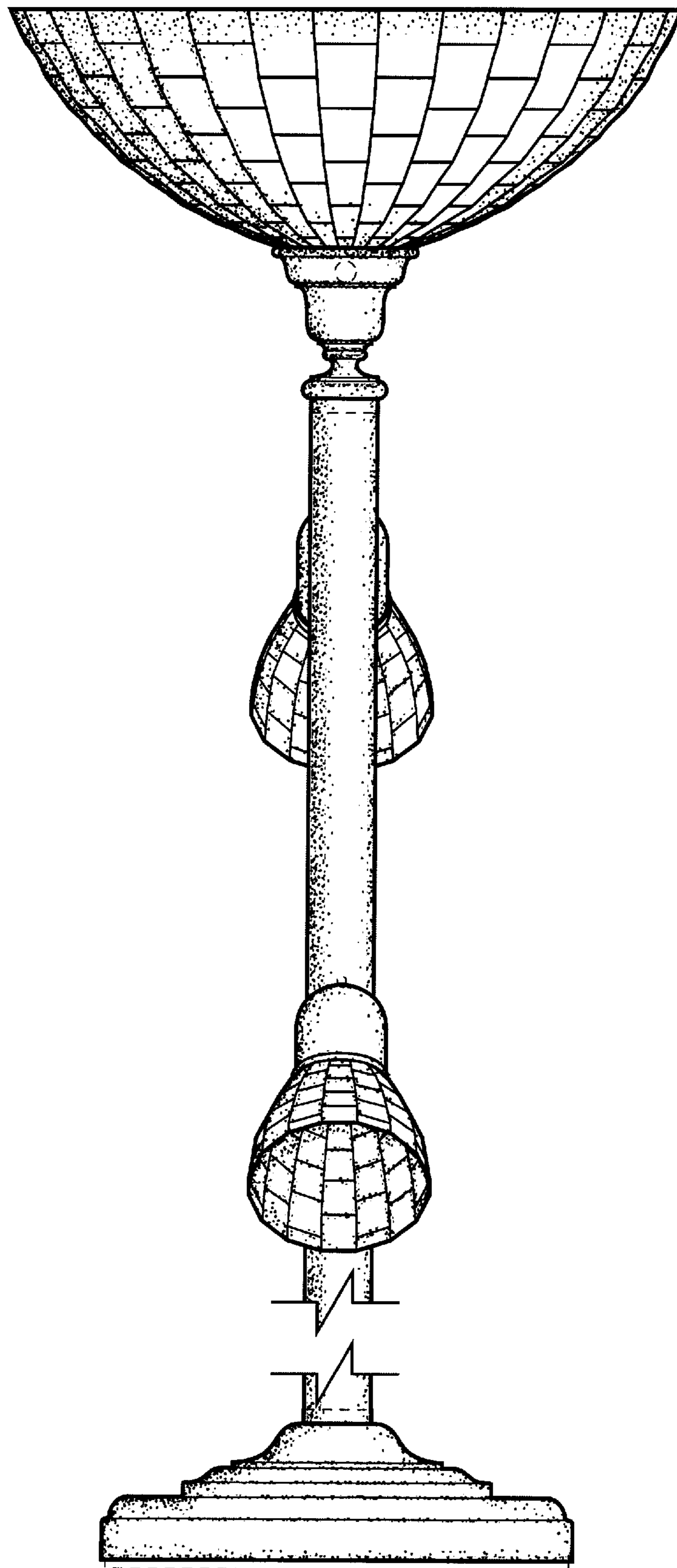


FIG. 4

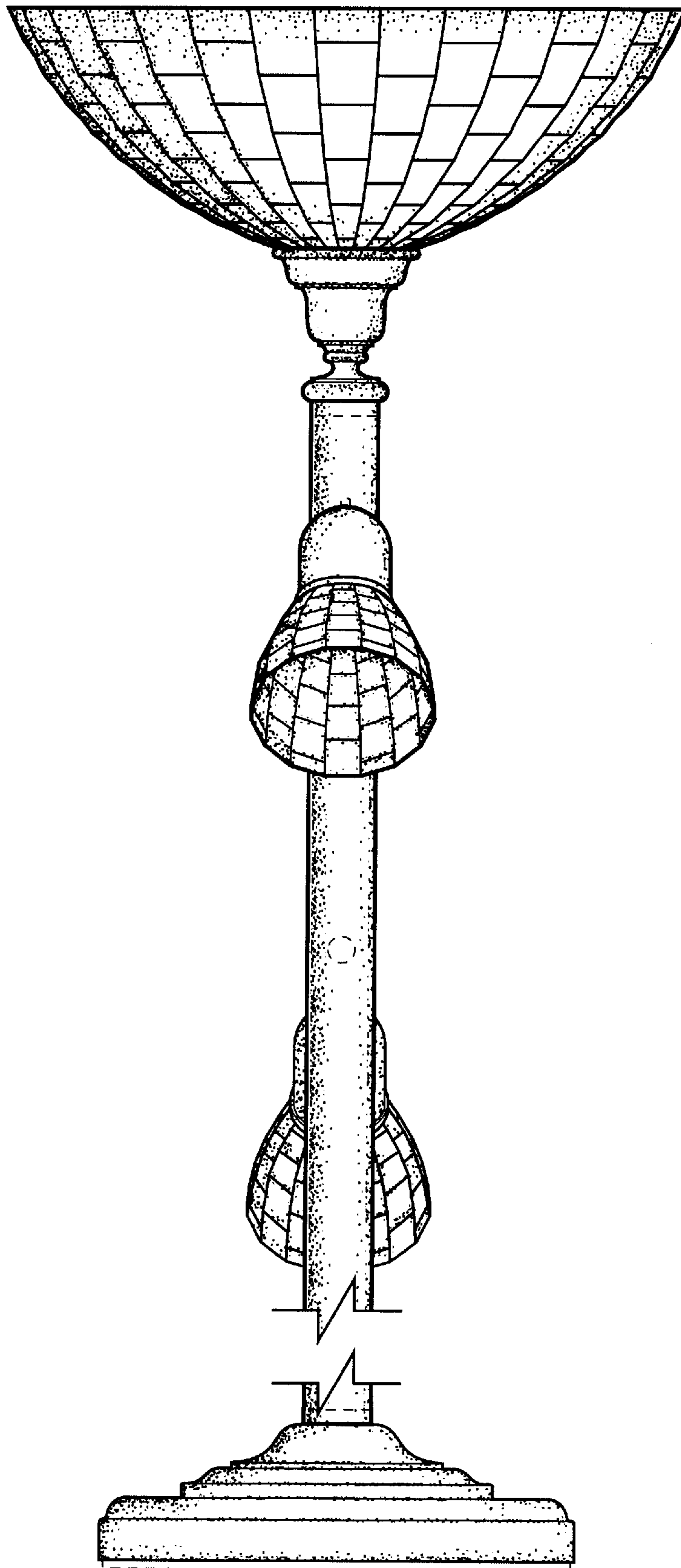


FIG. 5

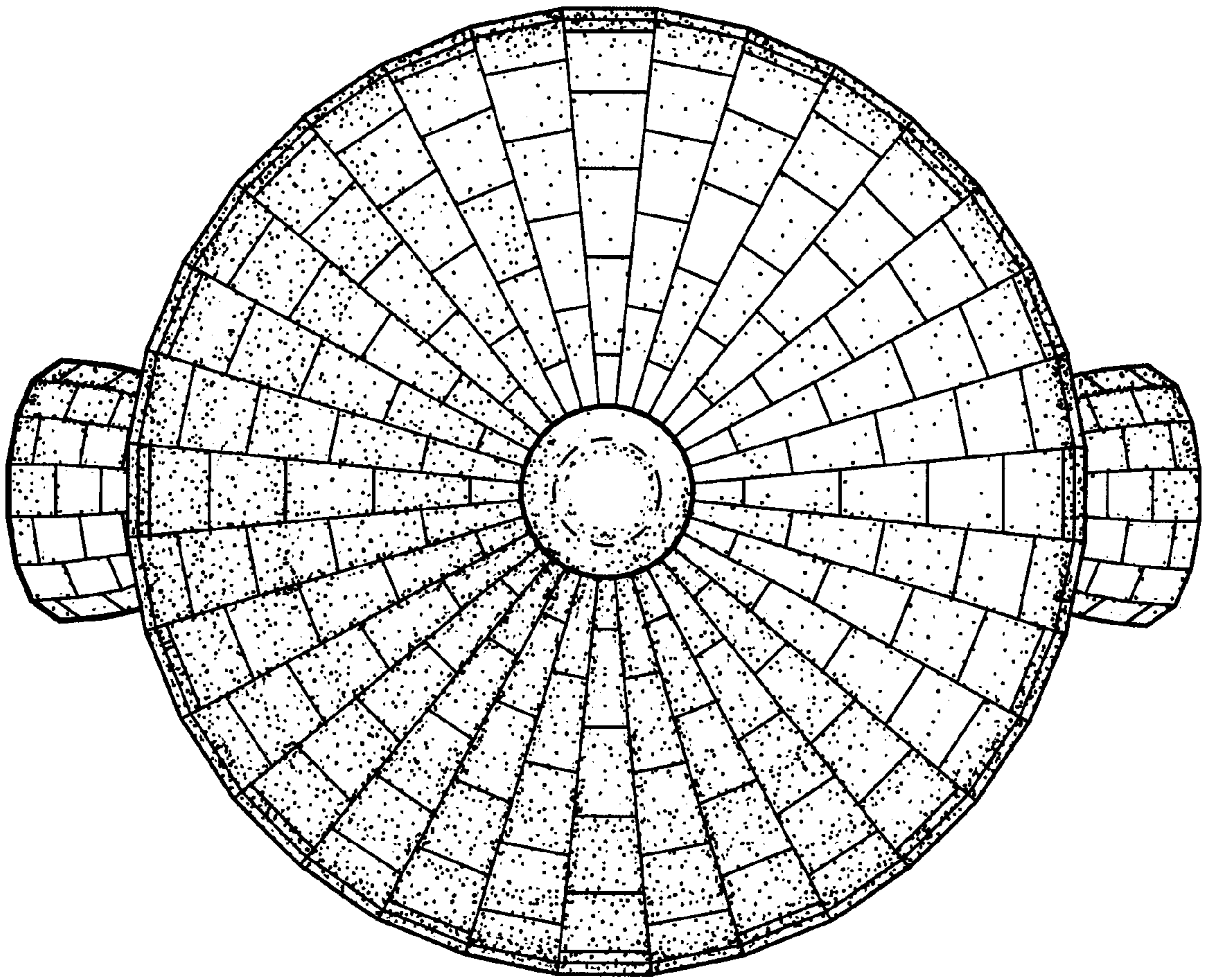


FIG. 6

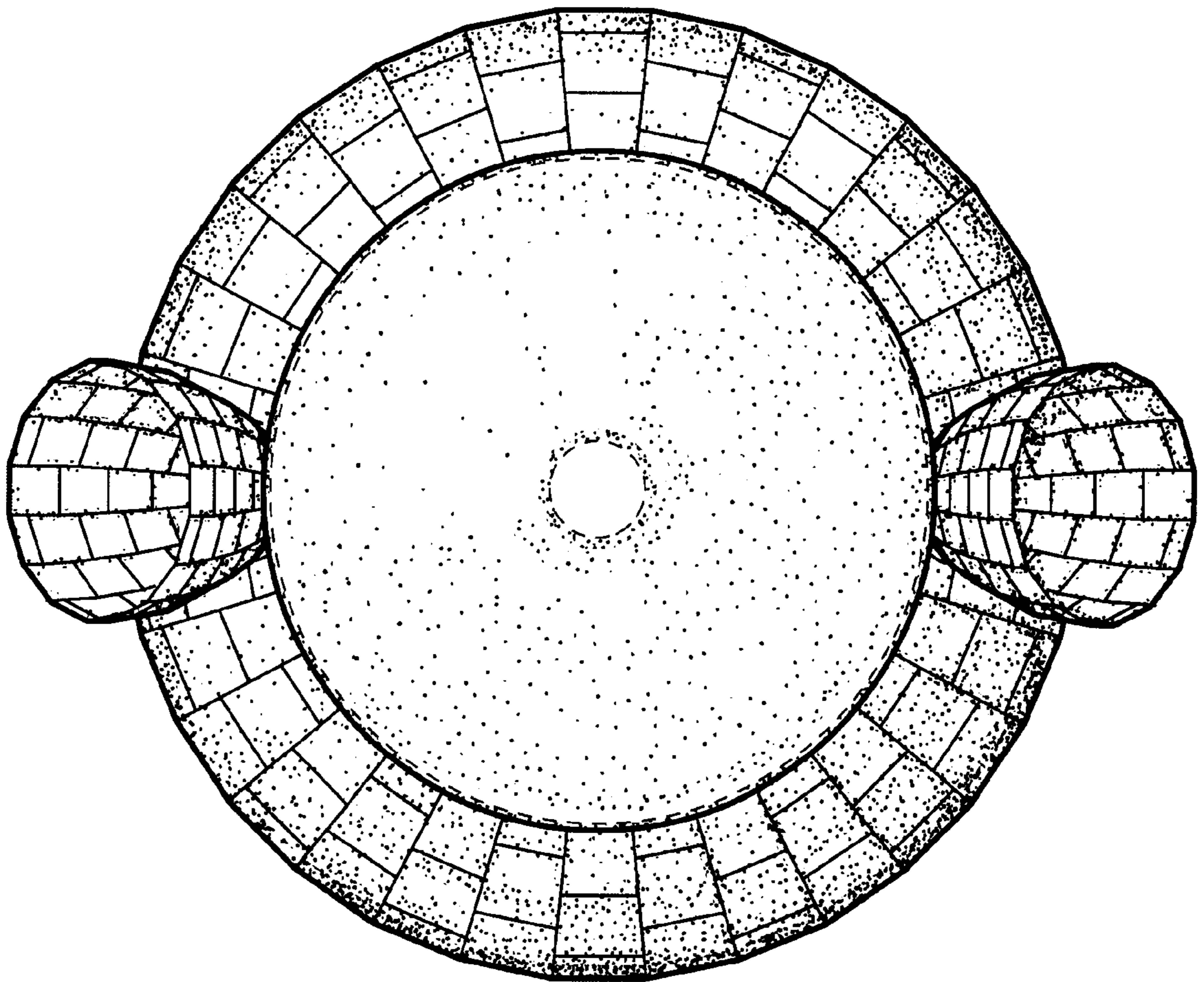


FIG. 7