



US00D459017S

(12) **United States Design Patent**
Dolan

(10) **Patent No.:** **US D459,017 S**
(45) **Date of Patent:** **** Jun. 18, 2002**

(54) **COMBINED TORCHIERE LAMP AND ADJUSTABLE ACCENT LIGHTS**

(76) Inventor: **Patrick S. Dolan**, 1901 NW. Upshur, Portland, OR (US) 97209

(**) Term: **14 Years**

(21) Appl. No.: **29/143,869**

(22) Filed: **Jun. 20, 2001**

(51) **LOC (7) Cl.** **26-03**

(52) **U.S. Cl.** **D26/102**

(58) **Field of Search** D26/61-66, 93,
D26/102-112; 362/410-414, 431, 275,
277-287, 427, 428, 430

(56) **References Cited**

U.S. PATENT DOCUMENTS

5,221,141 A	*	6/1993	Swanson	362/410 X
D347,904 S	*	6/1994	Swanson	D26/63
D353,904 S	*	12/1994	Swanson	D26/110
D427,357 S	*	6/2000	Dolan	D26/110
D427,361 S	*	6/2000	Dolan	D26/110
D432,704 S	*	10/2000	Swanson	D26/110

OTHER PUBLICATIONS

Lamps Puls® torchieres, Oct. 24, 2000, from Internet.*
 Iuuminazioni Int'l, # 429-430, 1996, p. 180, Diombino Dese, Italy.
 Illuminotecnica Magazine, # 429-430, 1996, p. 215, Brama, Italy.
 George Kovacs, NY, Cat. 1999 p. 24, Model 2302, Cat #-09.
 George Kovacs, Cat. No 9, 1999, p. 9, Model 3074.
 Residential Ltg. Mag. 1998 (June Issue), Estiluz, p. 107.
 Adesso, NY, NY, Cat. 2000, Model 5454.
 Adesso, NY, NY, Cat. 2000, Model 1120.
 Adesso, NY, NY, Cat. 2000, Model 6601.
 George Kovacs, NY, Brochure 12, Dec. 1998 Model 3322.
 Trend, Arcadia, CA, 1997, Model 081298-17.

Trend, Arcadia, CA, 1997, Model TF 7821.
 Trend, Arcadia, CA, 1997, Model TF 7055.
 Cens Lighting Magazine, Aug., 1998, Model FL-7295.
 Cens Lighting, Aug. 1998, Model KTH-8621.
 Diamond Classics, Arcadia, CA, Cat. 1993, p. 24 Model D5561-07.
 Adesso, NY, NY, 1997 p. 19, Model 1122.
 JC Penney, Plano, TX, Catalog Fall Winter—2000 Model R769-6792A.
 Lite Source, Chino CA, Cat 901, 1999 Model LS910 p. 58.
 Kenroy, Jacksonville, FL, 1998 p. 54 Model 20785BS.
 Trend, Arcadia, CA, Cat. 1993, p. 6 Model TR 5118-07.
 Frerick Ramond, Cerritos, CA, Cat. #11, 1995, p. 70, Model 2303.
 Lite Source, Chino CA, Cat. 1999, p. S-236, Model LS9531.
 Kenroy, Jacksonville, FL, Cat. 1998 p. 28, Model 31843 BUC.

* cited by examiner

Primary Examiner—Alan P. Douglas
Assistant Examiner—Linda Brooks

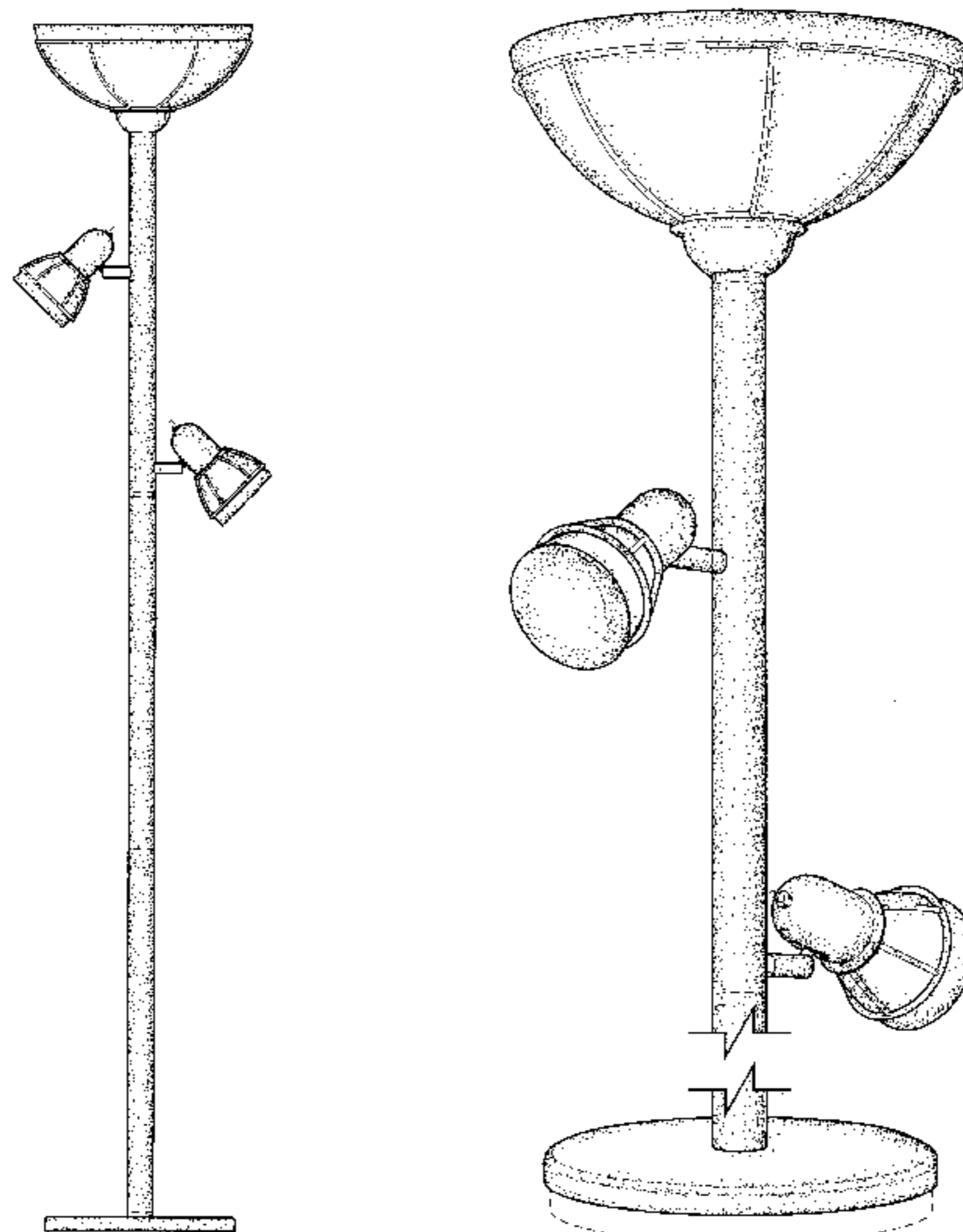
(57) **CLAIM**

The ornamental design for a combined torchiere lamp and adjustable accent lights, as shown and described.

DESCRIPTION

FIG. 1 is a full front elevational view thereof;
 FIG. 2 is an enlarged fragmentary perspective view, for clarity of illustration;
 FIG. 3 is a front elevational view of FIG. 2;
 FIG. 4 is a right side view of FIG. 2;
 FIG. 5 is a left side view of FIG. 2;
 FIG. 6 is a top plan view of FIG. 2; and
 FIG. 7 is a bottom plan view of FIG. 2.
 The broken lines shown in the drawing are environmental only and form no part of the claimed design.

1 Claim, 7 Drawing Sheets



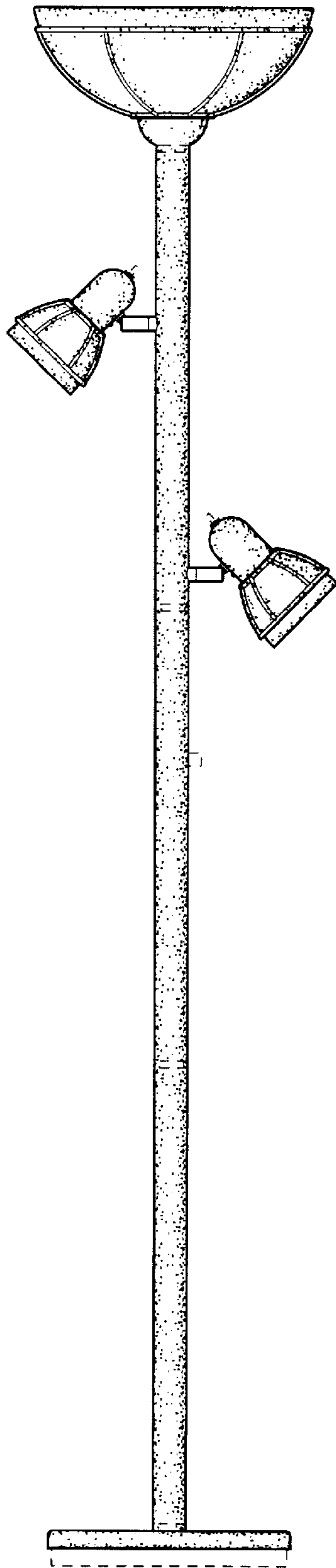


FIG. 1

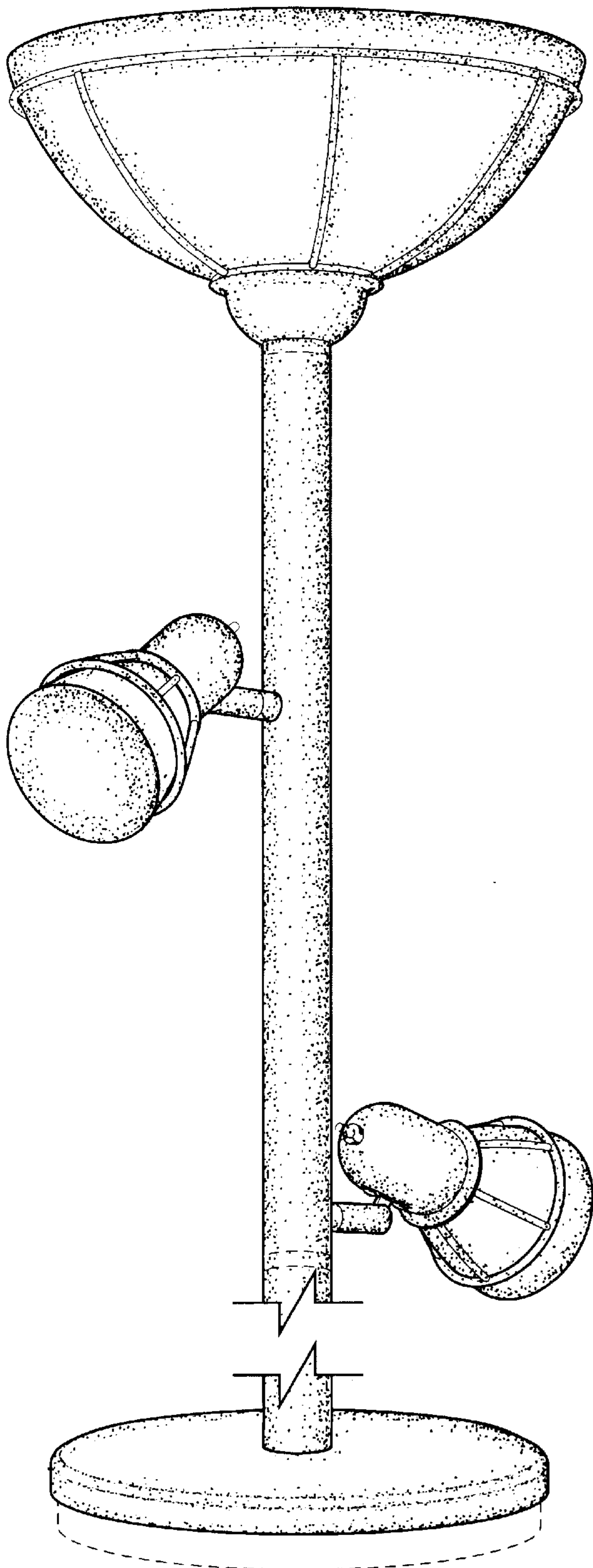


FIG. 2

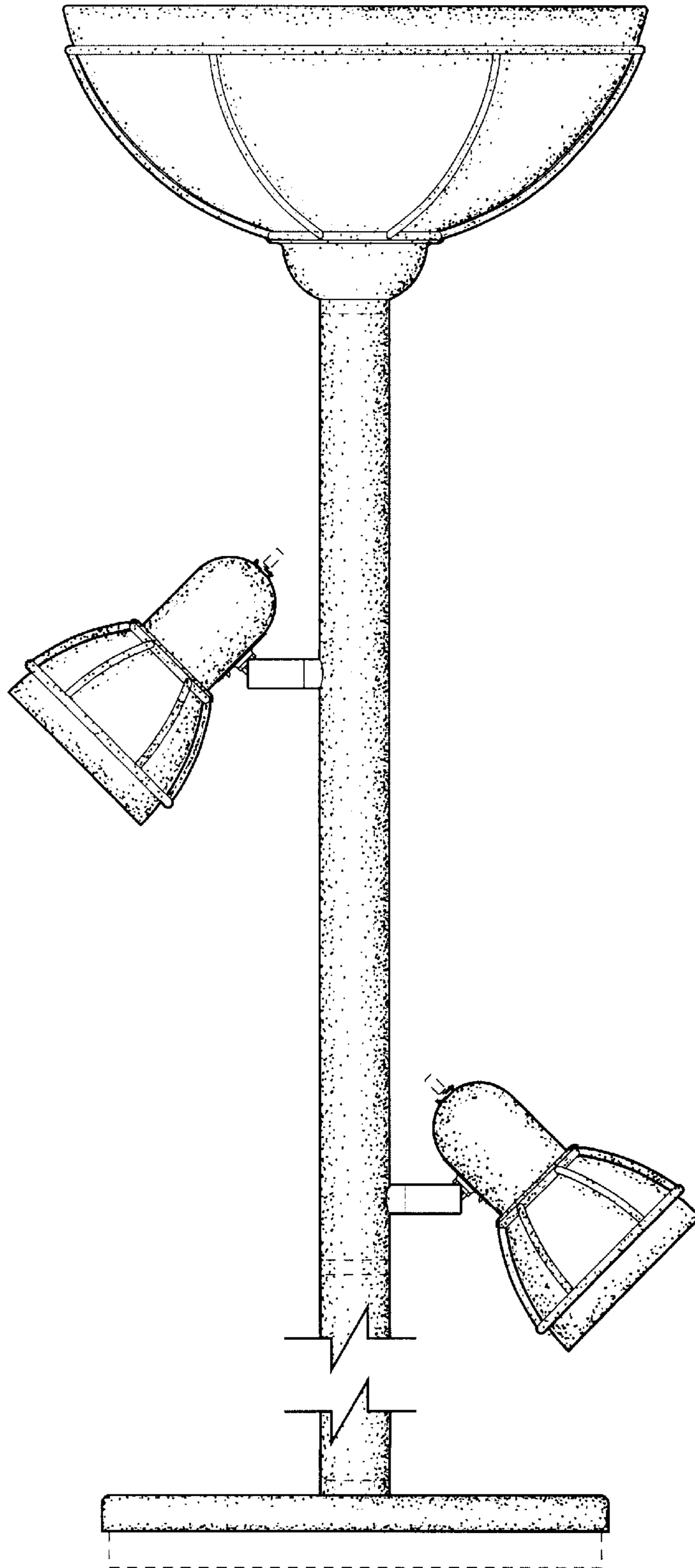


FIG. 3

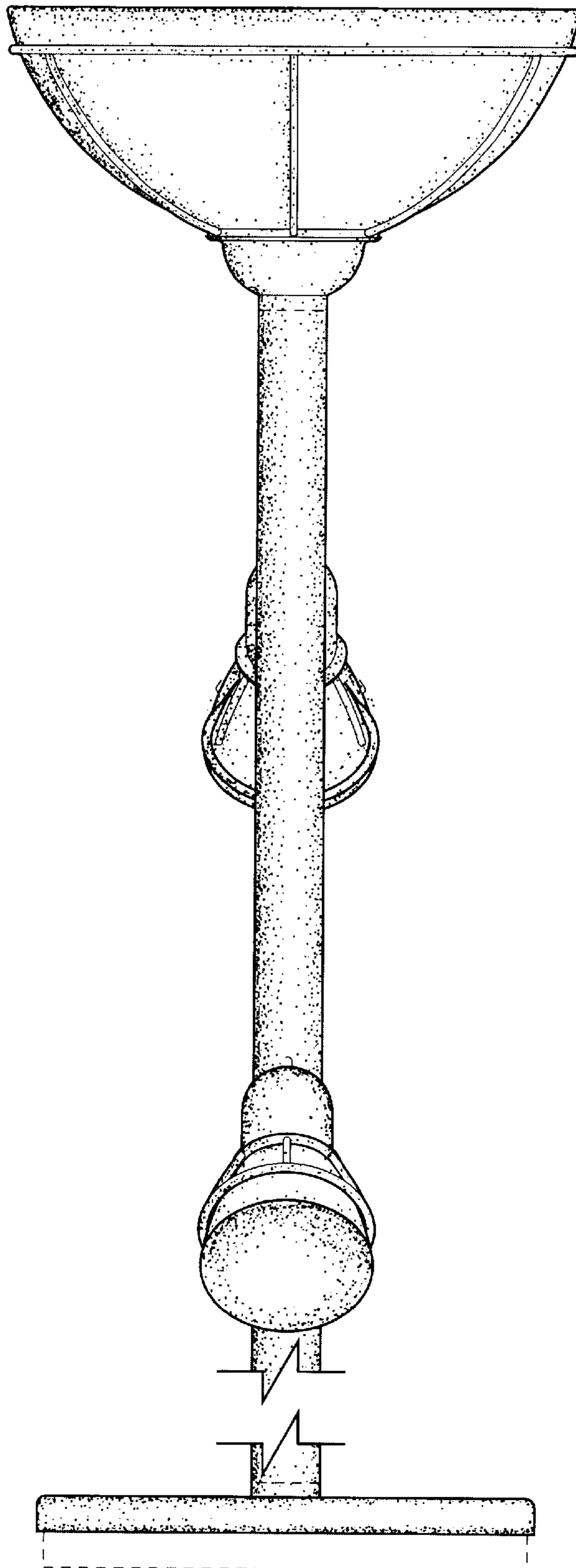


FIG. 4

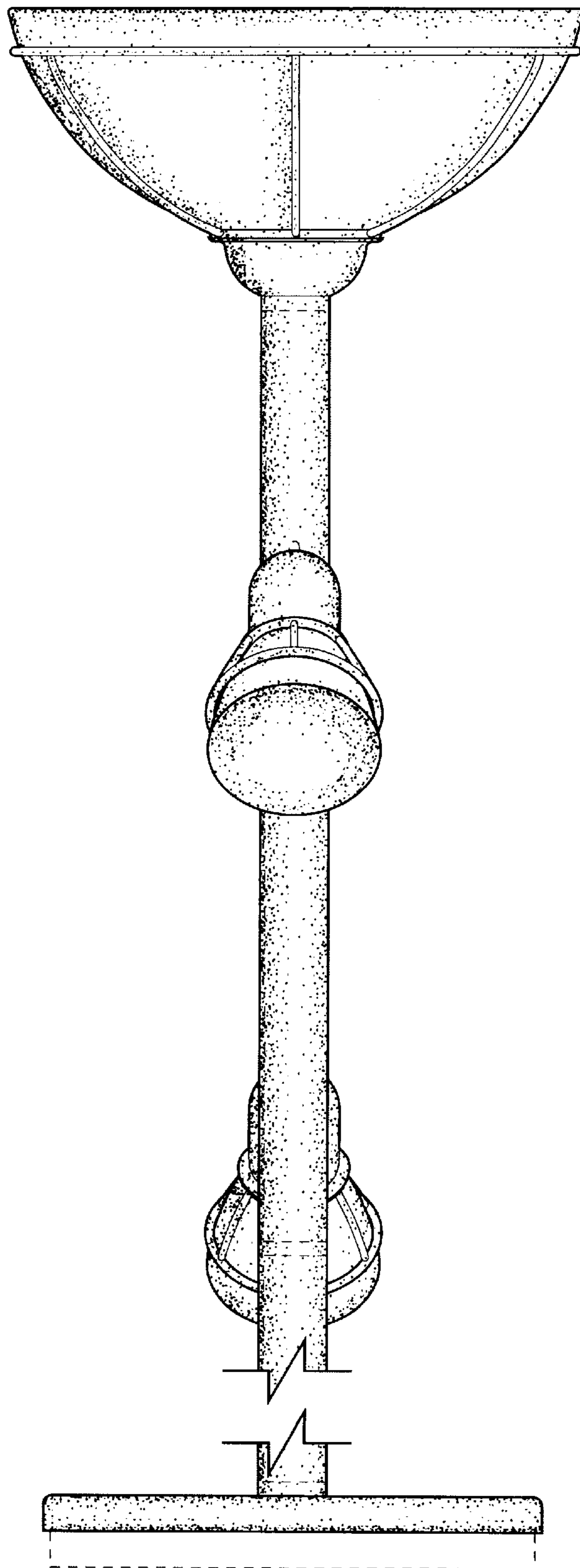


FIG. 5

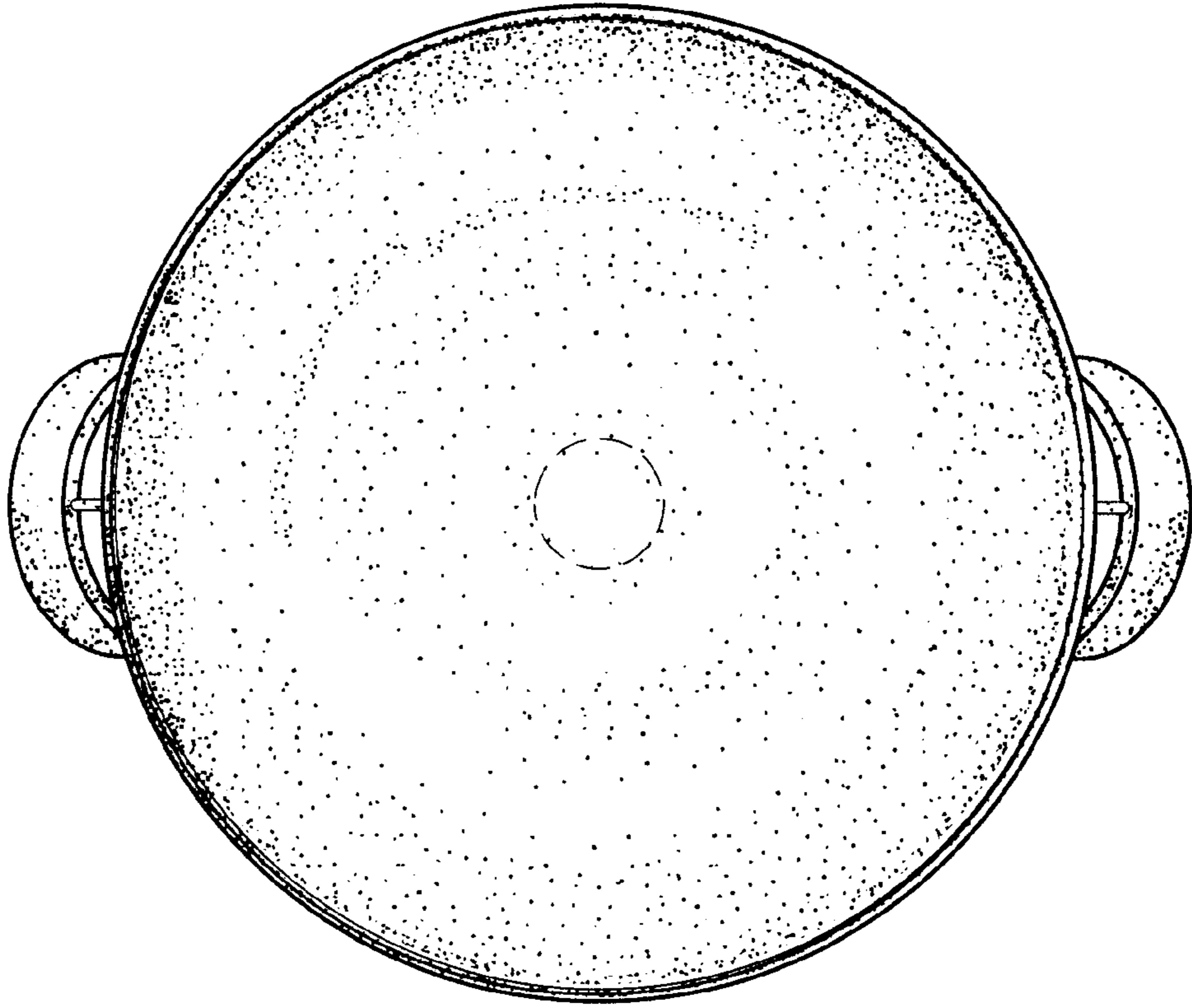


FIG. 6

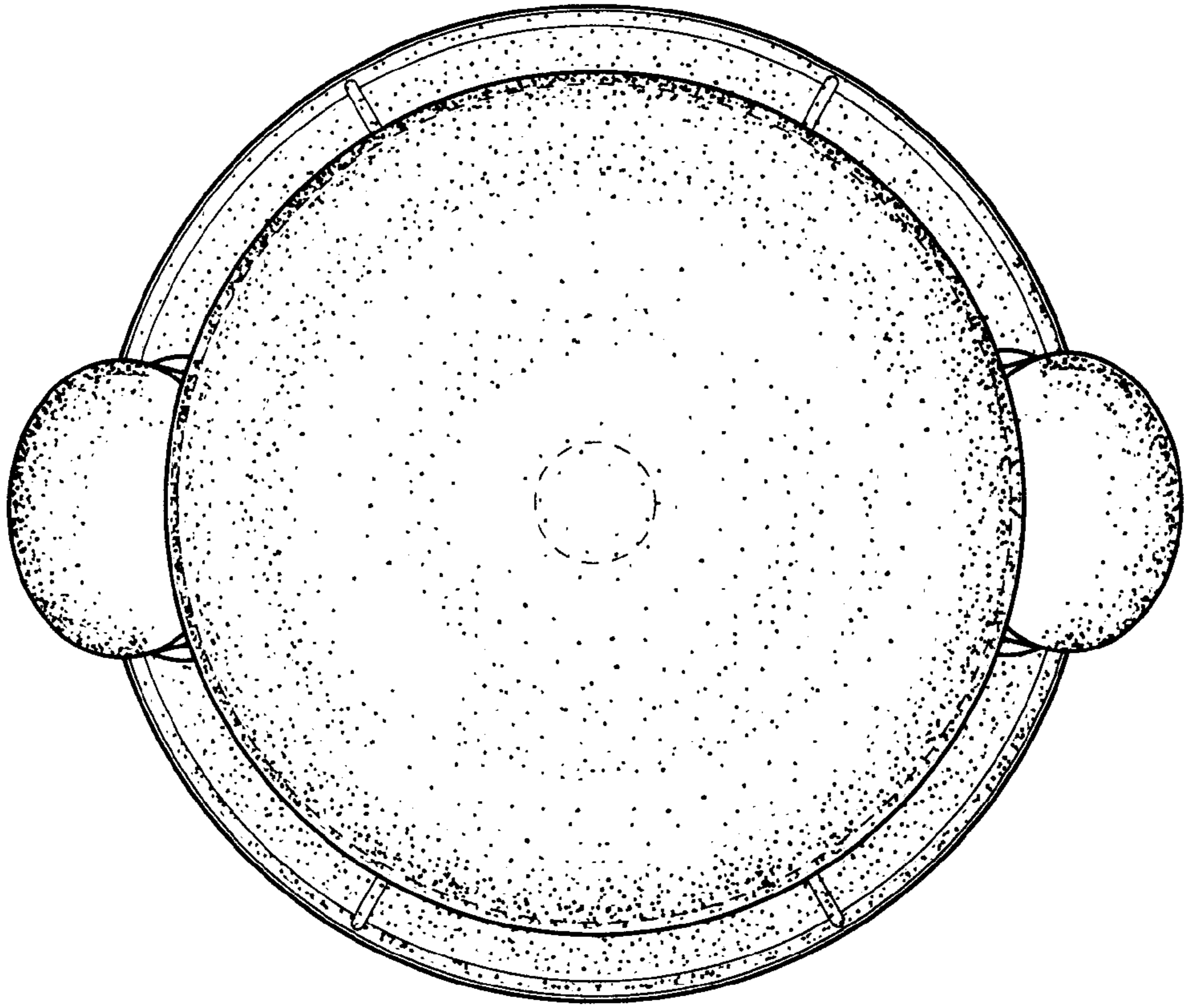


FIG. 7