



US00D459007S

(12) **United States Design Patent**
Campacci

(10) **Patent No.:** **US D459,007 S**

(45) **Date of Patent:** **** Jun. 18, 2002**

(54) **DRAINAGE TRACK**

Primary Examiner—Doris Clark

(75) Inventor: **Gary Campacci, Woodbridge (CA)**

(57) **CLAIM**

(73) Assignee: **Durock Alfacing International Limited, Woodbridge**

An ornamental design for a drainage track, as shown and described.

(**) Term: **14 Years**

DESCRIPTION

(21) Appl. No.: **29/138,695**

FIG. 1 is a perspective view of the drainage track to which the design has been applied;

(22) Filed: **Mar. 20, 2001**

FIG. 2 is a top view of the drainage track of FIG. 1;

(51) **LOC (7) Cl.** **25-01**

FIG. 3 is a front view of the drainage track of FIG. 1;

(52) **U.S. Cl.** **D25/119**

(58) **Field of Search** 52/169.5; 405/36, 405/39, 40, 43, 45, 50; 404/2; D25/138, 152, 119; D23/397

FIG. 4 is a rear view of the drainage track of FIG. 1;

FIG. 5 is a bottom view of the drainage track of FIG. 1;

FIG. 6 is a right side view of the drainage track of FIG. 1; and,

(56) **References Cited**

FIG. 7 is a left side view of the drainage track of FIG. 1.

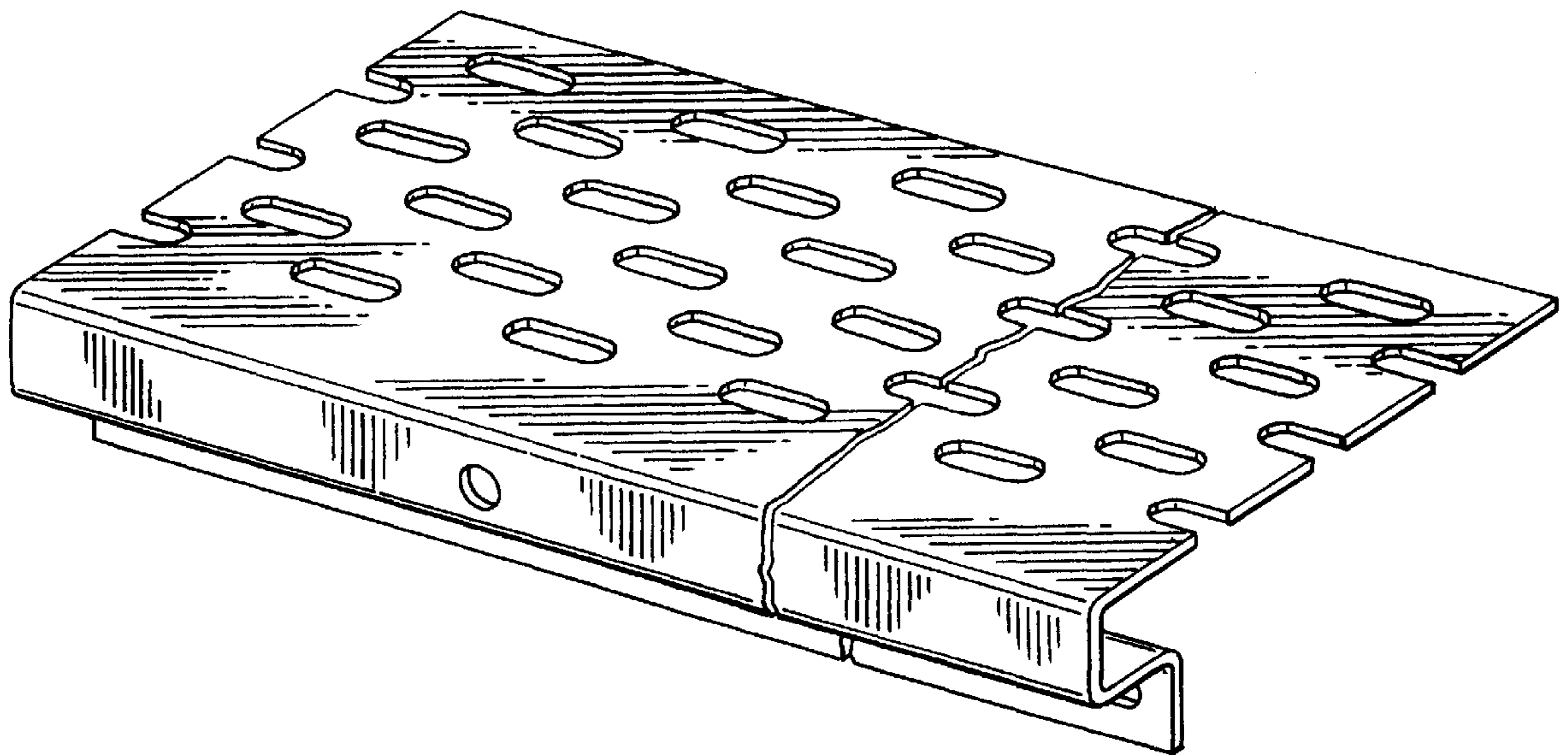
U.S. PATENT DOCUMENTS

The drainage track is broken in the center indicating indefinite length.

D331,470 S * 12/1992 Mitchell et al. D25/119
5,775,039 A * 7/1998 McPherson 52/169.5

* cited by examiner

1 Claim, 2 Drawing Sheets



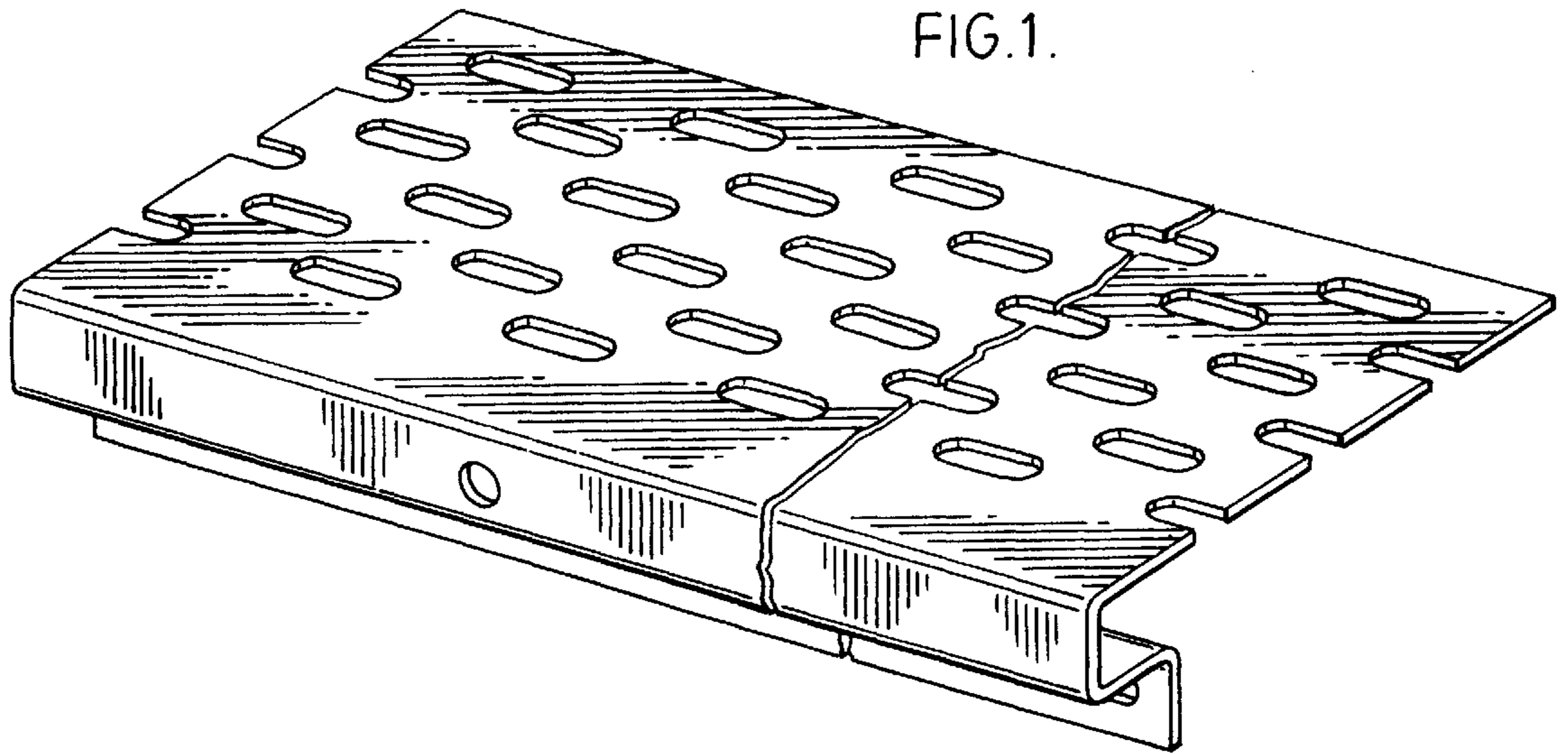


FIG. 2.

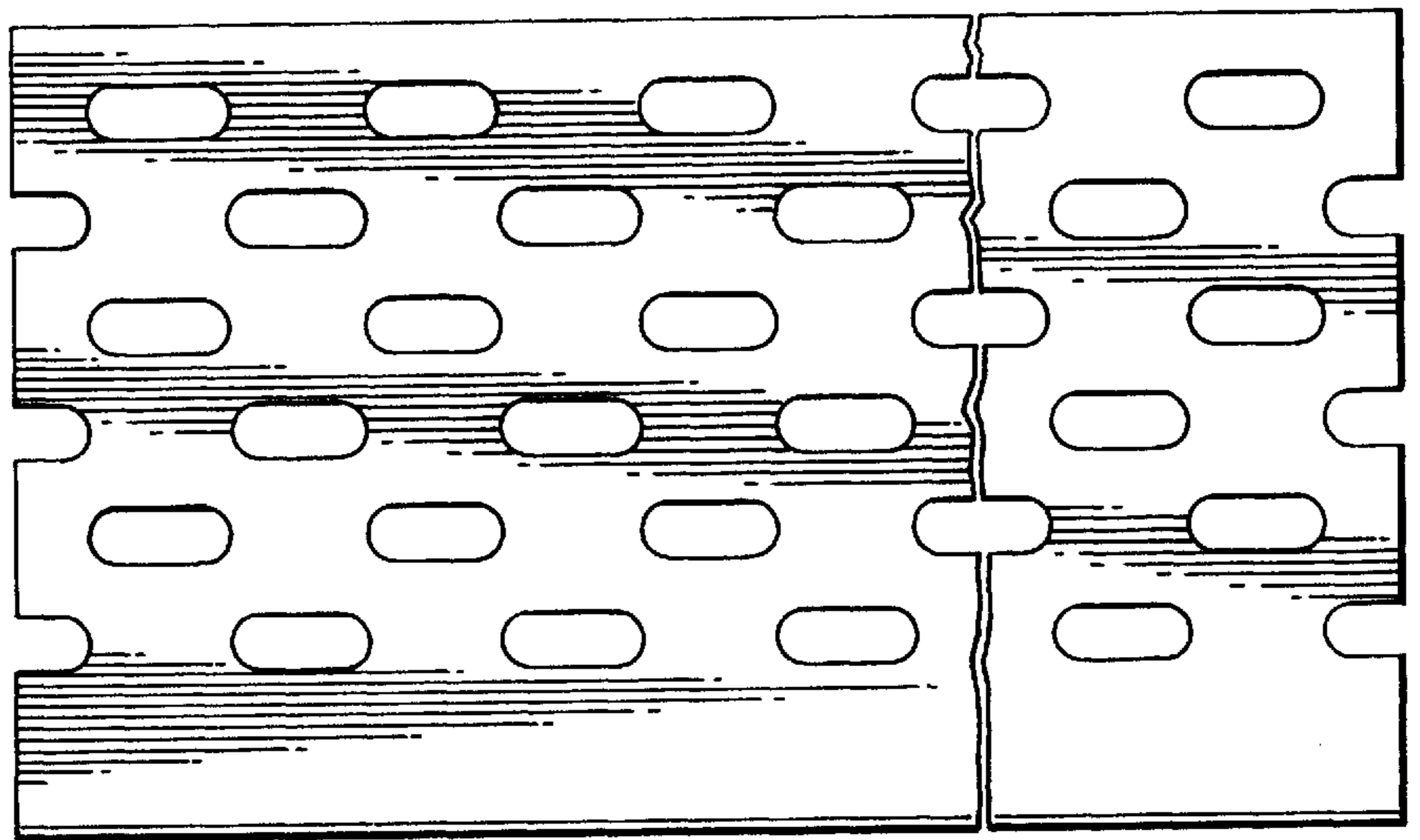
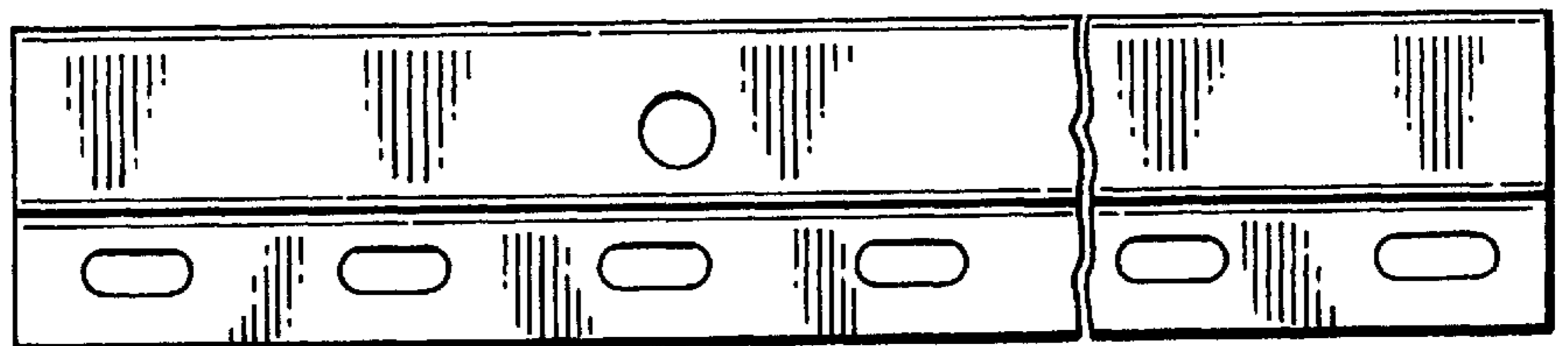


FIG. 3.



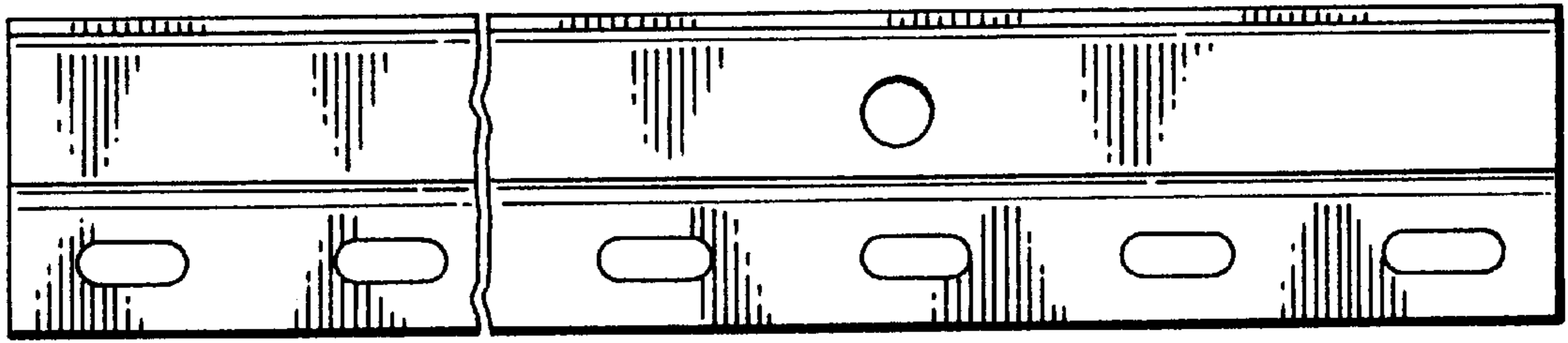


FIG. 4.

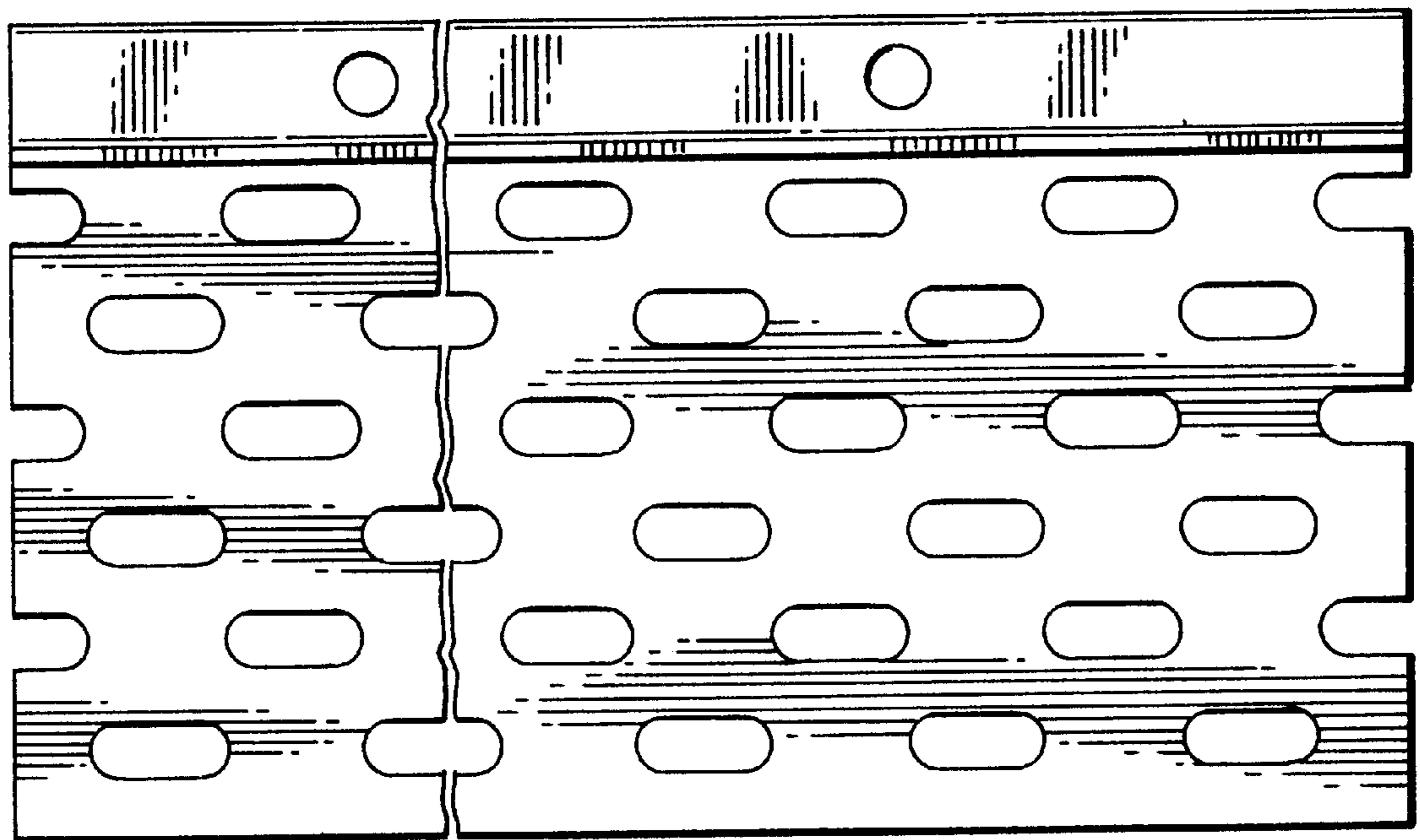


FIG. 5.

FIG. 6.

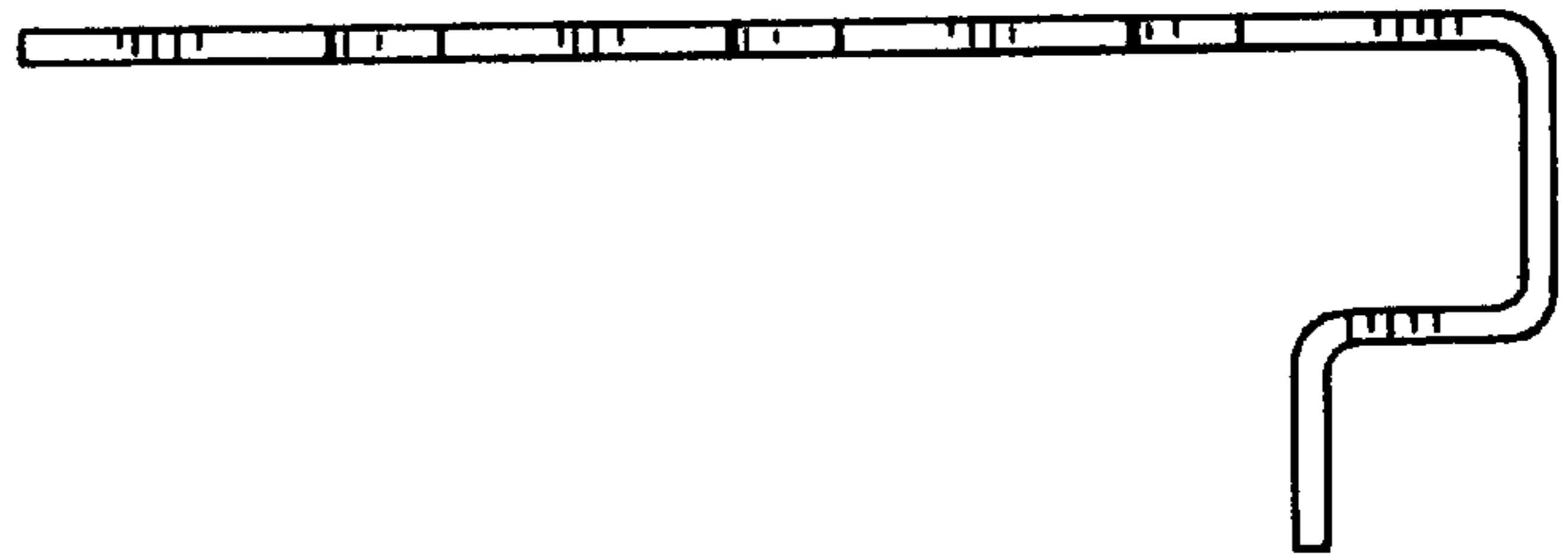


FIG. 7.

