



US00D459005S

(12) **United States Design Patent**  
**Tagawa**

(10) **Patent No.:** **US D459,005 S**

(45) **Date of Patent:** **\*\* Jun. 18, 2002**

(54) **LIGHT EMITTING TILE**

(75) Inventor: **Masaru Tagawa**, Hyogo (JP)

(73) Assignee: **Tadahiro Tagawa**, Hyogo (JP)

(\*\*) Term: **14 Years**

(21) Appl. No.: **29/120,279**

(22) Filed: **Mar. 17, 2000**

(51) **LOC (7) Cl.** ..... **25-01**

(52) **U.S. Cl.** ..... **D25/108**

(58) **Field of Search** ..... D25/103-104,  
D25/106-111, 113; 52/306, 307

(56) **References Cited**

**U.S. PATENT DOCUMENTS**

|             |   |         |          |       |          |
|-------------|---|---------|----------|-------|----------|
| D31,761 S   | * | 10/1899 | Locke    | ..... | D25/106  |
| 1,548,619 A | * | 8/1925  | Liese    | ..... | 52/306   |
| D106,977 S  | * | 11/1937 | Holmes   | ..... | D25/108  |
| 4,069,809 A | * | 1/1978  | Strand   | ..... | 52/606 X |
| D346,665 S  | * | 5/1994  | Aldridge | ..... | D25/103  |
| 5,333,427 A | * | 8/1994  | Uhlik    | ..... | 52/306   |
| 5,681,105 A | * | 10/1997 | Nau      | ..... | 362/153  |
| 5,766,702 A | * | 6/1998  | Lin      | ..... | 52/306 X |
| D423,689 S  | * | 4/2000  | Lamberts | ..... | D25/106  |

\* cited by examiner

*Primary Examiner*—Louis S. Zarfaz

*Assistant Examiner*—Robert A. Delehanty

(74) *Attorney, Agent, or Firm*—Arent Fox Kintner Plotkin & Kahn, PLLC

(57) **CLAIM**

The ornamental design for a light emitting tile, as shown and described.

**DESCRIPTION**

FIG. 1 is a plan view, showing my new design;

FIG. 2 is a front view thereof;

FIG. 3 is a left side view thereof;

FIG. 4 is a bottom view thereof;

FIG. 5 is a cross-sectional view taken along lines 5—5 in FIG. 2 thereof;

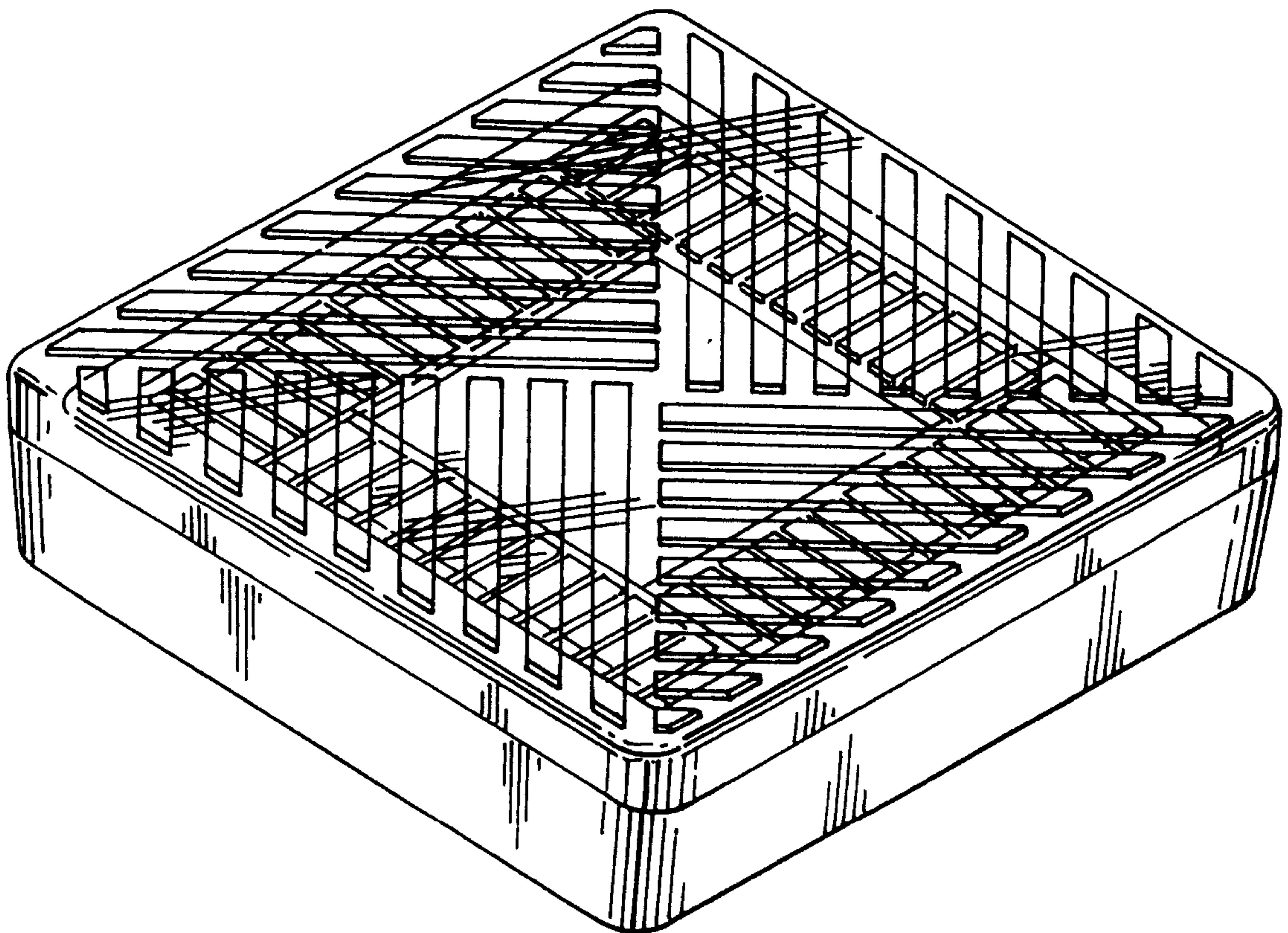
FIG. 6 is a cross-sectional view taken along lines 6—6 in FIG. 1 thereof;

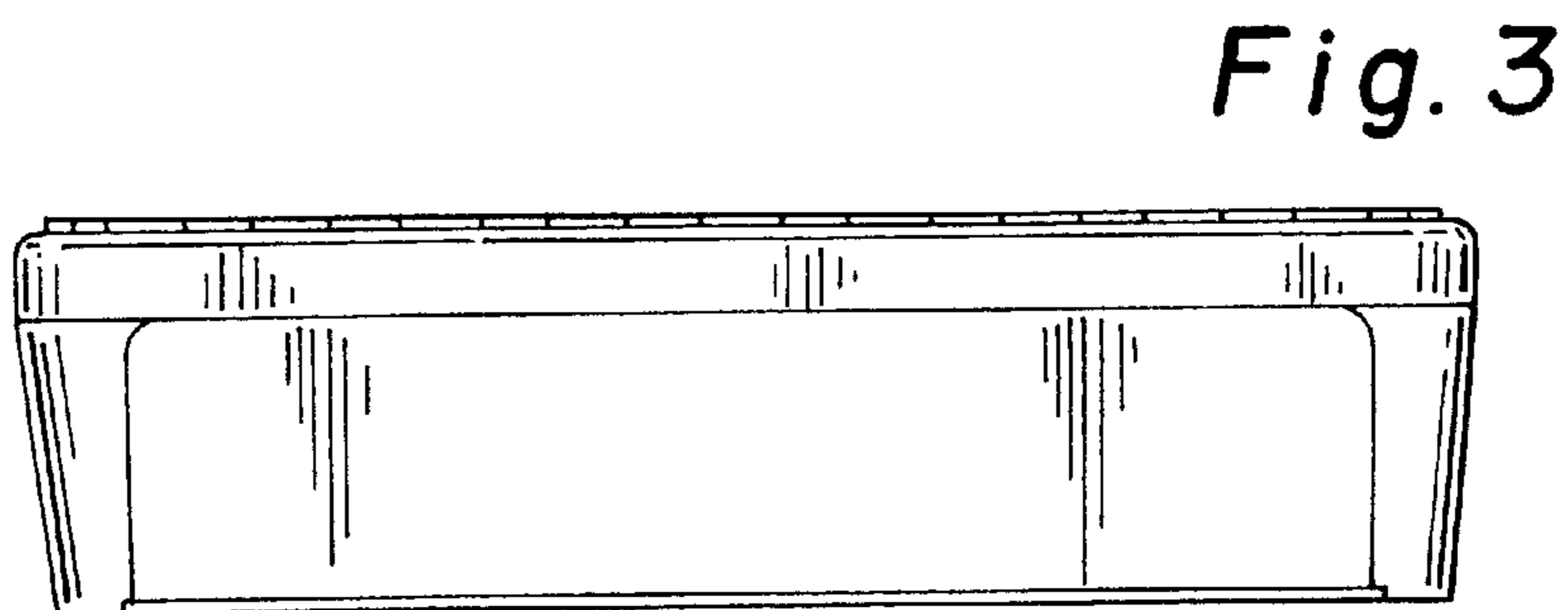
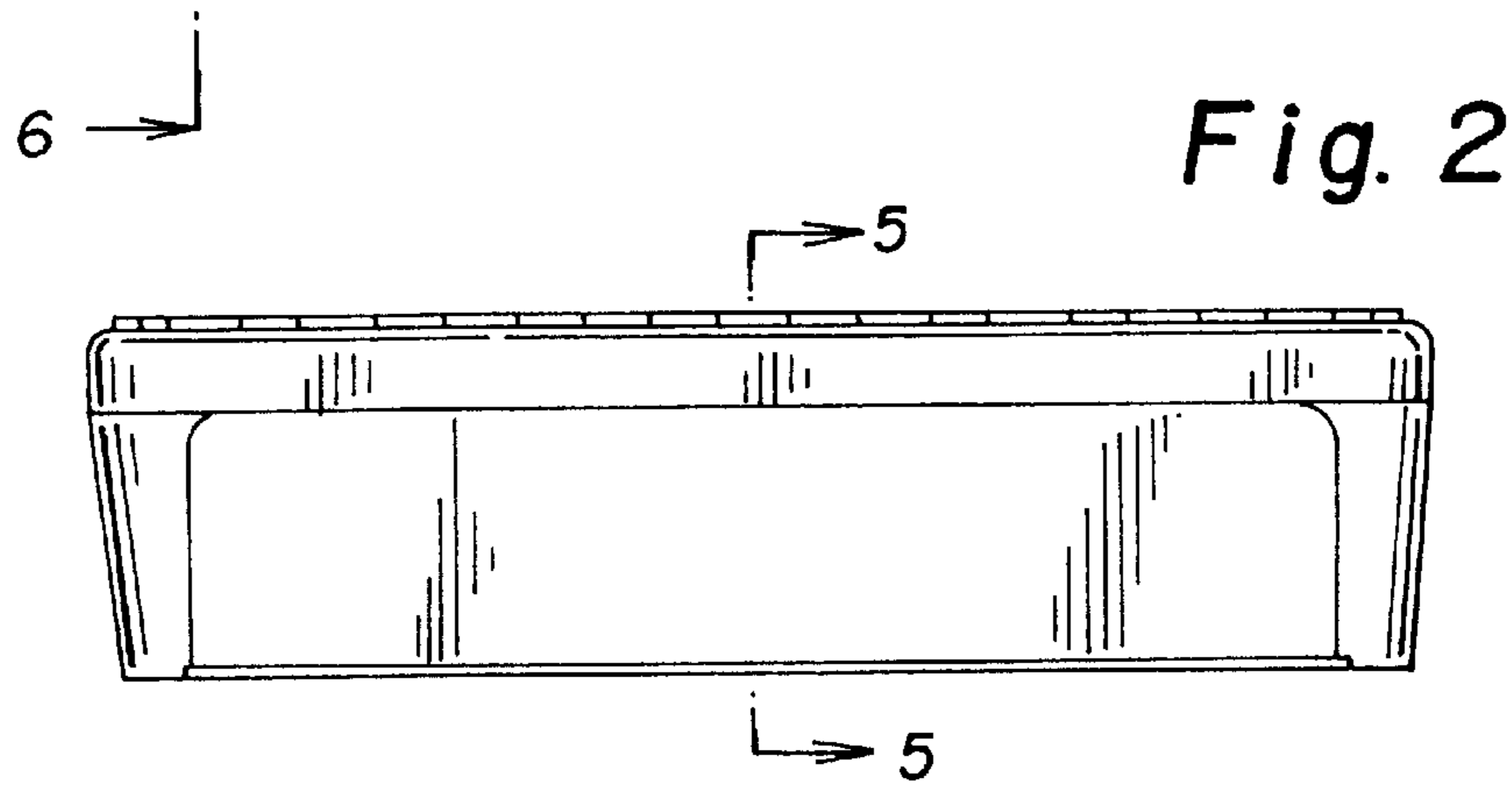
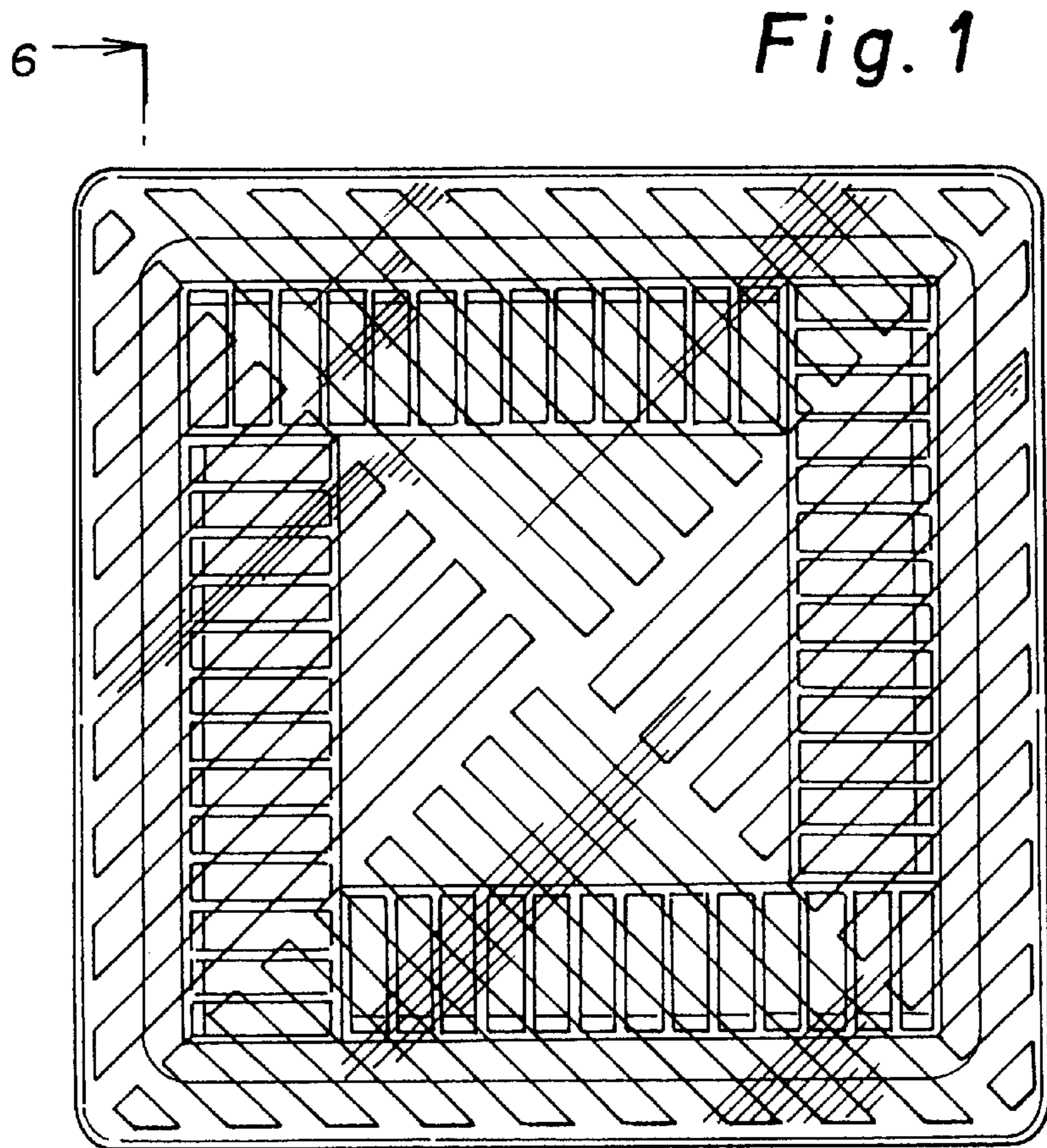
FIG. 7 is a perspective view thereof; and,

FIG. 8 is a perspective view showing my new design on a reduced scale in condition of use with a plurality of like blocks.

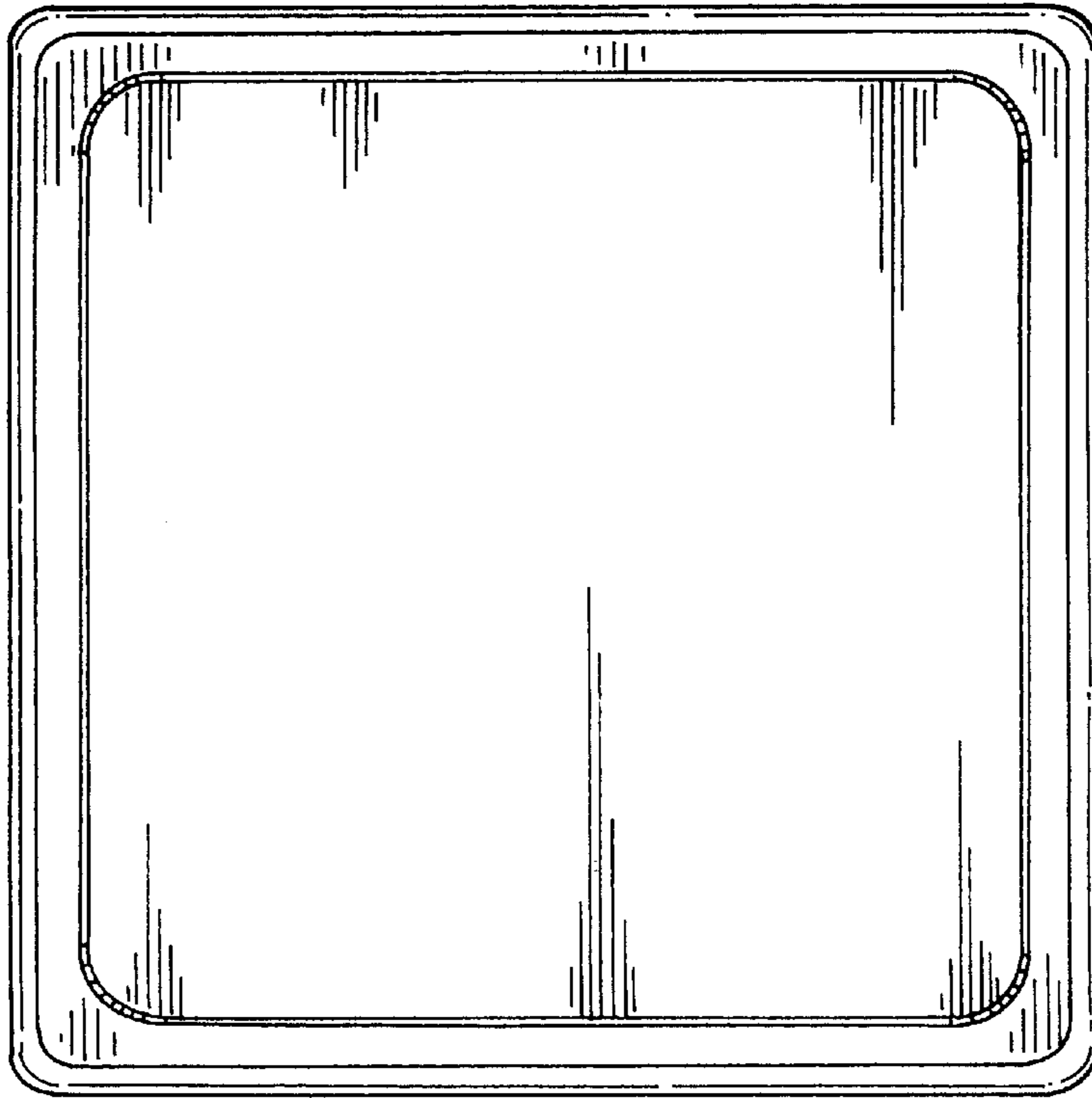
The broken lines showing of additional tiles is for illustrative purposes only and forms no part of the claimed design.

**1 Claim, 3 Drawing Sheets**

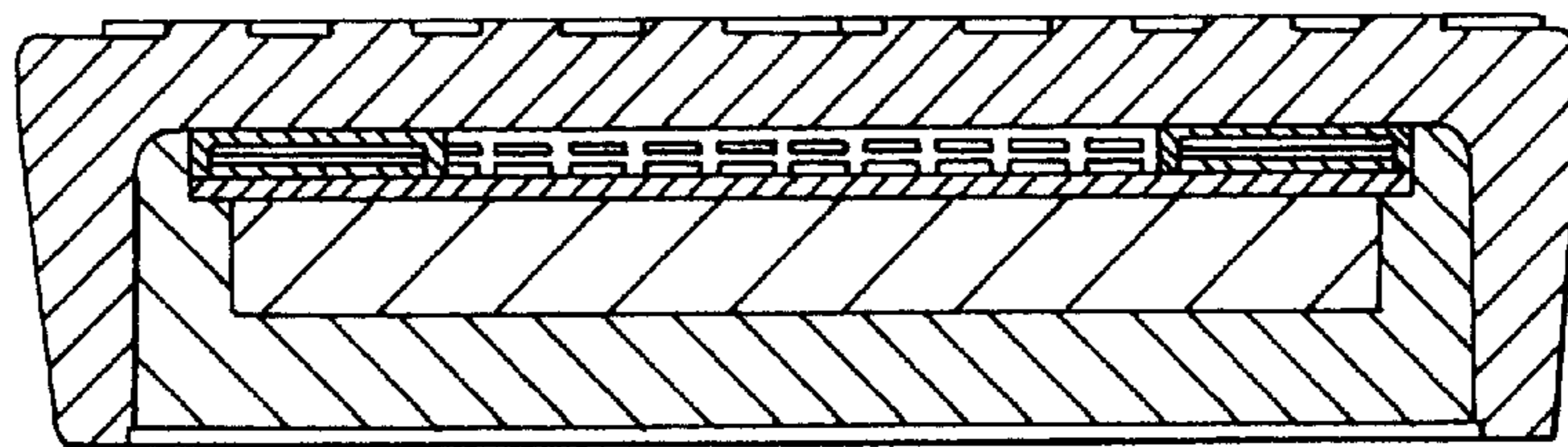




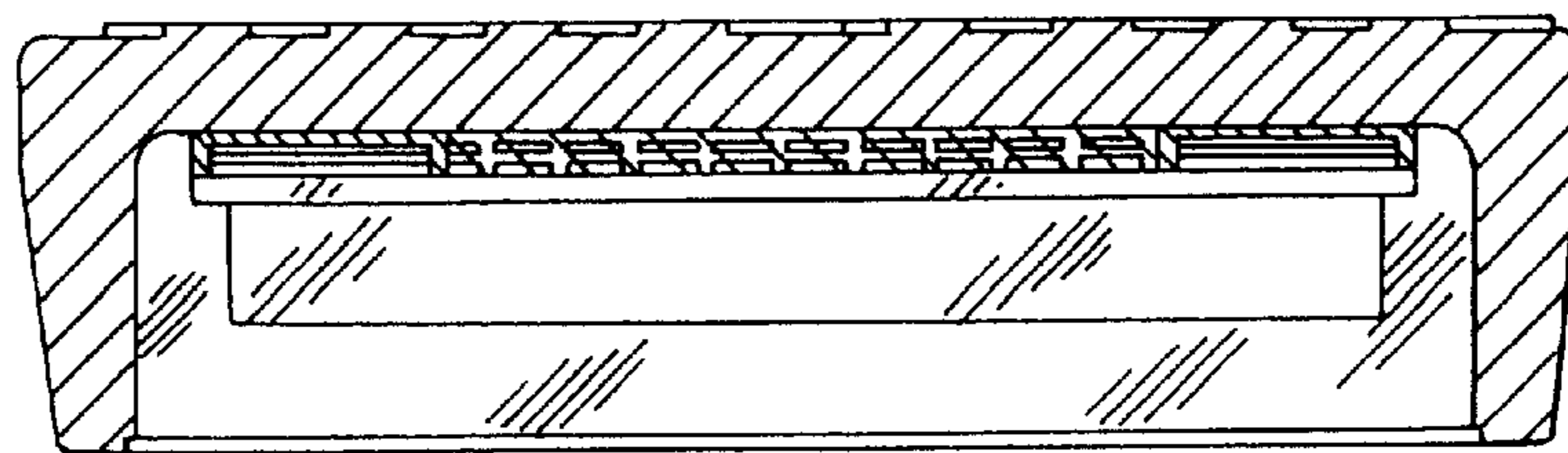
*Fig. 4*

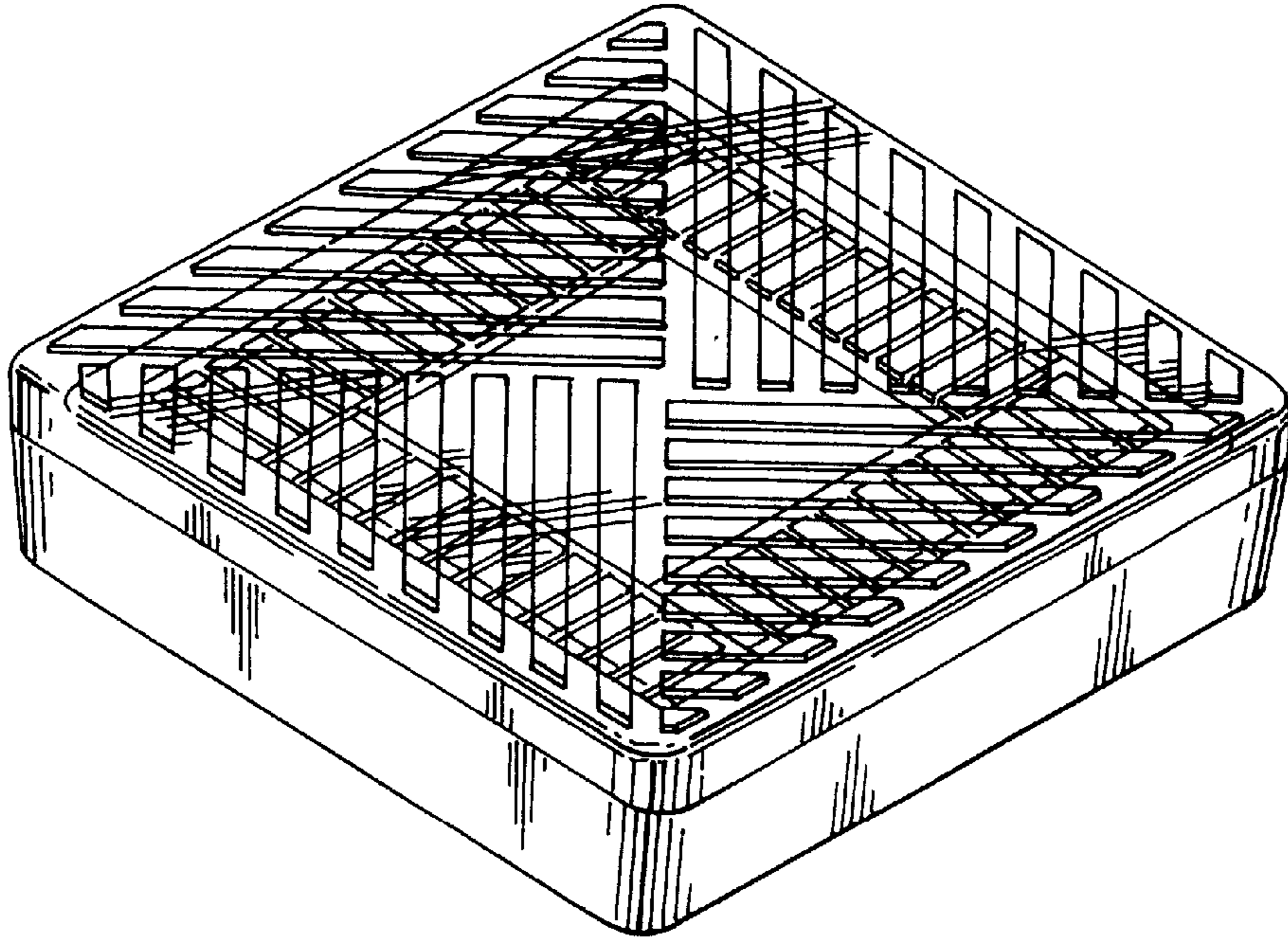


*Fig. 5*



*Fig. 6*





*Fig. 7*

*Fig. 8*

