



US00D459003S

(12) **United States Design Patent**
Hallberg

(10) **Patent No.:** **US D459,003 S**

(45) **Date of Patent:** **** Jun. 18, 2002**

(54) **TELESCOPIC SEATING RISER**

(75) **Inventor:** **Edwin A. Hallberg**, Midland, MI (US)

(73) **Assignee:** **Rogers Athletic Company**, Clare, MI (US)

(**) **Term:** **14 Years**

(21) **Appl. No.:** **29/134,273**

(22) **Filed:** **Dec. 15, 2000**

(51) **LOC (7) Cl.** **25-04**

(52) **U.S. Cl.** **D25/62**

(58) **Field of Search** 52/191, 183, 6-9; D25/62

5,459,964 A 10/1995 Doublet 52/8
 5,784,835 A 7/1998 McArthur, Jr. 52/9
 6,041,554 A 3/2000 McArthur, Jr. 52/9

FOREIGN PATENT DOCUMENTS

DE	1213591	3/1966	
DE	2927748	1/1981 E04H/3/12
EP	0330838	6/1989 E04H/3/12
FR	2384920	10/1978 E04H/3/12
FR	9208484	1/1994 E04H/3/12
GB	657978	10/1951	
RU	872710	10/1981 E04H/3/12

* cited by examiner

Primary Examiner—Doris Clark

(74) *Attorney, Agent, or Firm*—David M. Thimmig; Mayer Brown Rowe & Maw

(56) **References Cited**

U.S. PATENT DOCUMENTS

3,077,642 A	*	2/1963	Forsythe et al.	52/191
3,107,398 A		10/1963	Murphy	20/1.126
3,222,827 A		12/1965	Smith	52/9
3,279,131 A		10/1966	Curra, Jr.	52/36
3,400,502 A		9/1968	Scaggs et al.	52/9
3,488,898 A		1/1970	Scaggs	52/10
3,608,251 A		9/1971	Scaggs	52/9
3,667,171 A		6/1972	McClelland et al.	52/9
3,747,708 A	*	7/1973	Wenger et al.	52/183
RE29,635 E		5/1978	McClelland et al.	52/9
4,155,202 A		5/1979	Hartman	52/9
4,446,659 A		5/1984	Quigley	52/9
4,467,569 A		8/1984	Blanchard et al.	52/9
4,557,080 A		12/1985	Walworth et al.	52/9
4,565,036 A		1/1986	Lyman, Jr.	52/9
4,638,604 A		1/1987	Rogers et al.	52/6
D307,186 S	*	4/1990	Rogers et al.	D25/62
5,050,353 A		9/1991	Rogers et al.	52/8

(57) **CLAIM**

The ornamental design for a telescopic seating riser, as shown and described.

DESCRIPTION

FIG. 1 is an isometric view showing the telescopic seating riser in the retracted position.

FIG. 2 is a side view showing the telescopic seating riser in the retracted position.

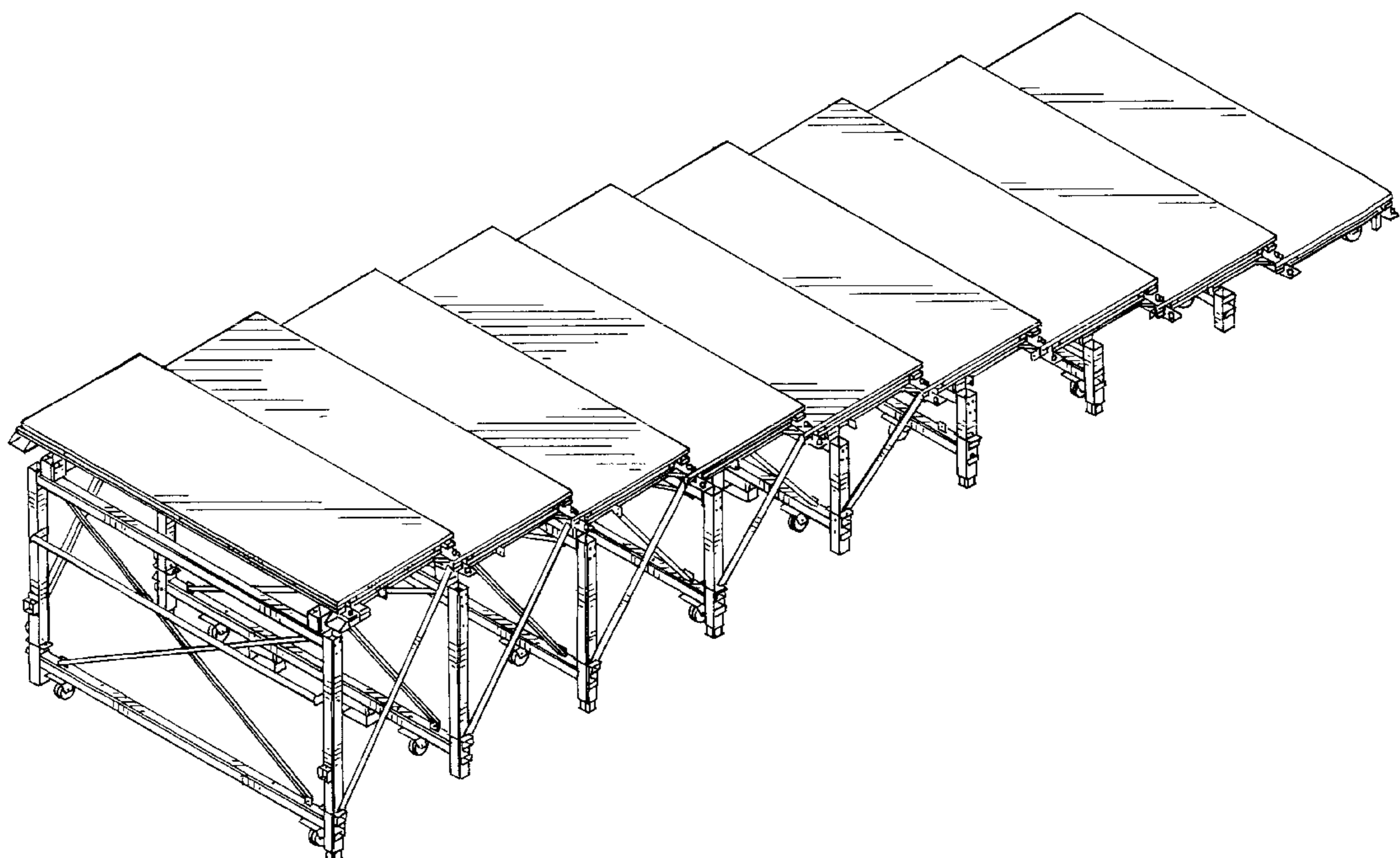
FIG. 3 is a front view showing the telescopic seating riser in the retracted position.

FIG. 4 is a rear view showing the telescopic seating riser in the retracted position.

FIG. 5 is an isometric view showing the telescopic seating riser in the extended position; and,

FIG. 6 is a side view showing the telescopic seating riser in the extended position.

1 Claim, 6 Drawing Sheets



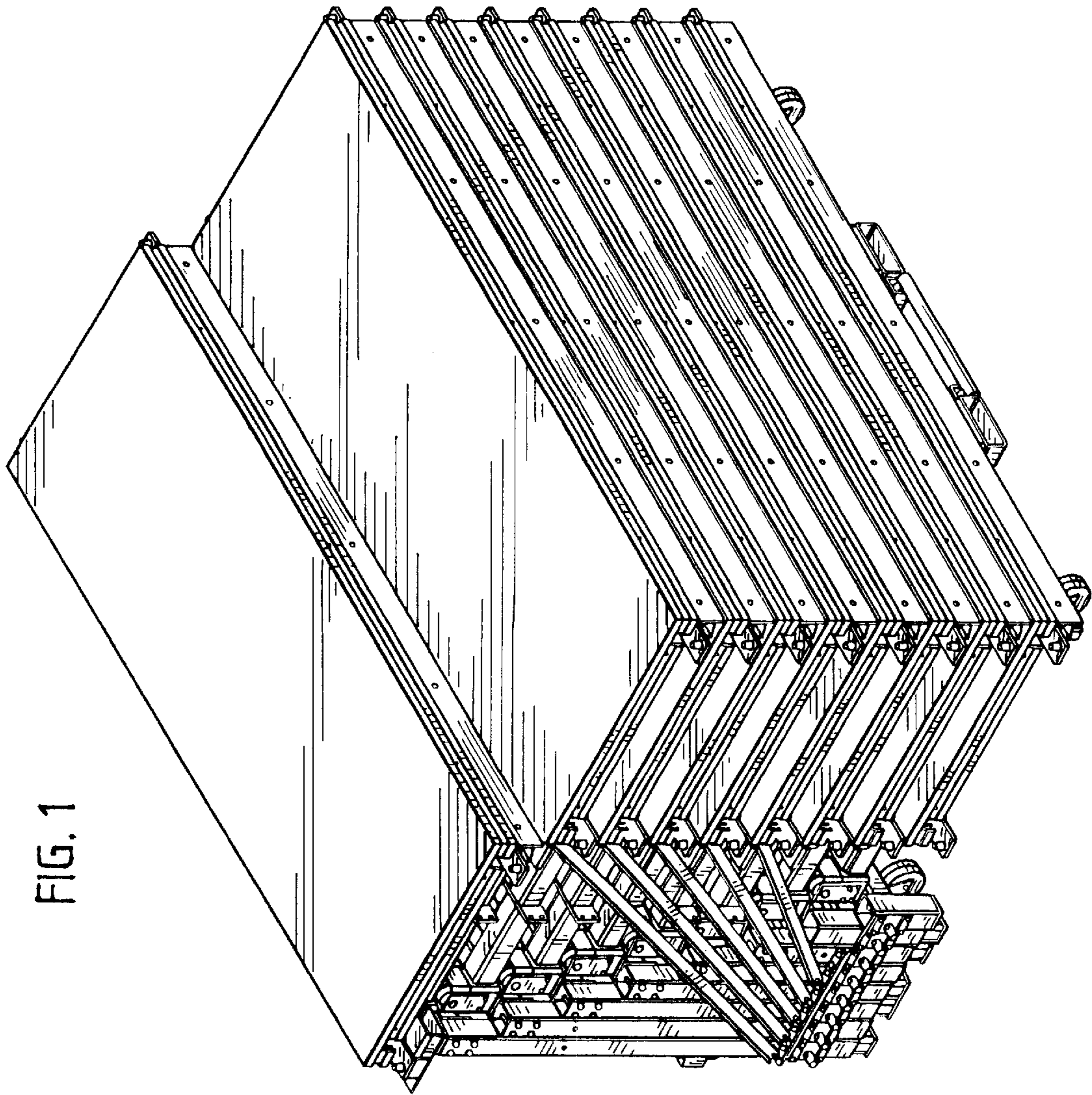


FIG. 1

FIG. 2

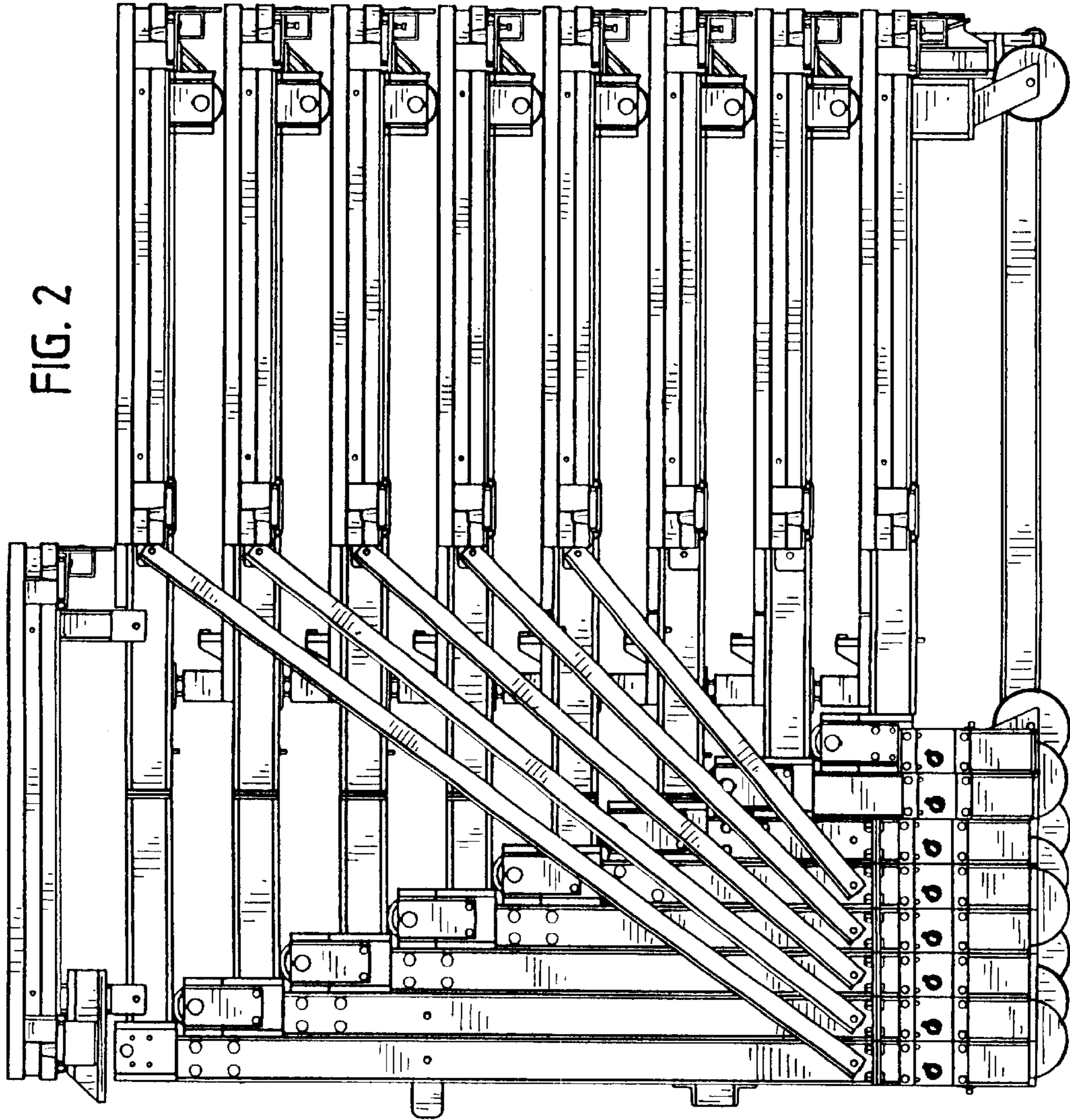


FIG. 3

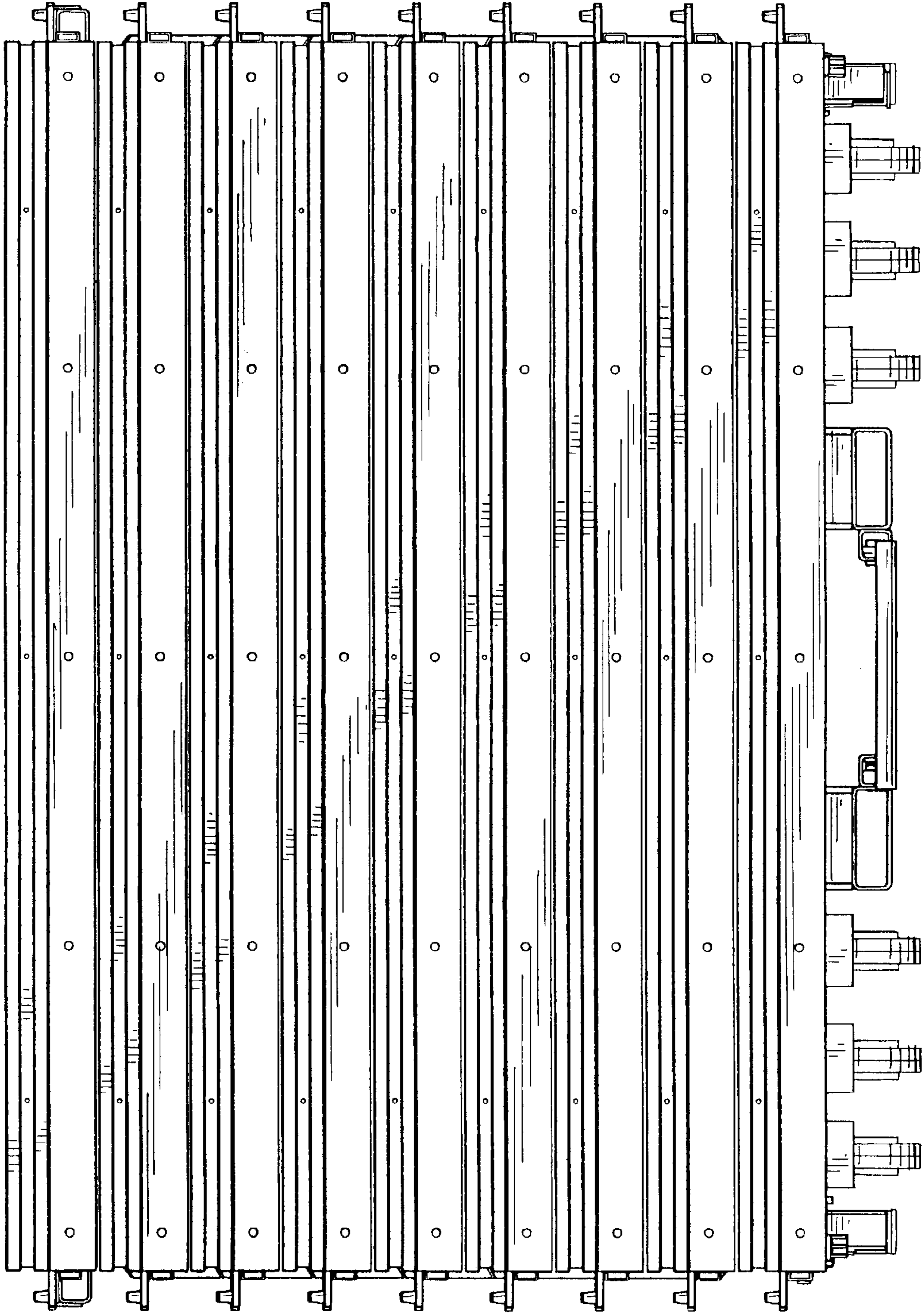
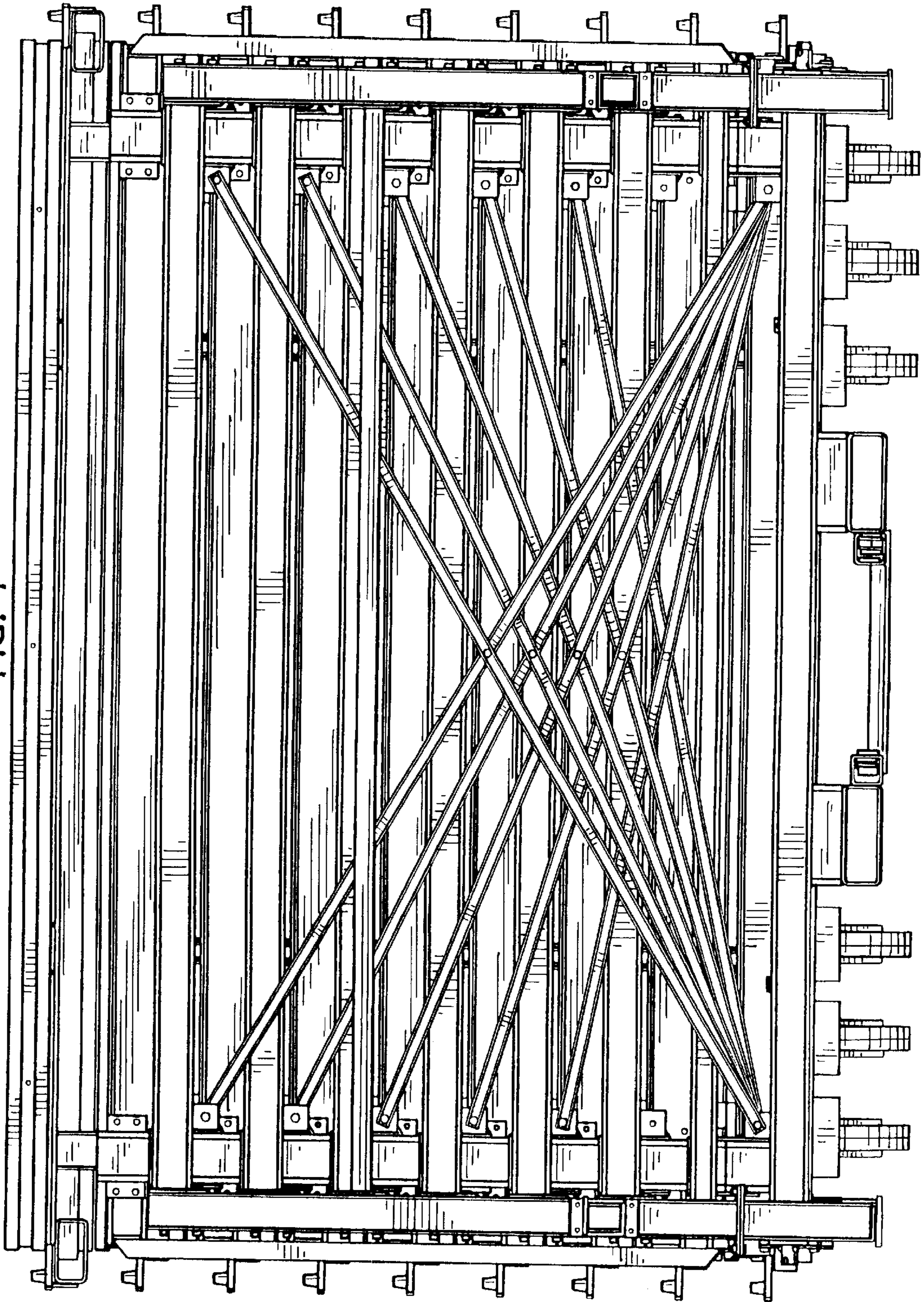


FIG. 4



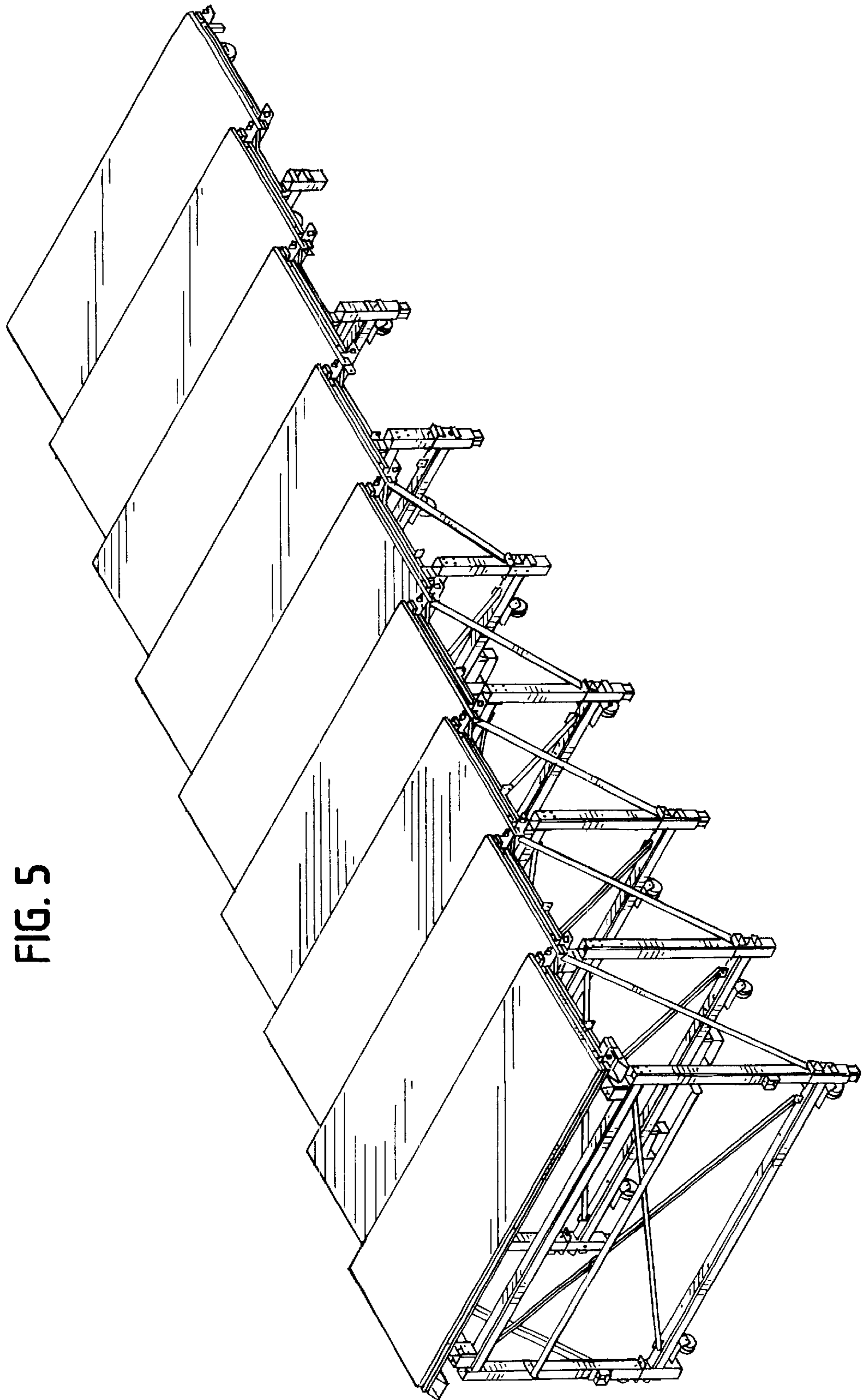


FIG. 5

FIG. 6

