



US00D458999S

(12) **United States Design Patent**
Tudico

(10) **Patent No.:** **US D458,999 S**
(45) **Date of Patent:** **** Jun. 18, 2002**

(54) **MESSAGE APPARATUS**

(75) Inventor: **Gianfranco Tudico**, Bourg les Valence (FR)

(73) Assignee: **LPG Systems (FR)**

(**) Term: **14 Years**

(21) Appl. No.: **29/129,792**

(22) Filed: **Sep. 22, 2000**

(30) **Foreign Application Priority Data**

Mar. 23, 2000 (XH) DM/051 621

(51) **LOC (7) Cl.** **24-01**

(52) **U.S. Cl.** **D24/200**

(58) **Field of Search** D24/200, 215;
601/70, 71, 72, 73, 115, 123, 149, 150;
606/9

(56) **References Cited**

U.S. PATENT DOCUMENTS

D188,269 S * 6/1960 Sundberg D24/200
D195,537 S * 6/1963 Kendall D24/200

D404,496 S * 1/1999 Tudico D24/215
D438,309 S * 2/2001 Young D24/215
D438,973 S * 3/2001 Tudico D24/200

* cited by examiner

Primary Examiner—Stella Reid

(74) *Attorney, Agent, or Firm*—Parkhurst & Wendel, L.L.P.

(57) **CLAIM**

The ornamental design for a message apparatus, as shown and described.

DESCRIPTION

FIG. 1 is a perspective view of the message apparatus showing my design;
FIG. 2 is a perspective view with the top panel thereof opened;
FIG. 3 is a front view thereof;
FIG. 4 is a rear view thereof;
FIG. 5 is a left side view thereof;
FIG. 6 is a right side view thereof;
FIG. 7 is a top view thereof; and,
FIG. 8 is a bottom view thereof.

1 Claim, 4 Drawing Sheets

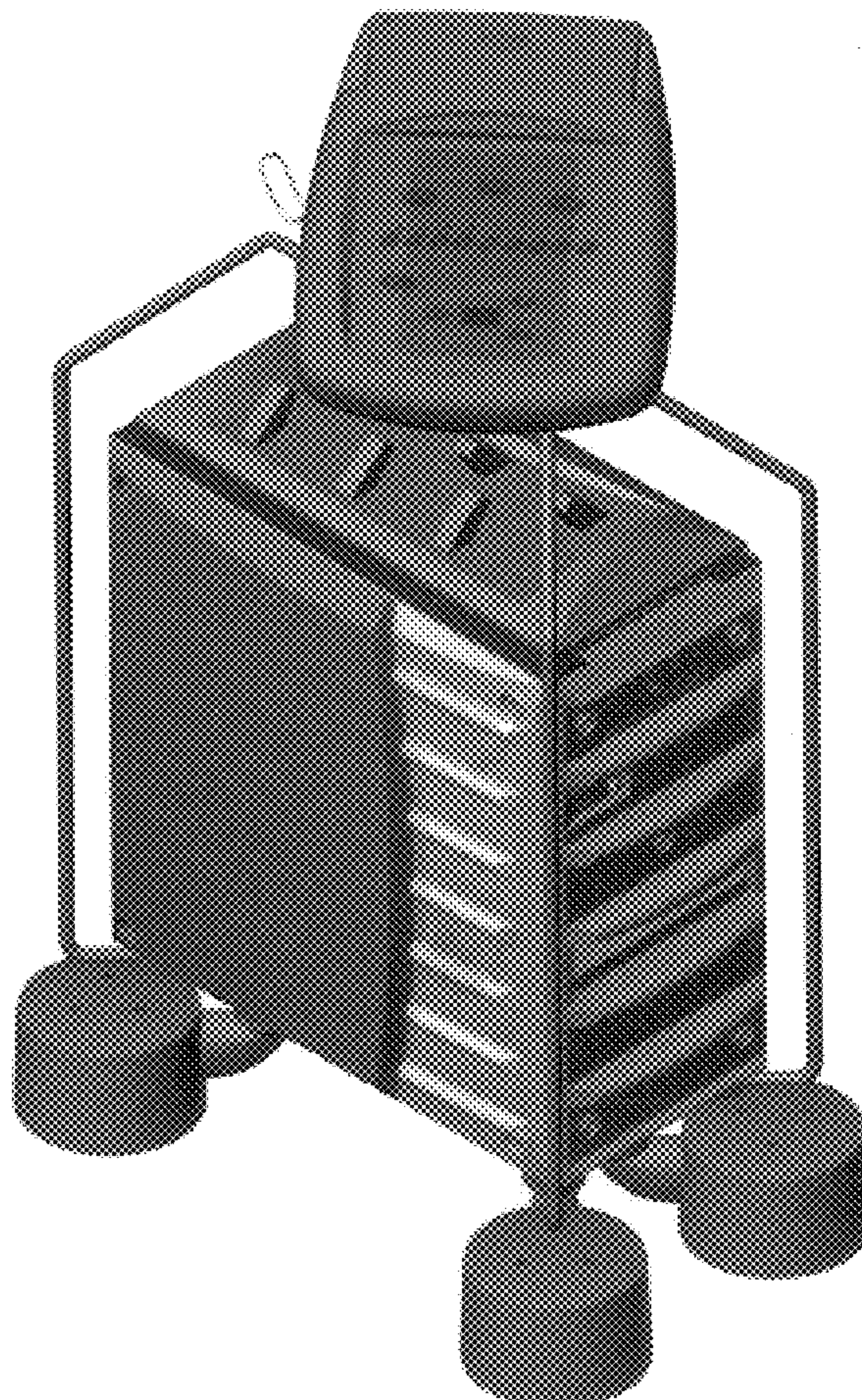


FIG. 1

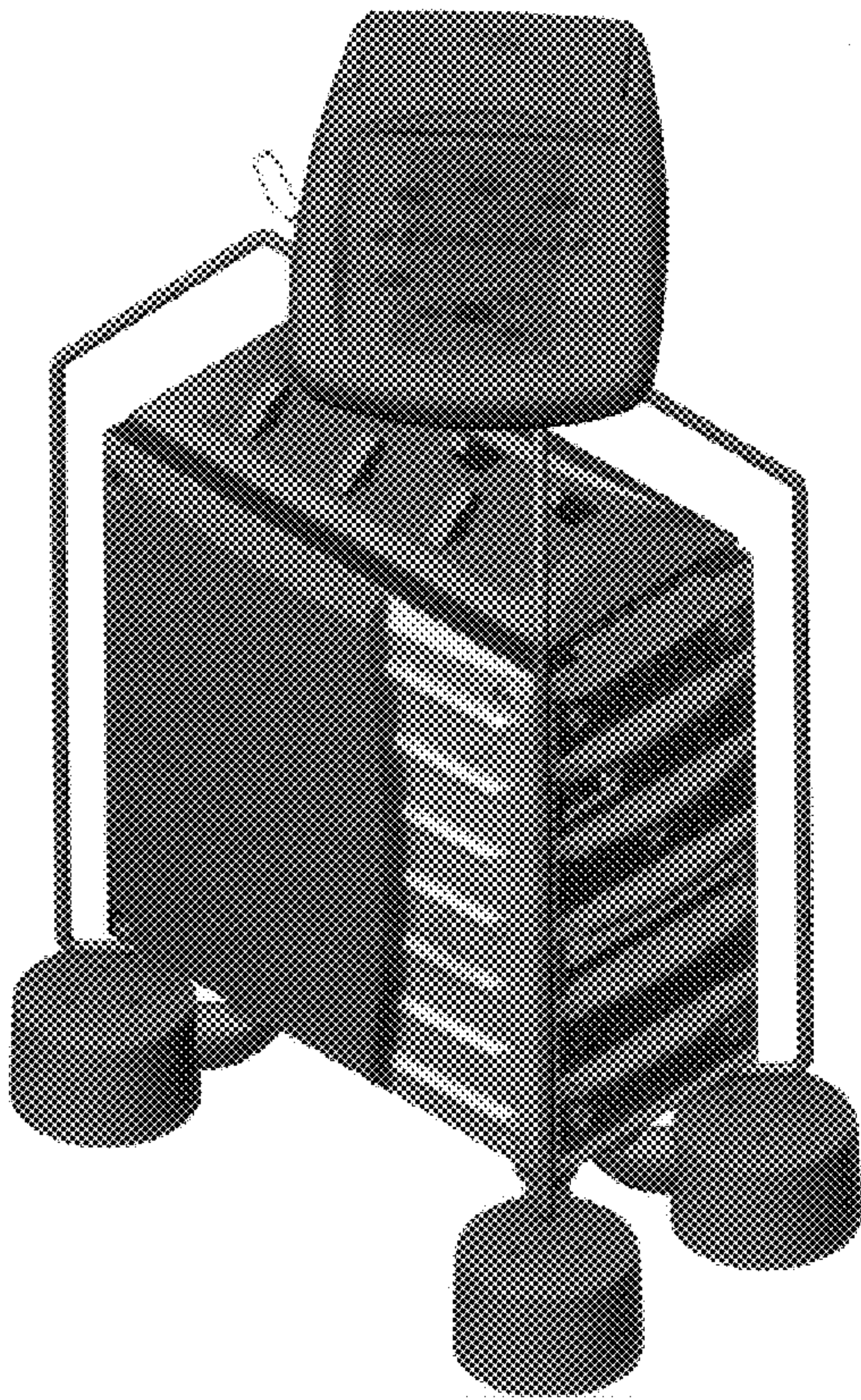


FIG. 2

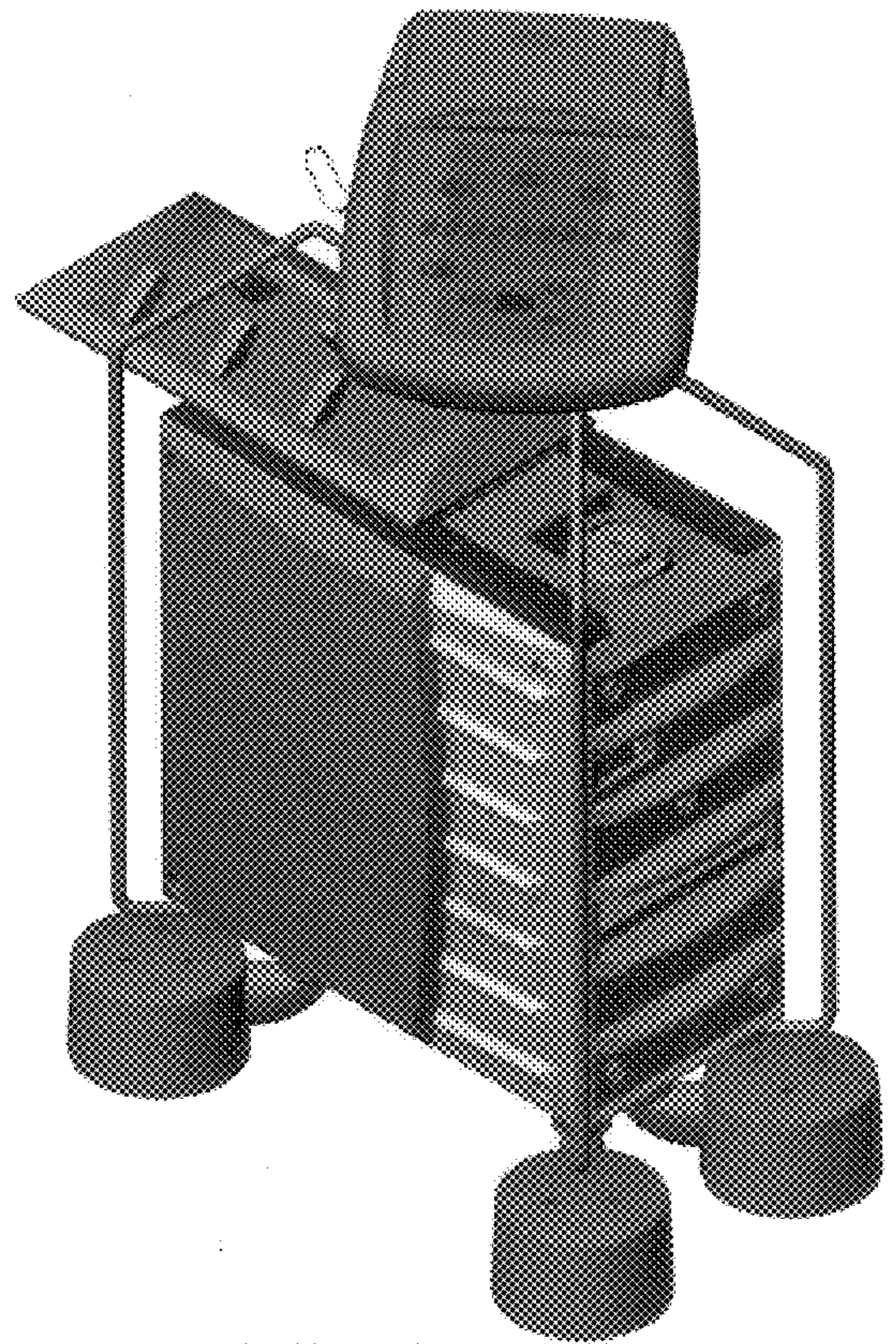


FIG. 3

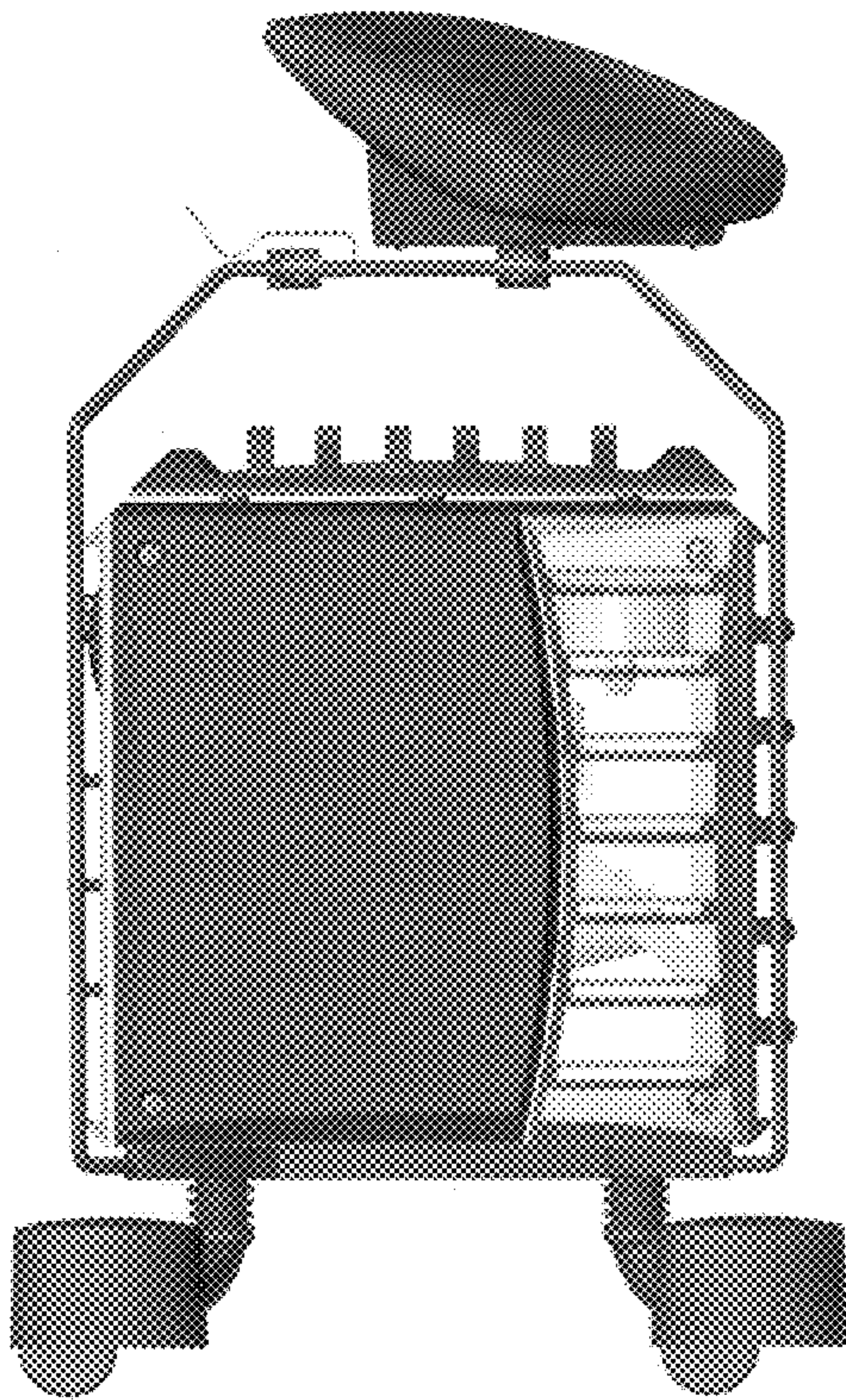


FIG. 4

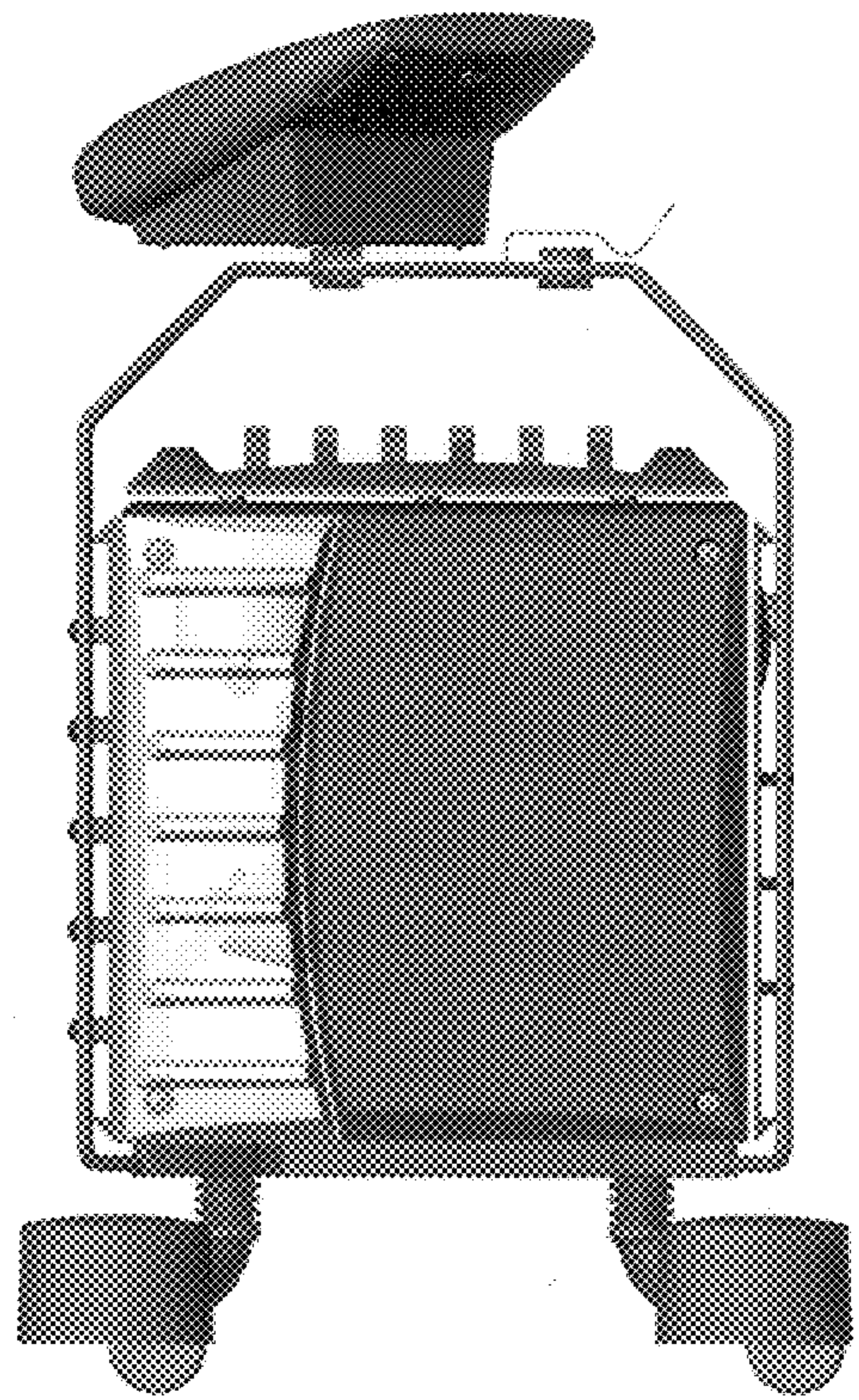


FIG. 5

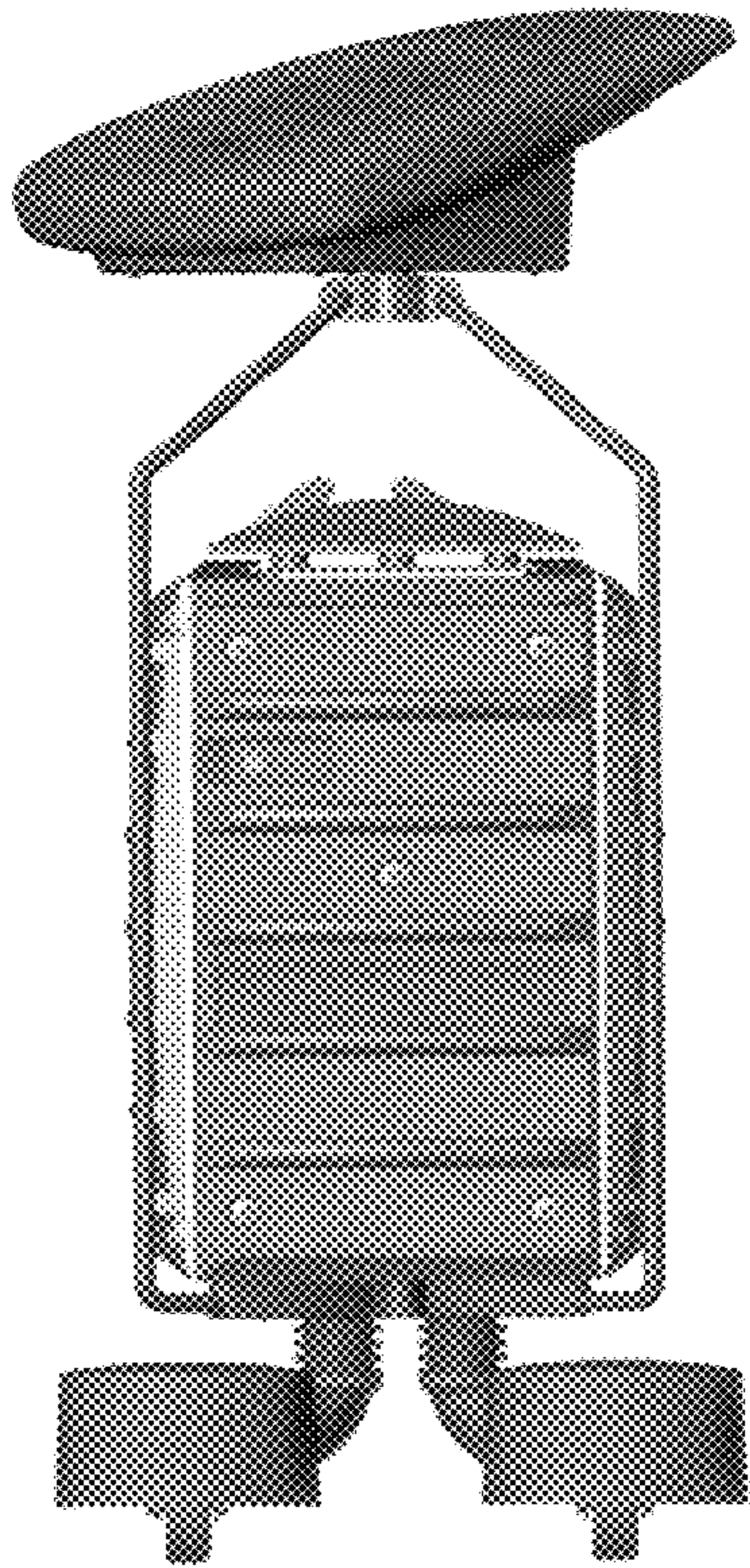


FIG. 6

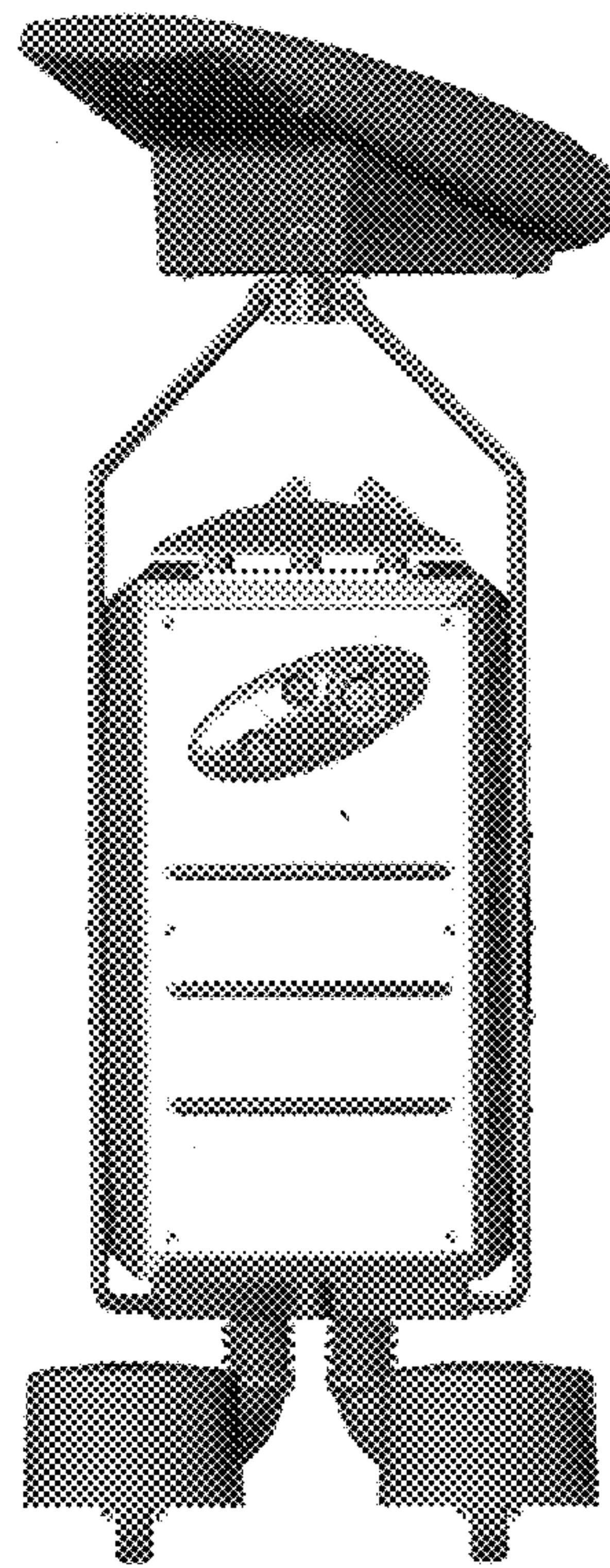


FIG. 7

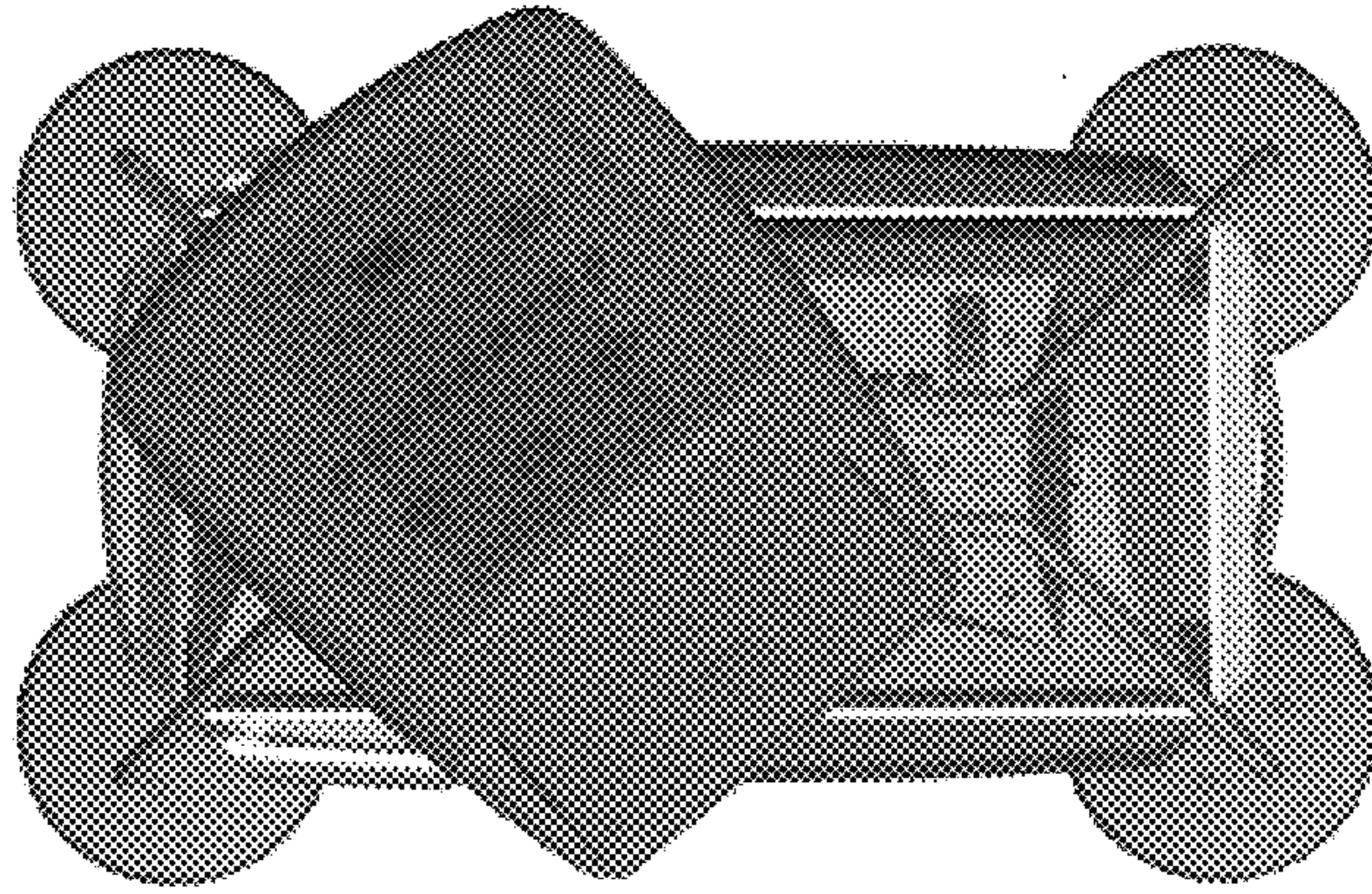


FIG. 8

