



US00D458998S

(12) **United States Design Patent**  
**Tolan et al.**

(10) **Patent No.:** **US D458,998 S**

(45) **Date of Patent:** **\*\* Jun. 18, 2002**

(54) **DENTAL PROTECTIVE BITE BLOCK**

6,241,518 B1 \* 6/2001 Sullivan ..... 433/22

(76) Inventors: **Tod F. Tolan**, 3410 River Knoll Way,  
West Linn, OR (US) 97068; **Terrence  
A. Clark**, 29292 SW. Town Center,  
Loop E, Wilsonville, OR (US) 97070

\* cited by examiner

*Primary Examiner*—Antoine Duval Davis  
(74) *Attorney, Agent, or Firm*—Keith A. Cushing

(\*\*) Term: **14 Years**

(57) **CLAIM**

The ornamental design for a dental protective bite block,  
substantially as shown and described.

(21) Appl. No.: **29/131,258**

**DESCRIPTION**

(22) Filed: **Oct. 16, 2000**

(51) **LOC (7) Cl.** ..... **24-01**

FIG. 1 illustrates a side view of a dental protective bite block  
according to our ornamental design.

(52) **U.S. Cl.** ..... **D24/181**

FIG. 2 is a top view of the dental protective bite block as  
taken along lines 2-2 of FIG. 1.

(58) **Field of Search** ..... D24/181; 128/861,  
128/862, 846, 848, 859, 860; 433/6, 140,  
22

FIG. 3 is a front end view of the dental protective bite block  
of FIG. 1 as taken along lines 3-3 of FIG. 2.

(56) **References Cited**

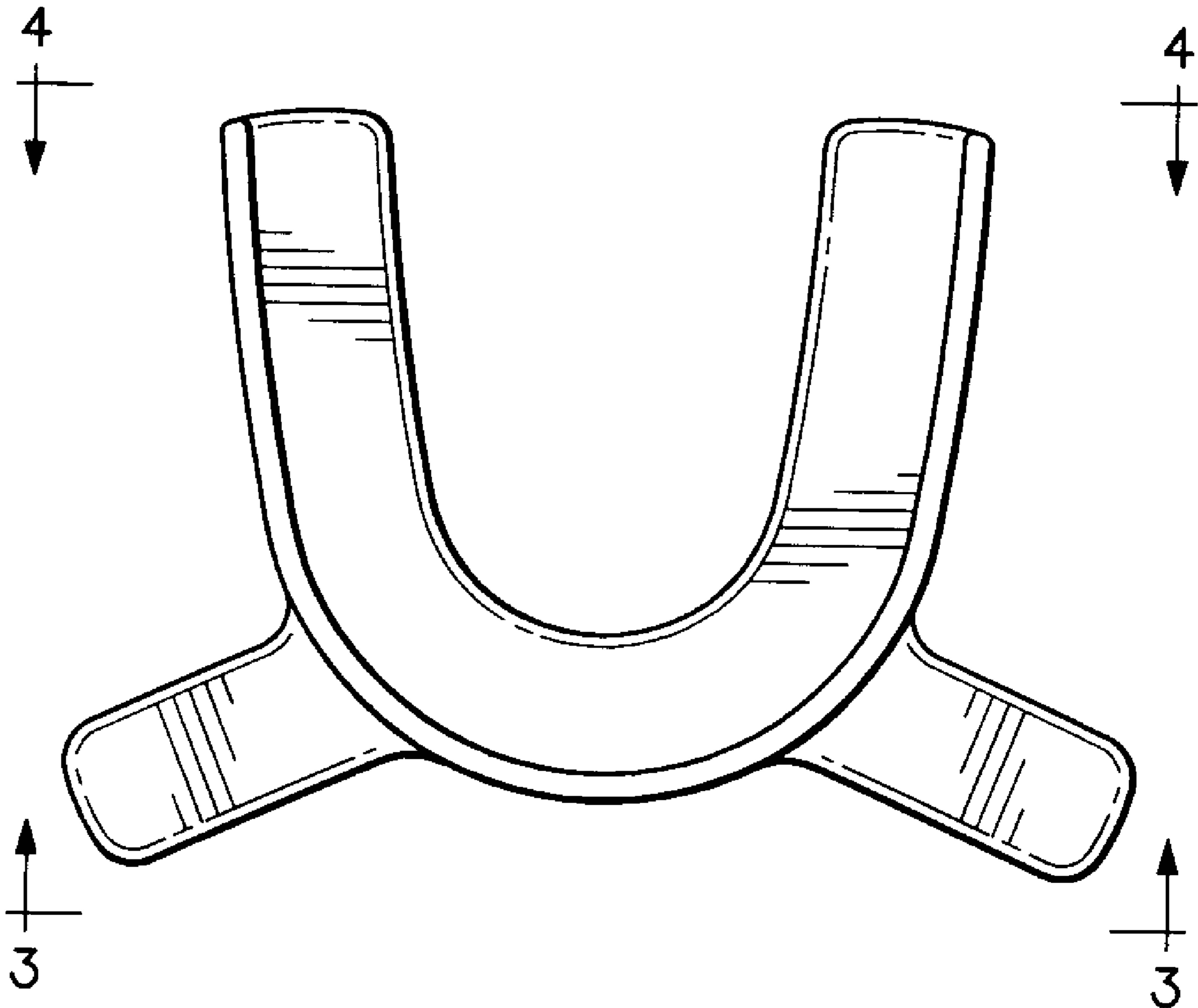
FIG. 4 is a front end view of the dental protective bite block  
of FIG. 1 as taken along lines 4-4 of FIG. 2; and,

**U.S. PATENT DOCUMENTS**

FIG. 5 is a bottom view of the dental protective bite block  
of FIG. 1 as taken along lines 5-5 of FIG. 4.

- D408,919 S \* 4/1999 Cooley ..... D24/181
- D413,386 S \* 8/1999 Werrin ..... D24/181
- D434,501 S \* 11/2000 Redhage ..... D24/181

**1 Claim, 1 Drawing Sheet**



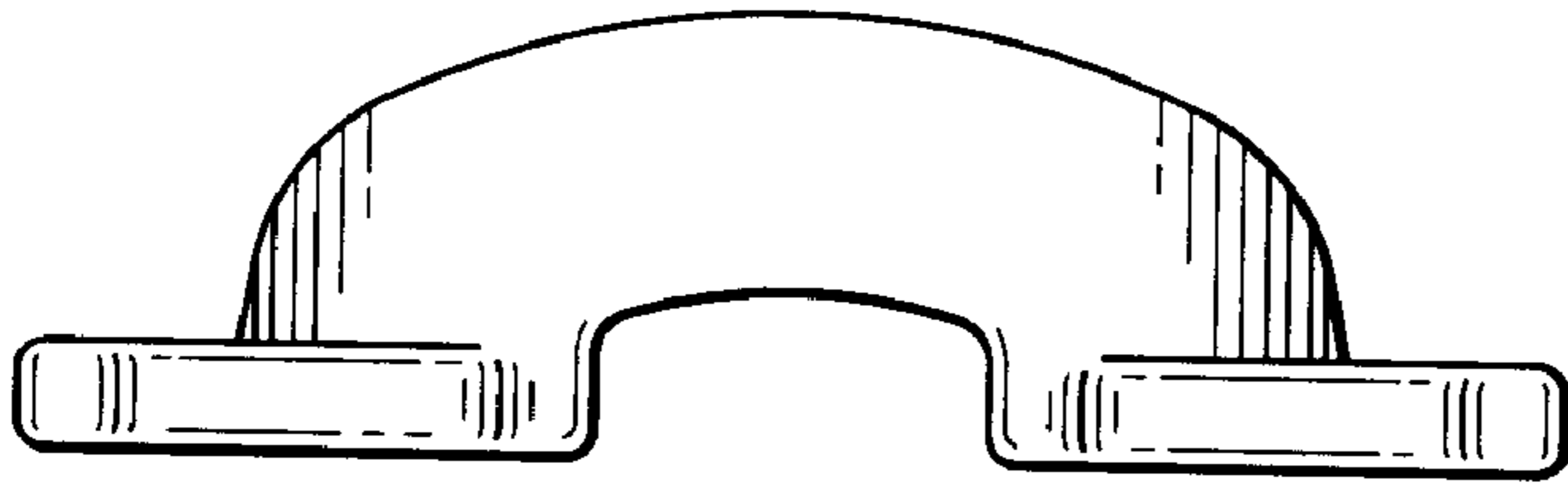


FIG. 3

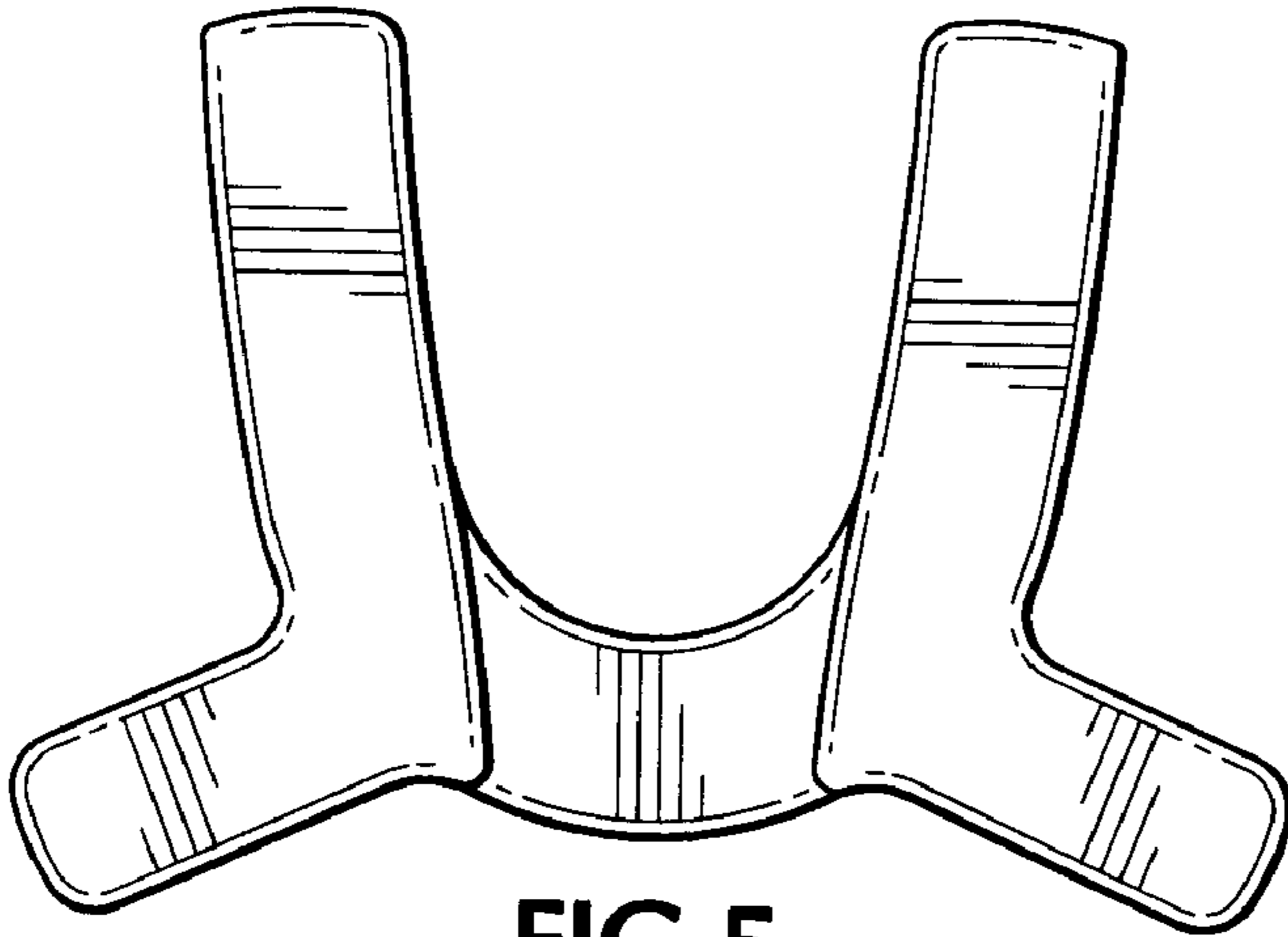


FIG. 5

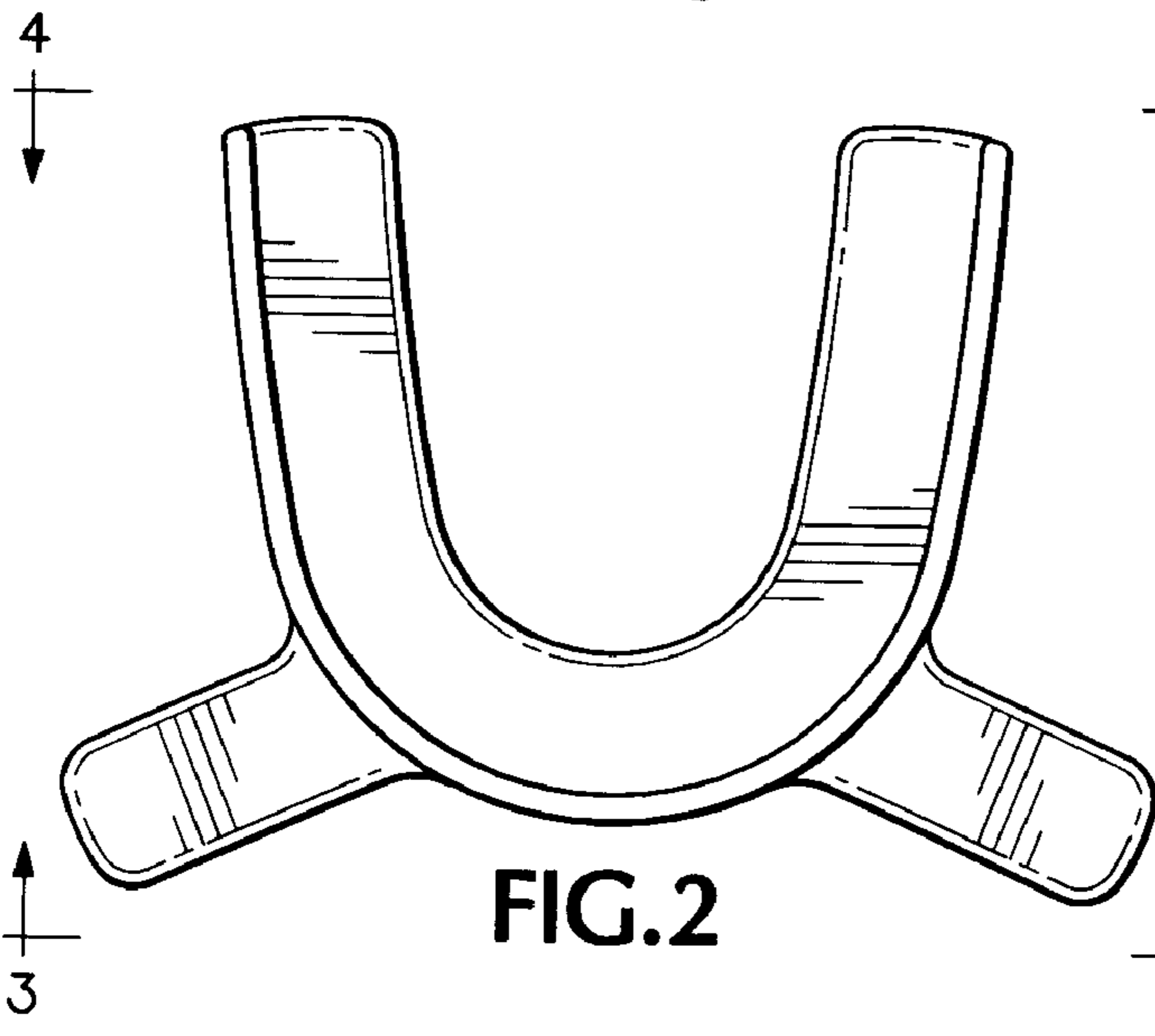


FIG. 2

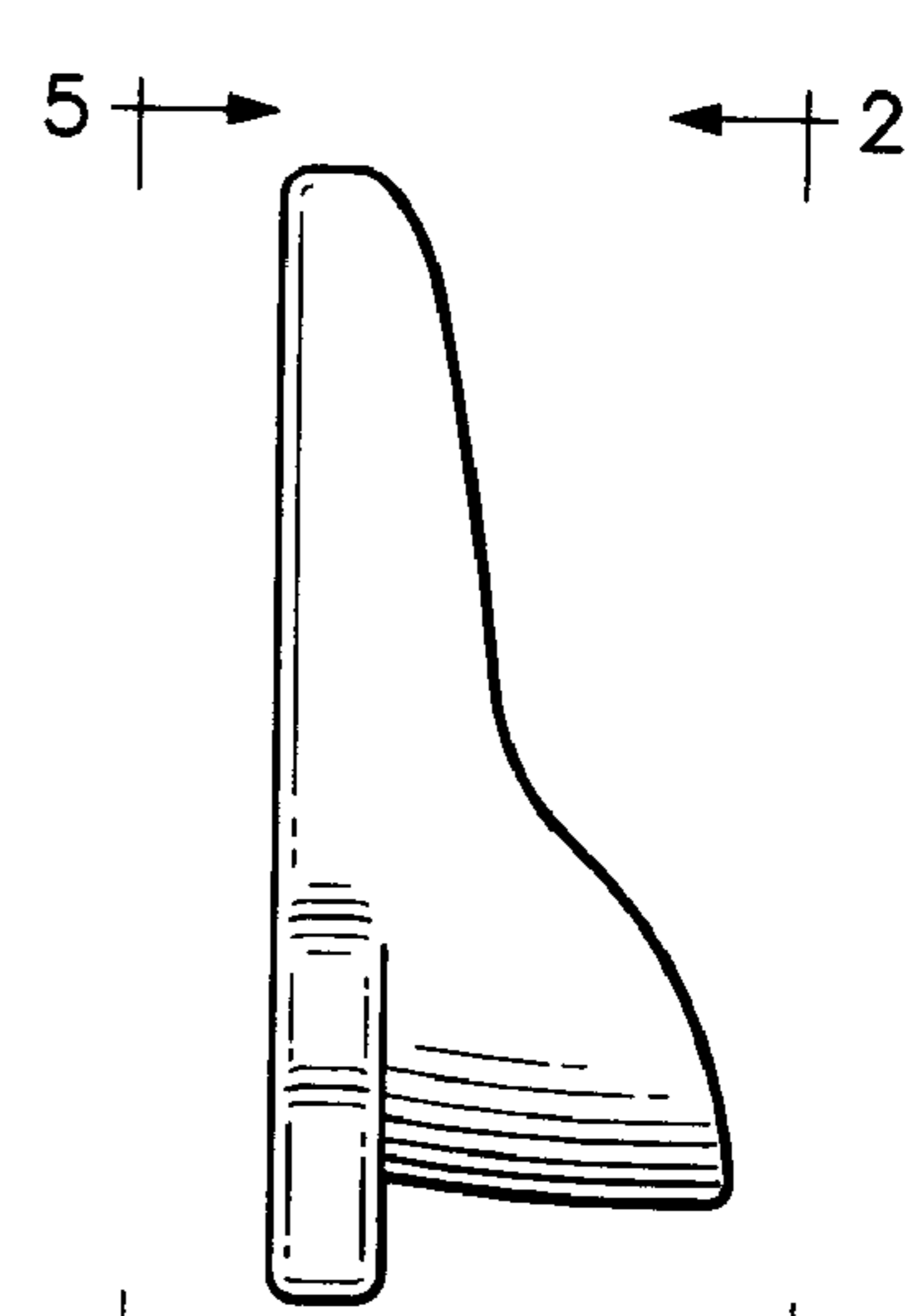


FIG. 1

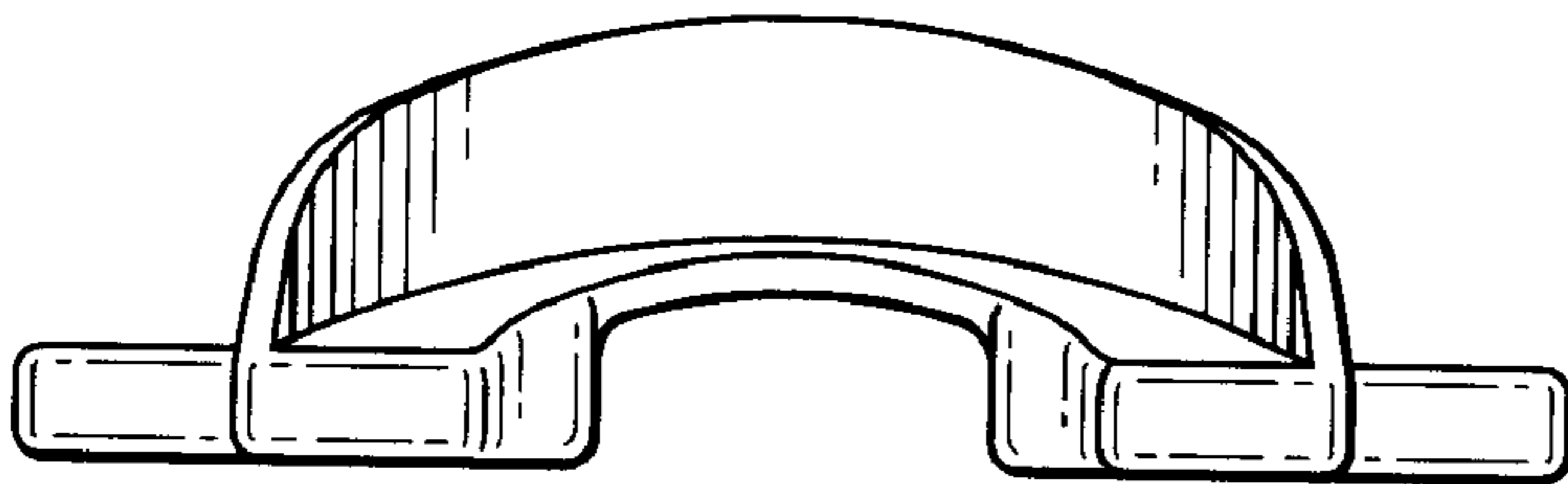


FIG. 4