



US00D458997S

(12) **United States Design Patent**  
**Crawford et al.**

(10) **Patent No.:** **US D458,997 S**  
(45) **Date of Patent:** **\*\* Jun. 18, 2002**

(54) **ADAPTOR**  
(75) **Inventors:** **Jamieson William Maclean Crawford,**  
**New York, NY (US); Frank**  
**Francavilla, Newton, NJ (US)**

5,504,011 A \* 4/1996 Gavin et al. .... 600/573  
5,518,006 A \* 5/1996 Mawhirt et al. .... 600/583  
5,800,781 A \* 9/1998 Gavin et al. .... 422/58  
6,056,701 A \* 5/2000 Duchon et al. .... 600/583  
6,196,979 B1 \* 3/2001 Virtanen ..... 600/573

(73) **Assignee:** **Becton, Dickinson and Company,**  
**Franklin Lakes, NJ (US)**

\* cited by examiner

*Primary Examiner*—Ian Simmons

(\*\*) **Term:** **14 Years**

(74) *Attorney, Agent, or Firm*—Nanette S. Thomas

(21) **Appl. No.:** **29/139,539**

(22) **Filed:** **Mar. 30, 2001**

(57) **CLAIM**

The ornamental design for an adaptor, as shown and described.

(51) **LOC (7) Cl.** ..... **24-02**

**DESCRIPTION**

(52) **U.S. Cl.** ..... **D24/169; D24/128; D24/130**

(58) **Field of Search** ..... D24/169, 112,  
D24/130, 140, 129, 128; 600/583, 365,  
579, 367, 465, 573, 576, 368, 369; 422/104,  
101, 58, 61

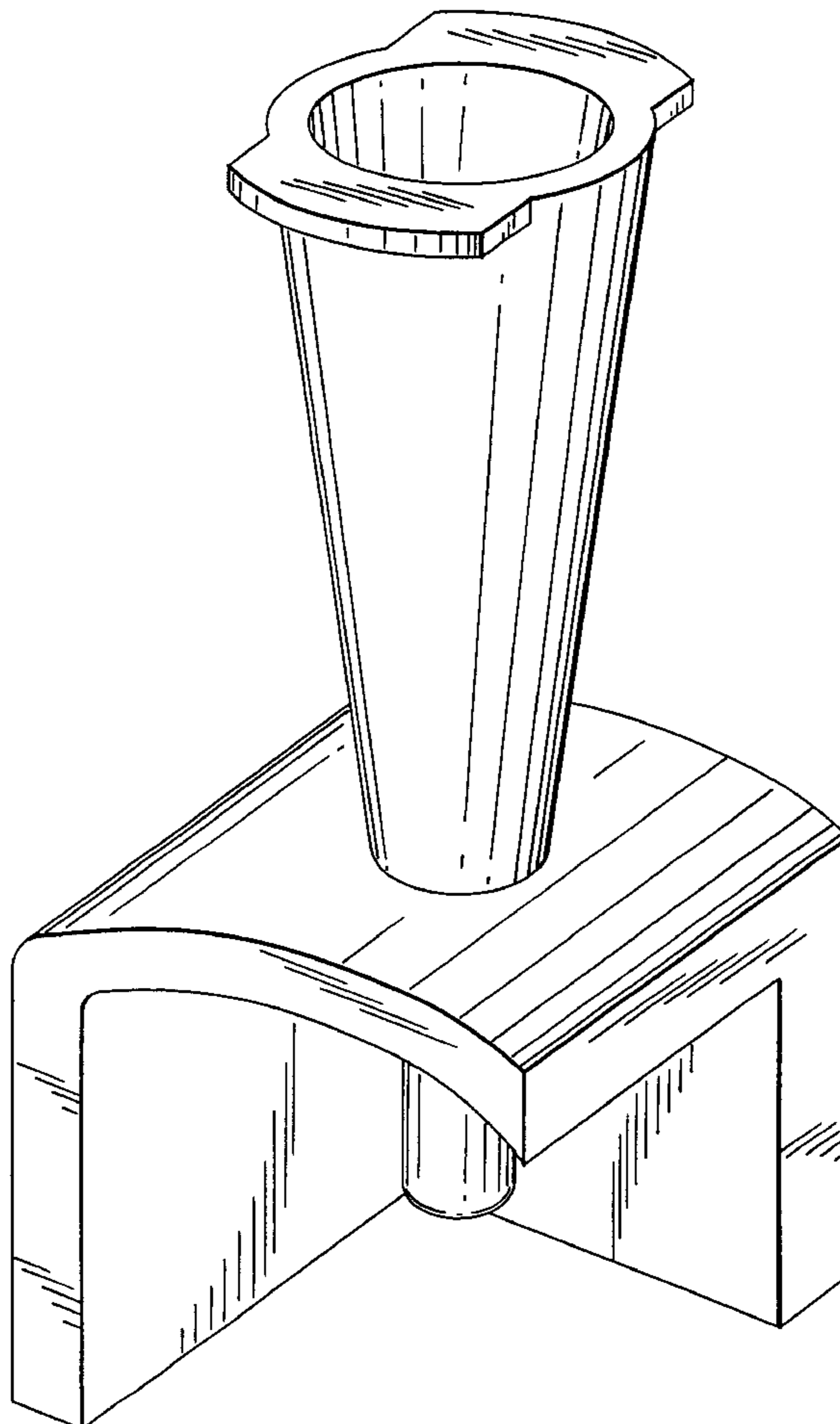
FIG. 1 is a perspective view of the adaptor;  
FIG. 2 is a top plan view of the adaptor of FIG. 1;  
FIG. 3 is a front elevational view thereof;  
FIG. 4 is a right side elevational view of the adaptor of FIG. 3;  
FIG. 5 is a left side elevational view of the adaptor of FIG. 3;  
FIG. 6 is a rear elevational view thereof; and,  
FIG. 7 is a bottom plan view thereof.

(56) **References Cited**

**U.S. PATENT DOCUMENTS**

D350,195 S \* 8/1994 Poulsen ..... D24/113  
D360,031 S \* 7/1995 Davis ..... D24/169

**1 Claim, 4 Drawing Sheets**



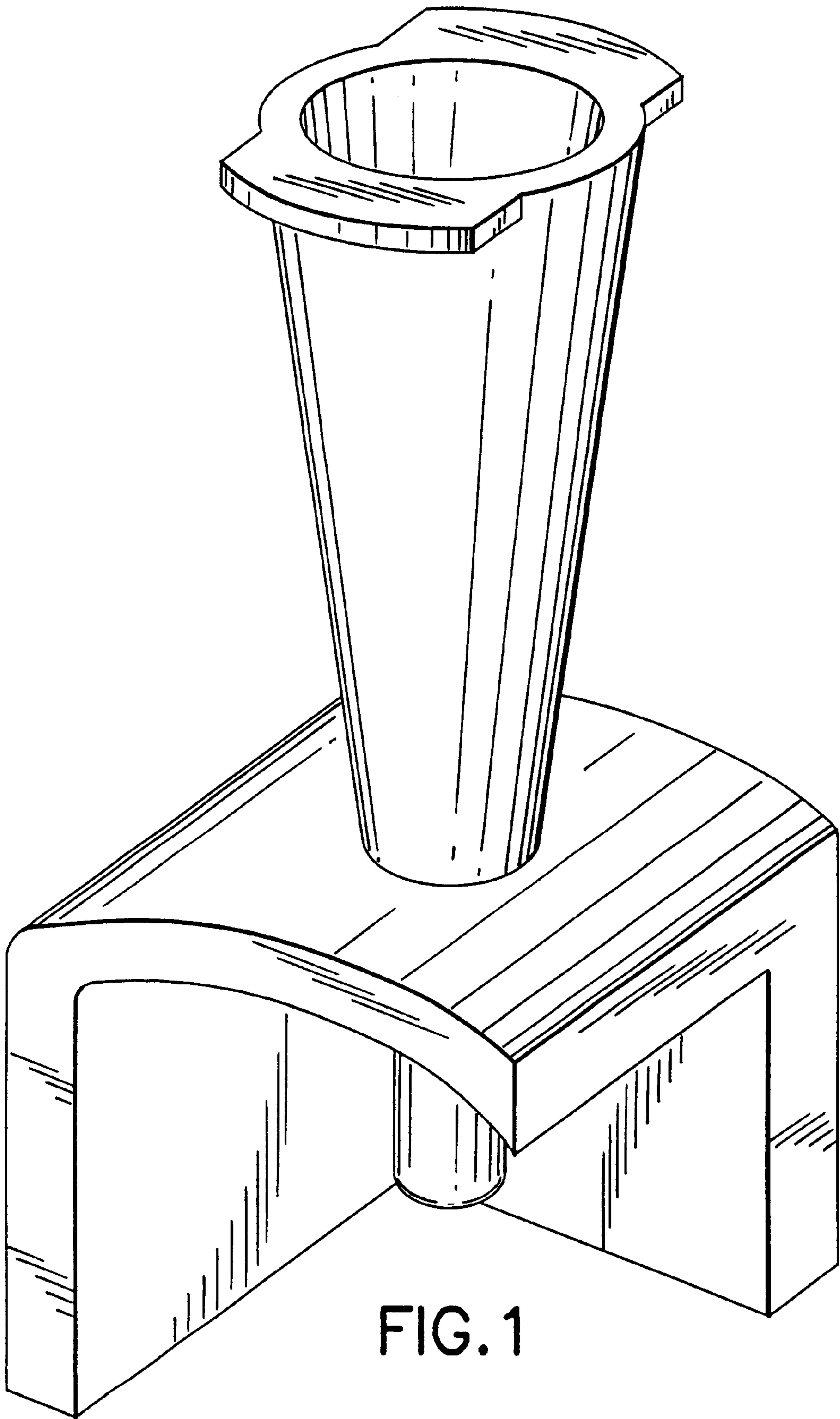


FIG. 1

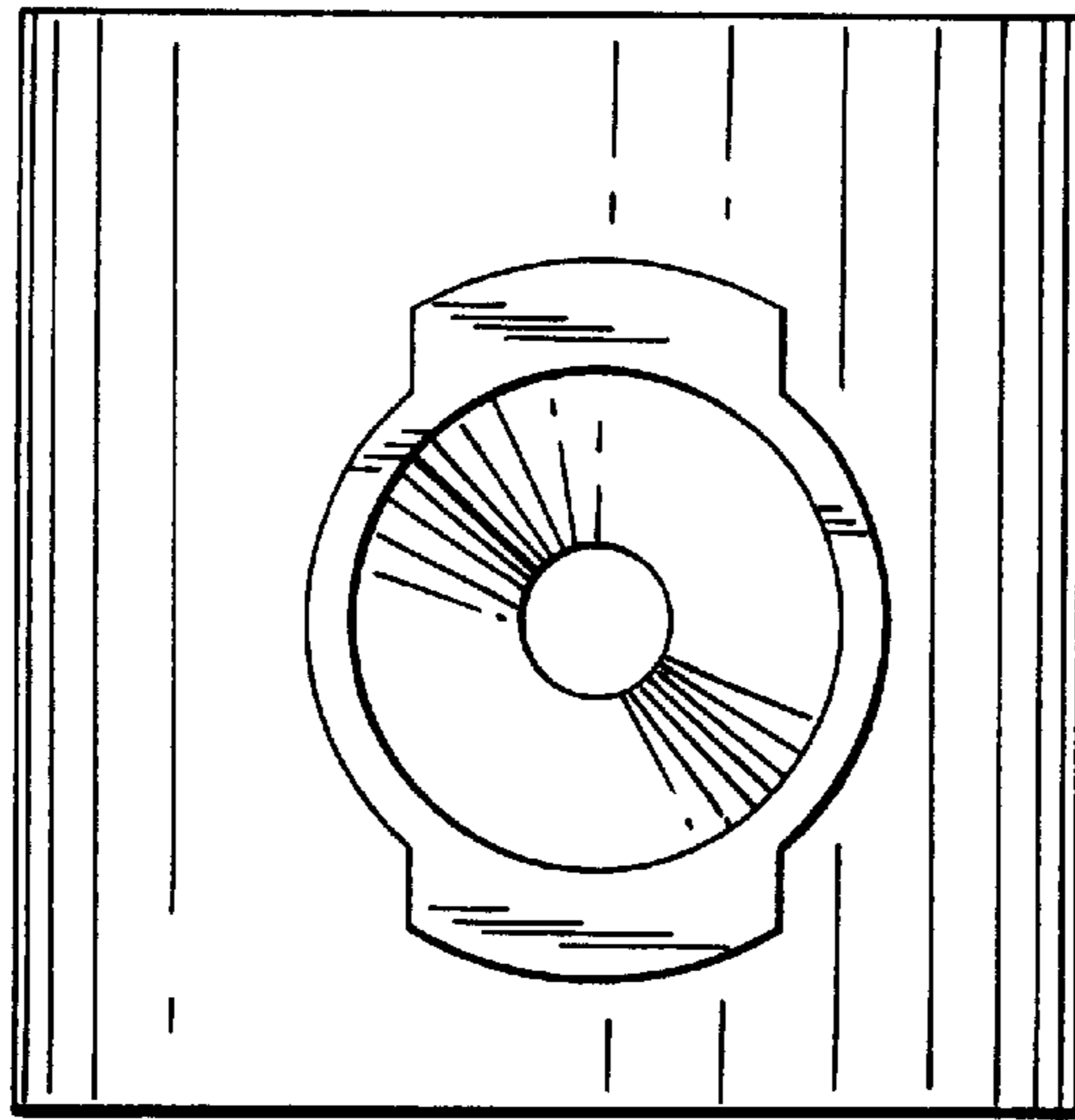


FIG. 2

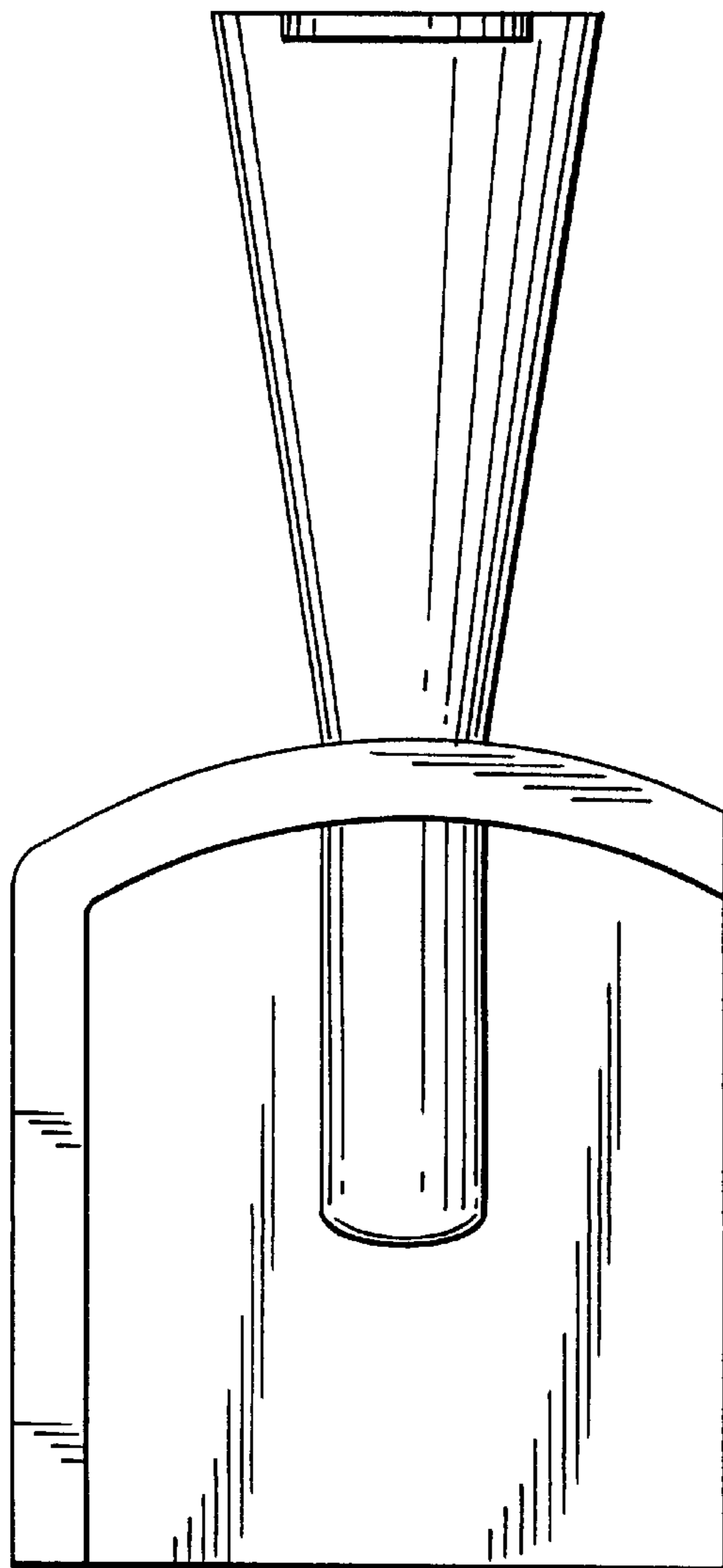
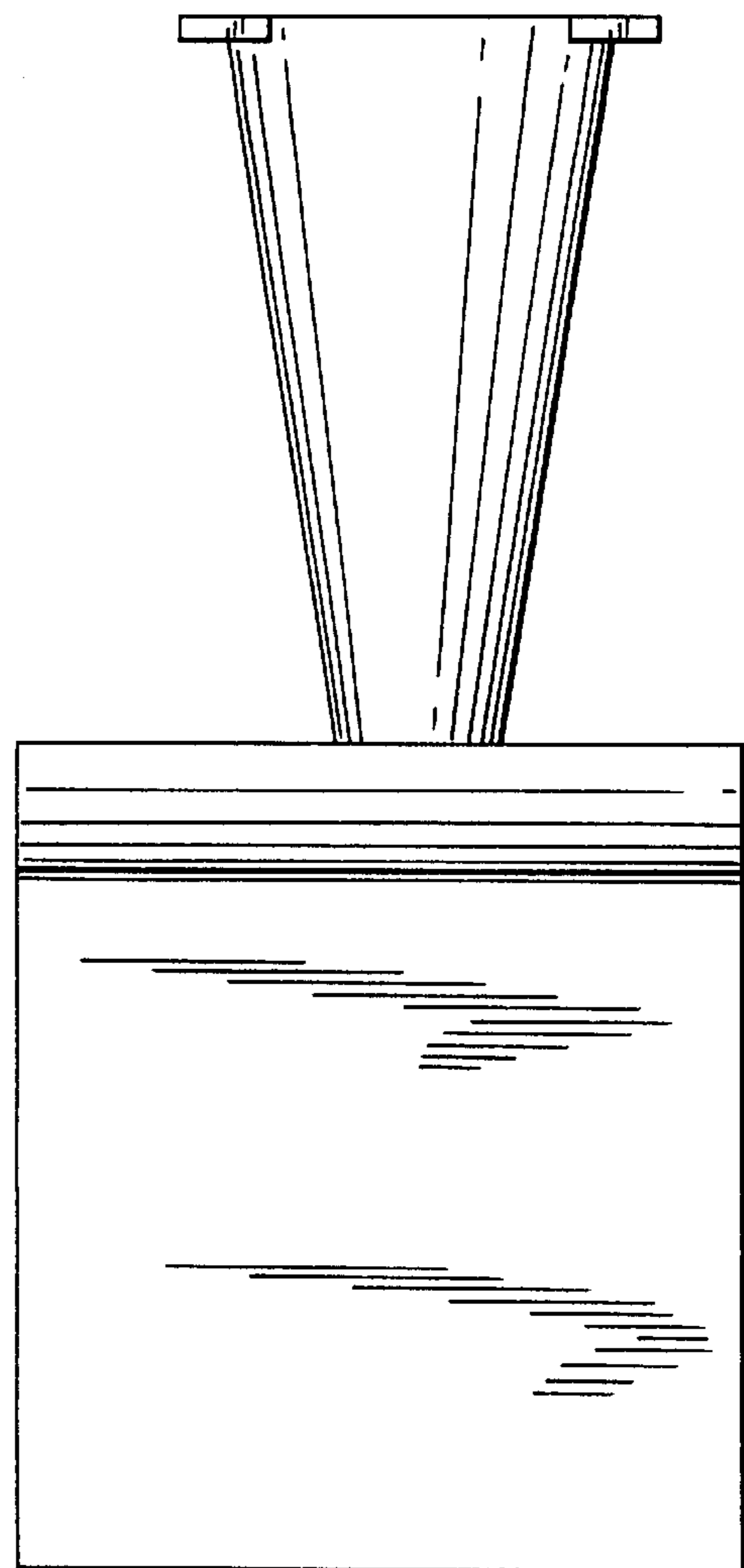
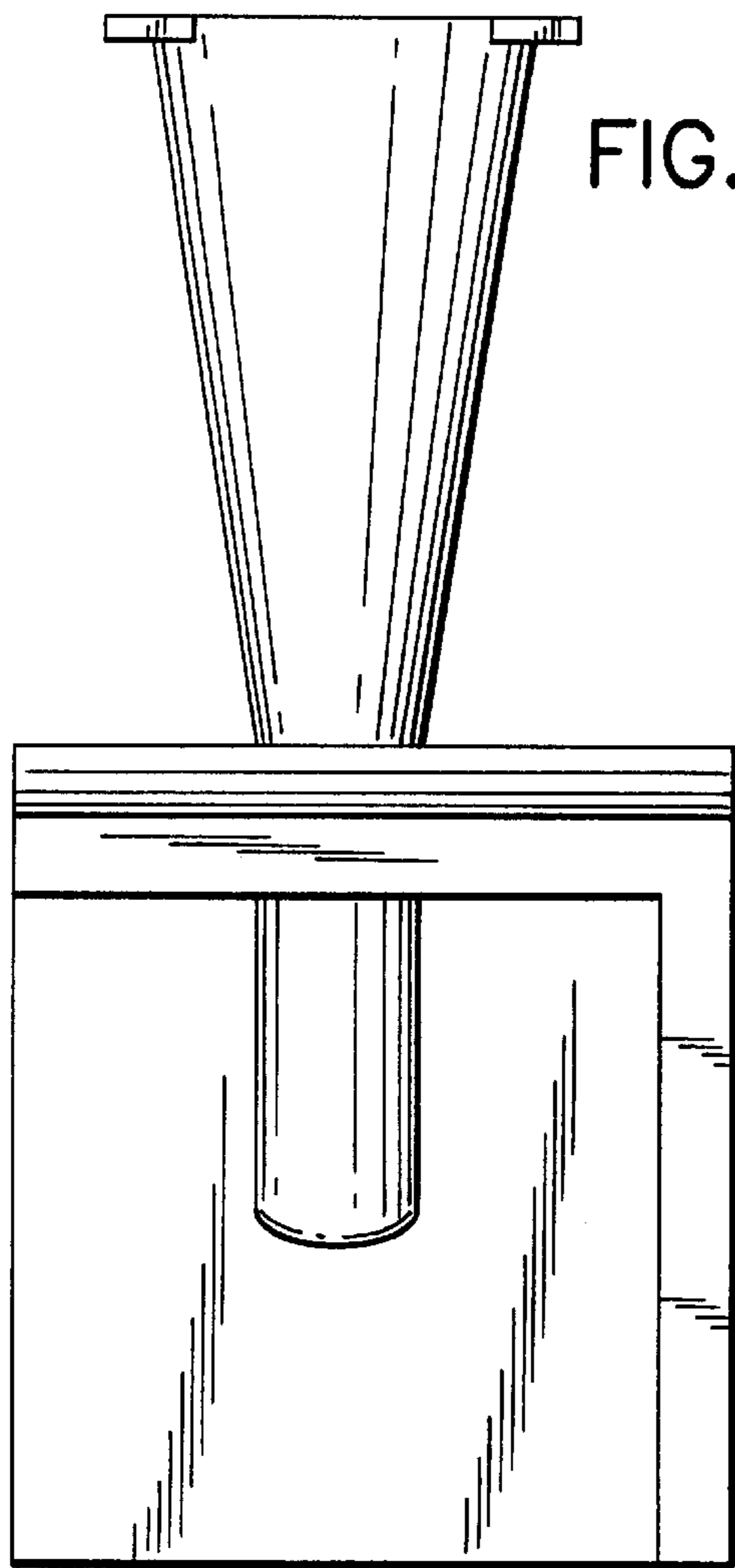


FIG. 3



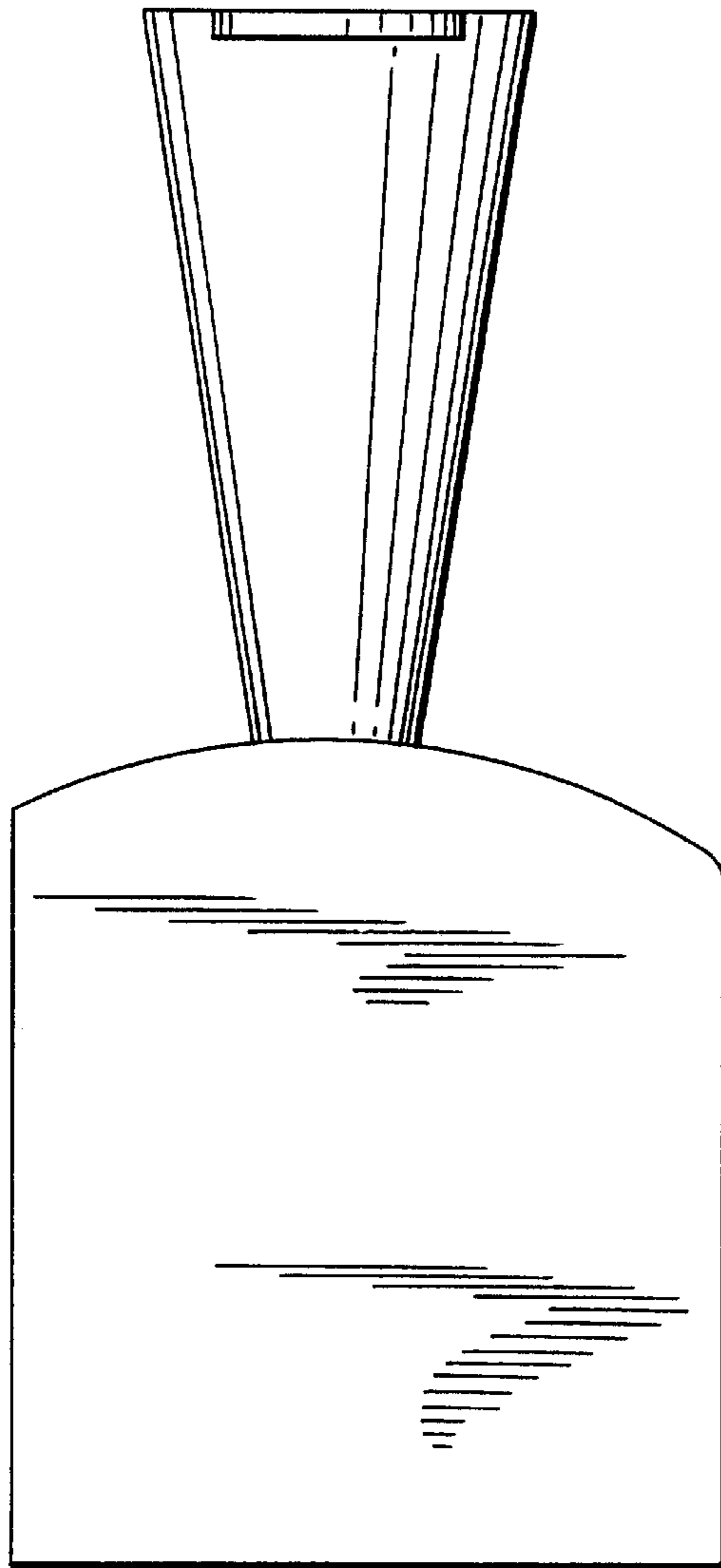


FIG. 6

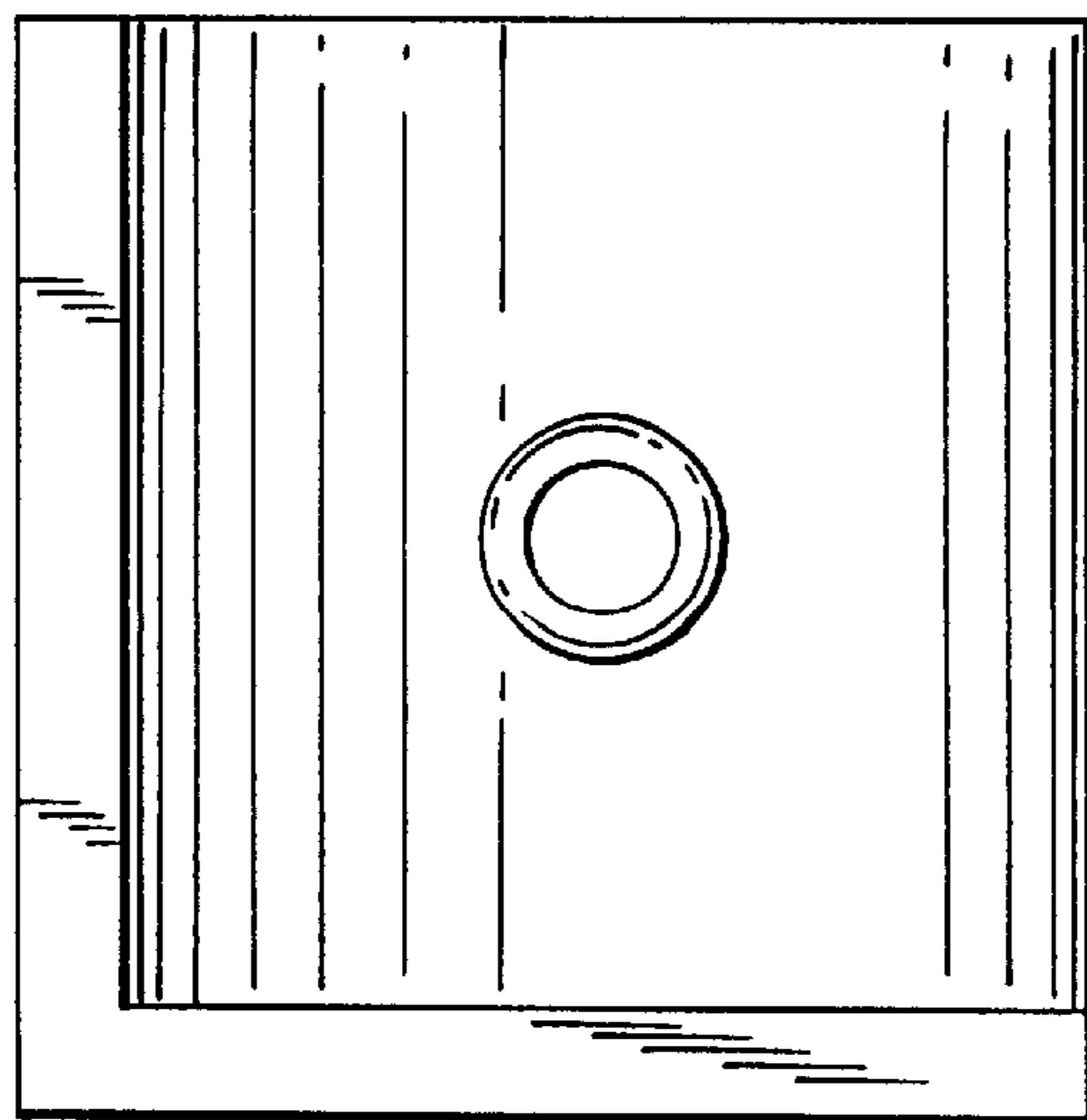


FIG. 7