



US00D458995S

(12) **United States Design Patent**
Lang

(10) **Patent No.:** **US D458,995 S**

(45) **Date of Patent:** **** Jun. 18, 2002**

(54) **TOOL HOLDER FOR MEDICAL INSTRUMENTS**

(75) **Inventor:** **Dieter Lang**, Stockheim (DE)

(73) **Assignee:** **Karl Storz GmbH & Co. KG** (DE)

(**) **Term:** **14 Years**

(21) **Appl. No.:** **29/126,204**

(22) **Filed:** **Jul. 11, 2000**

(30) **Foreign Application Priority Data**

Jan. 12, 2000 (DE) 400 00 399

(51) **LOC (7) Cl.** **24-02**

(52) **U.S. Cl.** **D24/133; D24/147**

(58) **Field of Search** D24/133, 146, D24/147; 606/70, 80, 79, 99, 100, 98, 96

(56) **References Cited**

U.S. PATENT DOCUMENTS

- D283,840 S * 5/1986 Matsutani D24/147
- 4,834,081 A * 5/1989 Zile 606/99
- 4,993,410 A * 2/1991 Kimsey 606/100
- 5,380,333 A * 1/1995 Meloul et al. 606/80

- 5,474,558 A * 12/1995 Neubardt 606/79
- 5,496,323 A * 3/1996 Dye 606/79
- 5,735,855 A * 4/1998 Bradley 606/80
- D444,556 S * 7/2001 Estrem D24/146

* cited by examiner

Primary Examiner—Ian Simmons

(74) *Attorney, Agent, or Firm*—St. Onge Steward Johnston & Reens LLC

(57) **CLAIM**

The ornamental design for a tool holder for medical instruments, substantially as shown and described.

DESCRIPTION

FIG. 1 is a front perspective view of a tool holder for medical instruments showing my new design, the broken line showing is for illustrative purposes only and forms no part of the claimed design;

FIG. 2 is a rear perspective view thereof;

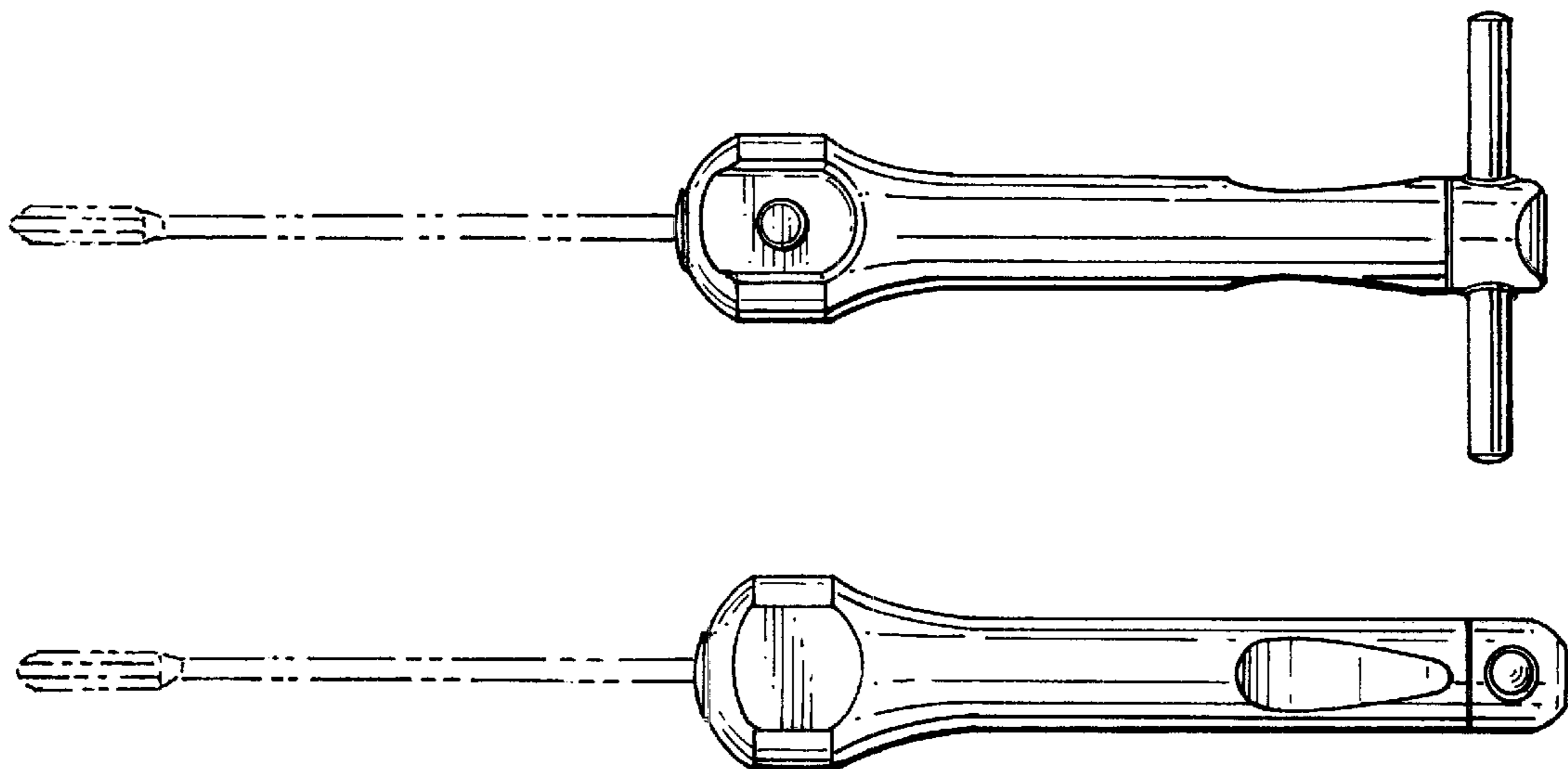
FIG. 3 is a top plan view thereof;

FIG. 4 is a bottom plan view thereof;

FIG. 5 is a right side elevational view thereof; and,

FIG. 6 is a left side elevational view thereof.

1 Claim, 2 Drawing Sheets



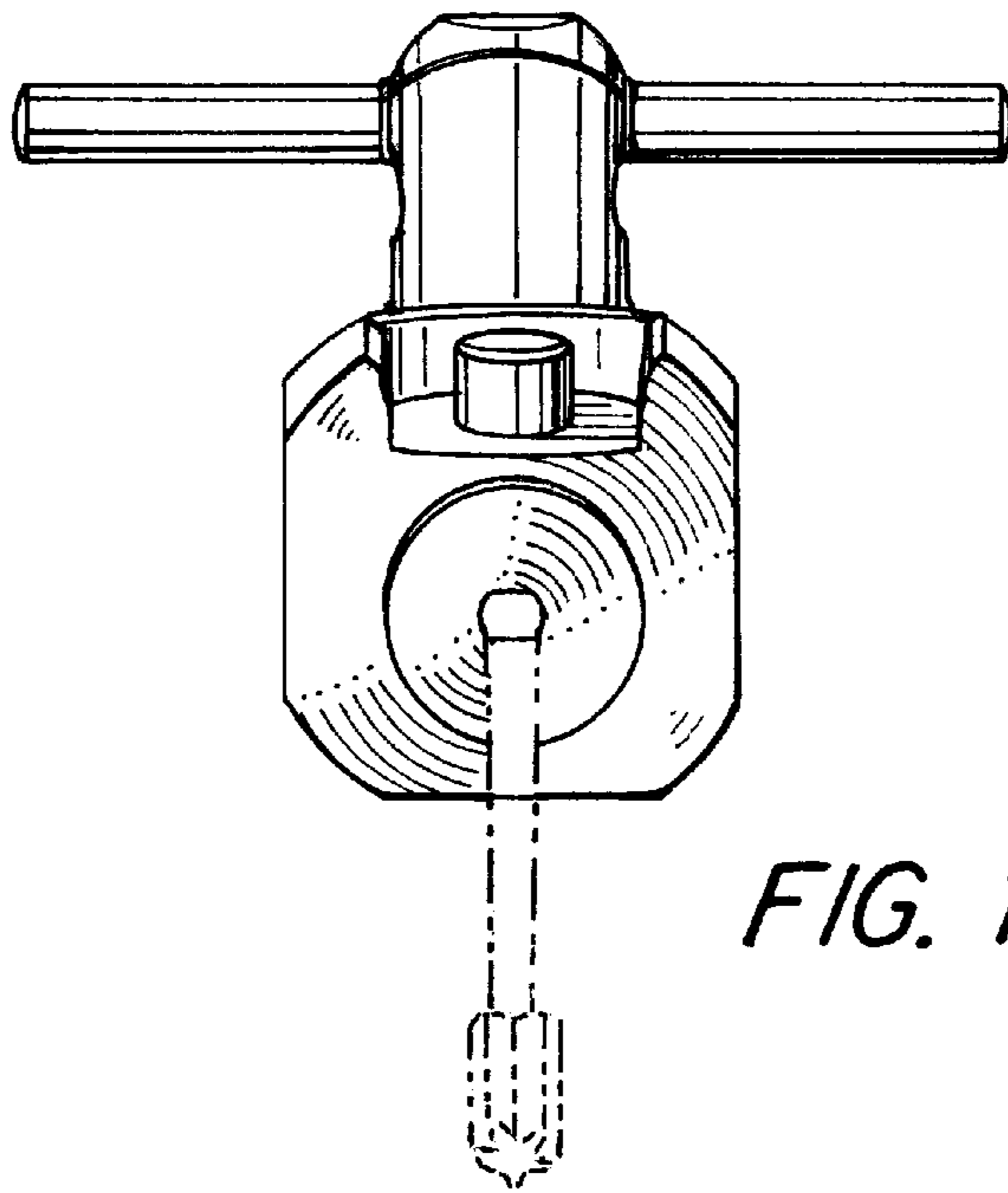


FIG. 1

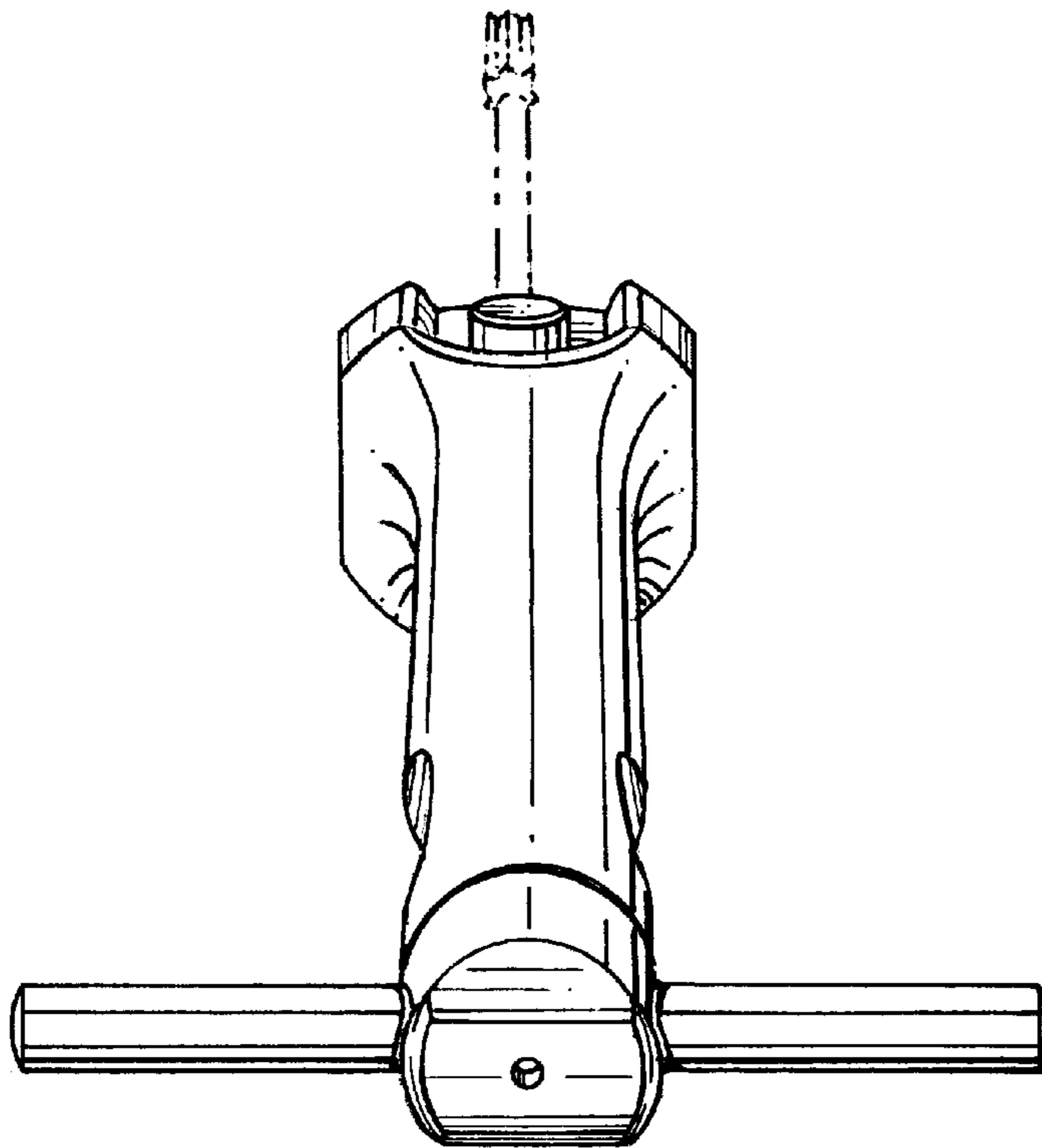


FIG. 2

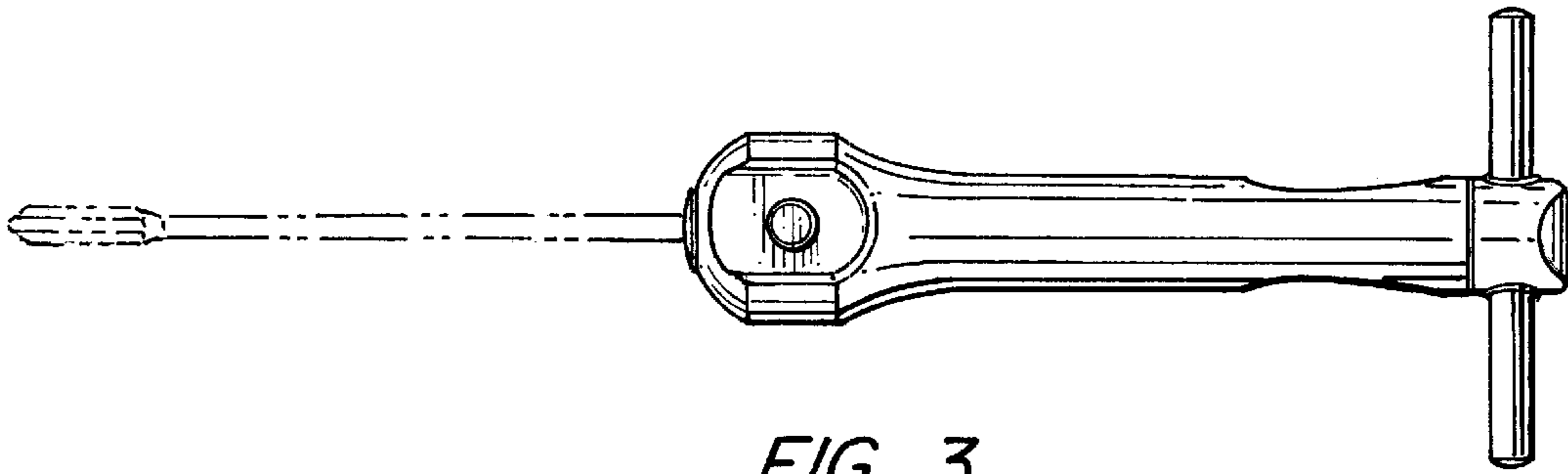


FIG. 3

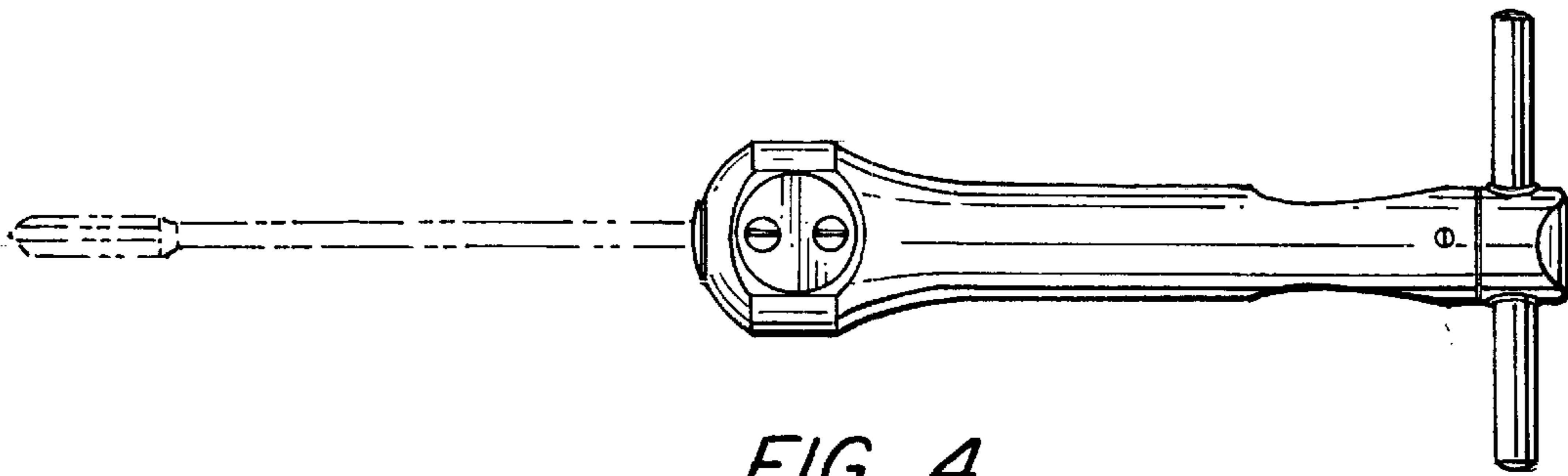


FIG. 4

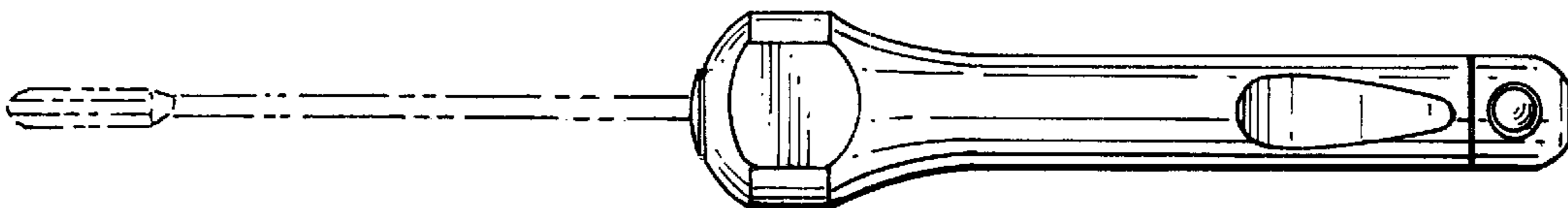


FIG. 5

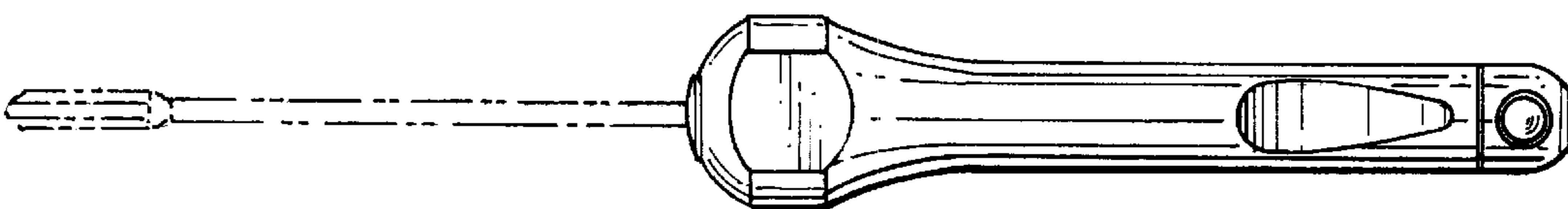


FIG. 6