



US00D458989S

(12) **United States Design Patent**
Müllenmeister

(10) **Patent No.:** **US D458,989 S**

(45) **Date of Patent:** **** Jun. 18, 2002**

(54) **FAUCET HANDLE LEVER ASSEMBLY**

D407,143 S * 3/1999 Hyde et al. D23/252
D447,542 S * 9/2001 Dretzka D23/252

(75) Inventor: **Daniel Müllenmeister**, Havixbeck (DE)

* cited by examiner

(73) Assignee: **Friedrich Grohe AG & Co. KG**,
Hemer (DE)

Primary Examiner—Louis S. Zarfaz

Assistant Examiner—Gregory Andoll

(**) Term: **14 Years**

(74) *Attorney, Agent, or Firm*—Herbert Dubno

(21) Appl. No.: **29/145,552**

(57) **CLAIM**

(22) Filed: **Jul. 25, 2001**

The ornamental design for a faucet handle lever assembly, as shown and described.

(30) **Foreign Application Priority Data**

DESCRIPTION

Feb. 28, 2001 (DE) 4 01 02 070

(51) **LOC (7) Cl.** **23-01**

FIG. 1 is a top, rear, left-side perspective view of a faucet handle lever assembly showing my new design;

(52) **U.S. Cl.** **D23/254; D23/252; D23/250**

FIG. 2 is a front elevational view thereof;

(58) **Field of Search** **D23/238-257;**

FIG. 3 is a rear elevational view thereof;

D8/300-308, 350-354; 4/675-678; 137/801;

FIG. 4 is a top plan view thereof;

16/110 R-121

FIG. 5 is a left side elevational view thereof, the right side elevational view being mirror symmetrical thereto; and,

FIG. 6 is a bottom plan view thereof.

(56) **References Cited**

U.S. PATENT DOCUMENTS

1 Claim, 2 Drawing Sheets

D371,826 S * 7/1996 Robbins D23/252

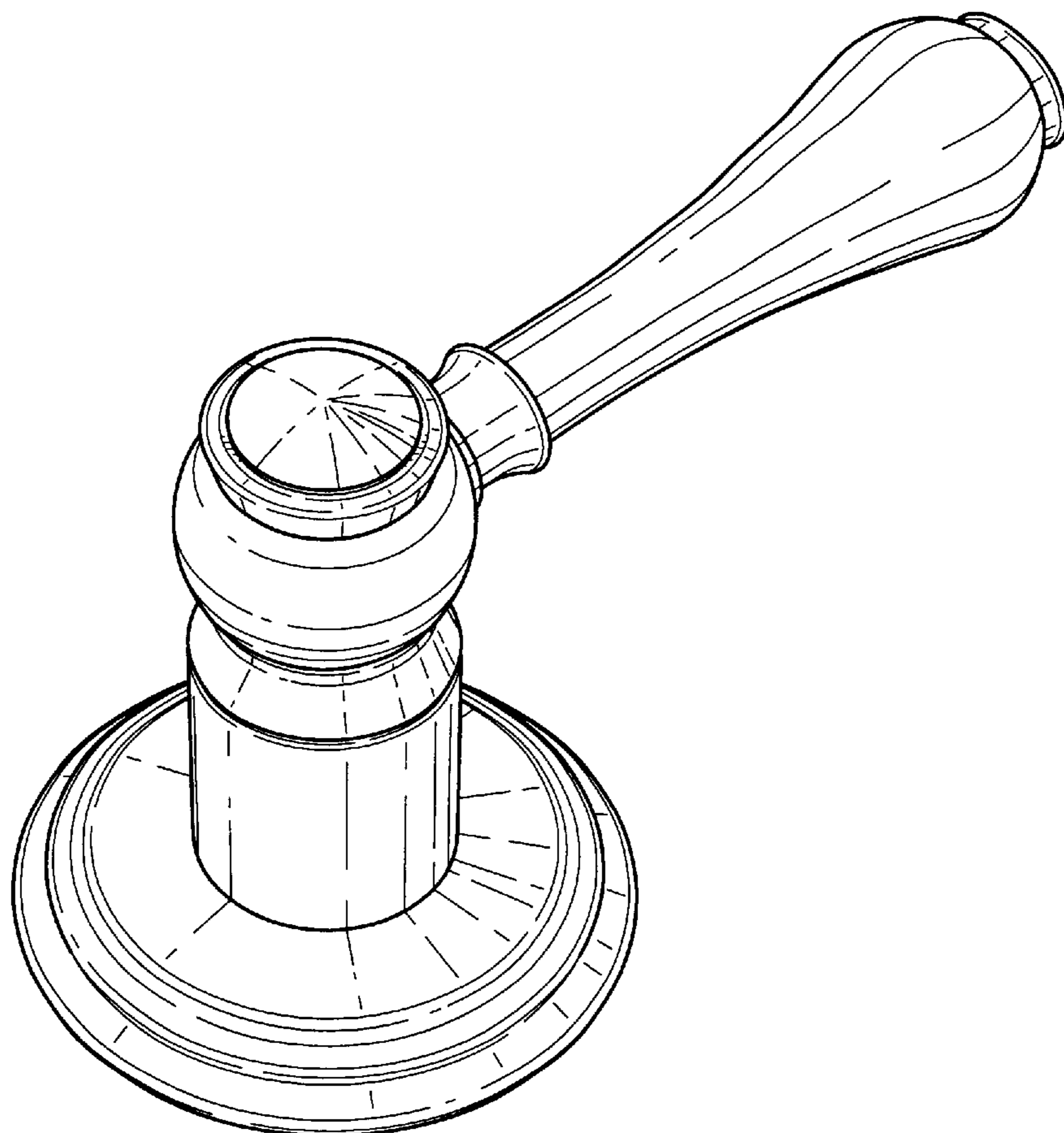


FIG. 1

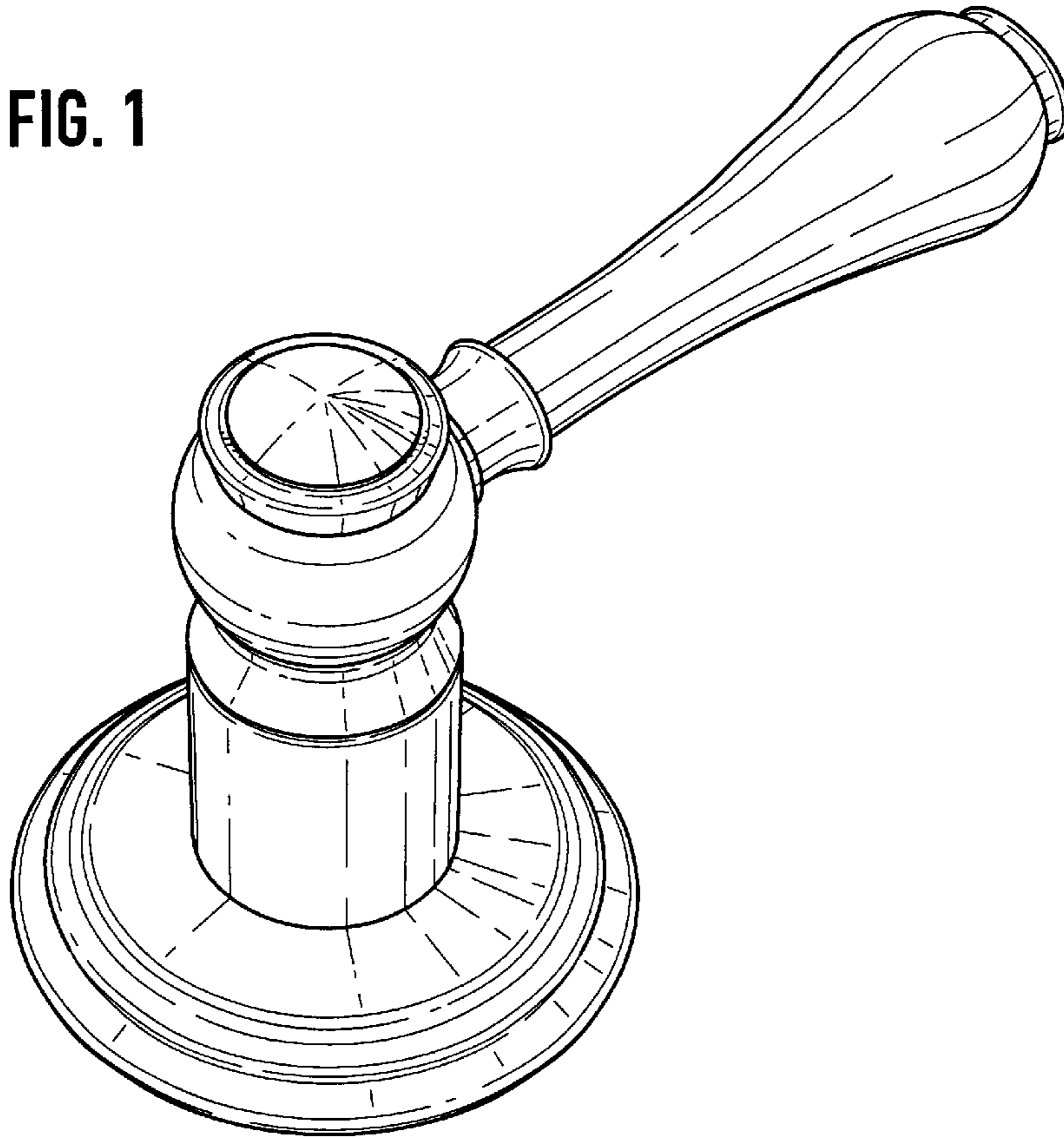


FIG. 2

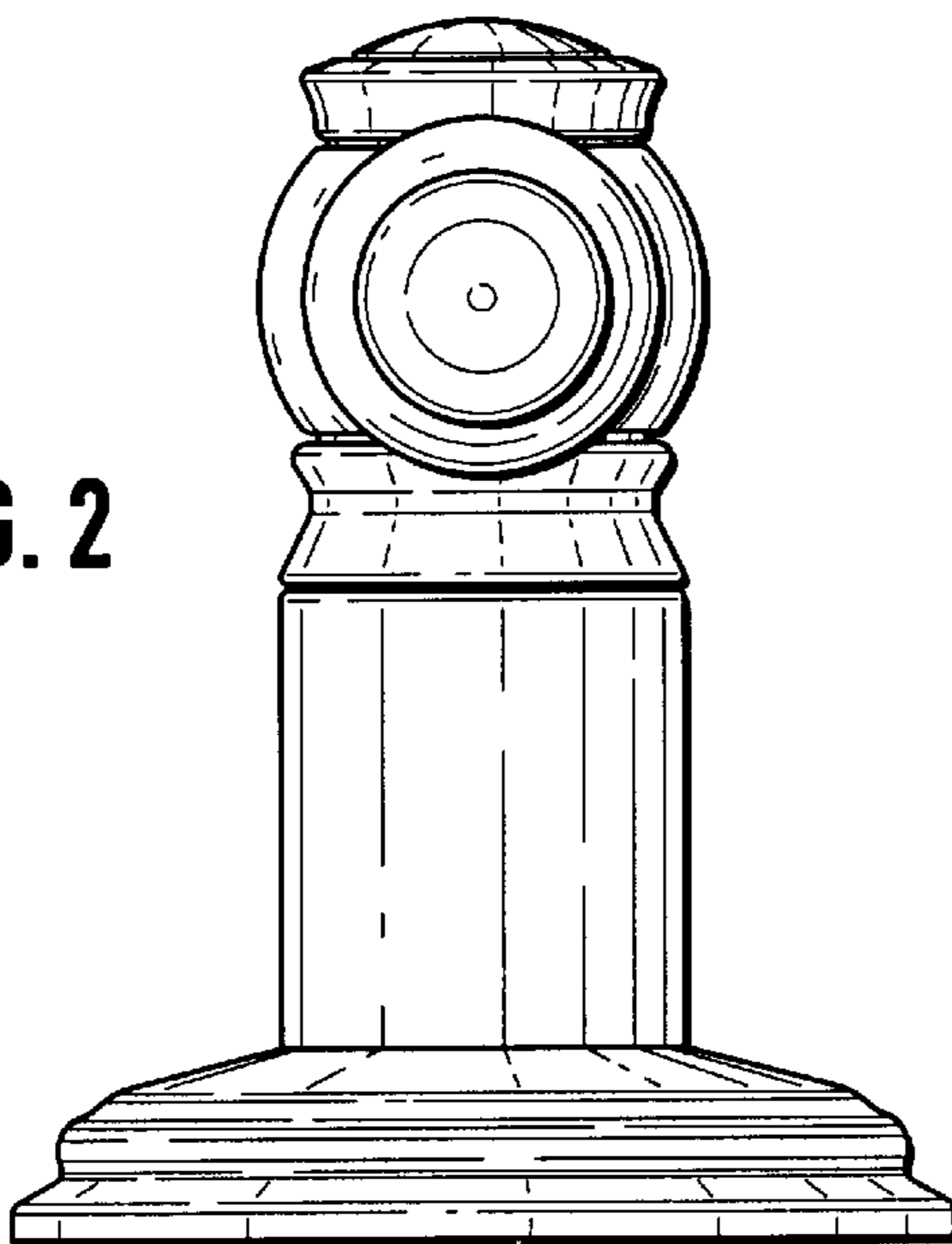
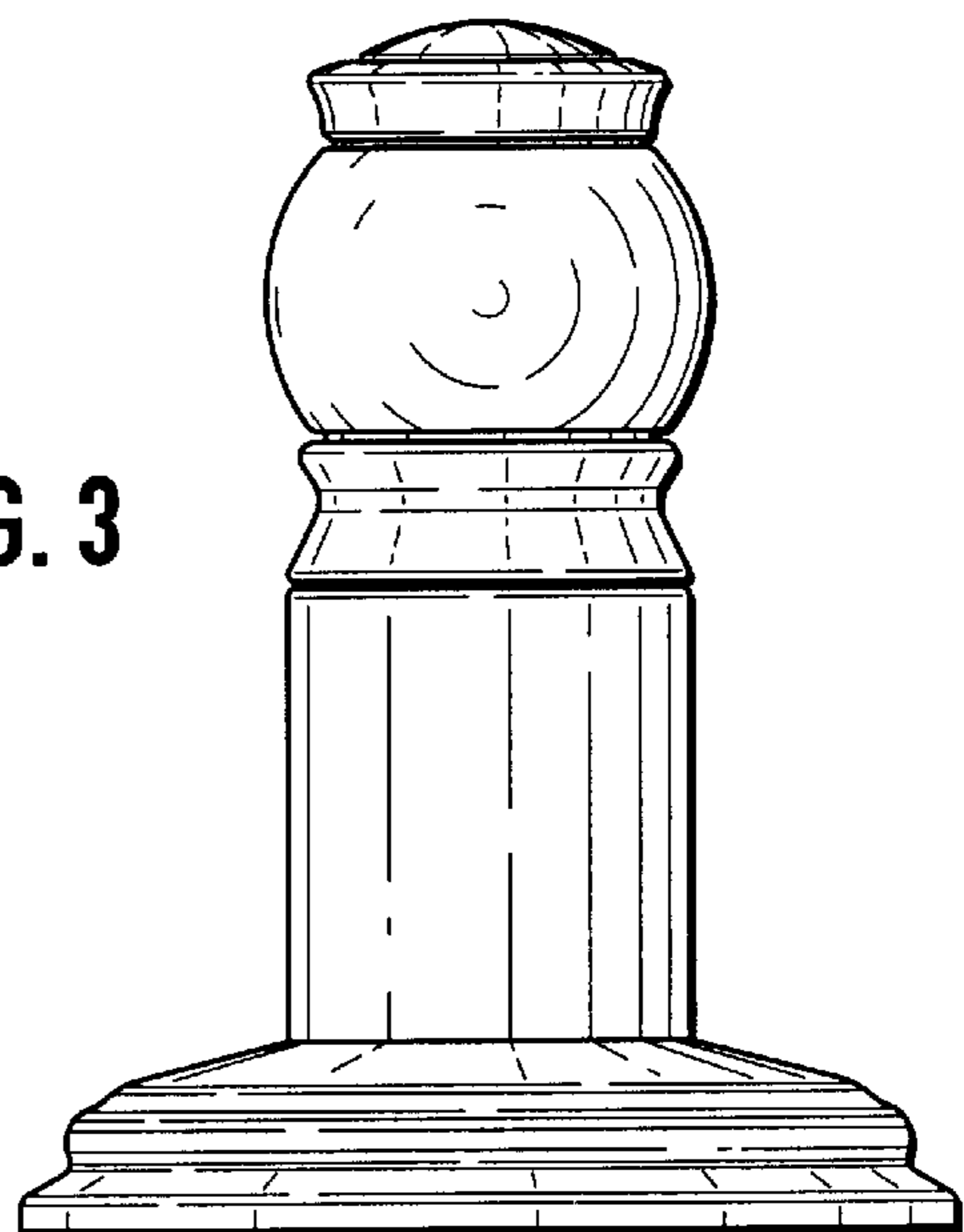


FIG. 3



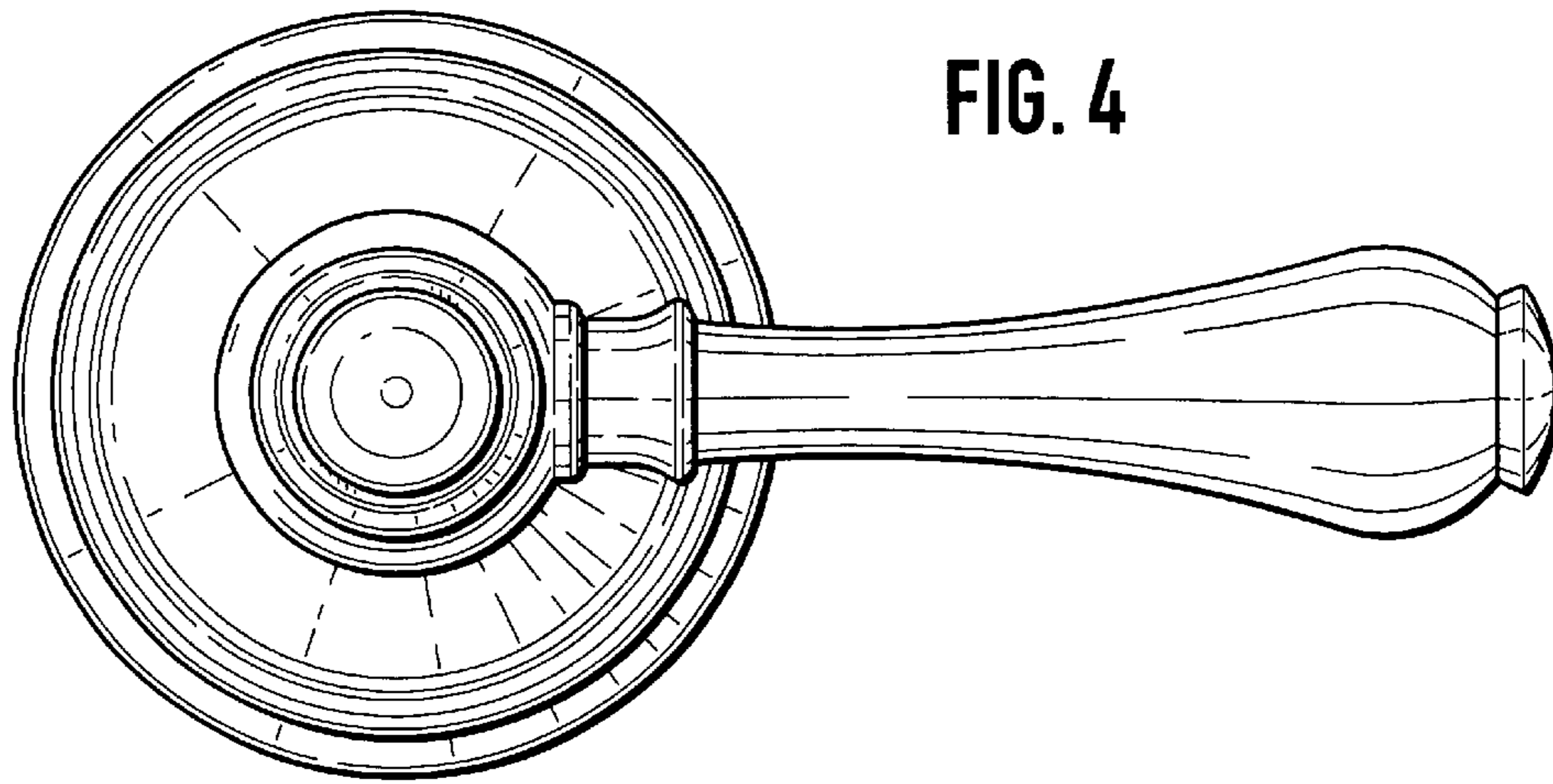


FIG. 4

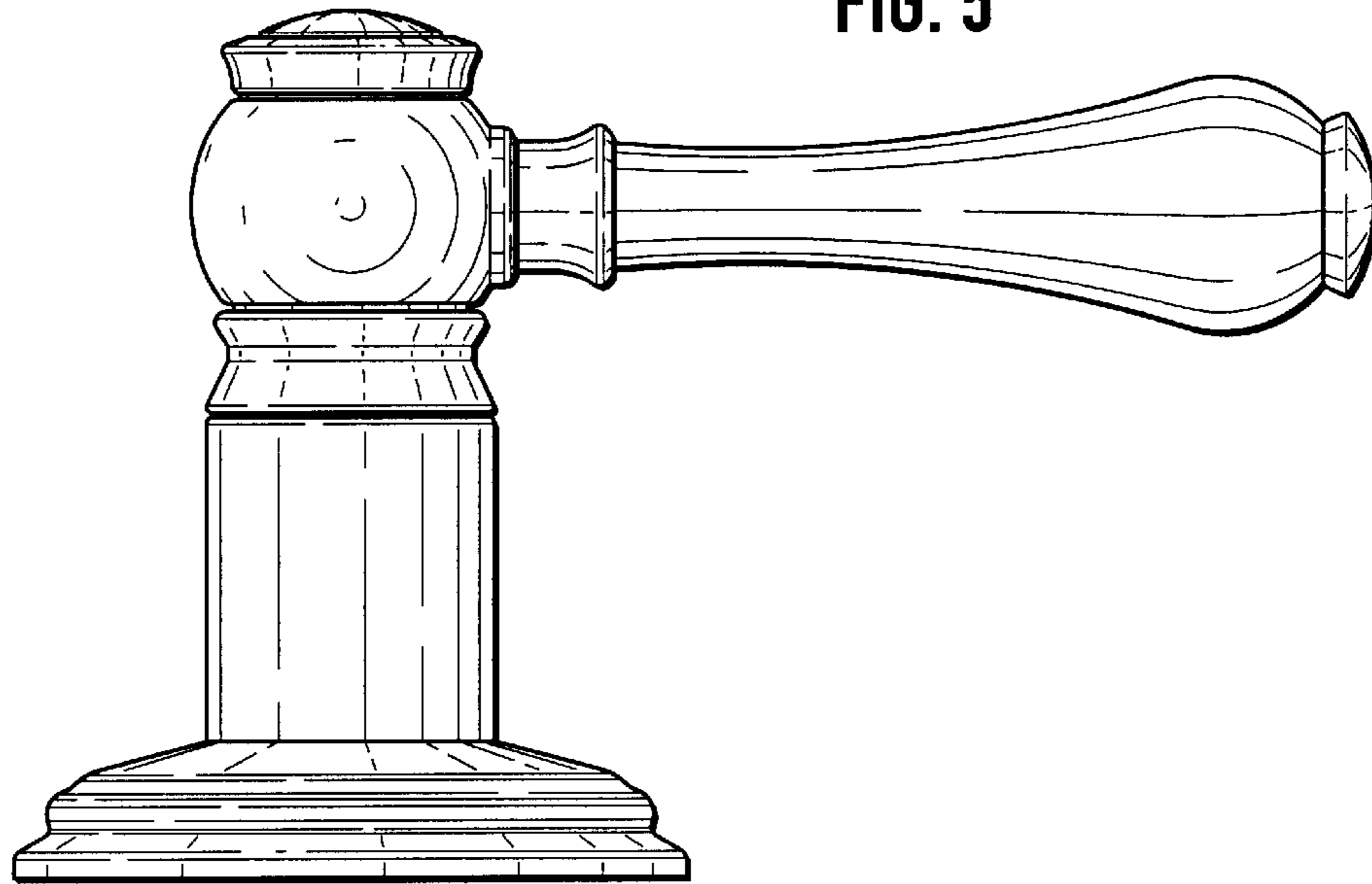


FIG. 5

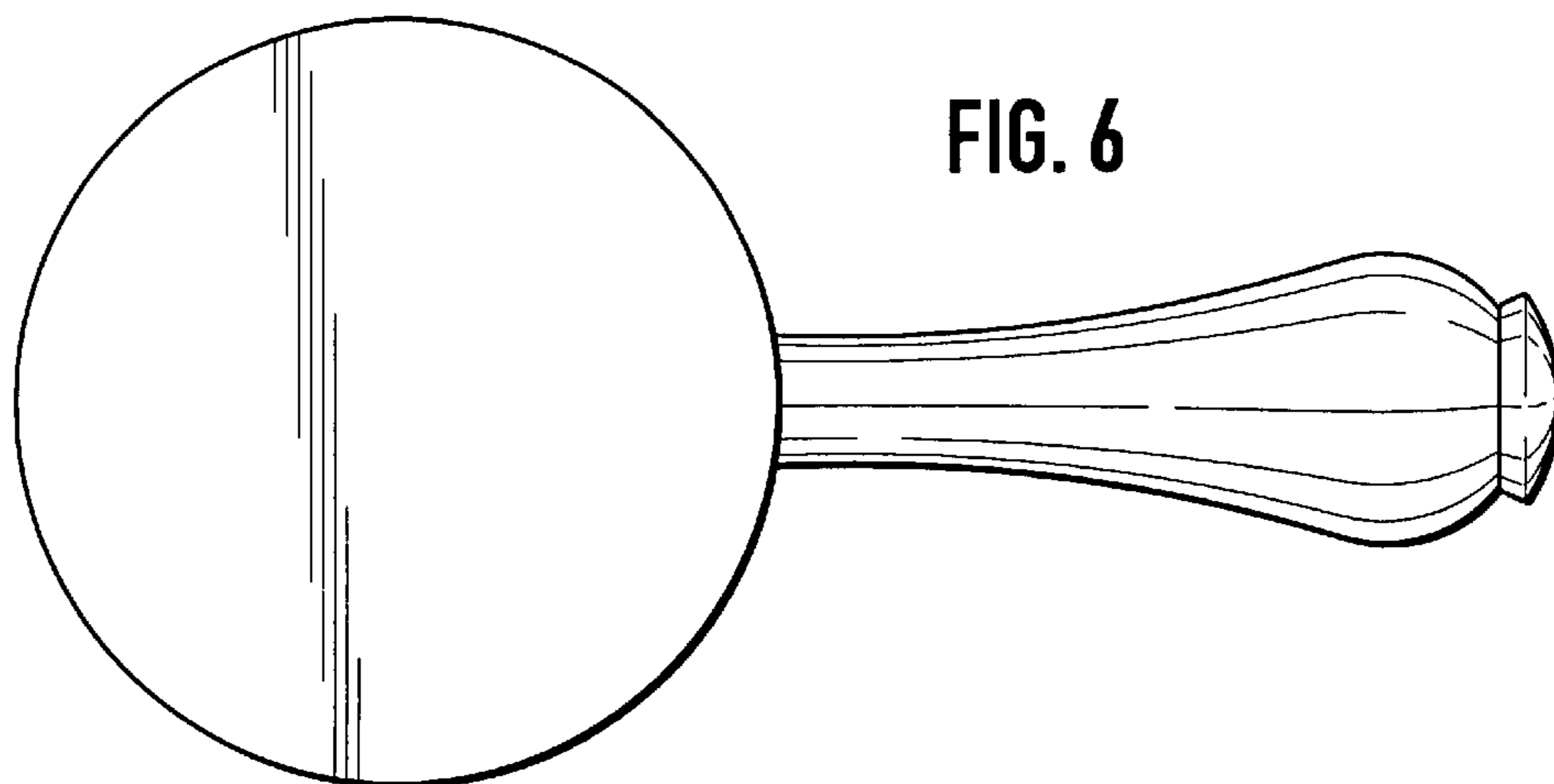


FIG. 6