



US00D458988S

(12) **United States Design Patent**
Schroder

(10) **Patent No.:** **US D458,988 S**

(45) **Date of Patent:** **** Jun. 18, 2002**

(54) **PLUMBING FAUCET WITH SHOWER TUBE**

(75) Inventor: **Rudiger Schroder**, Hemer (DE)

(73) Assignee: **Meloh Armaturen Ruppel & Meloh GmbH** (DE)

(**) Term: **14 Years**

(21) Appl. No.: **29/128,202**

(22) Filed: **Aug. 17, 2000**

(30) **Foreign Application Priority Data**

Feb. 18, 2000 (DE) 400 01 620

(51) **LOC (7) Cl.** **23-01**

(52) **U.S. Cl.** **D23/243; D23/238; D23/239**

(58) **Field of Search** **D23/238-243, D23/250-257, 223; 4/675-678; 137/801**

(56) **References Cited**

U.S. PATENT DOCUMENTS

D324,905 S	*	3/1992	Chretien	D23/238
D344,127 S	*	2/1994	Carr et al.	D23/238
D355,243 S	*	2/1995	Chen	D23/238
D414,546 S	*	9/1999	Cosolito et al.	D23/238
D427,287 S	*	6/2000	Wei et al.	D23/238
D433,338 S	*	6/2001	Chang et al.	D23/238

OTHER PUBLICATIONS

“Kitchen Mixer Taps”, Meloh Armaturen (date unknown).

* cited by examiner

Primary Examiner—Louis S. Zarfes
Assistant Examiner—Gregory Andoll

(74) *Attorney, Agent, or Firm*—Wells St. John P.S.

(57) **CLAIM**

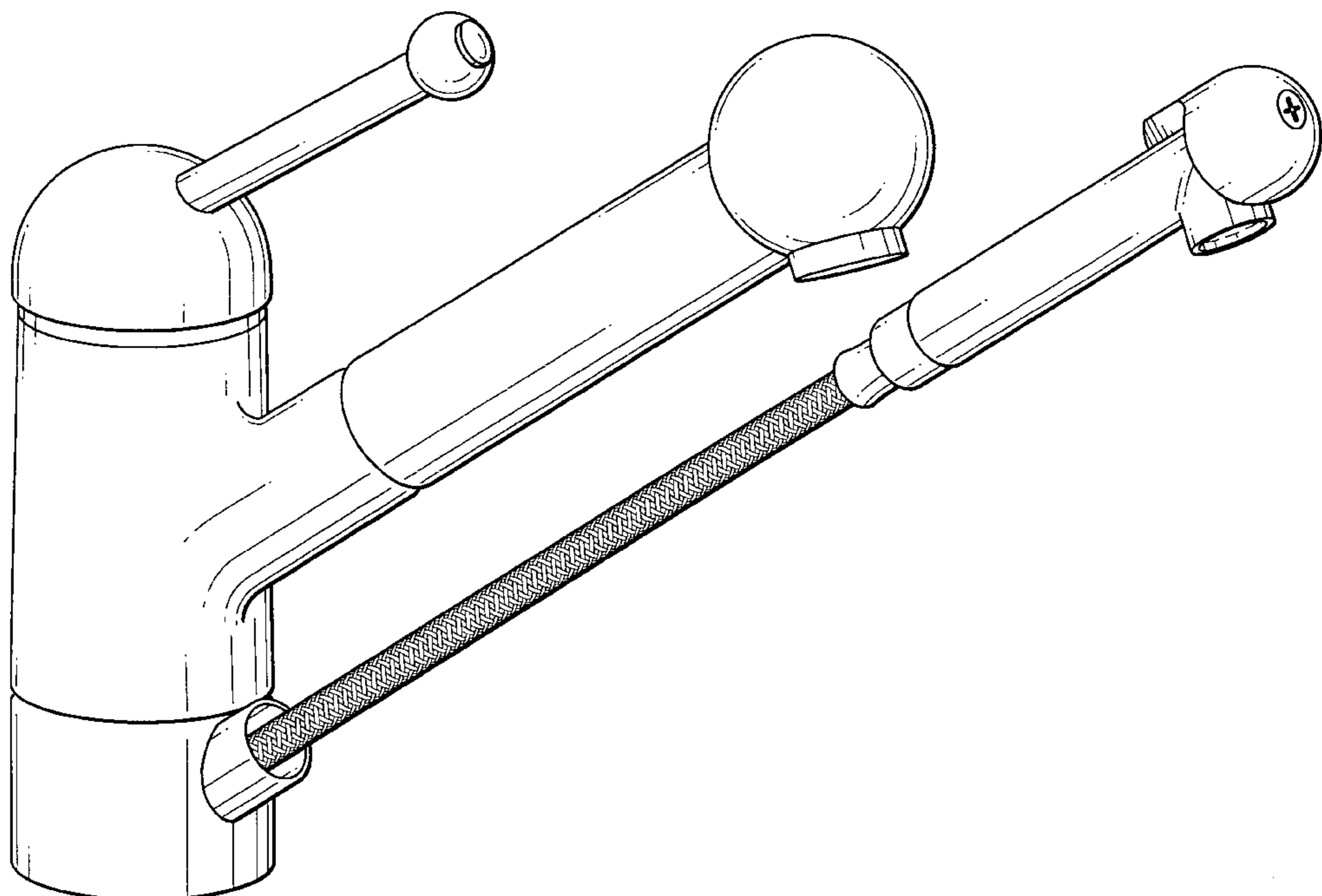
The ornamental design for plumbing faucet with shower tube, as shown and described.

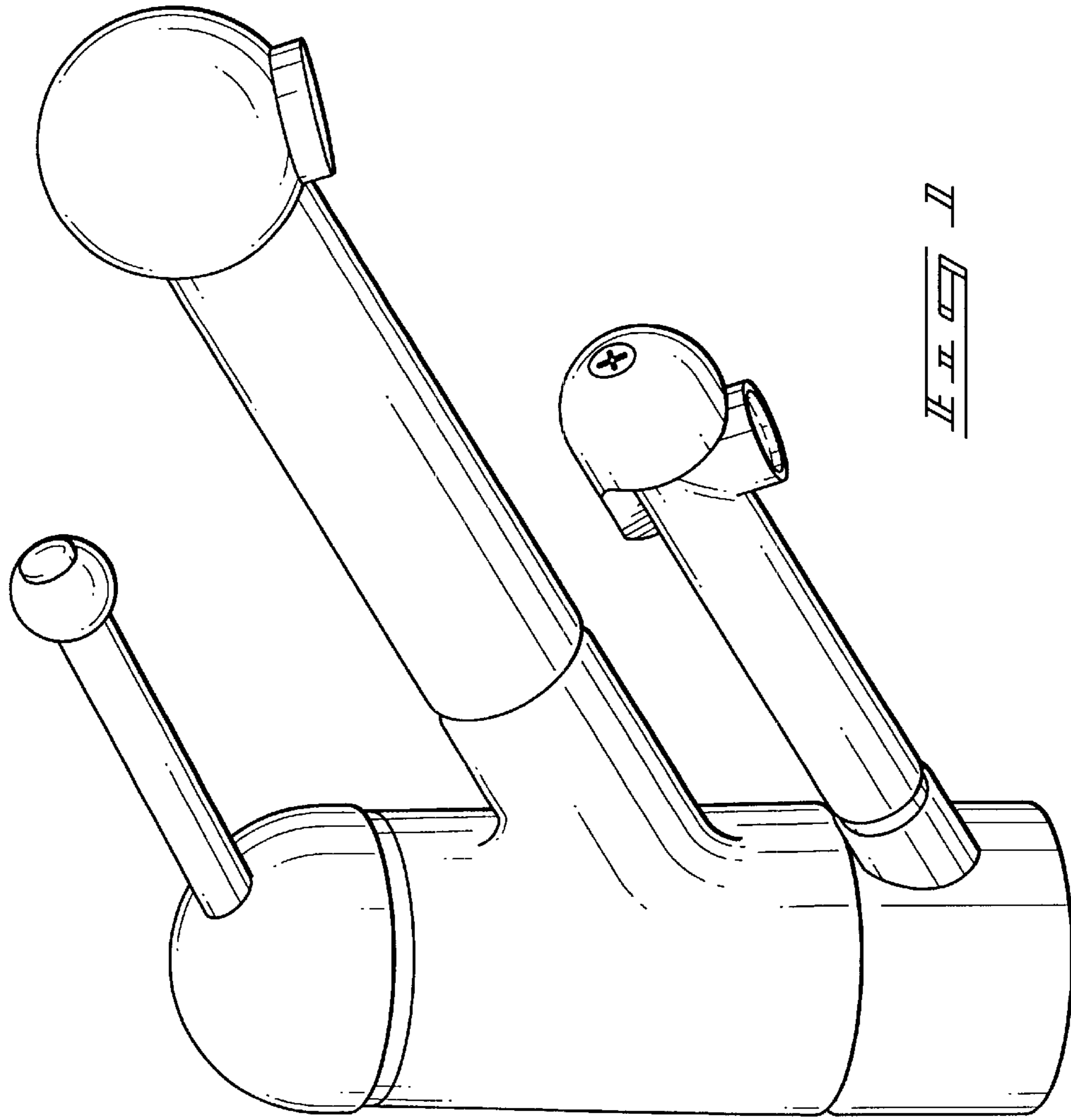
DESCRIPTION

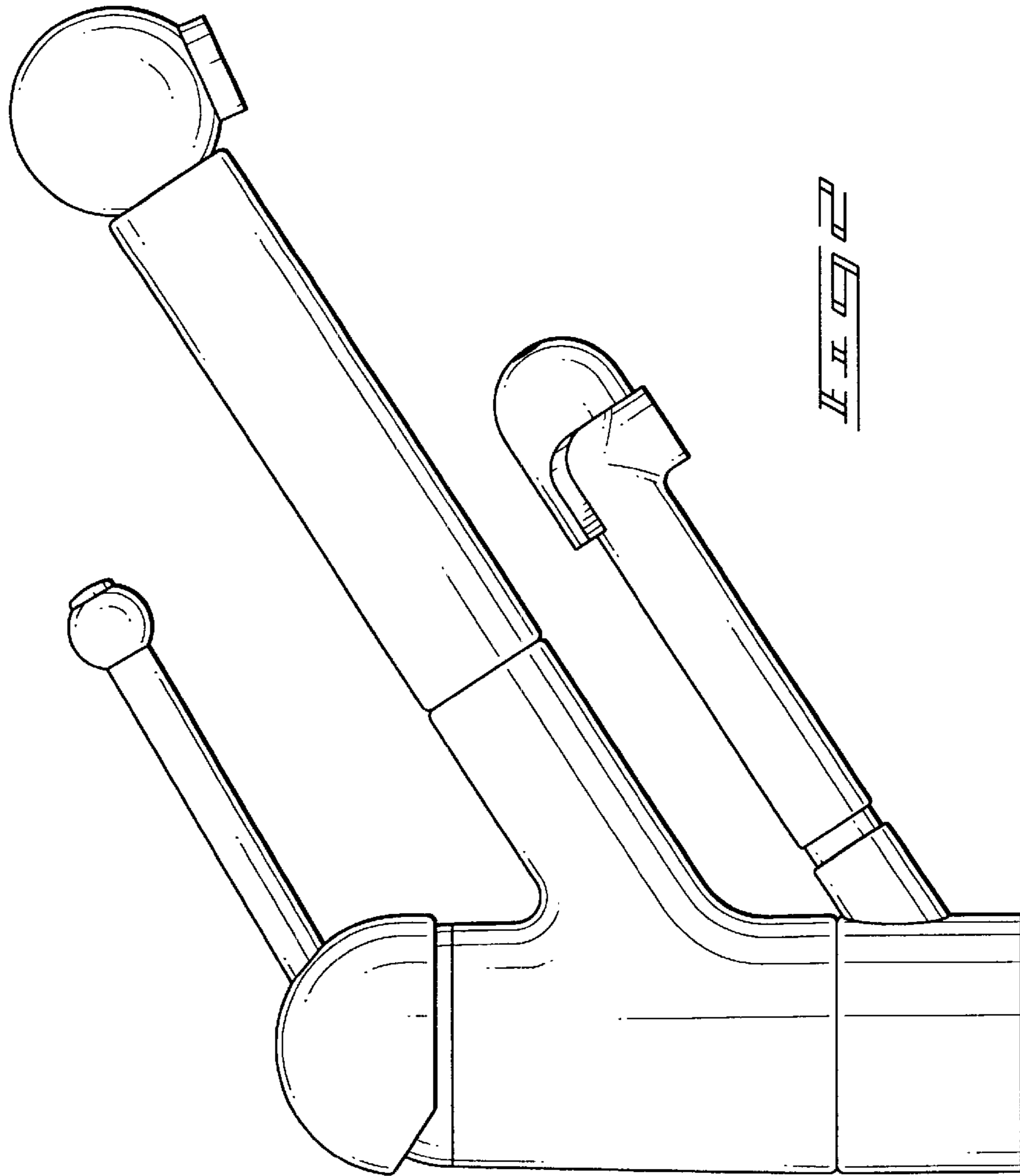
FIG. 1 is a perspective view of a plumbing faucet with shower tube according to the invention;
 FIG. 2 is a side view thereof, with the opposite side view being a mirror image of FIG. 2;
 FIG. 3 is a top view thereof;
 FIG. 4 is a bottom view thereof;
 FIG. 5 is a rear view thereof;
 FIG. 6 is a front view thereof;
 FIG. 7 is a second perspective view thereof, with the shower tube moved into an extended position;
 FIG. 8 is a second side view thereof, with the shower tube in the extended position; the opposite side view with the shower tube in the extended position being a mirror image of FIG. 8
 FIG. 9 is a top view thereof, with the shower tube in the extended position;
 FIG. 10 is a bottom view thereof, with the shower tube in the extended position;
 FIG. 11 is a rear view thereof, with the shower tube in the extended position; and,
 FIG. 12 is a front view thereof, with the shower tube in the extended position.

The broken lines in the Figures are for illustrative purposes only and form no part of the claimed design.

1 Claim, 8 Drawing Sheets







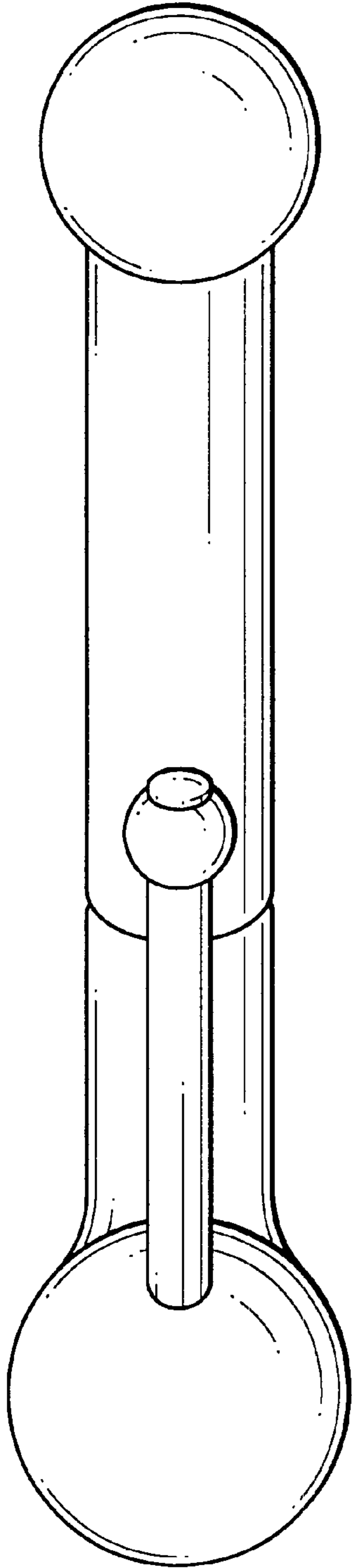


FIG. 3

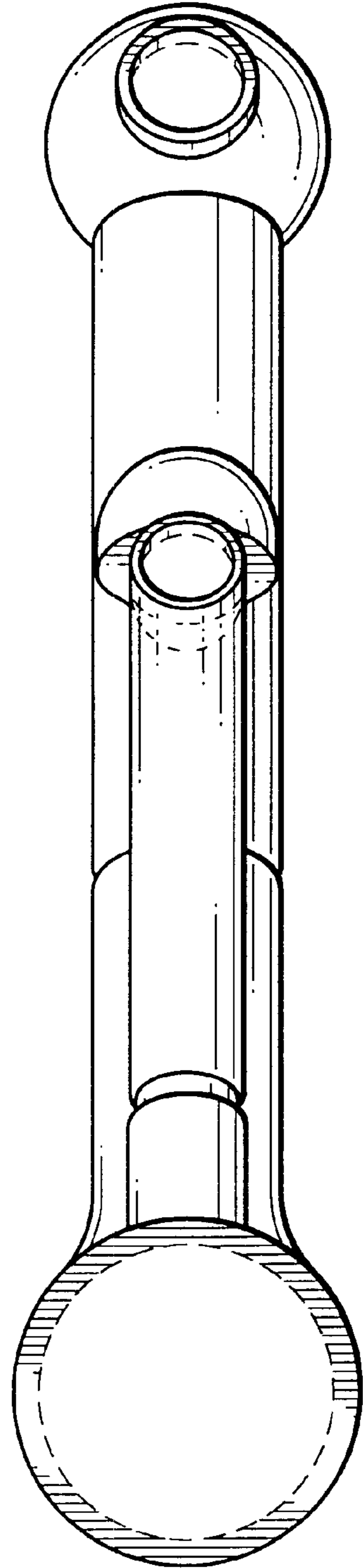


FIG. 4

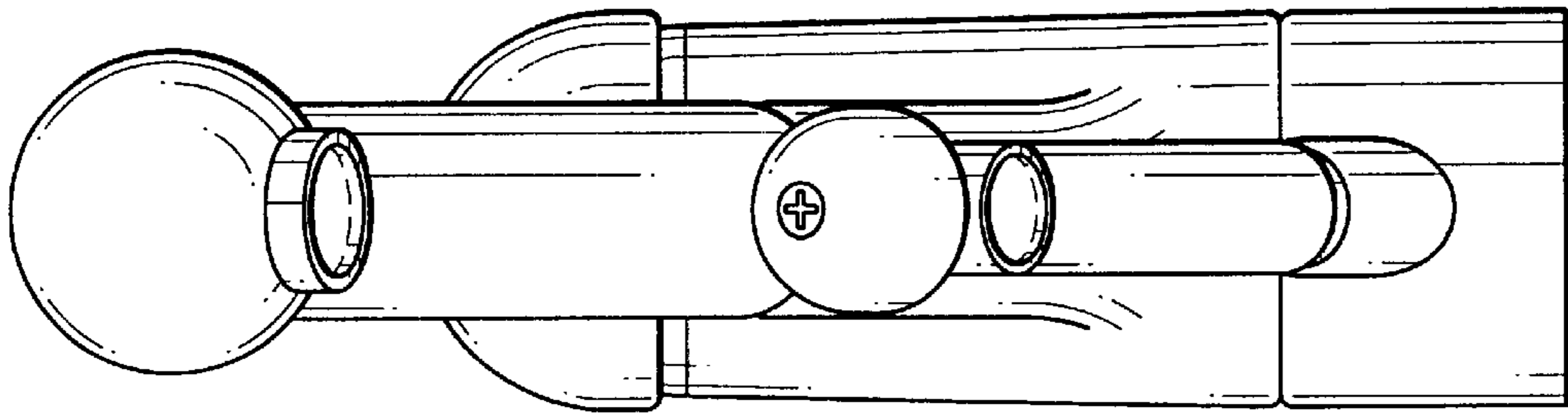


Fig. 4

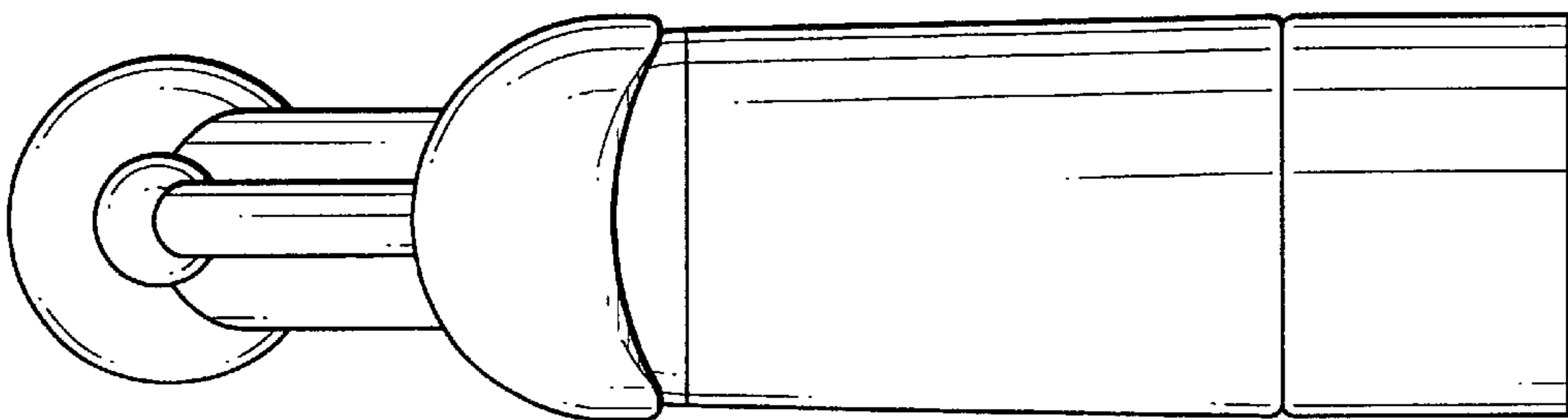


Fig. 5

