



US00D458987S

(12) **United States Design Patent**  
**Gottwald**

(10) **Patent No.:** **US D458,987 S**

(45) **Date of Patent:** **\*\* Jun. 18, 2002**

(54) **TUB AND SHOWER FAUCET**

(75) **Inventor:** **Adolf Gottwald, Iserlohn (DE)**

(73) **Assignee:** **Friedrich Grohe AG & Co. KG,**  
**Hemer (DE)**

(\*\*) **Term:** **14 Years**

(21) **Appl. No.:** **29/141,080**

(22) **Filed:** **Apr. 30, 2001**

(30) **Foreign Application Priority Data**

Nov. 24, 2000 (DE) ..... 400 11 047

(51) **LOC (7) Cl.** ..... **23-01**

(52) **U.S. Cl.** ..... **D23/242; D23/241; D23/243**

(58) **Field of Search** ..... **D23/238-243,**  
**D23/245, 249-257; 4/675-678; 16/110 R;**  
**137/801**

(56) **References Cited**

**U.S. PATENT DOCUMENTS**

D67,520 S \* 6/1925 Harper ..... D23/243  
D339,411 S \* 9/1993 Gottwald ..... D23/241  
D339,629 S \* 9/1993 Gottwald ..... D23/241

D353,651 S \* 12/1994 Formgren ..... D23/241  
D403,051 S \* 12/1998 Lobermeier ..... D23/241  
D416,311 S \* 11/1999 Fleischmann ..... D23/238  
D419,643 S \* 1/2000 Gottwald ..... D23/238  
D438,597 S \* 3/2001 Gottwald et al. .... D23/238  
D450,808 S \* 11/2001 Gottwald ..... D23/250

\* cited by examiner

*Primary Examiner*—Ian Simmons

*Assistant Examiner*—Gregory Andoll

(74) *Attorney, Agent, or Firm*—Herbert Dubno

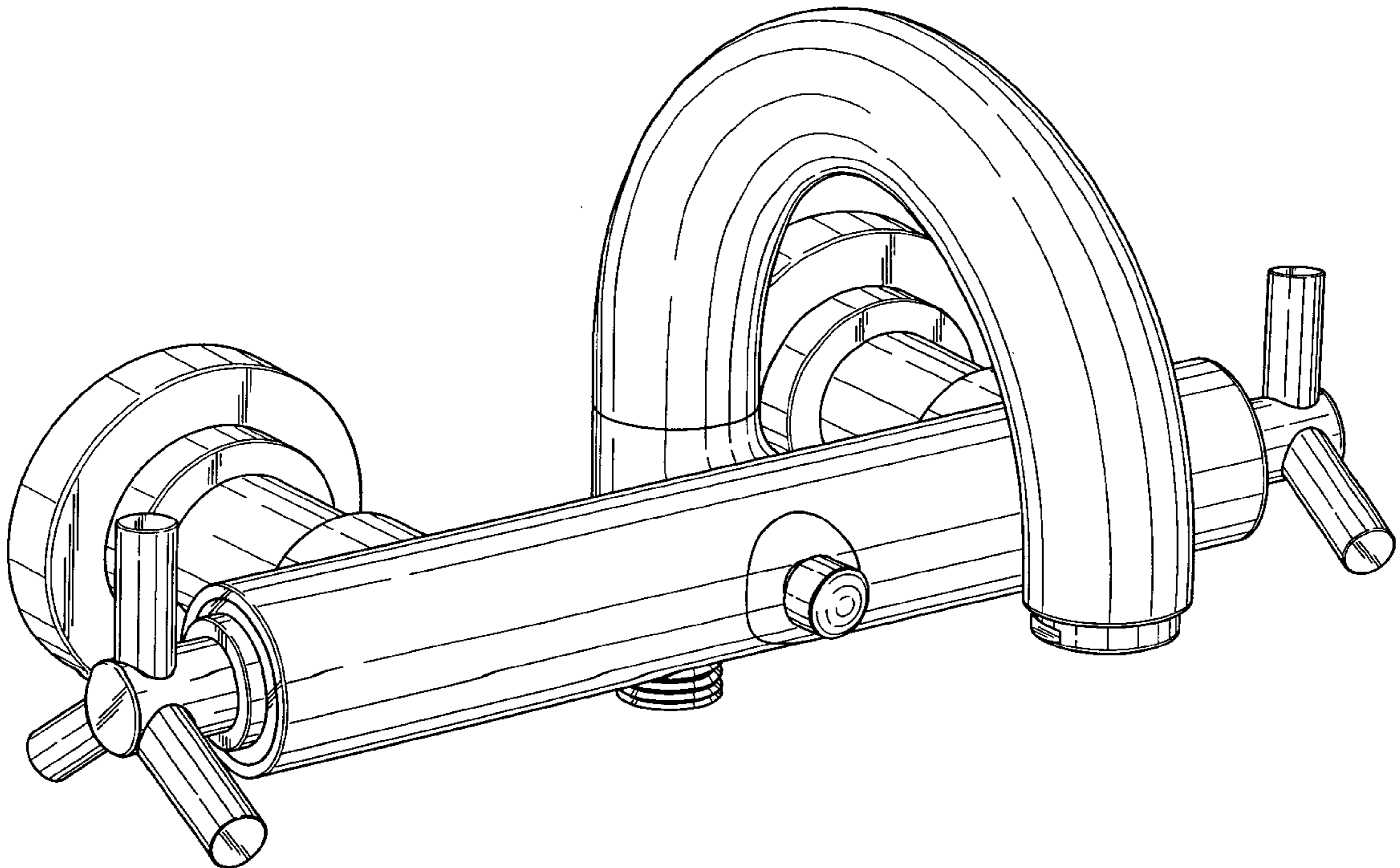
(57) **CLAIM**

The ornamental design for a tub and shower faucet, as shown and described.

**DESCRIPTION**

FIG. 1 is a top, front, left-side perspective view of a tub and shower faucet showing my new design; FIG. 2 is a front elevational view thereof; FIG. 3 is a left side elevational view thereof, the right side view being mirror symmetrical thereto; FIG. 4 is a rear elevational view thereof; FIG. 5 is a bottom plan view thereof; and, FIG. 6 is a top plan view thereof.

**1 Claim, 6 Drawing Sheets**



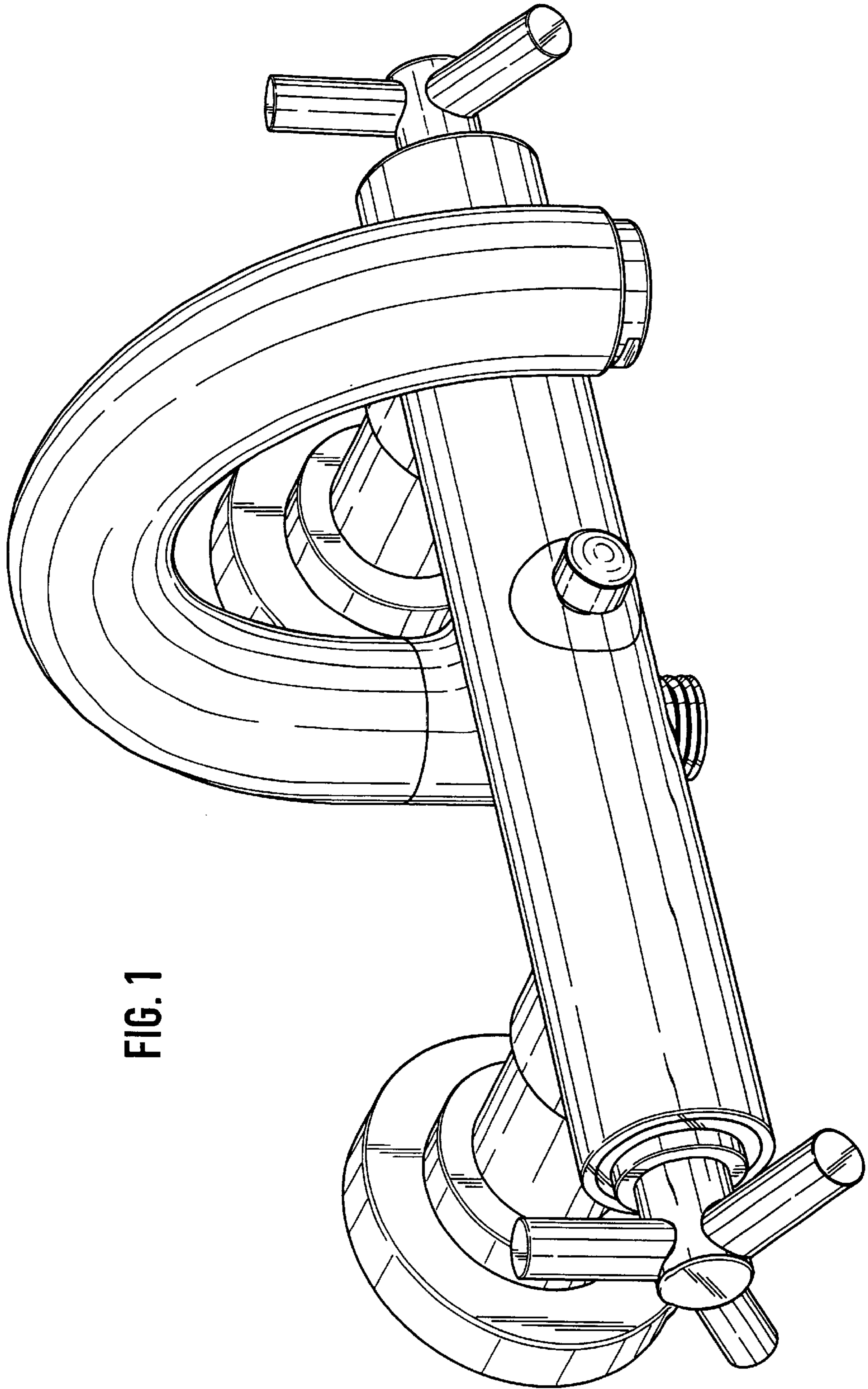


FIG. 1

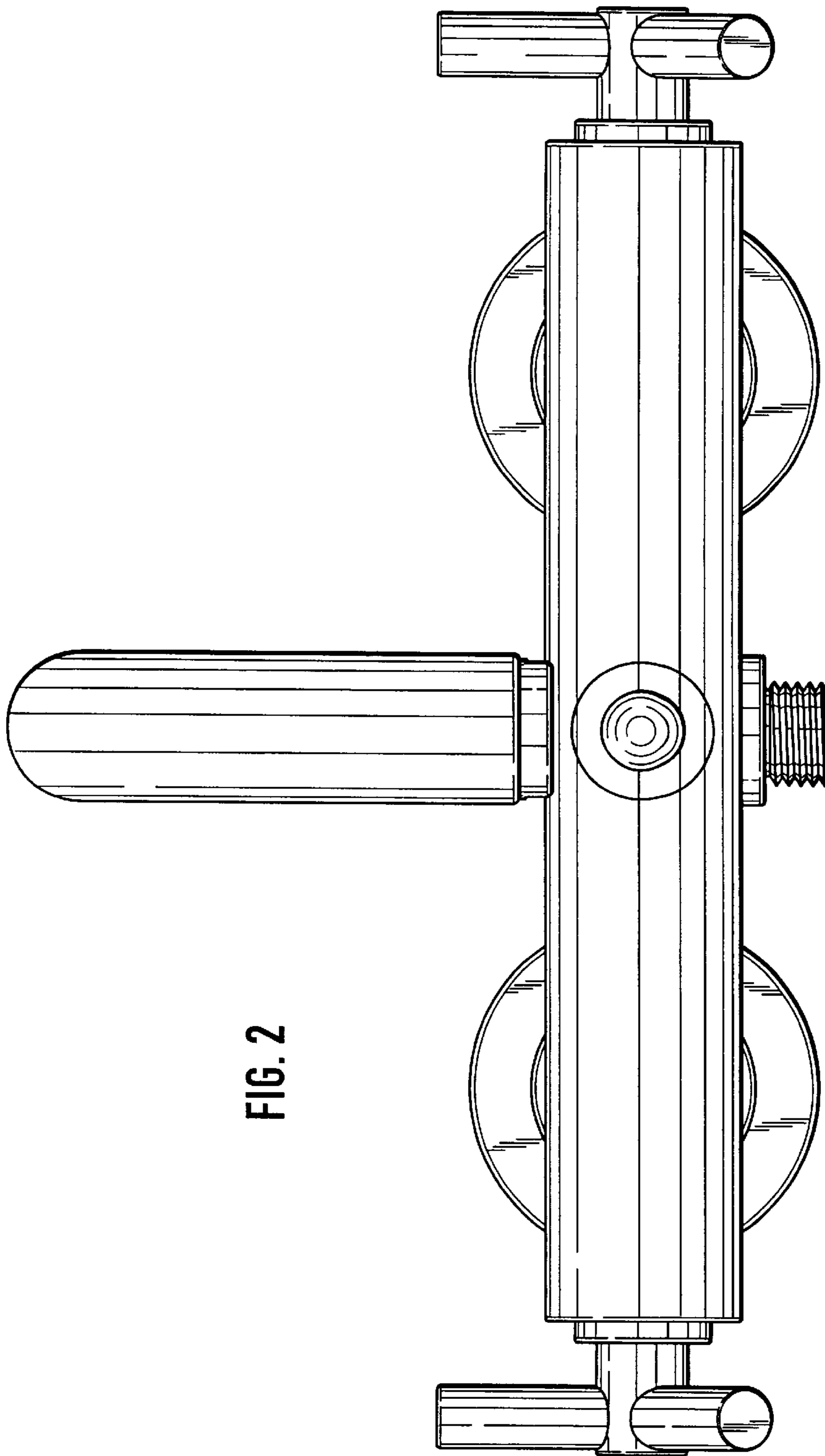


FIG. 2

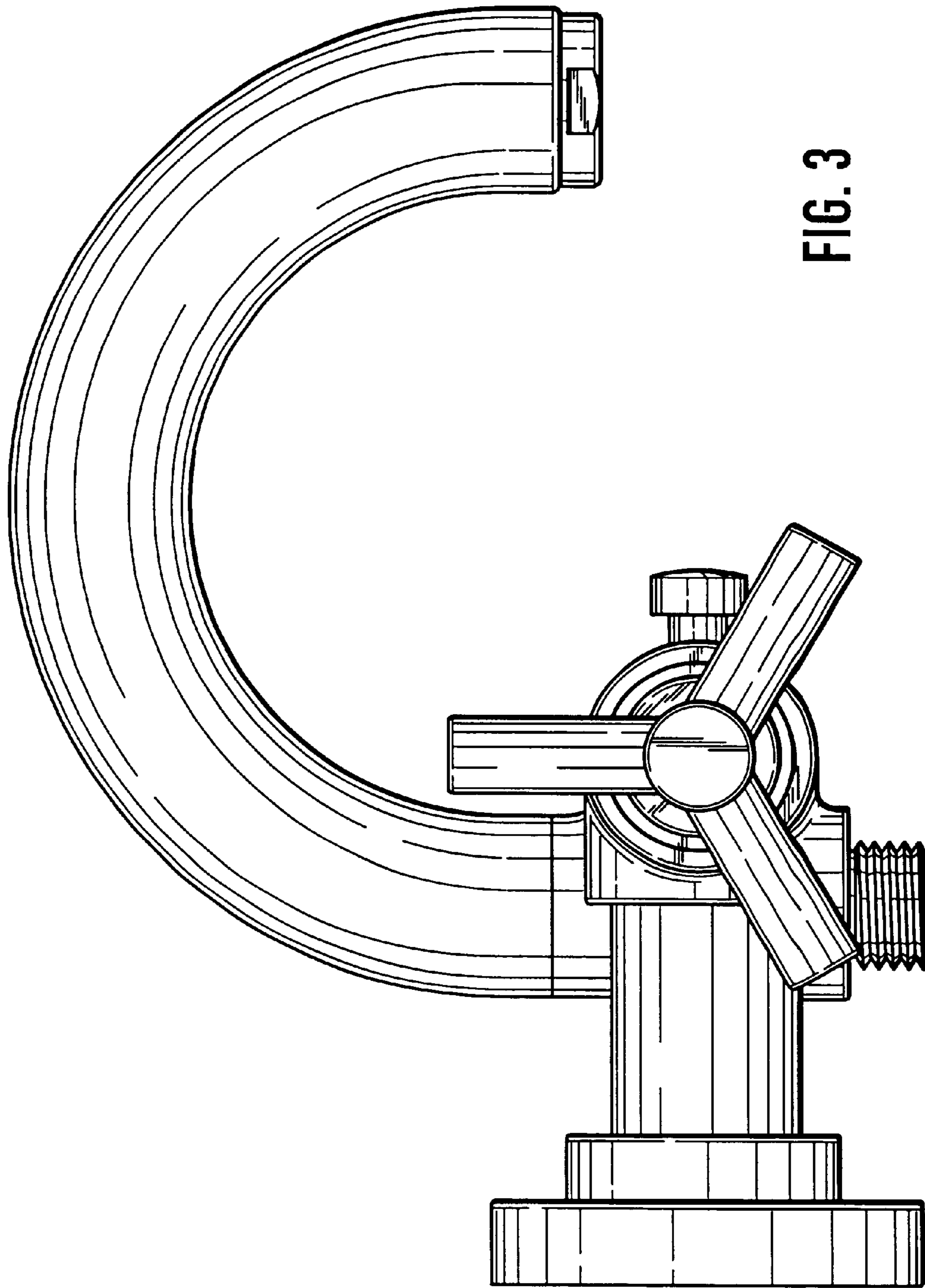


FIG. 3



FIG. 4

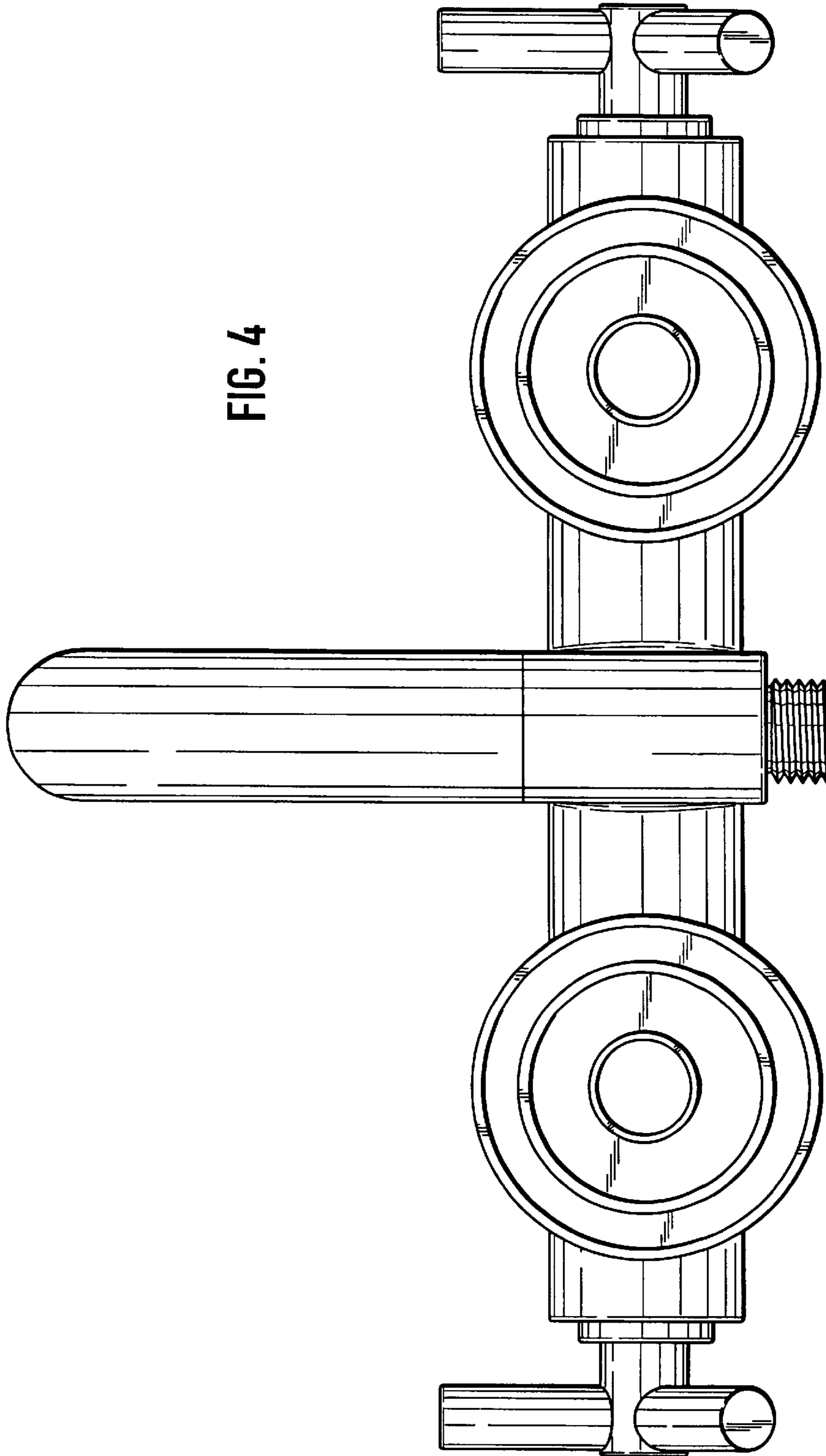
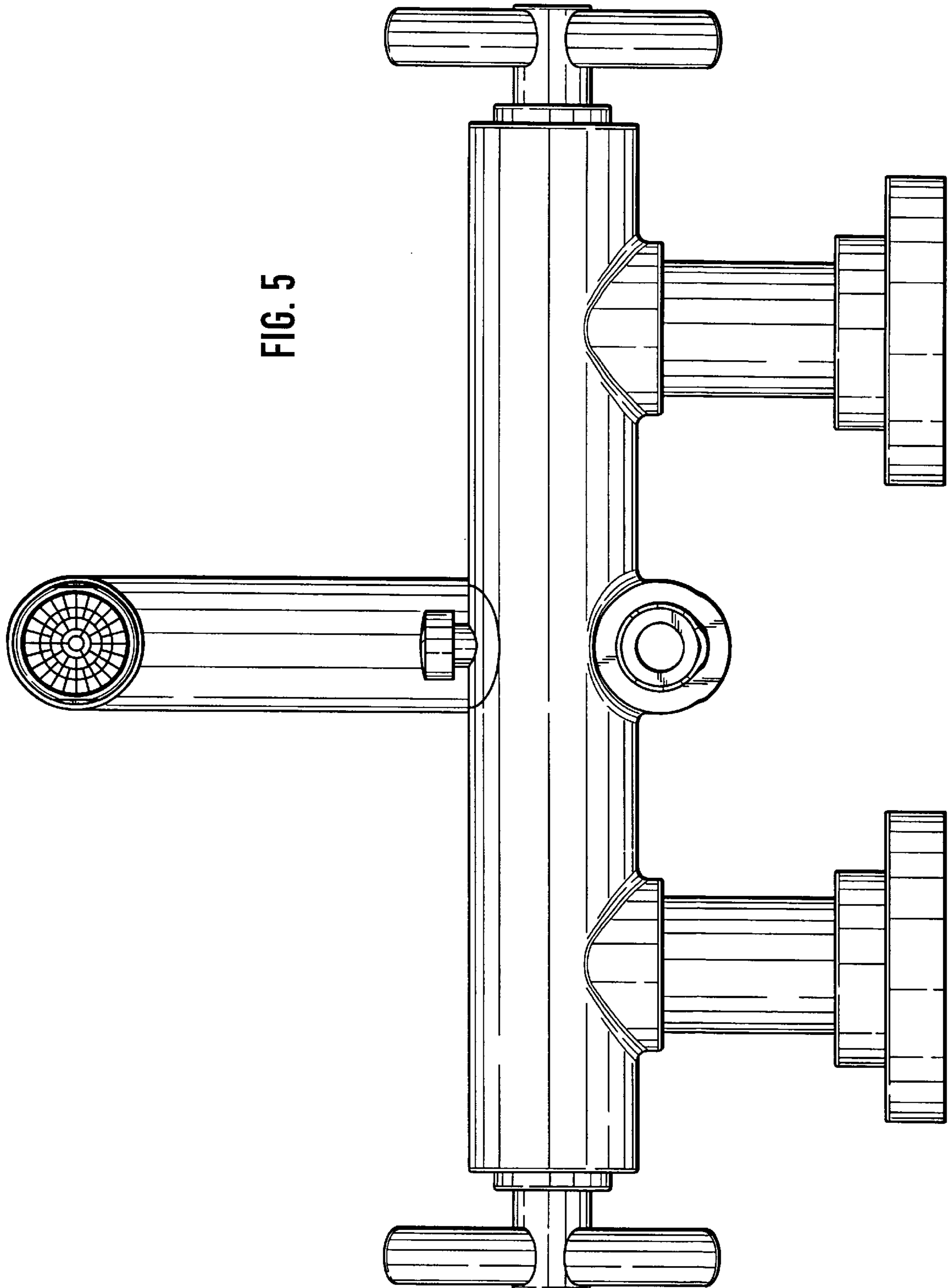


FIG. 5



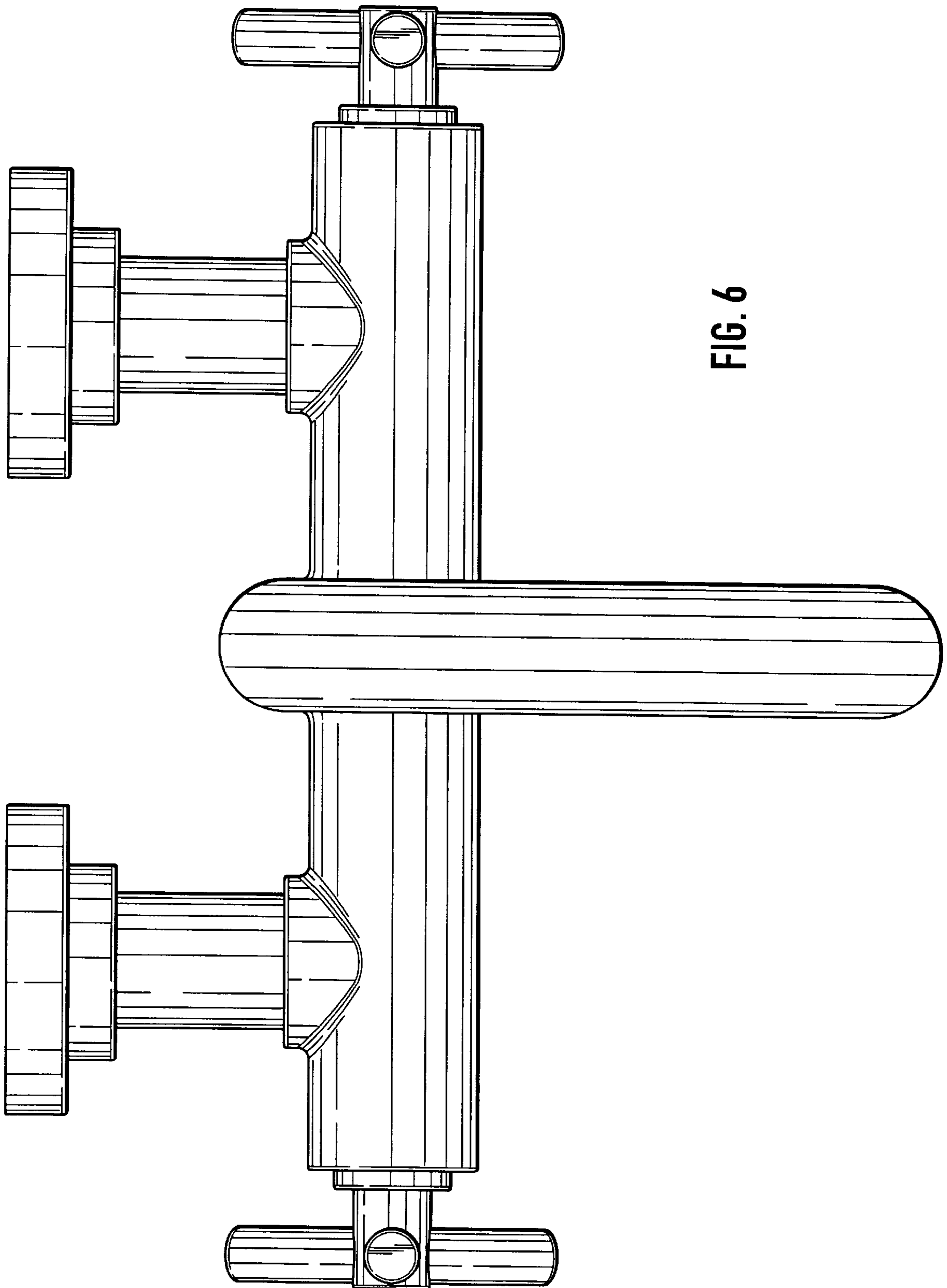


FIG. 6