



US00D458986S

(12) **United States Design Patent**
Doki

(10) **Patent No.:** **US D458,986 S**

(45) **Date of Patent:** **** Jun. 18, 2002**

(54) **VALVE POSITIONER**

(75) **Inventor:** **Yoshikuni Doki, Tokyo (JP)**

(73) **Assignee:** **Yamatake Corporation, Tokyo (JP)**

(**) **Term:** **14 Years**

(21) **Appl. No.:** **29/141,551**

(22) **Filed:** **May 9, 2001**

(30) **Foreign Application Priority Data**

Jan. 31, 2001 (JP) 2001-001987

(51) **LOC (7) Cl. 23-01**

(52) **U.S. Cl. D23/235**

(58) **Field of Search D23/239, 235,
D23/244-246; 137/85, 116.3, 505, 557**

(56) **References Cited**

U.S. PATENT DOCUMENTS

- D179,112 S * 11/1956 Becker D23/235
- 3,590,848 A * 7/1971 Svensson 137/116.3
- D288,469 S * 2/1987 Pryor D23/235

- D349,507 S * 8/1994 Lanna et al. D16/314
- D409,725 S * 5/1999 Ito et al. D23/235
- D412,966 S * 8/1999 Albea D23/233

* cited by examiner

Primary Examiner—Nelson C. Holtje

(74) *Attorney, Agent, or Firm*—Burns, Doane, Swecker & Mathis, LLP

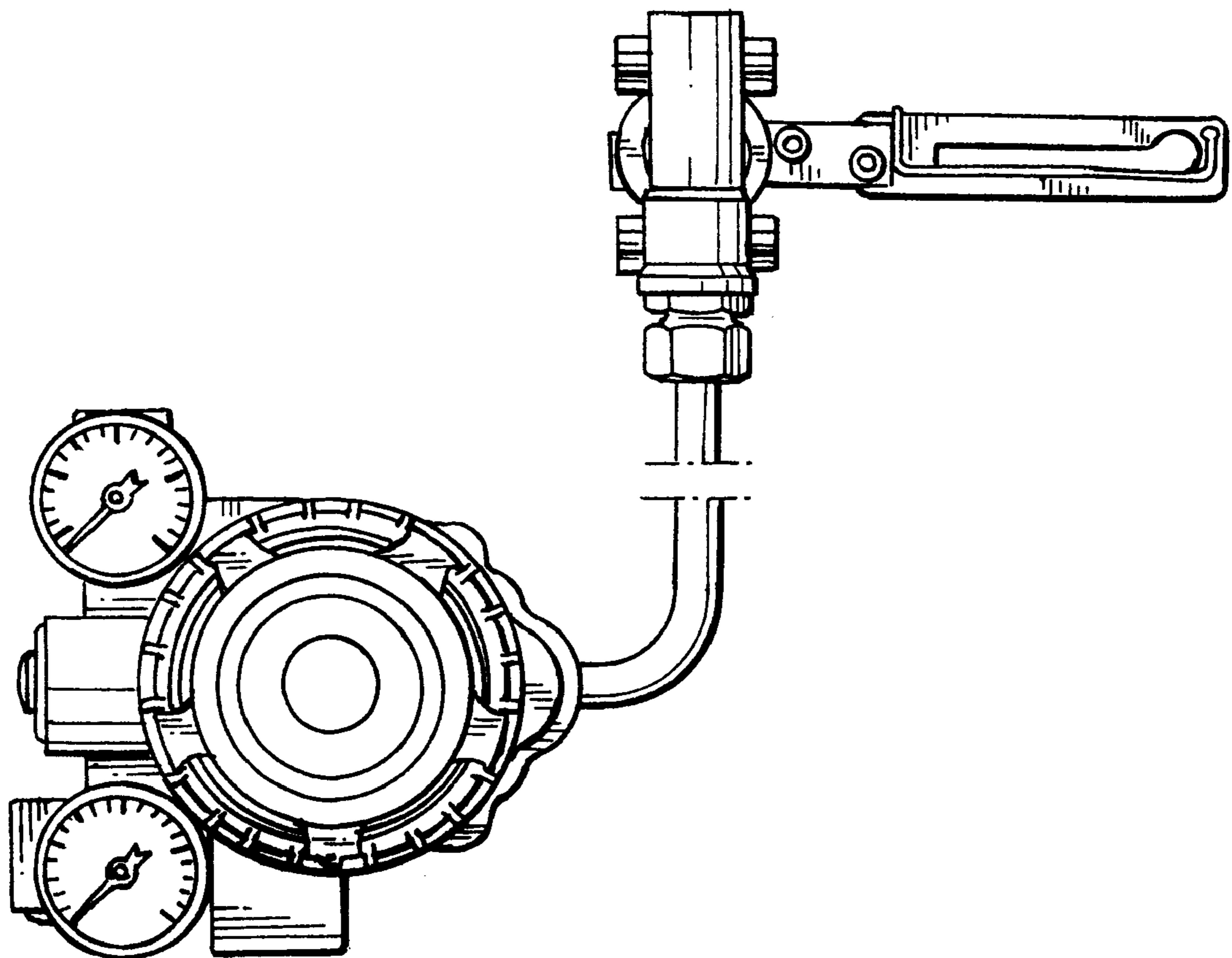
(57) **CLAIM**

The ornamental design for a valve positioner, as shown and described.

DESCRIPTION

FIG. 1 is a front elevational view of a valve positioner showing my new design;
 FIG. 2 is a rear elevational view thereof;
 FIG. 3 is a left side elevational view thereof;
 FIG. 4 is a right side elevational view thereof;
 FIG. 5 is a top plan view thereof; and,
 FIG. 6 is a bottom plan view thereof.
 The broken-lines of FIGS. 1-4 show the valve/handle portion broken away to indicate indeterminate length.

1 Claim, 3 Drawing Sheets



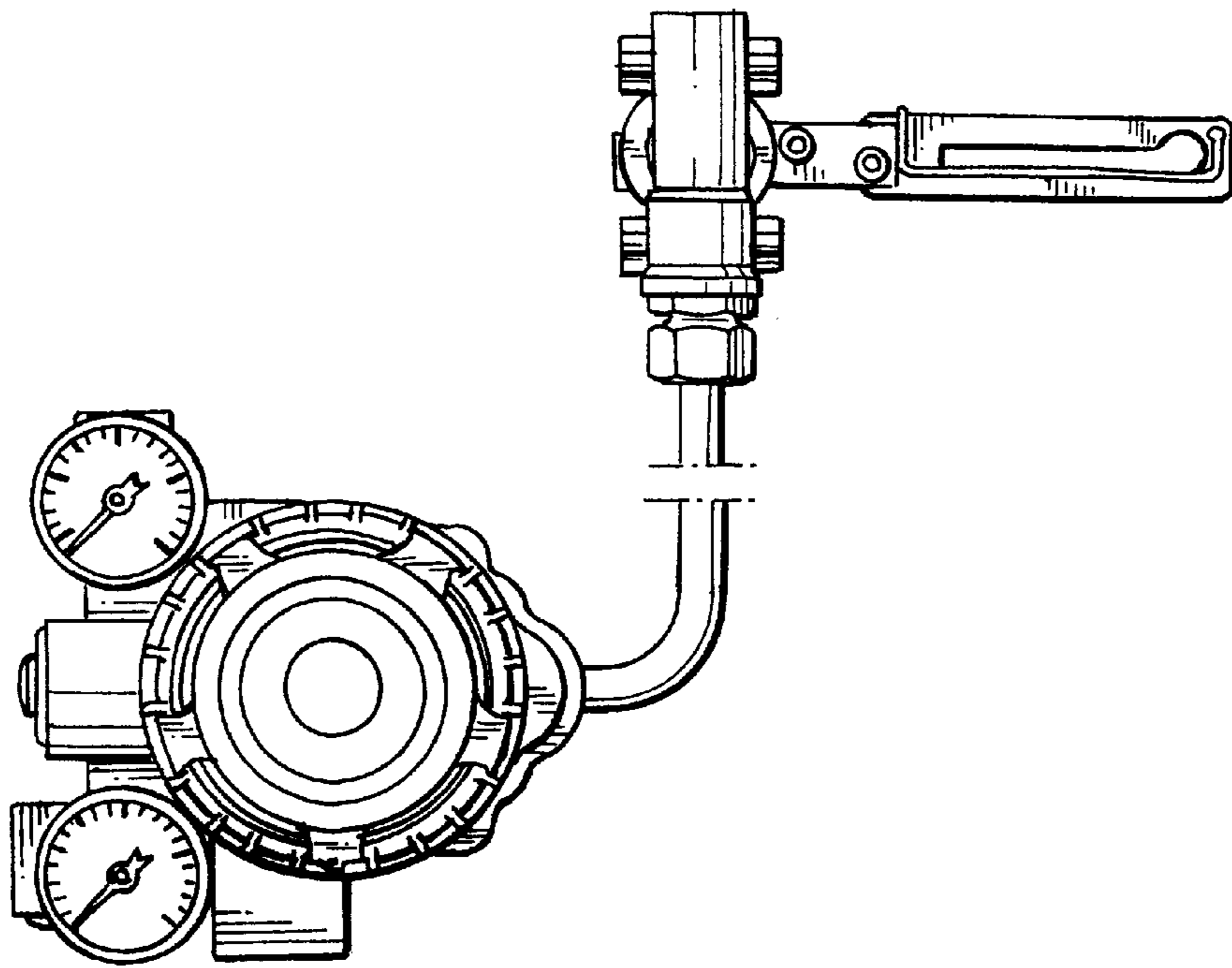


FIG. 1

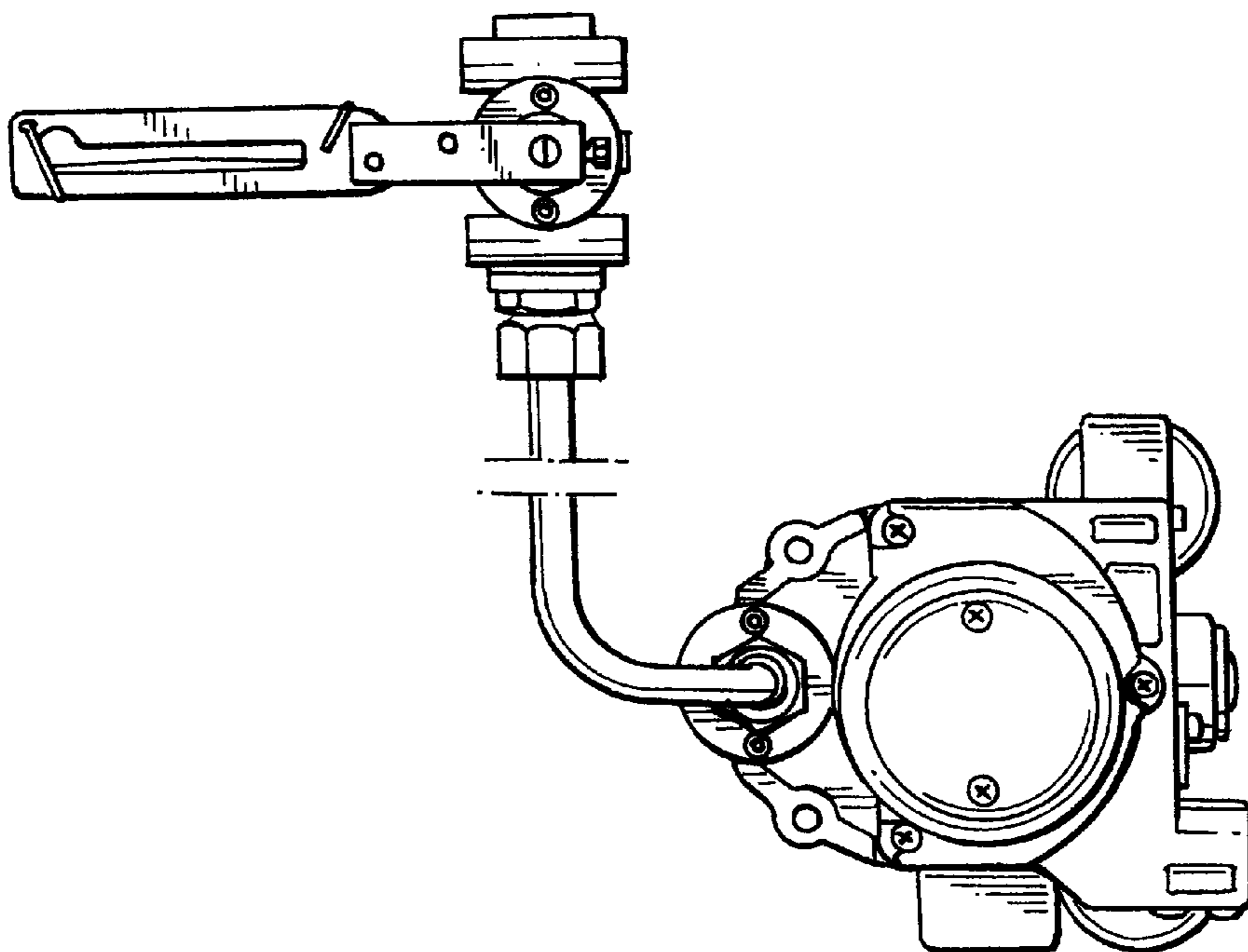


FIG. 2

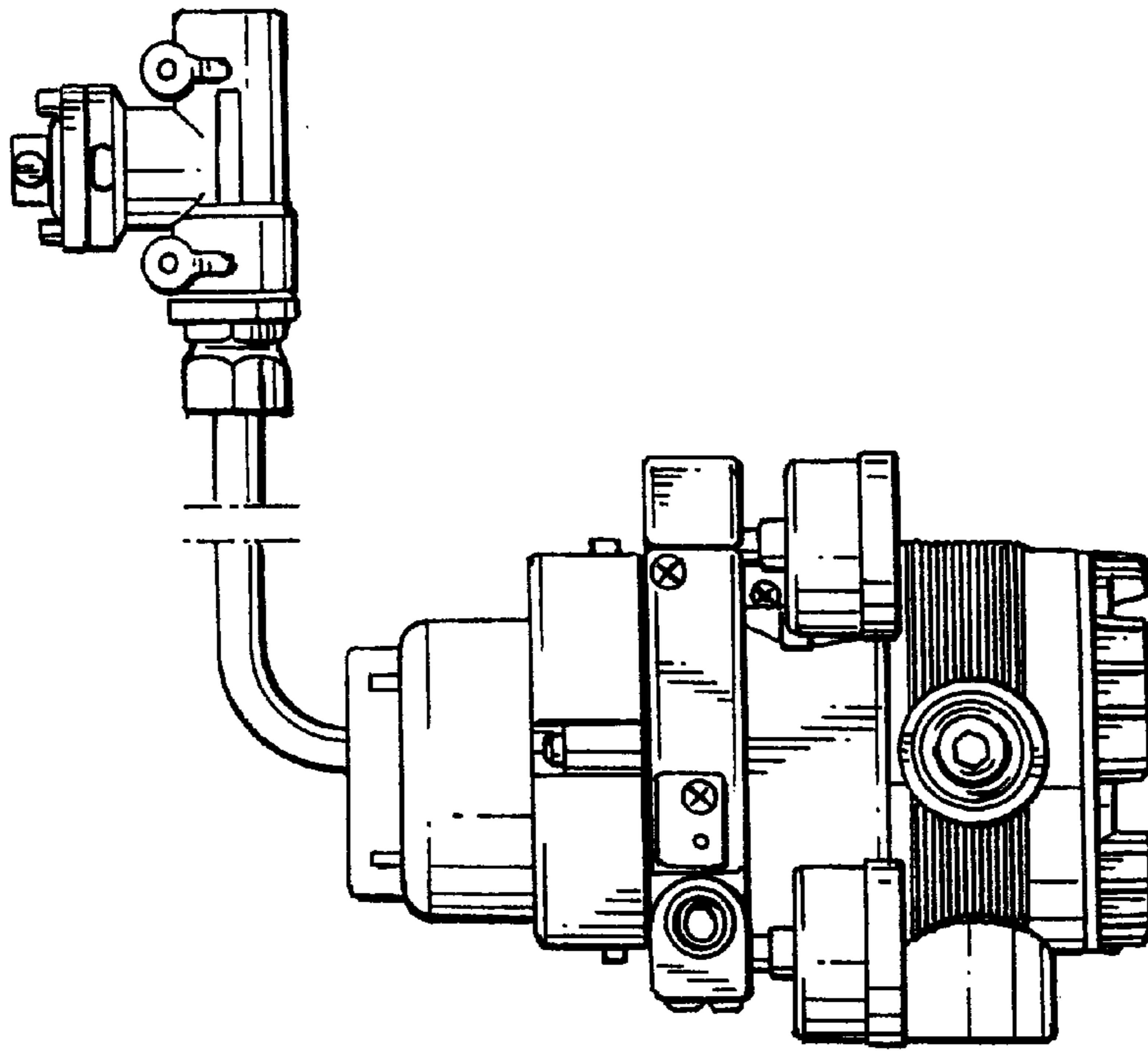


FIG. 3

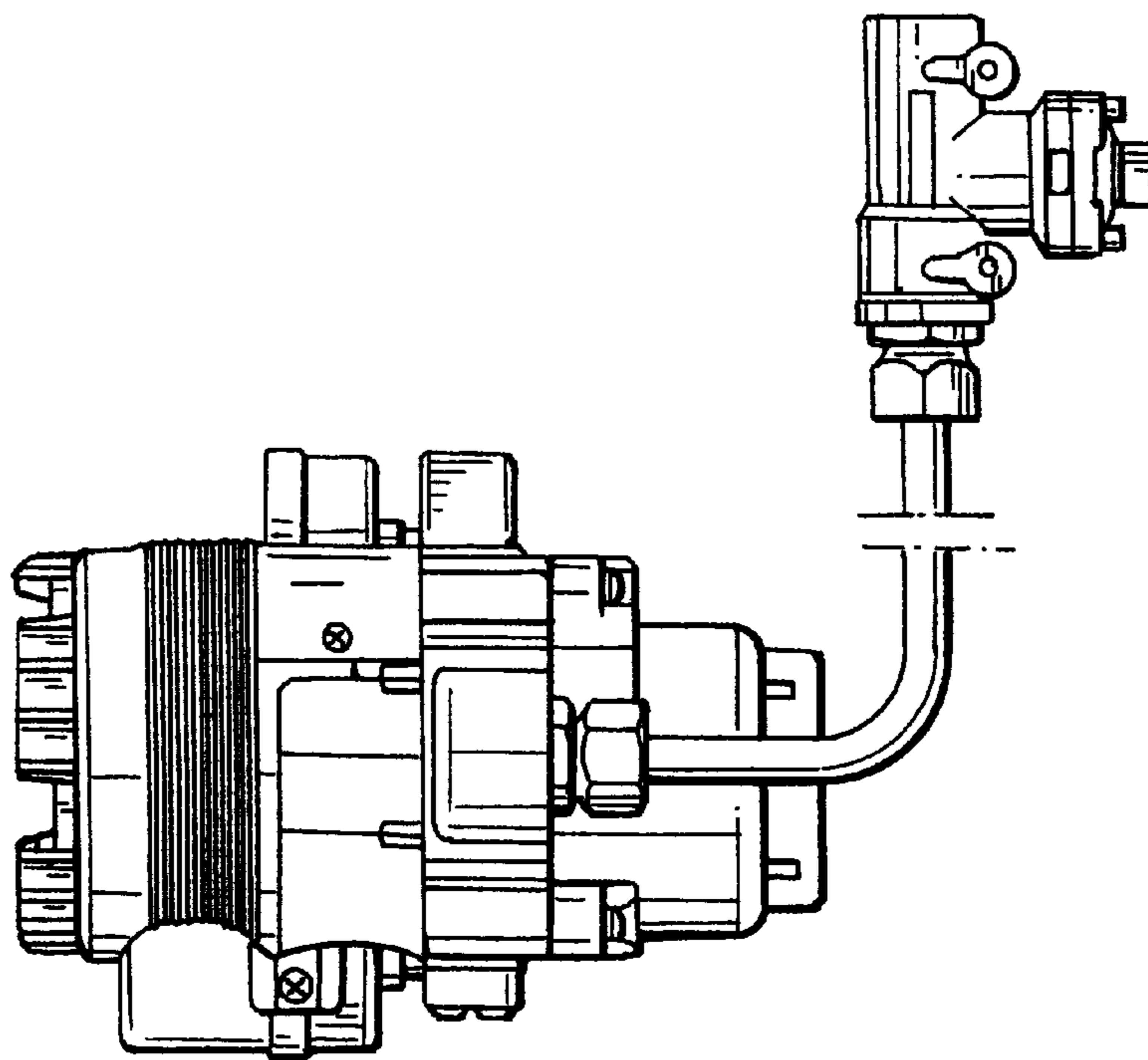


FIG. 4

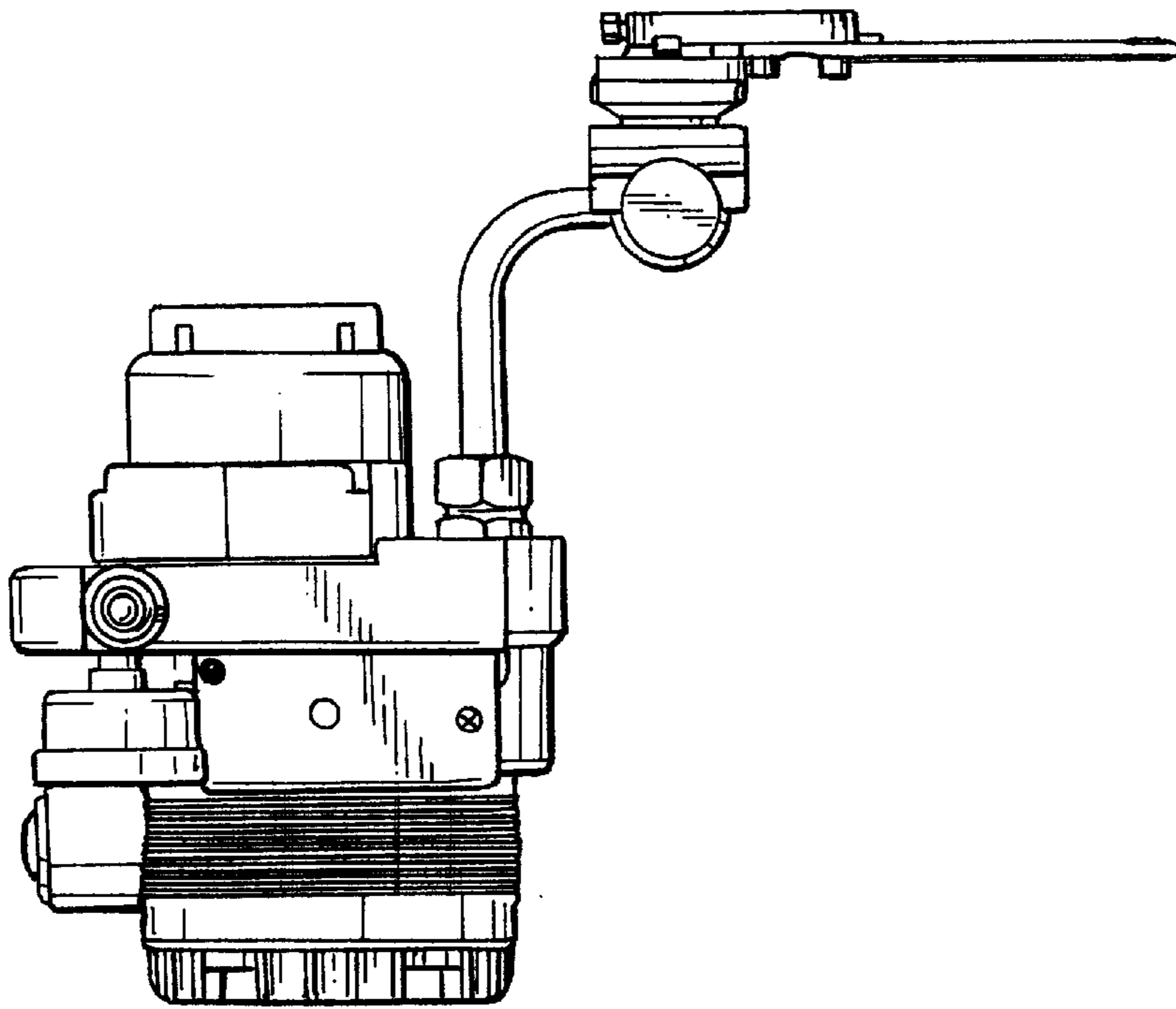


FIG. 5

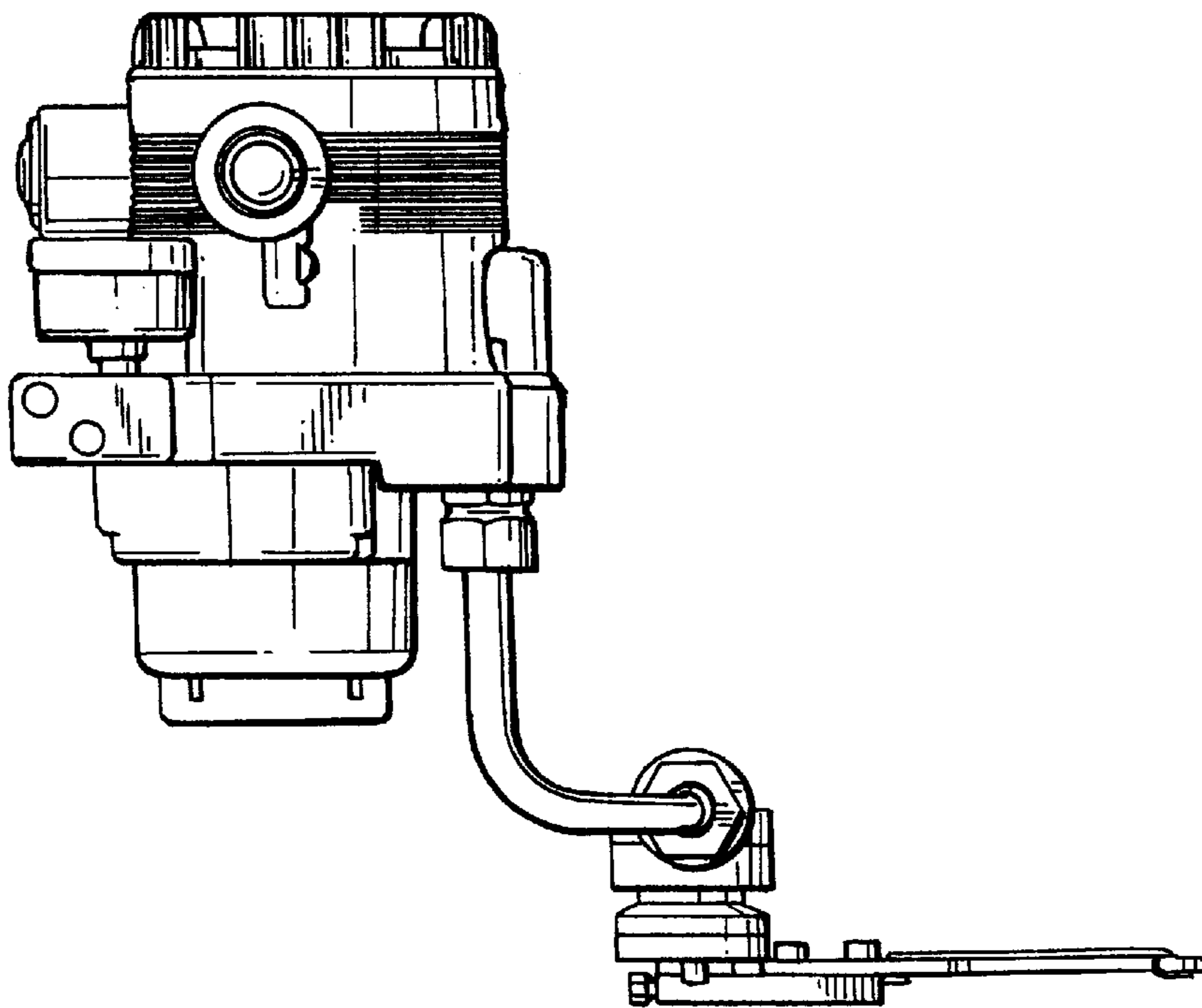


FIG. 6