



US00D458983S

(12) **United States Design Patent**  
**Chen**

(10) **Patent No.:** **US D458,983 S**

(45) **Date of Patent:** **\*\* Jun. 18, 2002**

(54) **WATER SPRINKLING DEVICE**

(75) **Inventor:** **Chin-Yuan Chen**, Chang-Hua Hsien (TW)

(73) **Assignee:** **Shin Tai Spurt Water of the Garden Tools Co.,Ltd.**, Chang-Hua Hsien (TW)

(\*\*) **Term:** **14 Years**

(21) **Appl. No.:** **29/144,870**

(22) **Filed:** **Jul. 13, 2001**

(51) **LOC (7) Cl.** ..... **23-01**

(52) **U.S. Cl.** ..... **D23/216**

(58) **Field of Search** ..... D23/213, 214, D23/215, 216; 239/240, 241, 242

(56) **References Cited**

**U.S. PATENT DOCUMENTS**

5,350,115 A \* 9/1994 Burnworth et al. .... 239/242  
D366,308 S \* 1/1996 Goodman et al. .... D23/216

D403,744 S \* 1/1999 Hsueh ..... D23/216  
D440,629 S \* 4/2001 Guo ..... D23/216  
D447,537 S \* 9/2001 Chao ..... D23/216

\* cited by examiner

*Primary Examiner*—Robin V. Taylor

(74) *Attorney, Agent, or Firm*—Harrison & Egbert

(57) **CLAIM**

I claim the ornamental design for a water sprinkling device, as shown and described.

**DESCRIPTION**

FIG. 1 is an upper perspective view of the water sprinkling device showing my design.

FIG. 2 is a front view thereof;

FIG. 3 is a back view thereof;

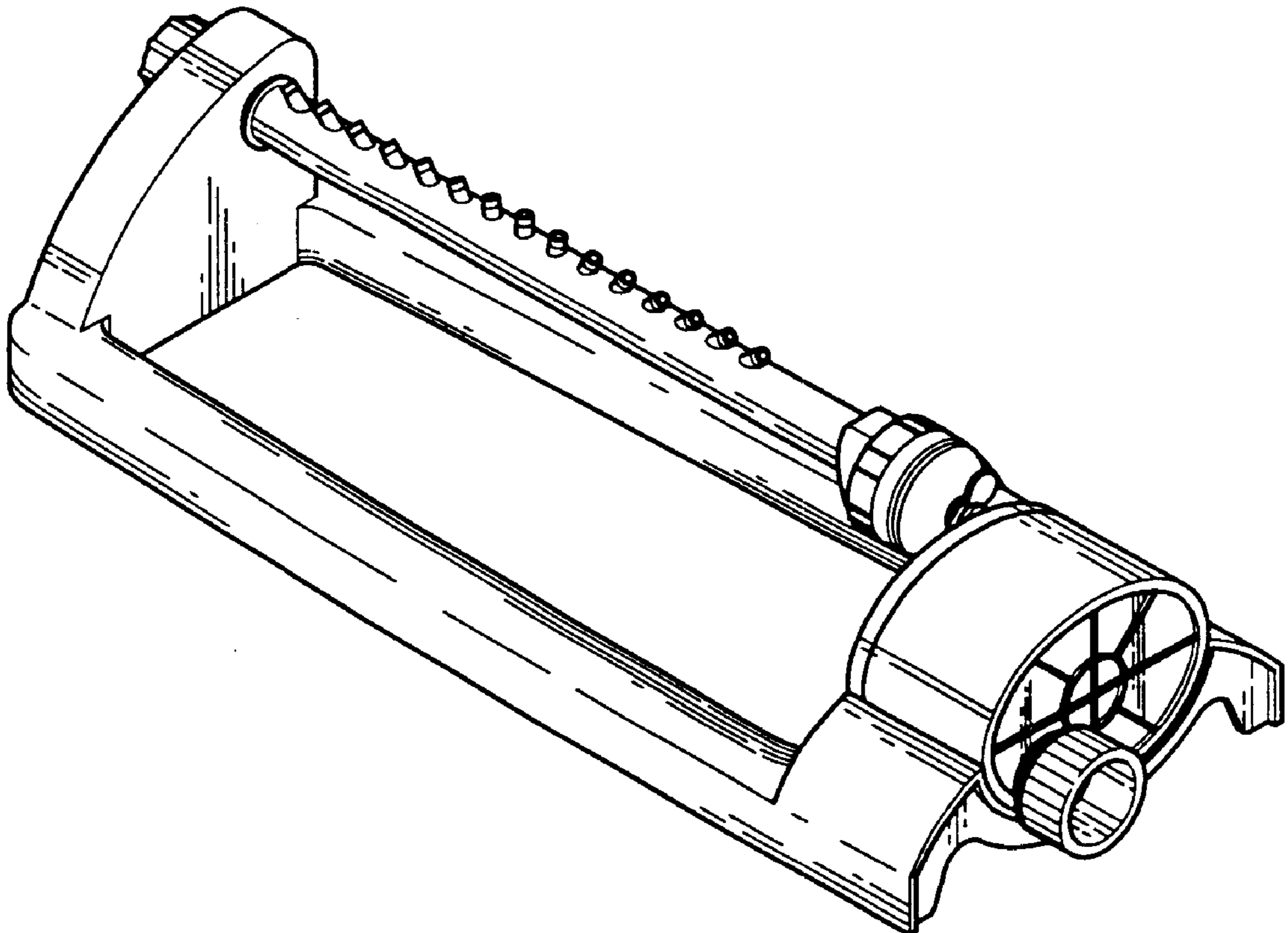
FIG. 4 is a side view thereof;

FIG. 5 is an opposite side view thereof;

FIG. 6 is a top view thereof; and,

FIG. 7 is a bottom view thereof.

**1 Claim, 4 Drawing Sheets**



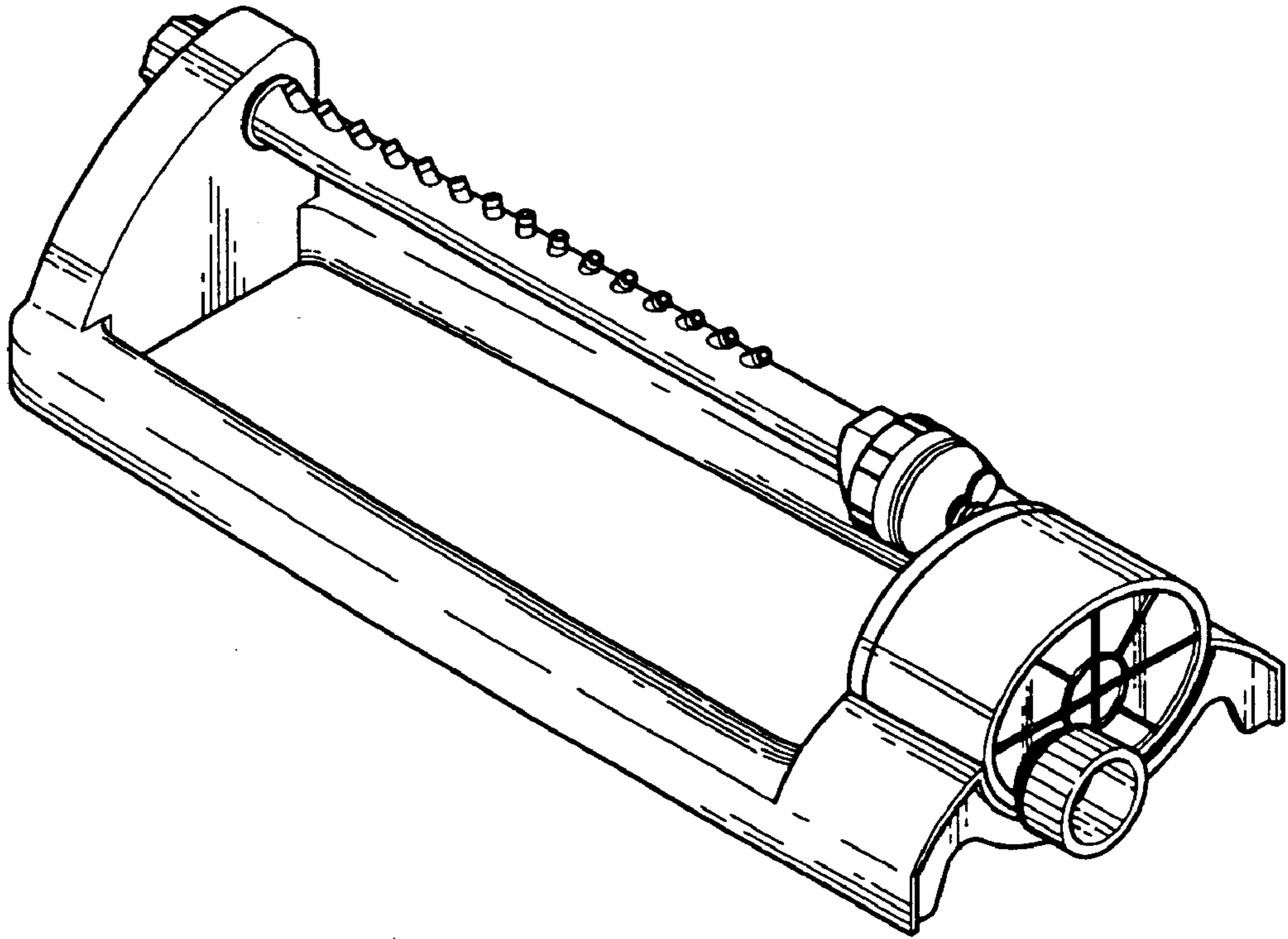


FIG.1

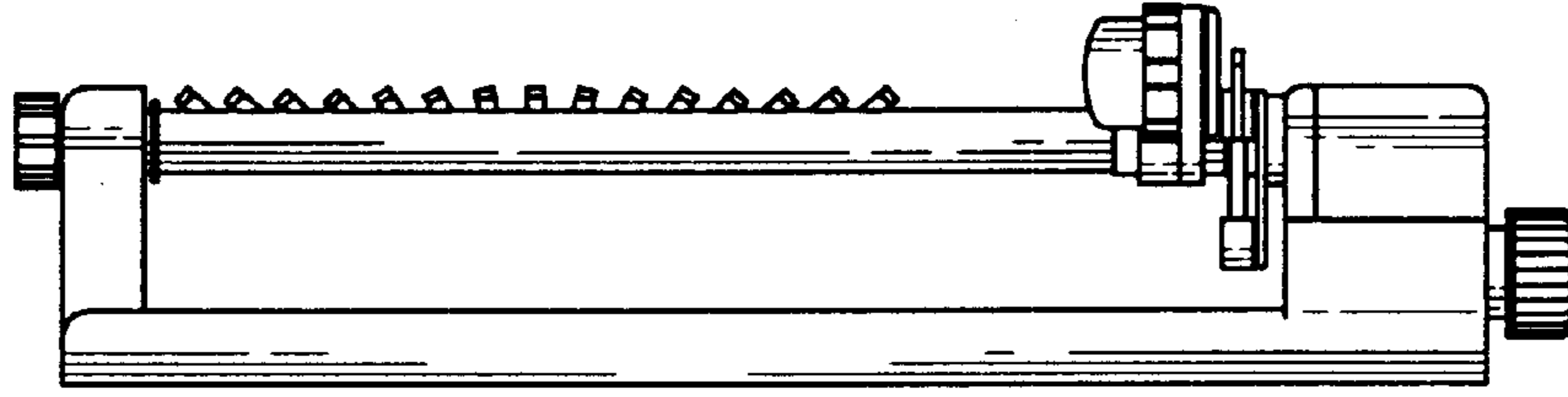


FIG. 2

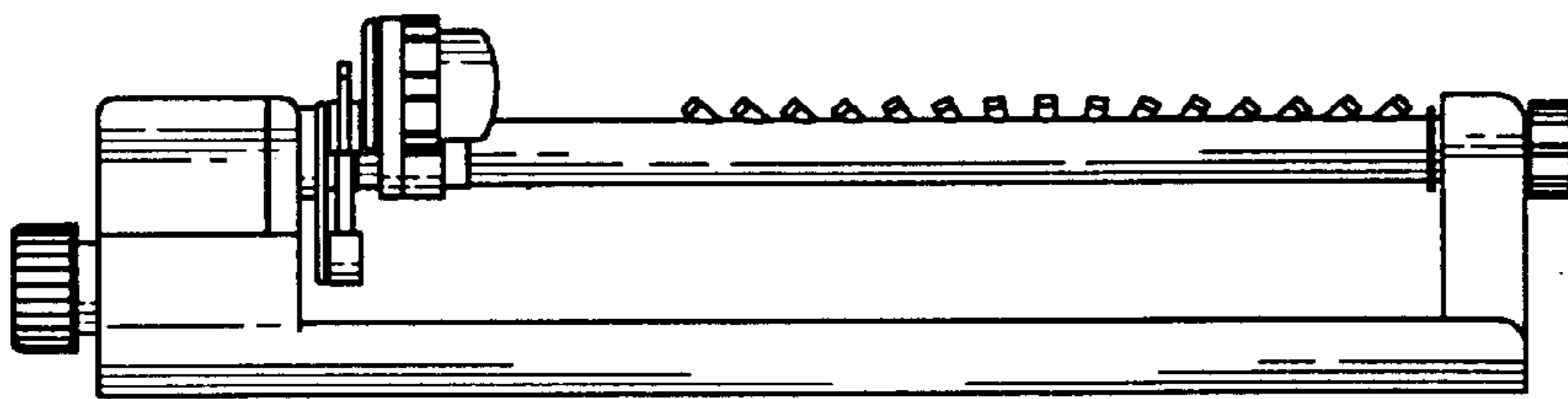


FIG. 3

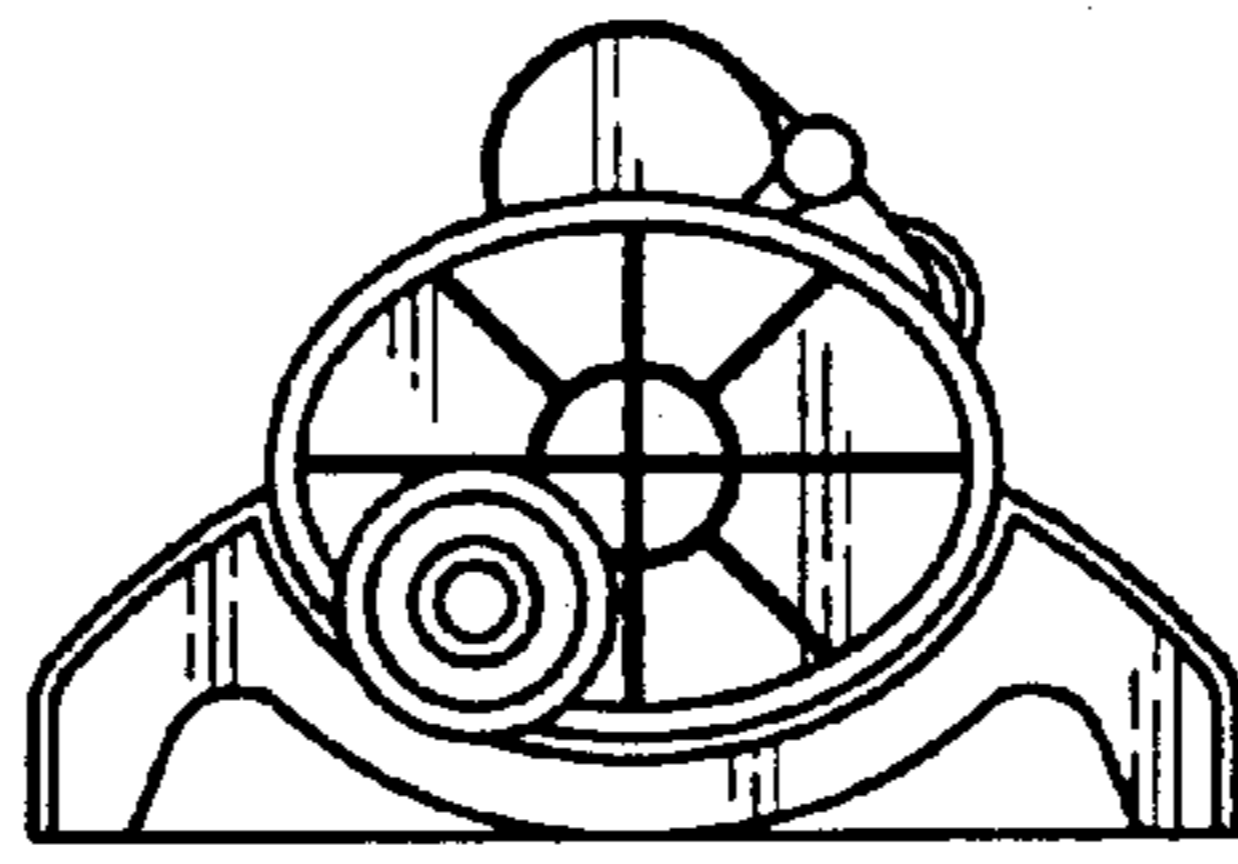


FIG. 4

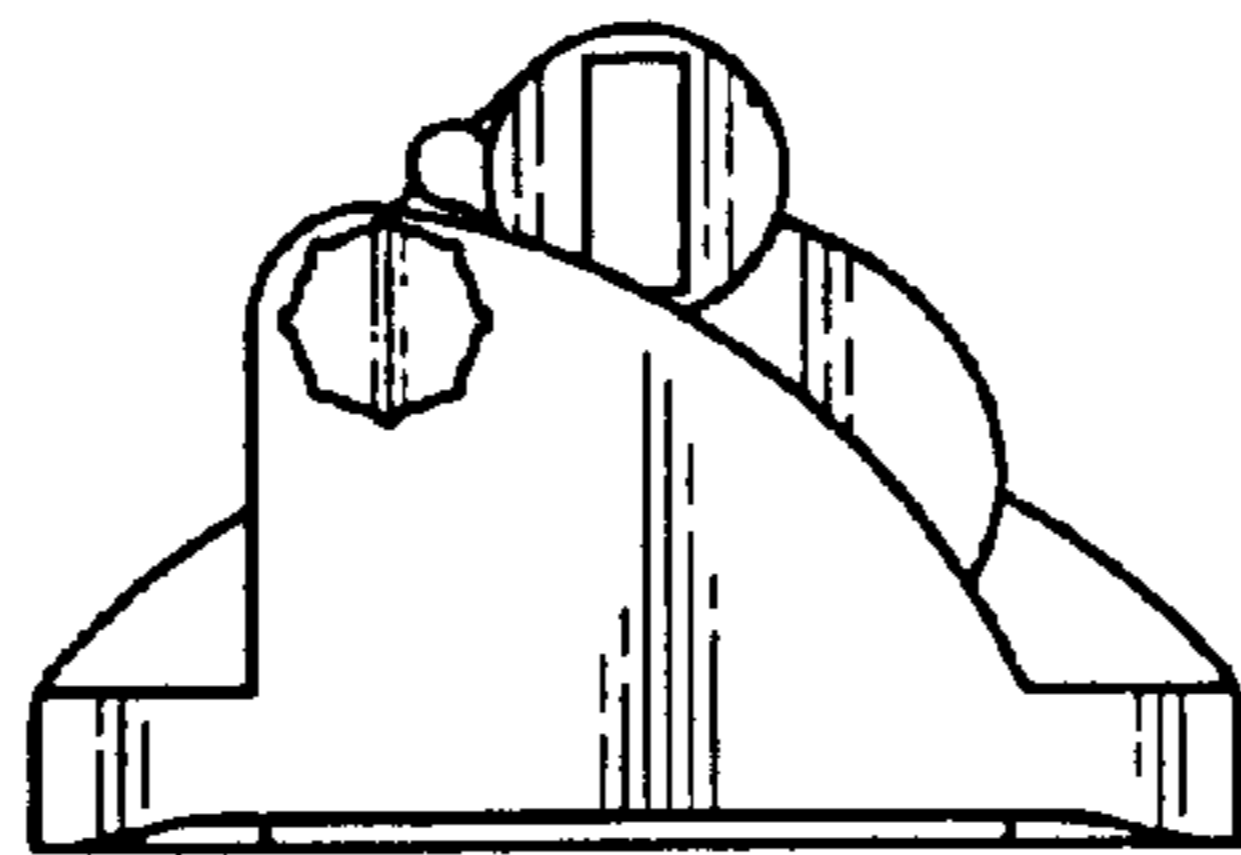


FIG. 5

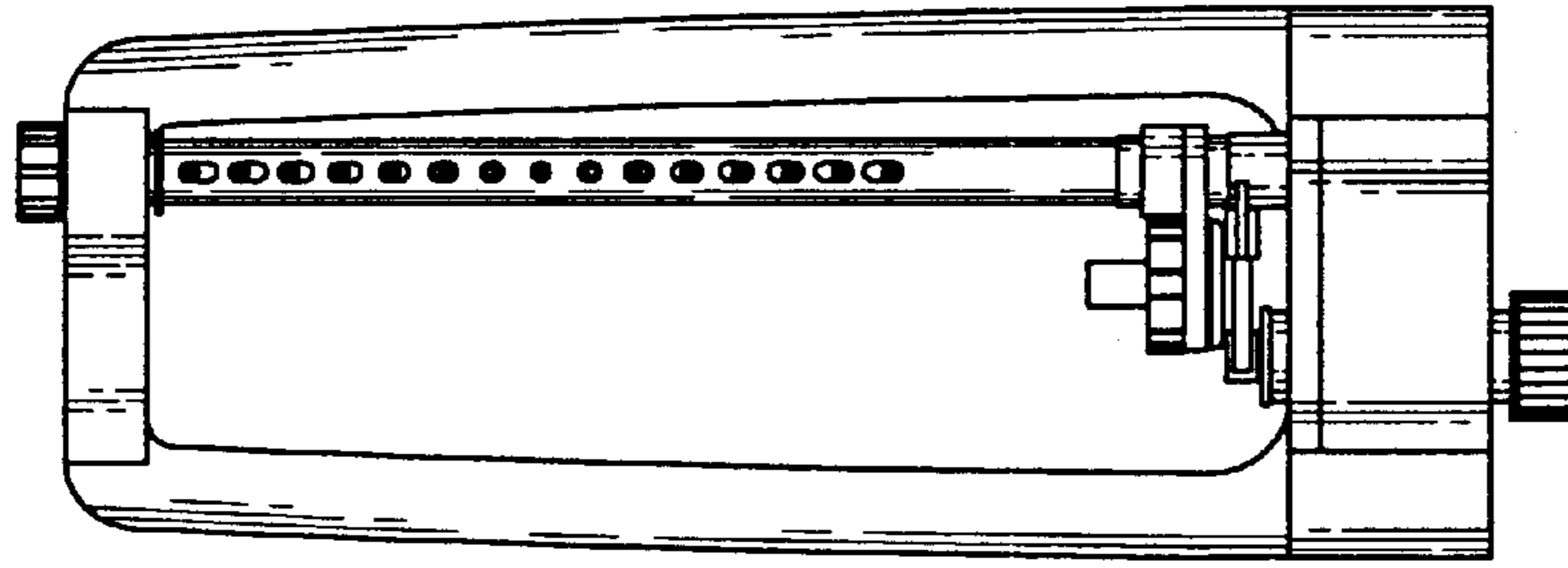


FIG. 6

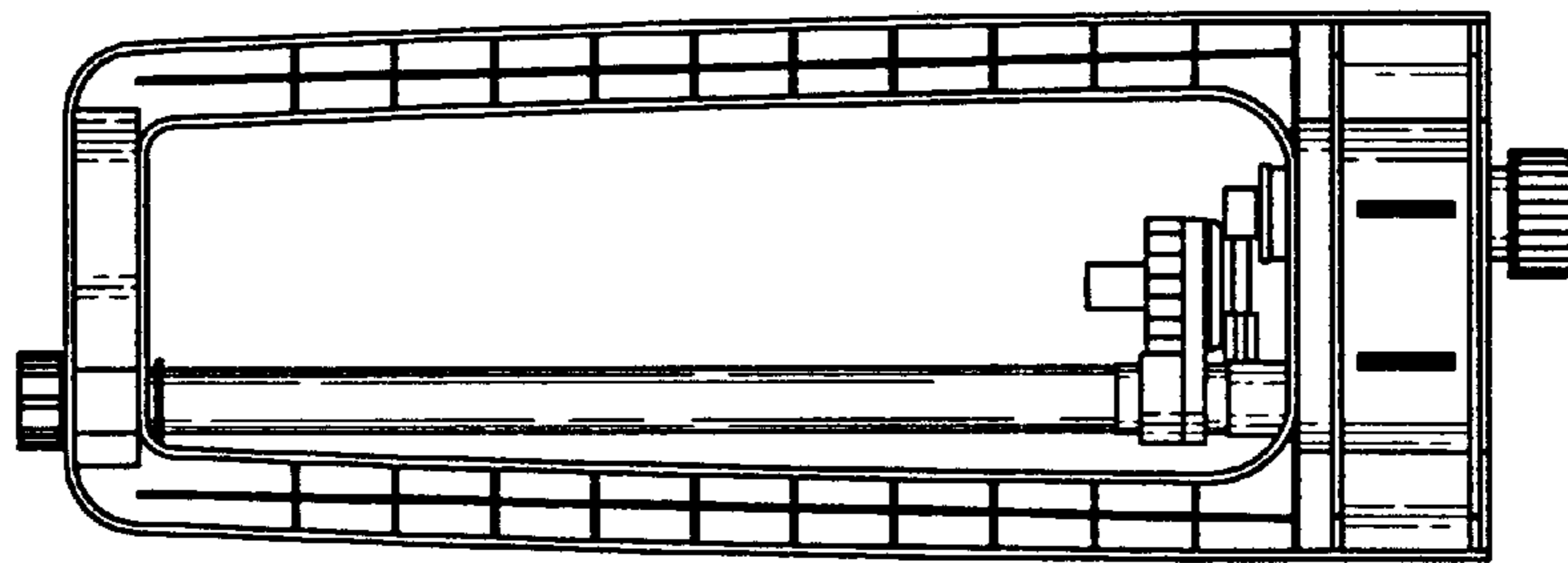


FIG. 7