



US00D458980S

(12) **United States Design Patent**
Shin

(10) **Patent No.:** **US D458,980 S**

(45) **Date of Patent:** **** Jun. 18, 2002**

(54) **GOLF CLUB HEAD**

(76) **Inventor:** **Yi So Shin**, 207-8, Bangyi-Dong,
Songpa-ku, Seoul (KR)

(**) **Term:** **14 Years**

(21) **Appl. No.:** **29/141,401**

(22) **Filed:** **May 7, 2001**

(30) **Foreign Application Priority Data**

Dec. 4, 2000 (KR) 00-30856

(51) **LOC (7) Cl.** **21-02**

(52) **U.S. Cl.** **D21/748**

(58) **Field of Search** D21/747-751,
D21/759; 473/324, 329-331, 350, 285

(56) **References Cited**

U.S. PATENT DOCUMENTS

- D55,278 S * 5/1920 Kraeuter D21/750
- 1,854,548 A * 4/1932 Hunt 473/329
- 2,700,547 A * 1/1955 Kraeling, Jr. 473/285
- D357,045 S * 4/1995 Simmons D21/748

- D429,786 S * 8/2000 Antonious D21/759
- D434,096 S * 11/2000 Antonious D21/759

* cited by examiner

Primary Examiner—Mitchell Siegel
(74) *Attorney, Agent, or Firm*—Wenderoth, Lind & Ponack,
L.L.P.

(57) **CLAIM**

The ornamental design for a golf club head, shown and described.

DESCRIPTION

FIG. 1 is a front perspective view of a golf club head showing my new design;
FIG. 2 is a front elevational view thereof;
FIG. 3 is a rear elevational view thereof;
FIG. 4 is a left side elevational view thereof;
FIG. 5 is a right side elevational view thereof;
FIG. 6 is a top plan view thereof;
FIG. 7 is a bottom plan view thereof; and,
FIG. 8 is a cross sectional view taken on line 8—8 of FIG. 3.

1 Claim, 4 Drawing Sheets

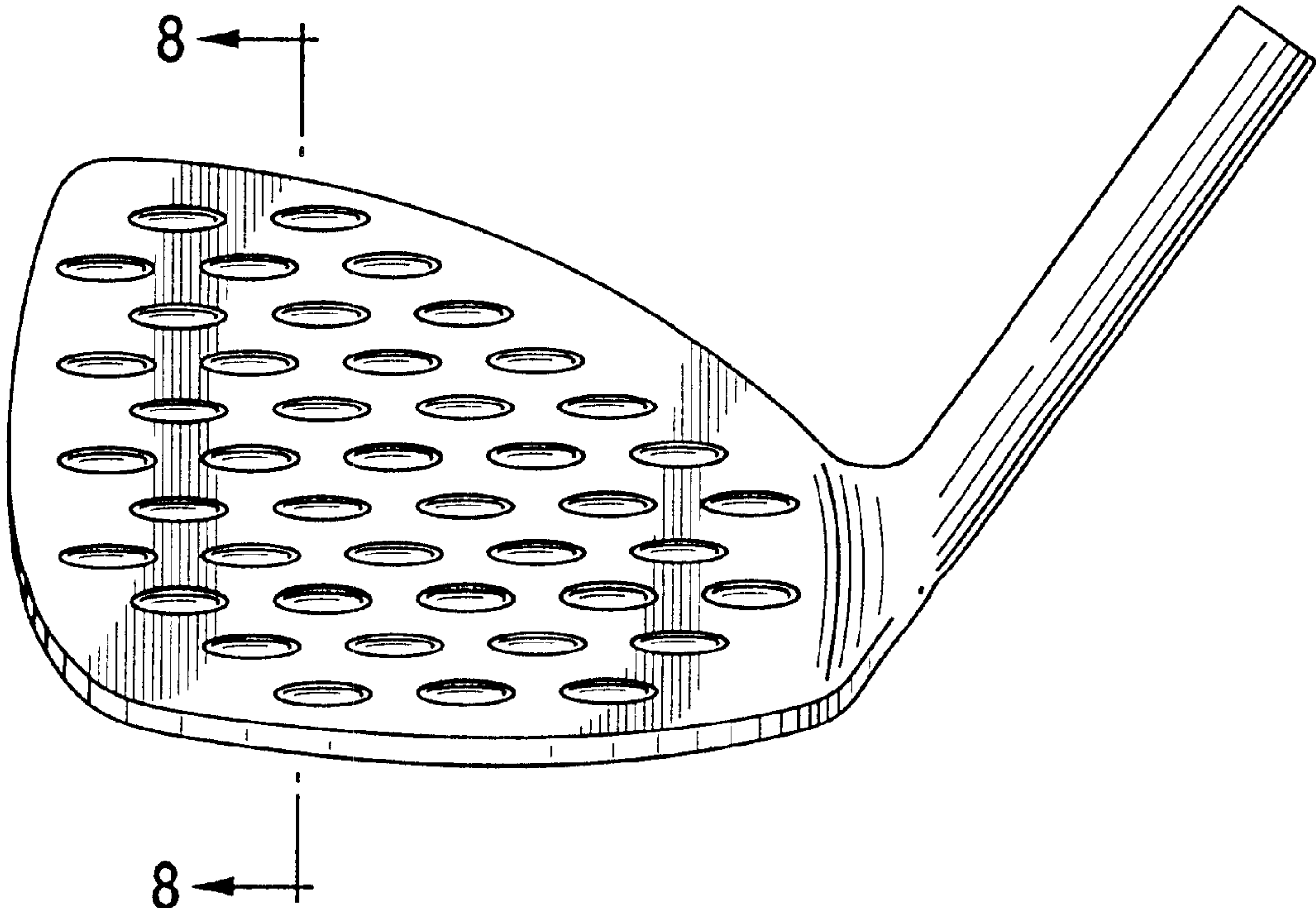


FIG. 1

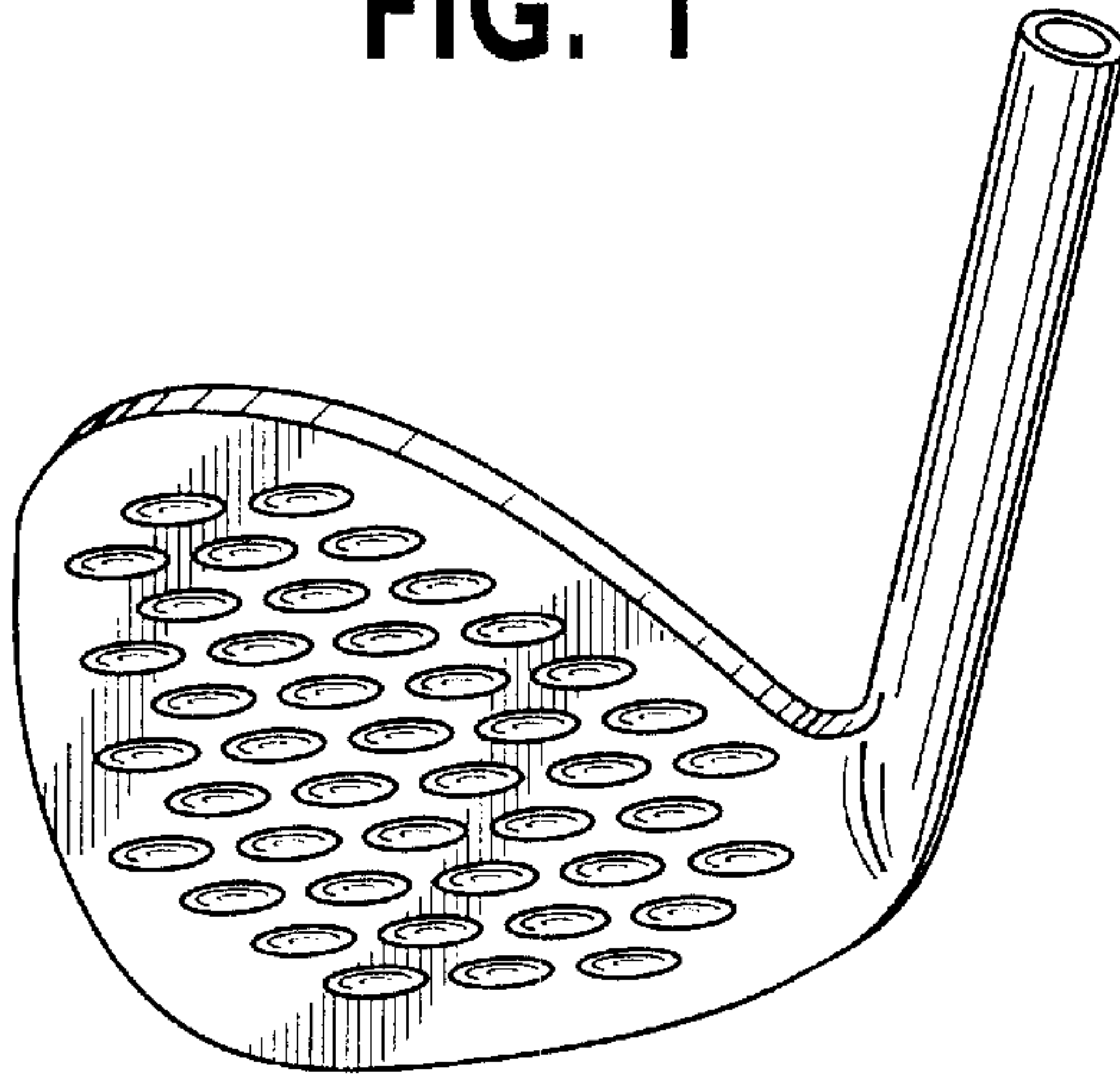


FIG. 2

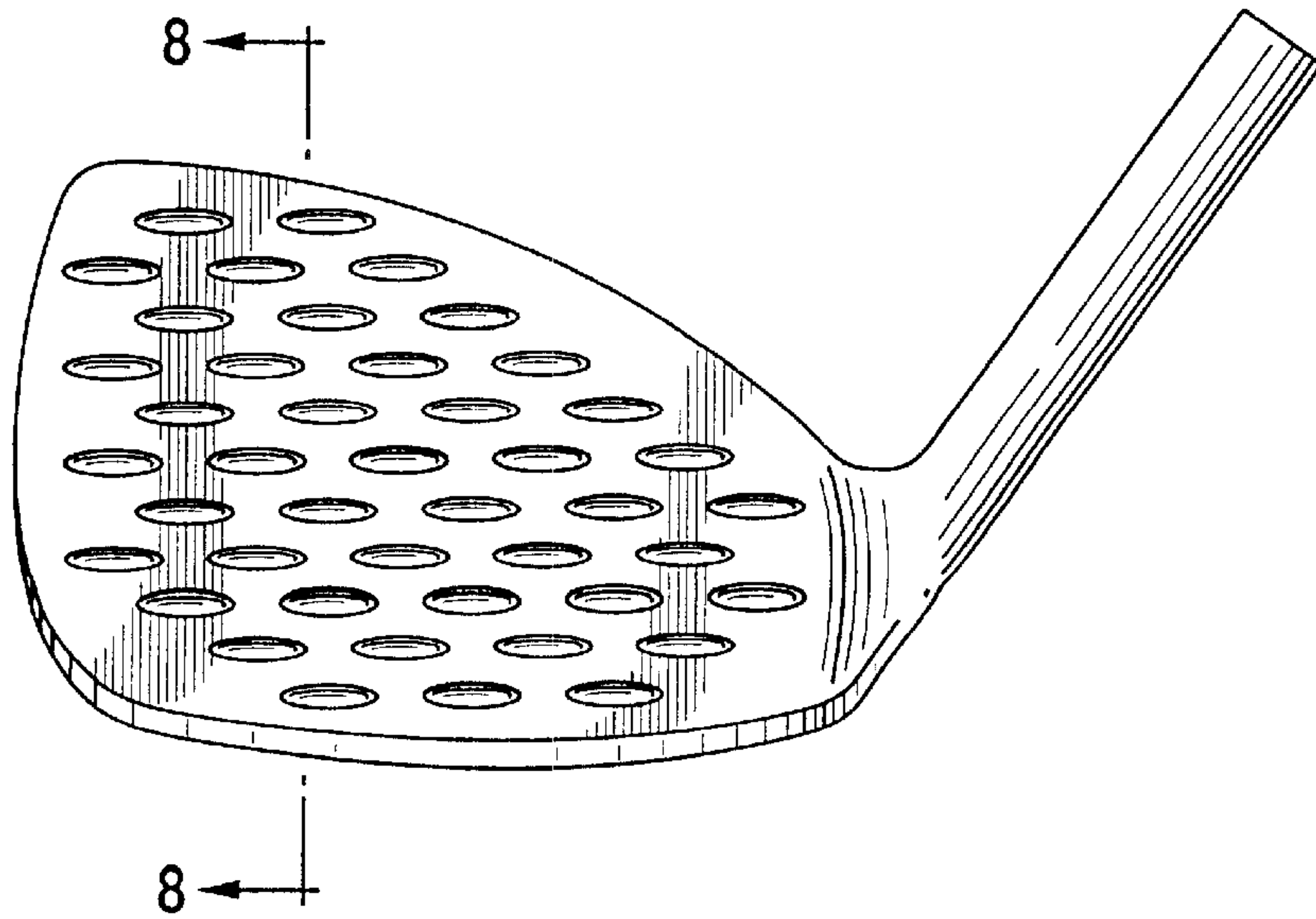


FIG. 3

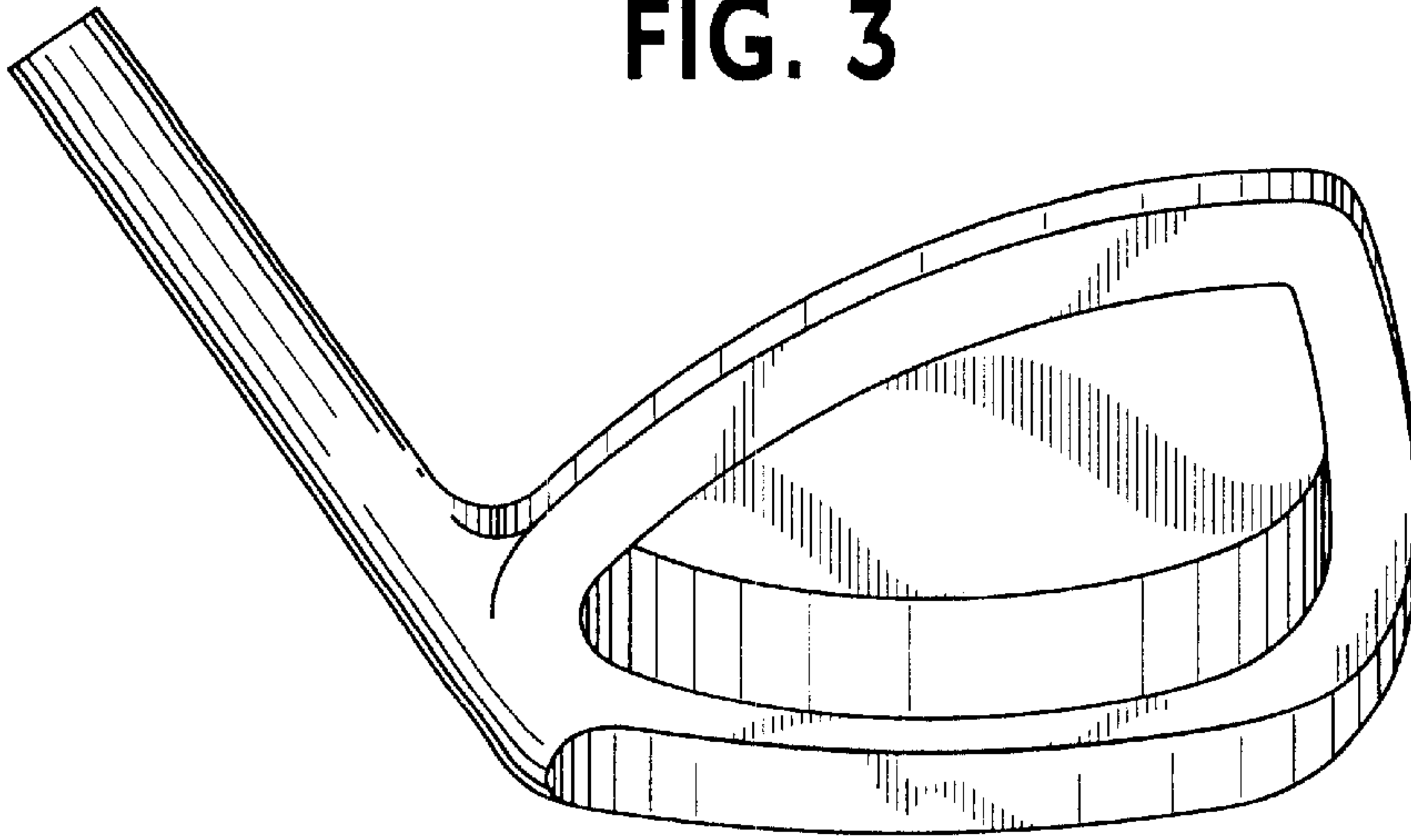


FIG. 4

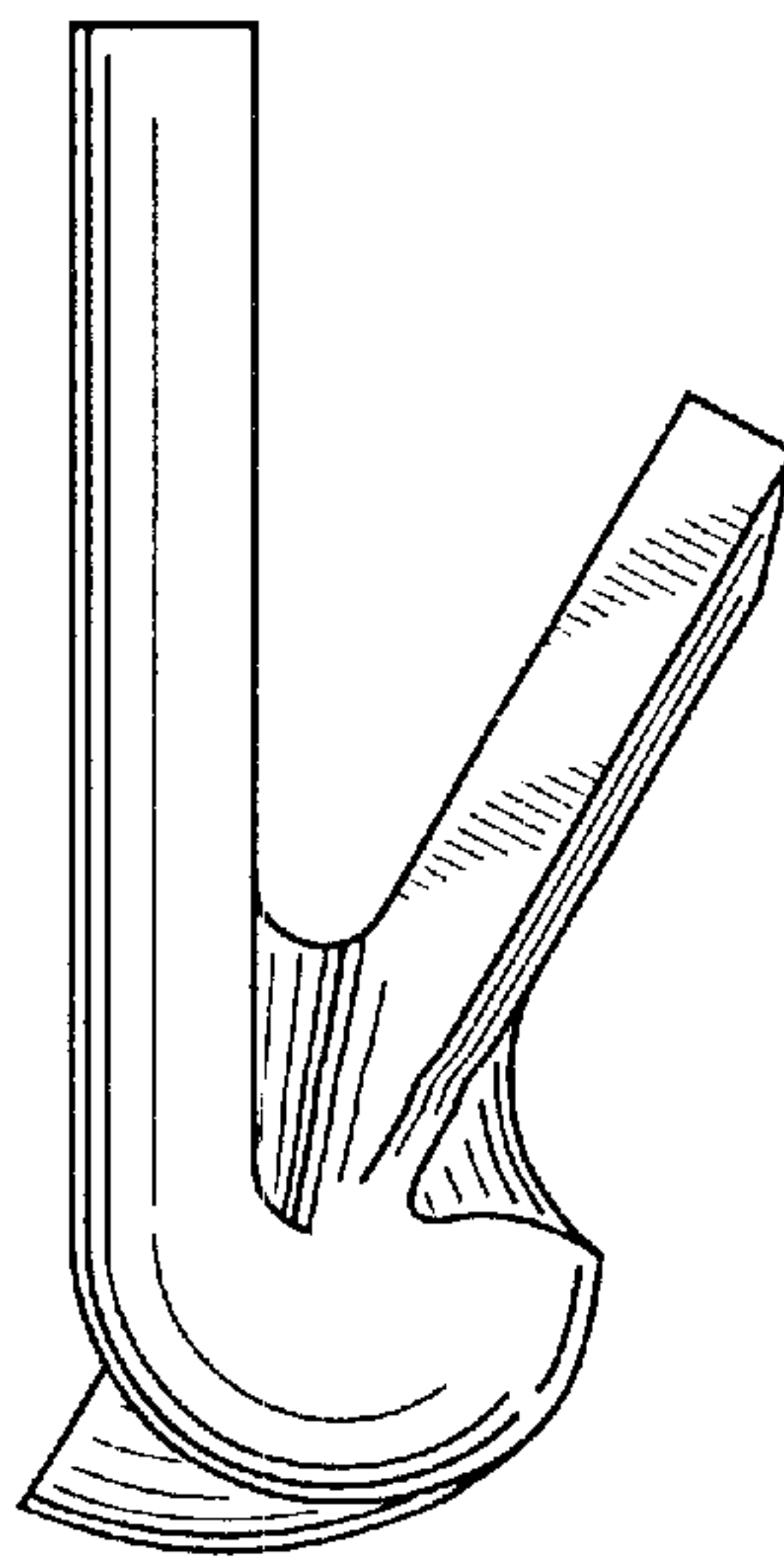


FIG. 5

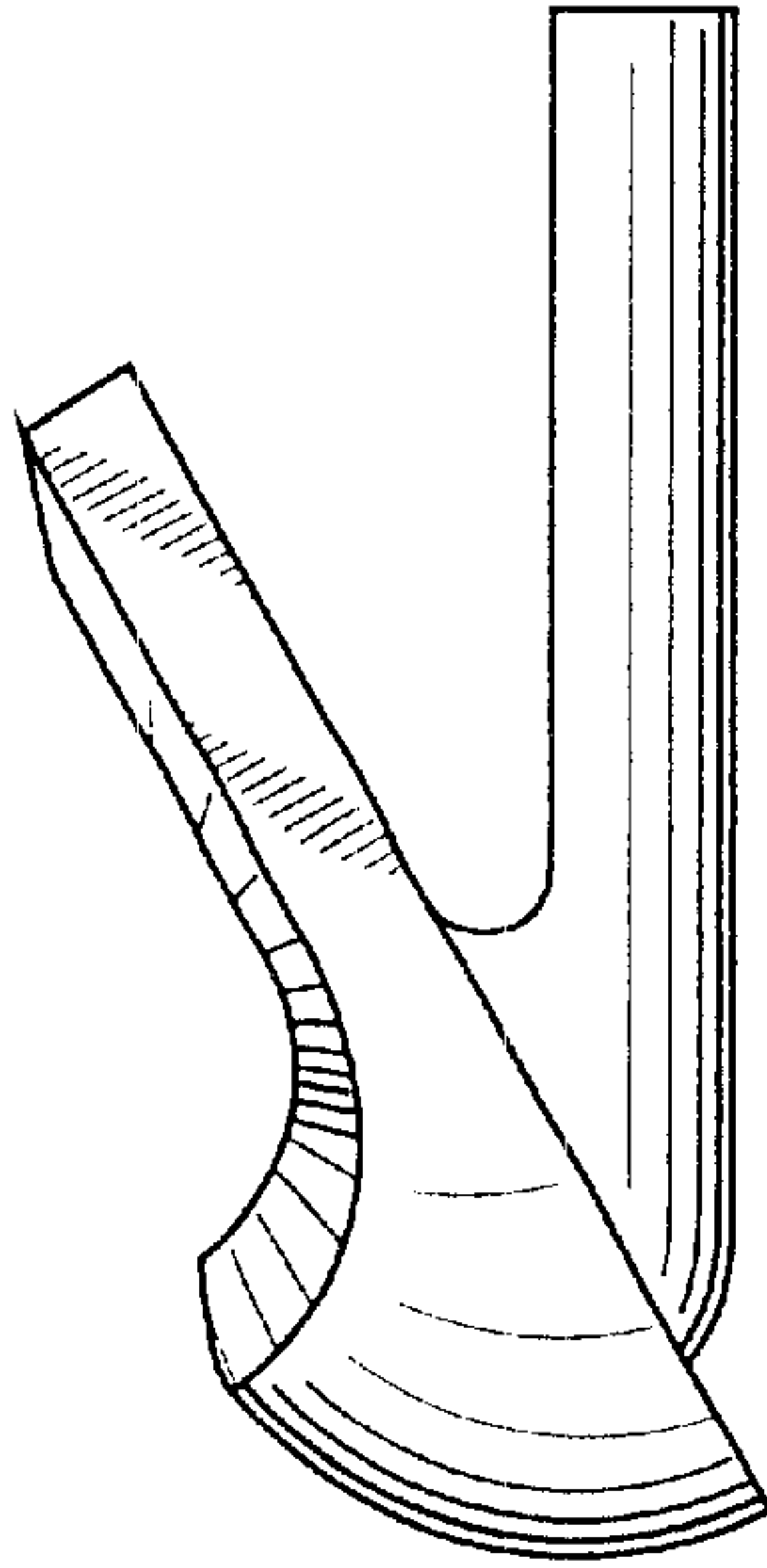


FIG. 6

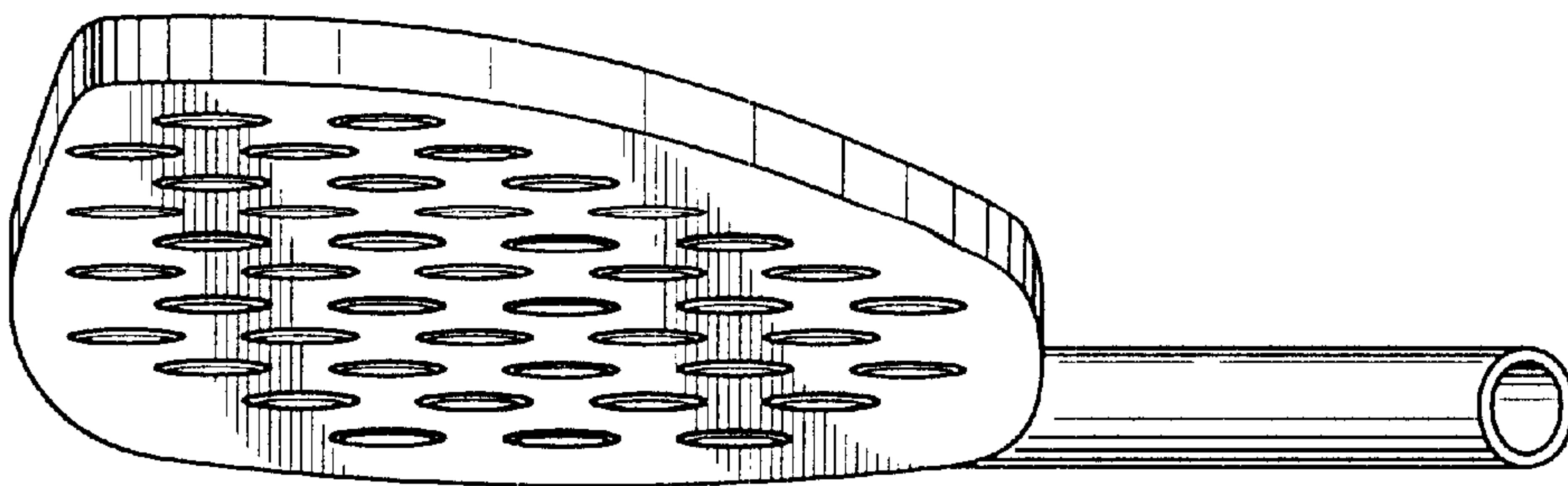


FIG. 7

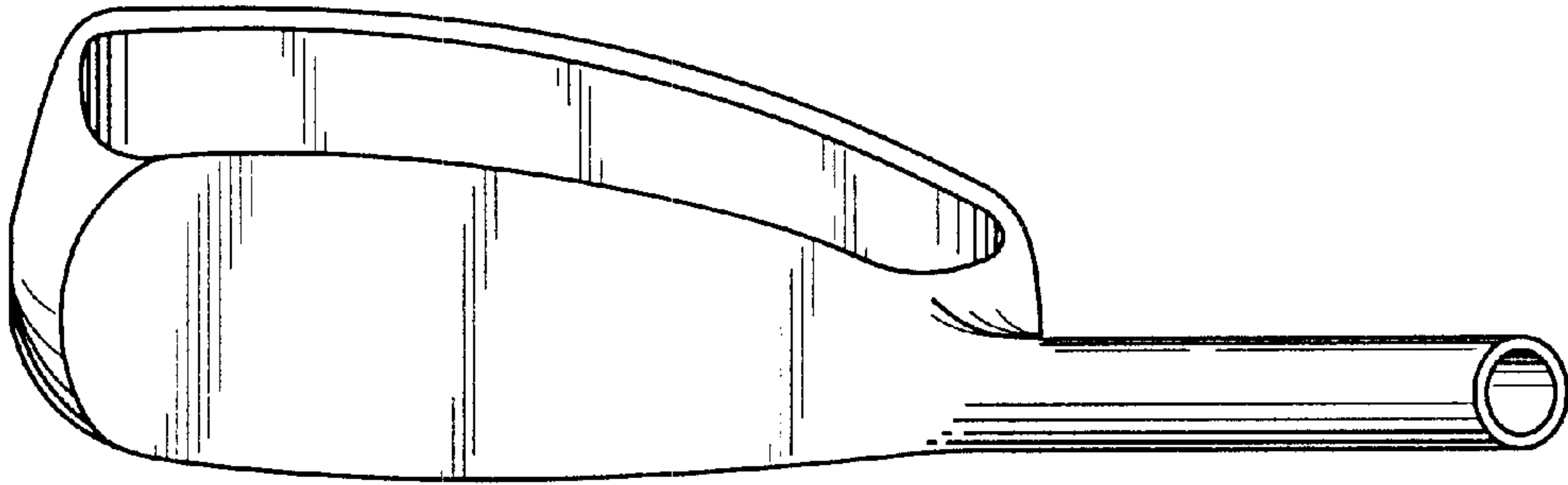


FIG. 8

