



US00D458977S

(12) **United States Design Patent**
Tobias et al.

(10) **Patent No.:** **US D458,977 S**
(45) **Date of Patent:** **** Jun. 18, 2002**

(54) **OVAL-TRACKED EXERCISE DEVICE**

(76) Inventors: **Andrew Tobias**, 78-140 Calle Tampico Suite 201, La Quinta, CA (US) 92253;
Vincent Zarlengo, 7584 San Fernando Rd., Sun Valley, CA (US) 91352

(**) Term: **14 Years**

(21) Appl. No.: **29/144,504**

(22) Filed: **Jul. 3, 2001**

(51) **LOC (7) Cl.** **21-02**

(52) **U.S. Cl.** **D21/668**

(58) **Field of Search** D21/662, 663,
D21/664, 666, 668, 669, 670; 482/51, 57,
52, 53, 54, 71, 72

(56) **References Cited**

U.S. PATENT DOCUMENTS

5,746,683	A	*	5/1998	Lee	482/51
5,762,588	A	*	6/1998	Chen	482/57
D396,508	S	*	7/1998	Chen	D21/671
D397,383	S	*	8/1998	Sands et al.	D21/663
D398,672	S	*	9/1998	Sands et al.	D21/663
D401,645	S	*	11/1998	Kuo	D21/668

D405,852	S	*	2/1999	McBride	D21/668
D406,289	S	*	3/1999	Hwang	D21/665
D410,978	S	*	6/1999	Littrell et al.	D21/668
6,007,462	A	*	12/1999	Chen	482/51
6,063,008	A	*	5/2000	McBride et al.	482/52
D429,781	S	*	8/2000	Arnold et al.	D21/668

* cited by examiner

Primary Examiner—Philip S. Hyder

(74) *Attorney, Agent, or Firm*—Kelly Bauersfeld Lowry & Kelley, LLP

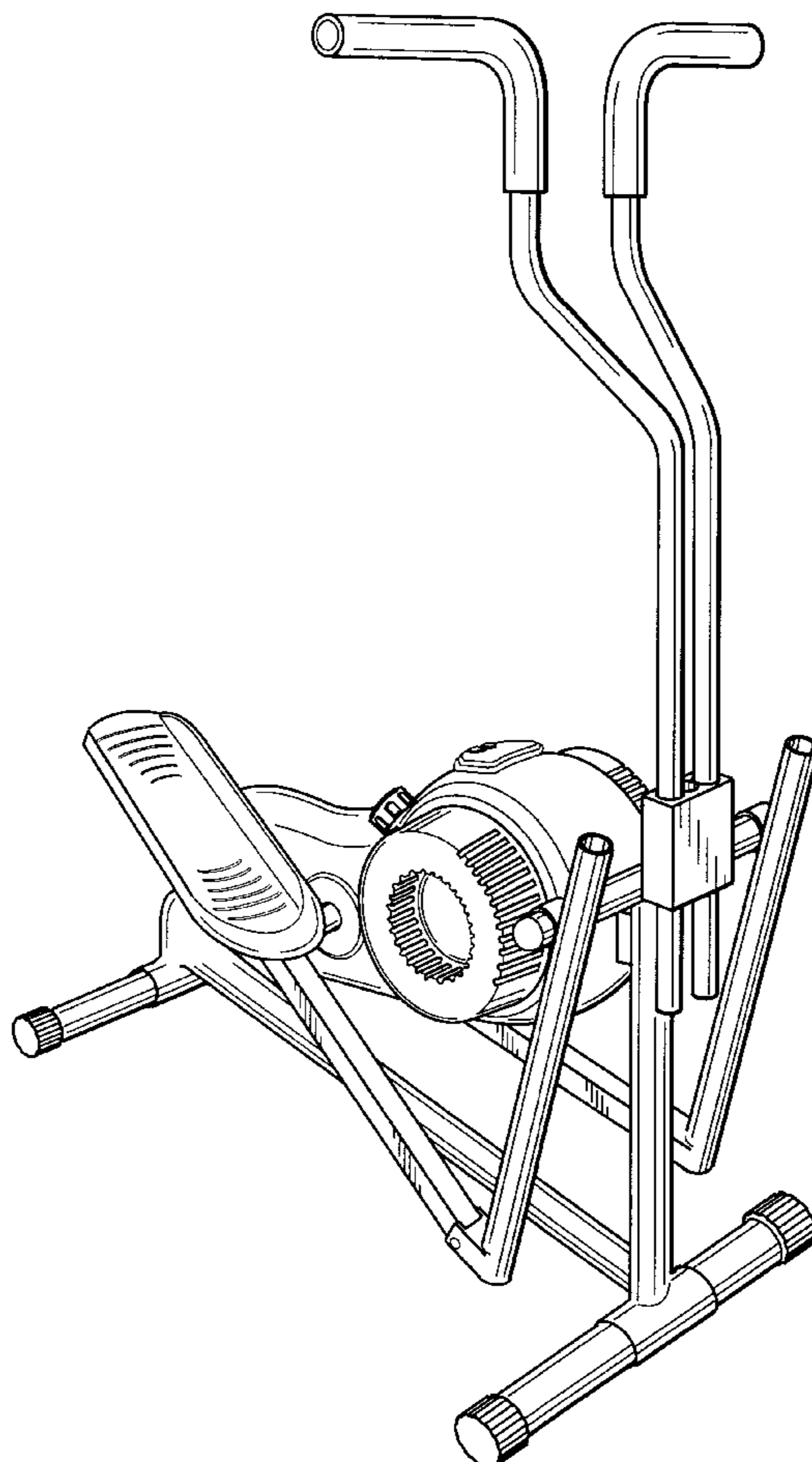
(57) **CLAIM**

The ornamental design for an oval-tracked exercise device, as shown.

DESCRIPTION

FIG. 1 is a top, front and right-side perspective view of an oval-tracked exercise device embodying our new design; FIG. 2 is a front elevational view thereof; FIG. 3 is a rear elevational view thereof; FIG. 4 is a right-side elevational view thereof; FIG. 5 is a left-side elevational view thereof; FIG. 6 is a top plan view thereof; and, FIG. 7 is a bottom plan view thereof.

1 Claim, 6 Drawing Sheets



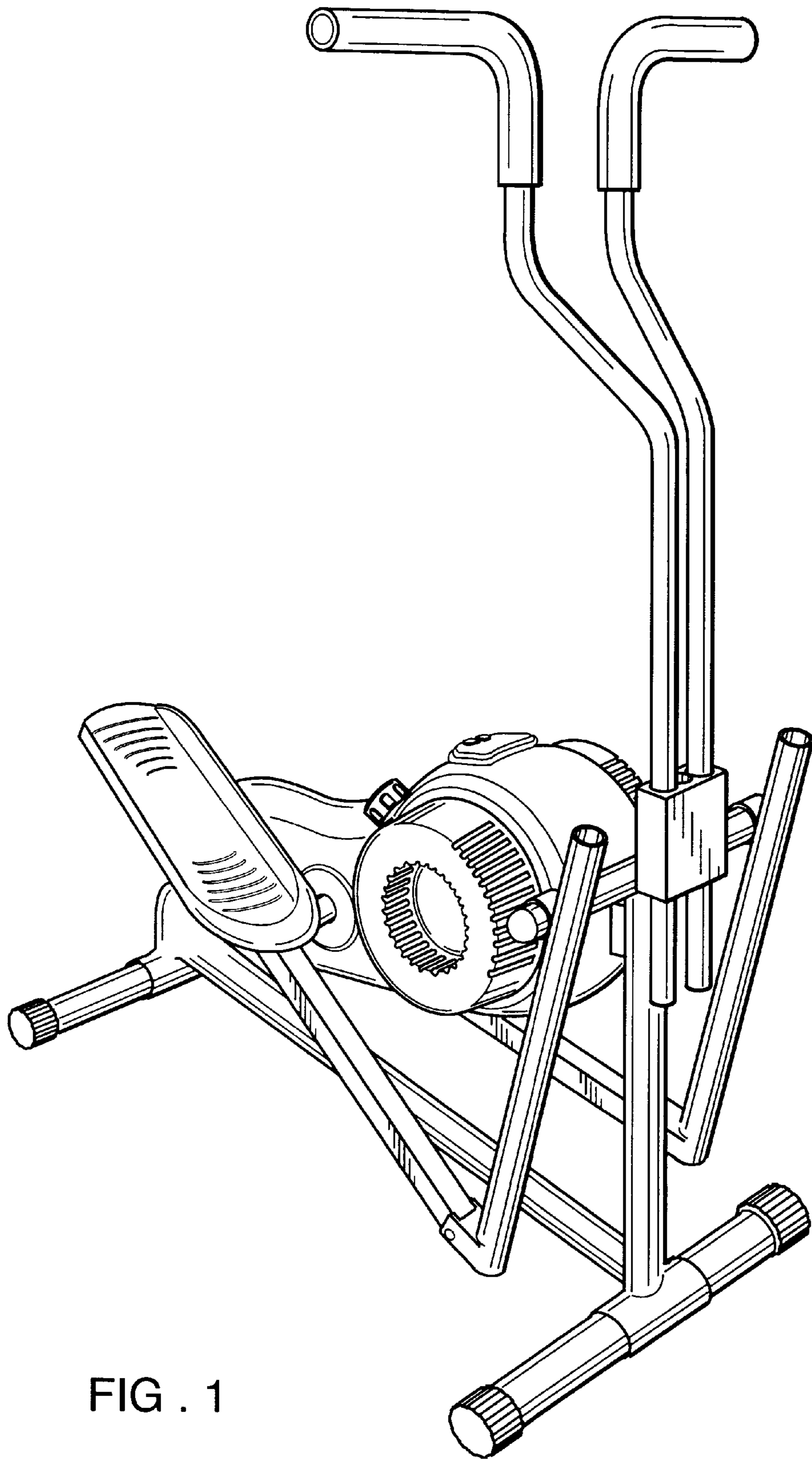


FIG . 1

FIG. 2

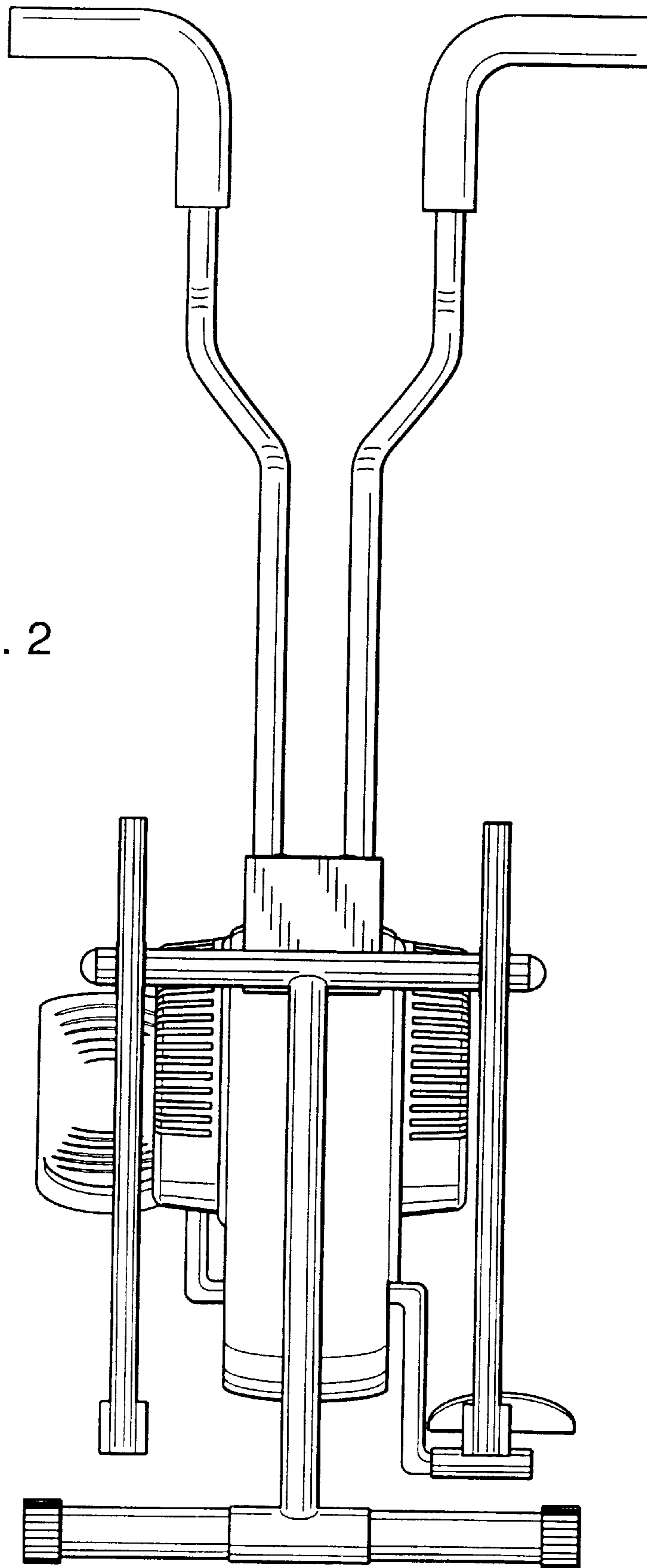


FIG. 3

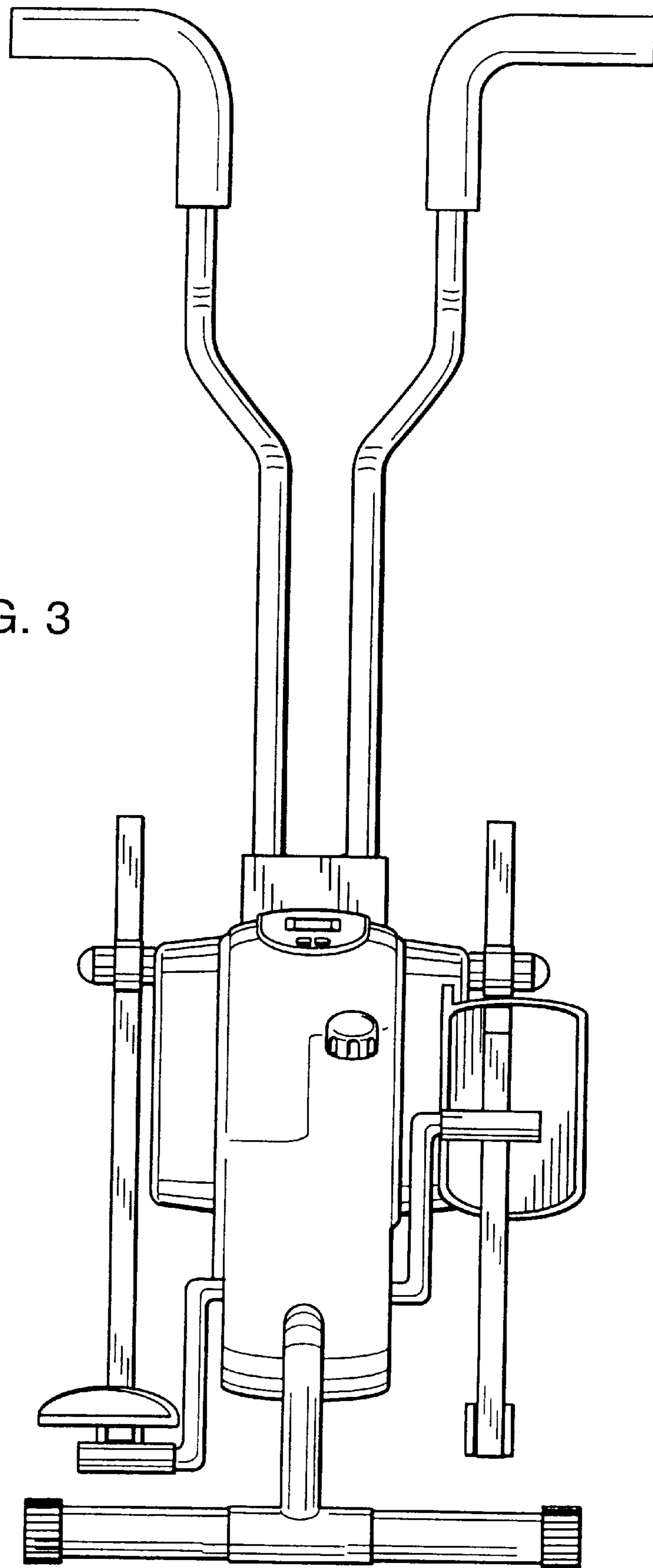
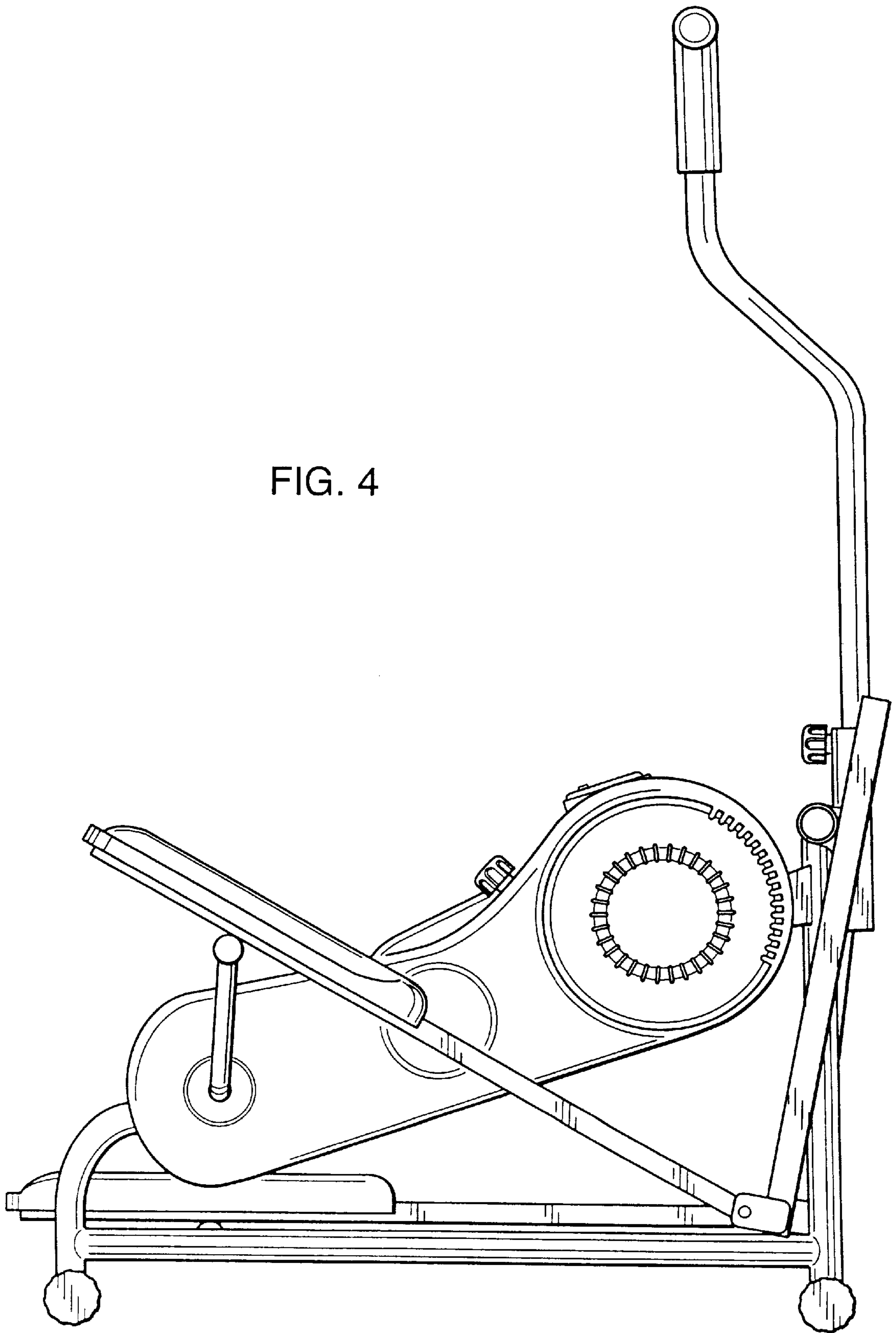


FIG. 4



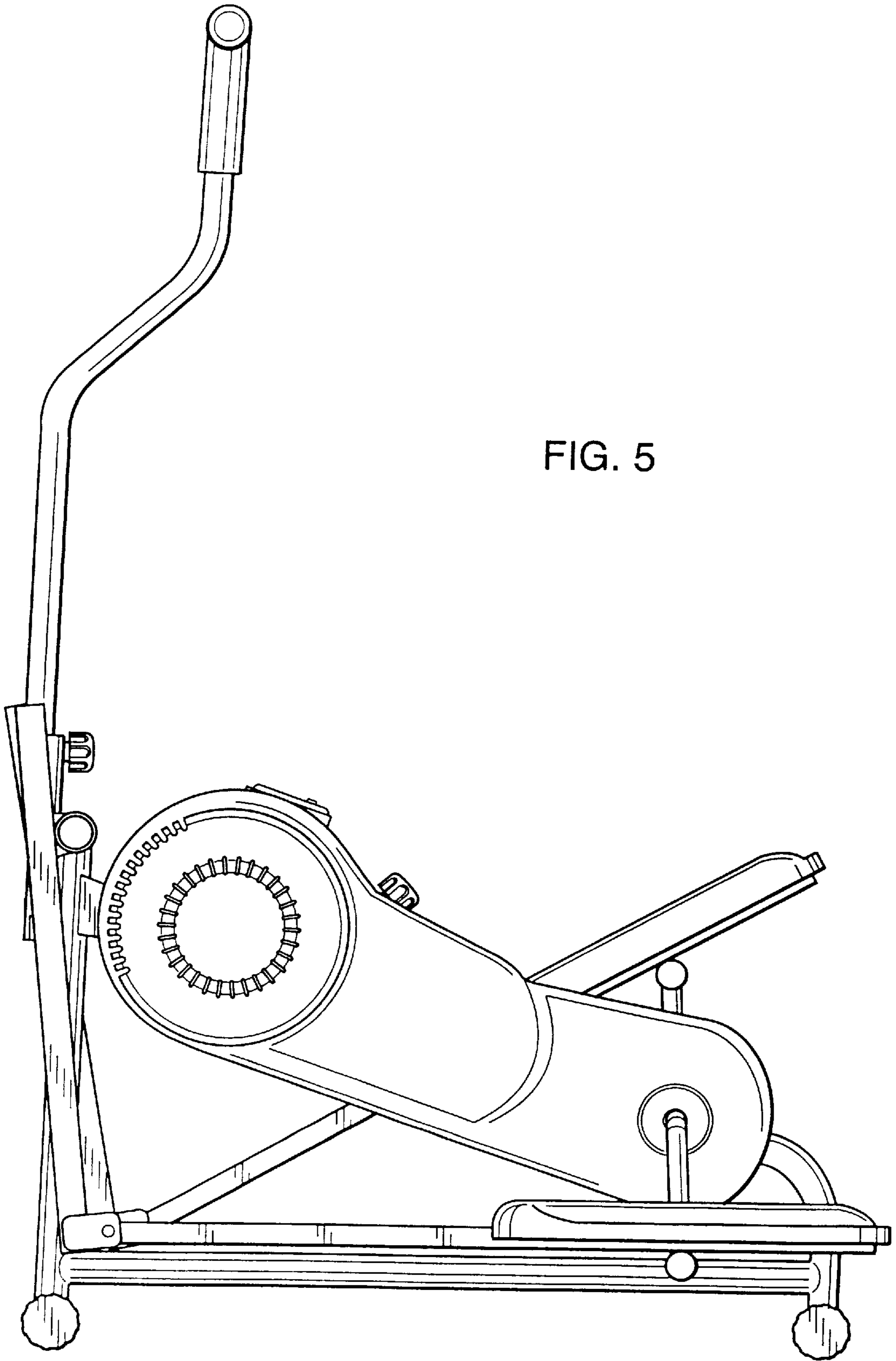


FIG. 5

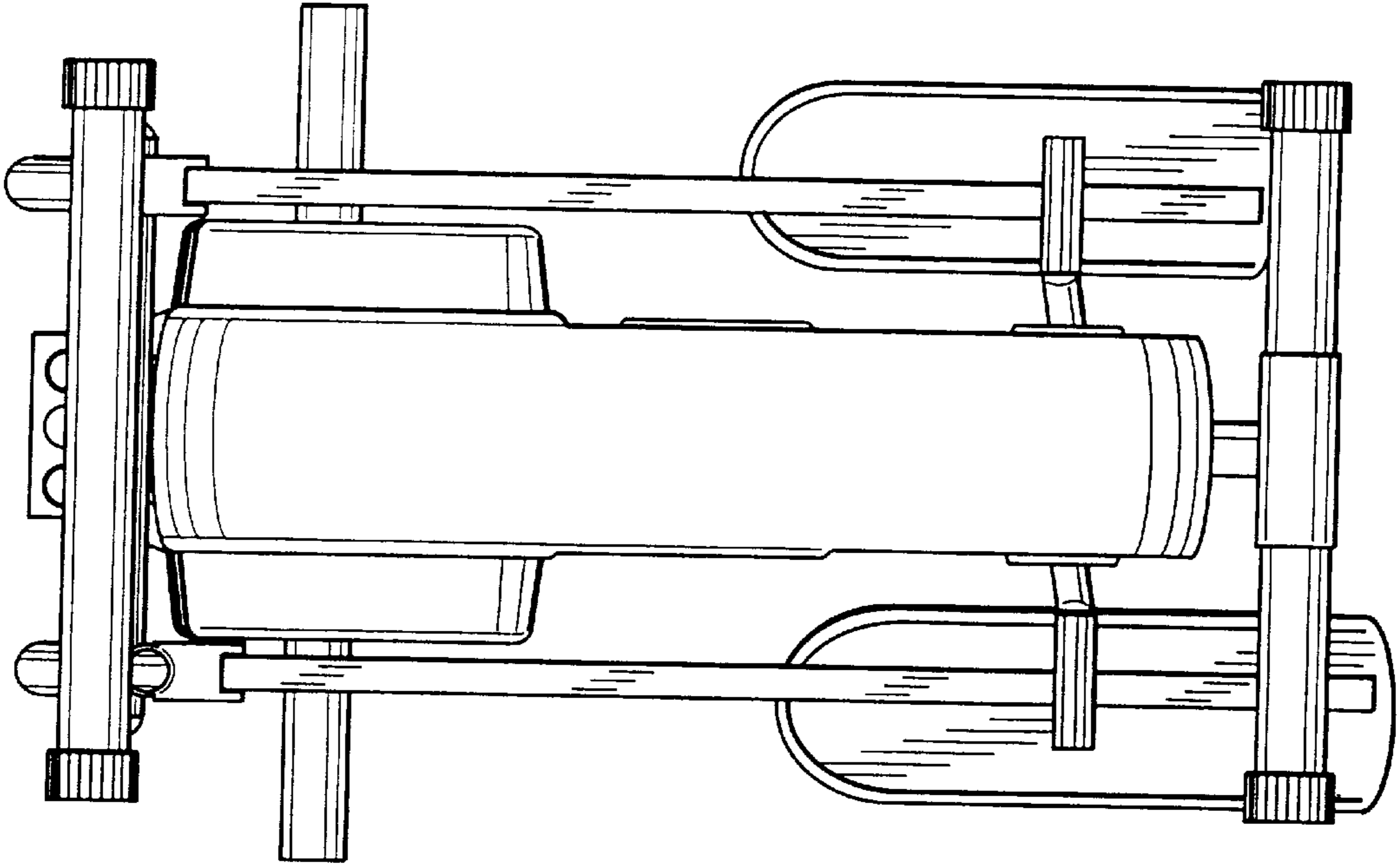


FIG. 7

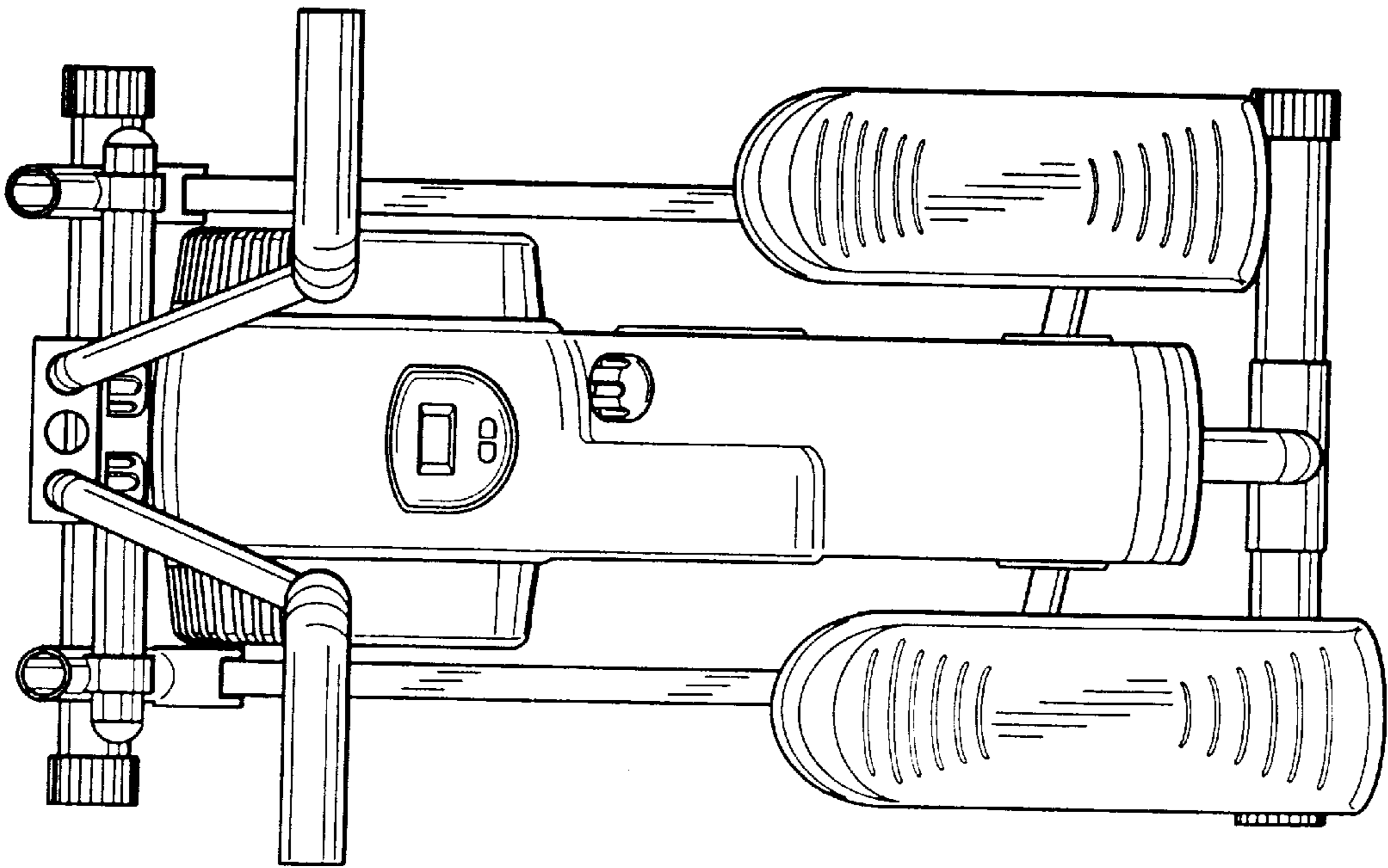


FIG. 6