



US00D458976S

(12) **United States Design Patent**
Perez

(10) **Patent No.:** **US D458,976 S**
(45) **Date of Patent:** **** Jun. 18, 2002**

(54) **COMBINED BUTTERFLY DOLL,
CONTAINER AND HEADPHONE SET**

(76) **Inventor:** **Lucia Perez, 2425 SW. 82nd Ave.,
Miami, FL (US) 33155**

(**) **Term:** **14 Years**

(21) **Appl. No.:** **29/116,681**

(22) **Filed:** **Jan. 7, 2000**

(51) **LOC (7) Cl.** **21-01**

(52) **U.S. Cl.** **D21/626; D21/516; D21/627;
D21/650; D3/271**

(58) **Field of Search** **D21/627, 626,
D21/650, 589, 516; D11/160, 162; D3/271;
D14/205, 192; D9/329; 446/268, 27, 76**

(56) **References Cited**

U.S. PATENT DOCUMENTS

D58,300 S	*	7/1921	Allison	D21/626
D89,800 S	*	5/1933	Snowman	D21/626
D144,742 S	*	5/1946	Stewart	D21/626
D146,661 S	*	4/1947	Jansen	D21/626
D182,557 S	*	4/1958	Wilkening	D21/589
3,080,679 A		3/1963	Hardigan		
3,162,980 A		12/1964	Hellman		
3,888,233 A		6/1975	Ware		

D303,685 S		9/1989	Vafladis		
4,878,871 A		11/1989	Noto		
D354,488 S	*	1/1995	Hutcheson	D14/192
5,474,484 A		12/1995	Lemelle		
D430,140 S	*	8/2000	Roman	D14/205

* cited by examiner

Primary Examiner—Lucy Lieberman

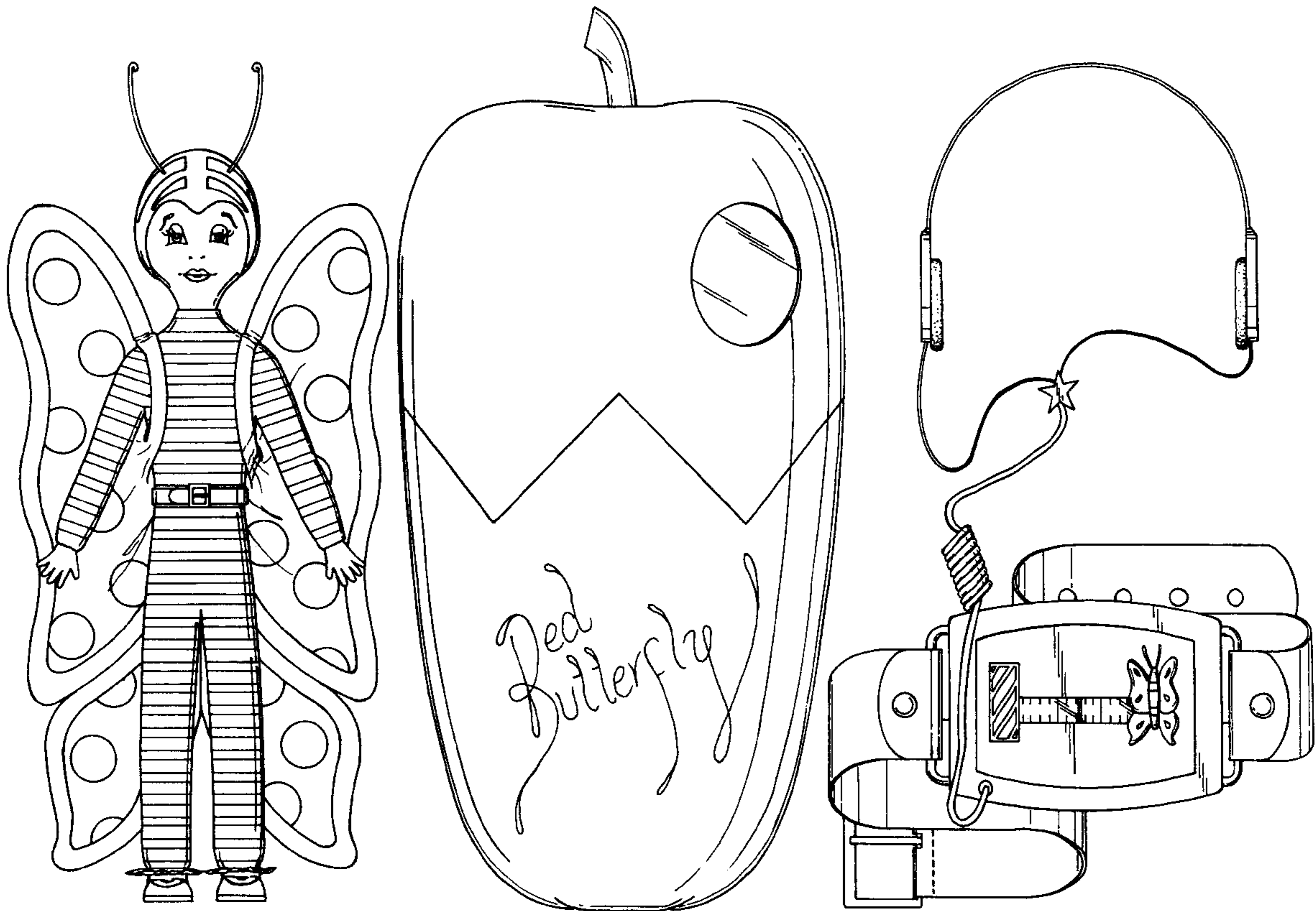
(57) **CLAIM**

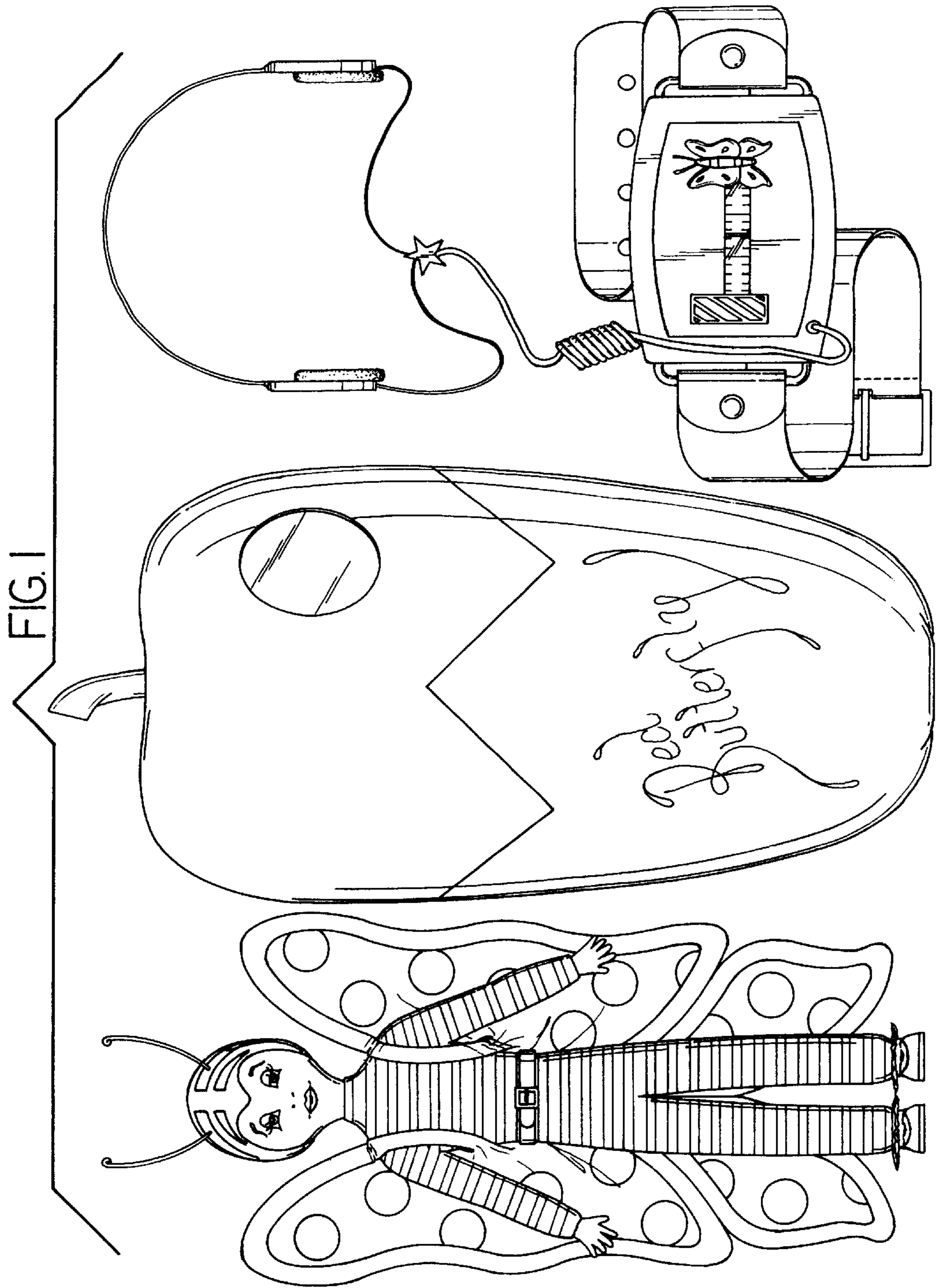
The ornamental design for a combined butterfly doll, container and headphone set, as shown and described.

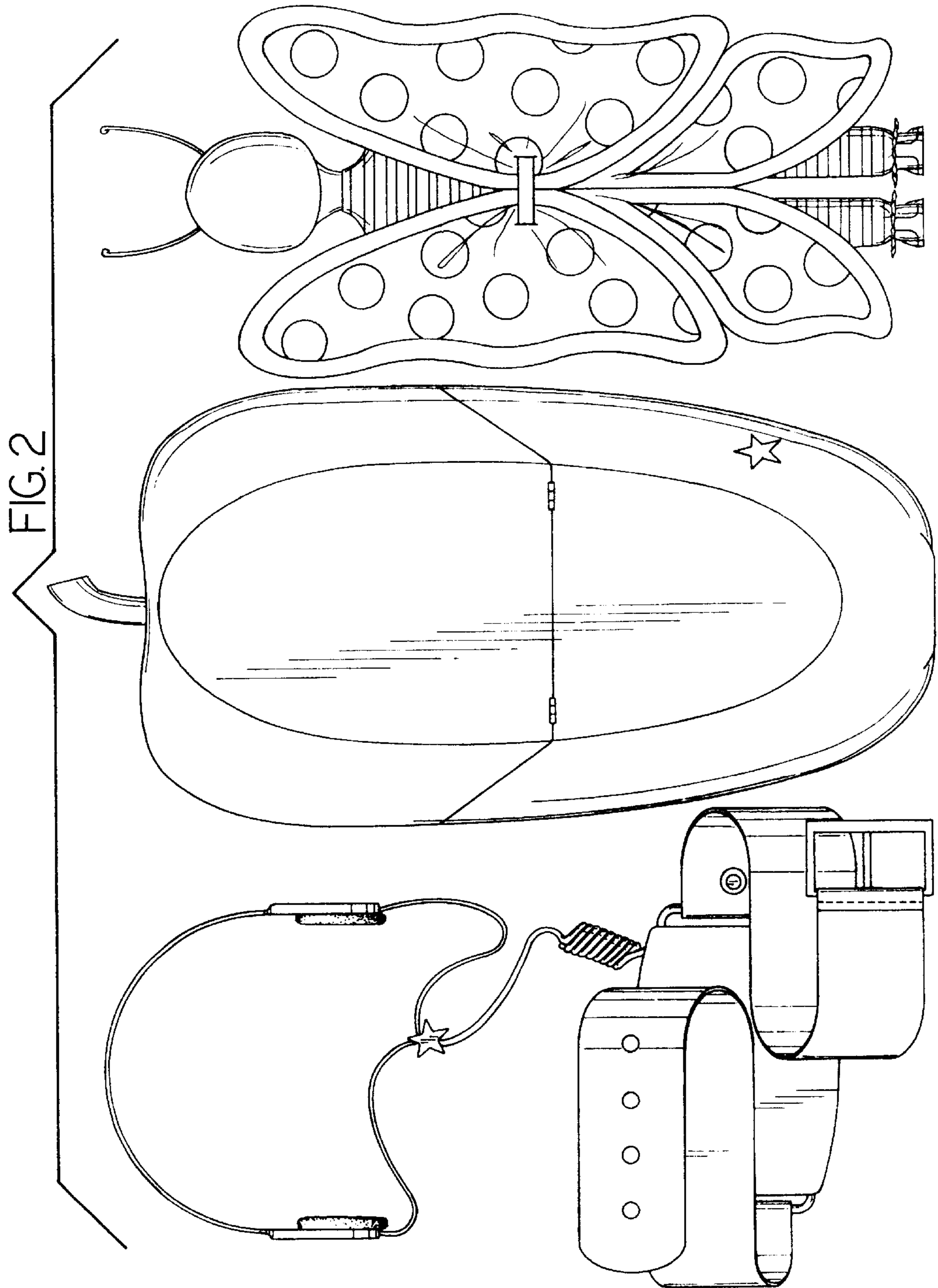
DESCRIPTION

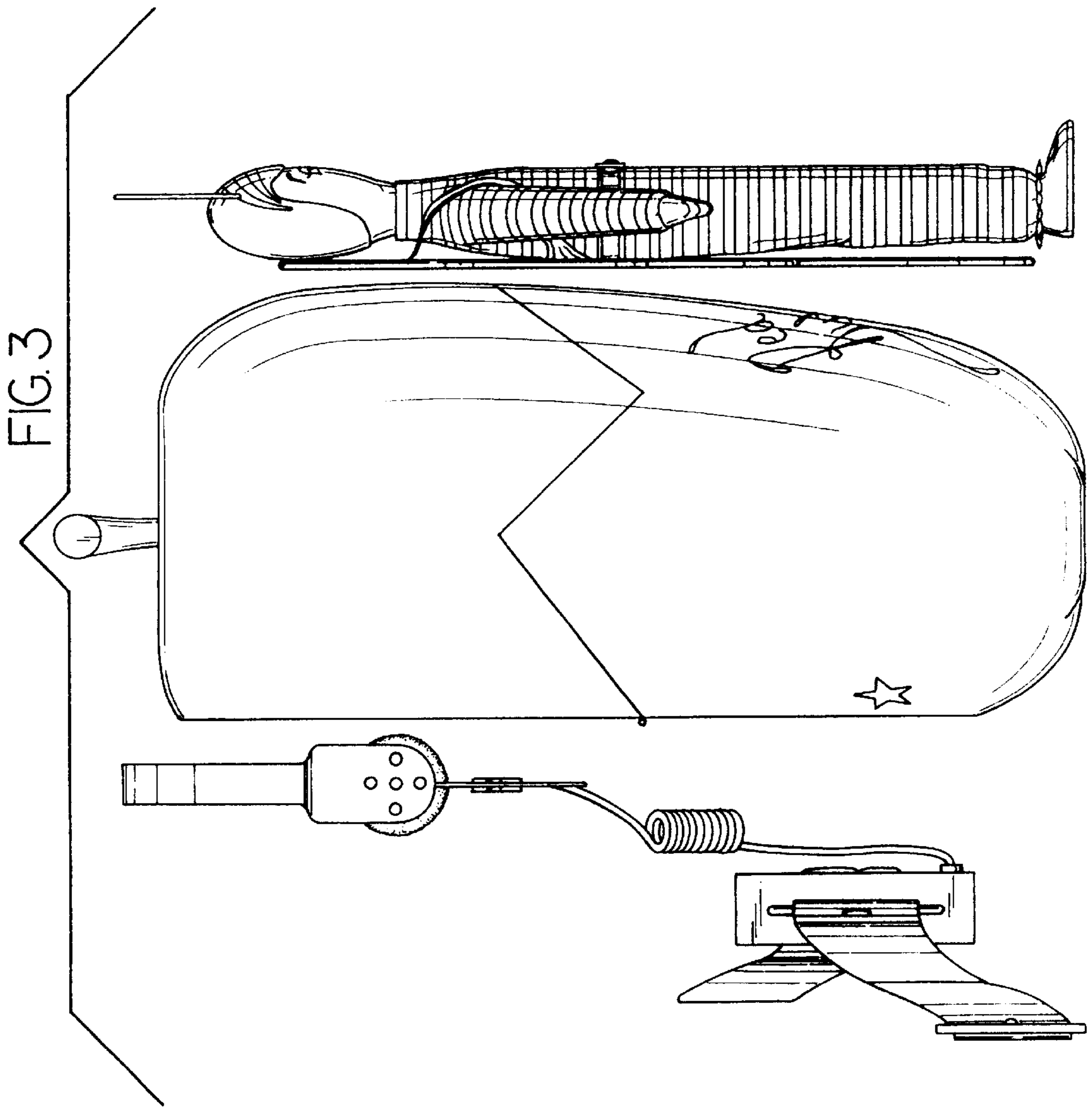
FIG. 1 is a front elevational view of a combined butterfly doll, container and headphone set of the present invention; FIG. 2 is a rear elevational view of the combined butterfly doll, container and headphone set of FIG. 1; FIG. 3 is a left side elevational view of the combined butterfly doll, container and headphone set of FIG. 1; FIG. 4 is a right side elevational view of the combined butterfly doll, container and headphone set of FIG. 1; FIG. 5 is a top plan view of the combined butterfly doll, container and headphone set of FIG. 1; and, FIG. 6 is a bottom plan view of the combined butterfly doll, container and headphone set of FIG. 1.

1 Claim, 6 Drawing Sheets









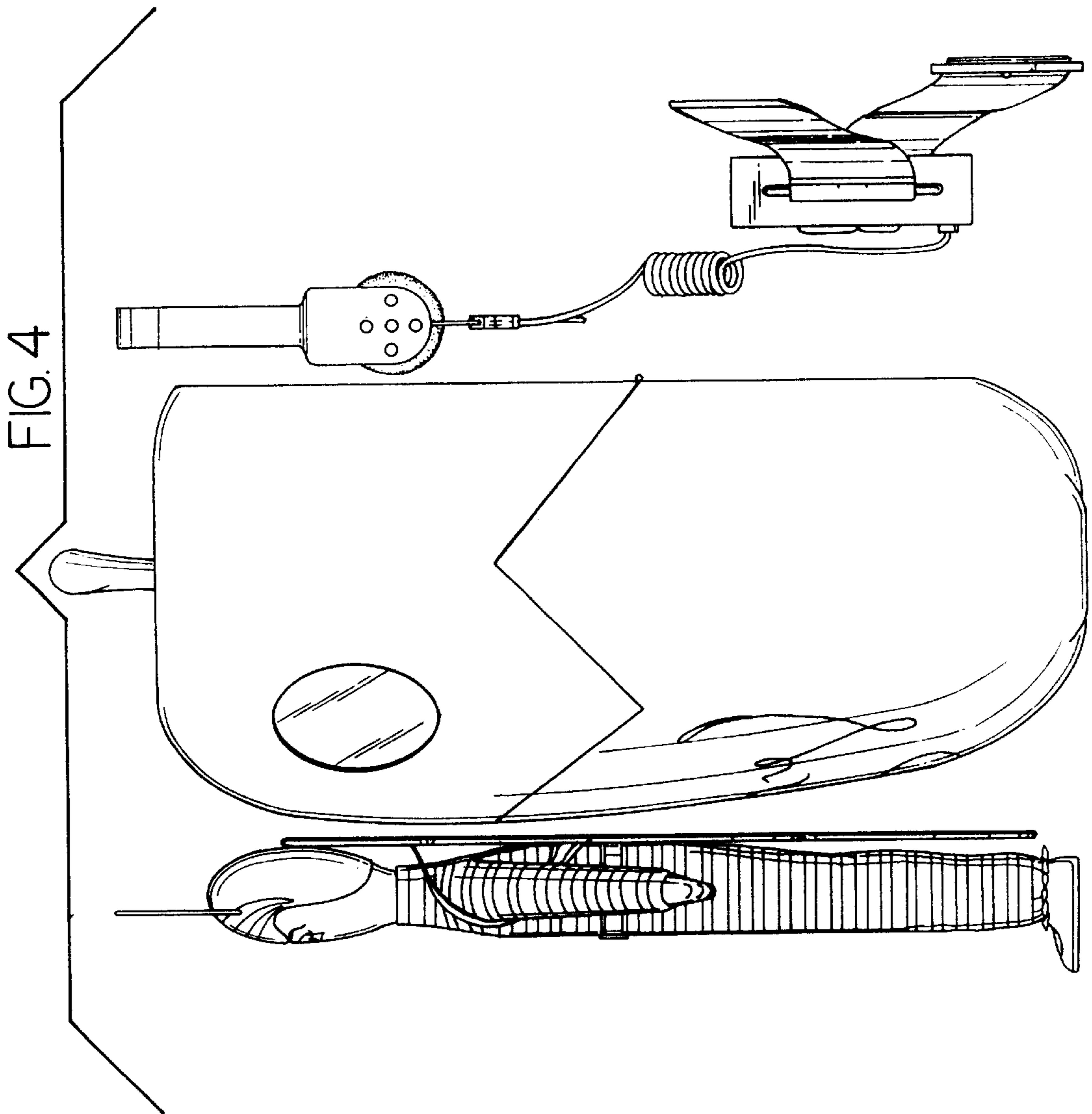


FIG. 5

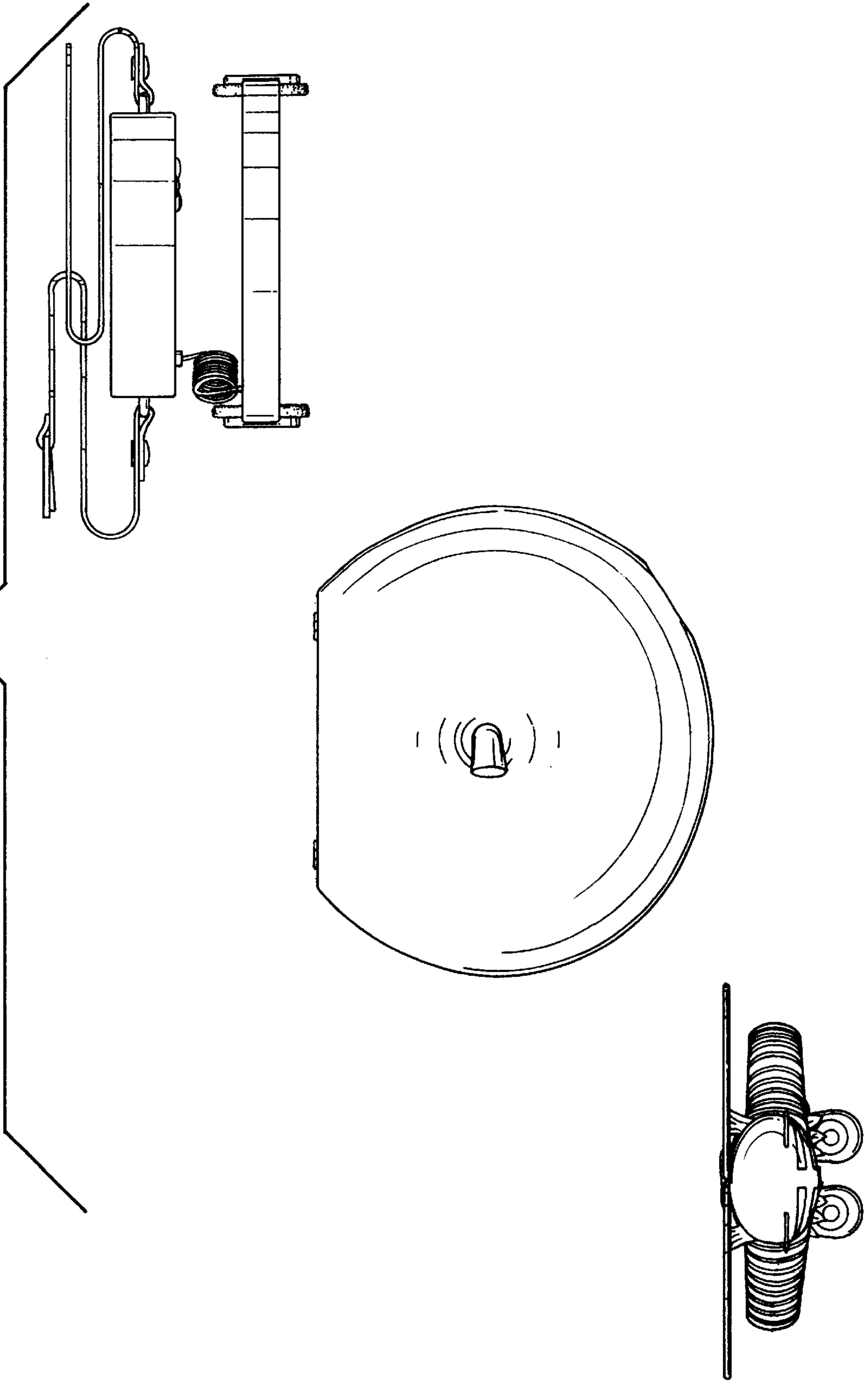


FIG.6

