



US00D458969S

(12) **United States Design Patent**
Lakin

(10) **Patent No.:** **US D458,969 S**

(45) **Date of Patent:** **** Jun. 18, 2002**

(54) **FLUSH VALVE ADVERTISING DISPLAY**

Primary Examiner—Caron D. Veynar

(74) *Attorney, Agent, or Firm*—Henderson & Sturm LLP

(76) **Inventor:** **Donald D. Lakin**, 6302 Western Ave.,
Omaha, NE (US) 68132

(57) **CLAIM**

(**) **Term:** **14 Years**

The ornamental design for a flush valve advertising display,
as shown and described.

(21) **Appl. No.:** **29/133,567**

(22) **Filed:** **Nov. 30, 2000**

DESCRIPTION

(51) **LOC (7) Cl.** **20-03**

FIG. 1 is a perspective view of the flush valve advertising display showing my new design;

(52) **U.S. Cl.** **D20/10**

FIG. 2 is front elevational view thereof;

(58) **Field of Search** D20/10, 15, 18,
D20/19, 21, 99, 43; 40/307, 331, 382, 607,
661

FIG. 3 is rear elevational view thereof;

FIG. 4 is a left side elevational view thereof;

FIG. 5 is a right side elevational view thereof;

FIG. 6 is a top plan view thereof; and,

FIG. 7 is a bottom plan view thereof.

(56) **References Cited**

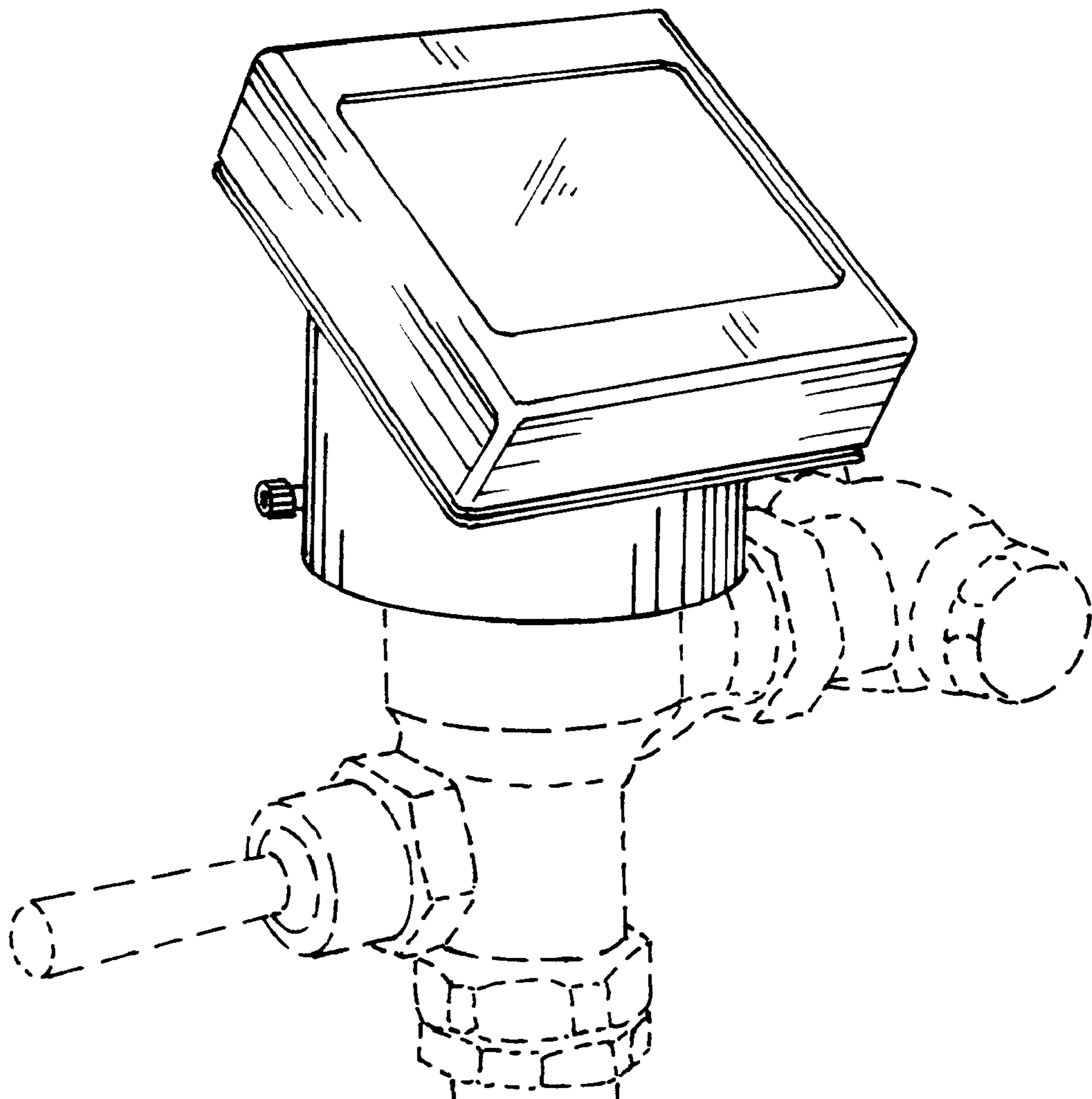
U.S. PATENT DOCUMENTS

- D247,264 S * 2/1978 Smith
- 5,671,558 A * 9/1997 Lakin 40/661
- D388,467 S * 12/1997 Casiello D20/43

The broken lines shown in FIG. 1 are for illustrative purposes only and form no part of the claimed design.

* cited by examiner

1 Claim, 1 Drawing Sheet



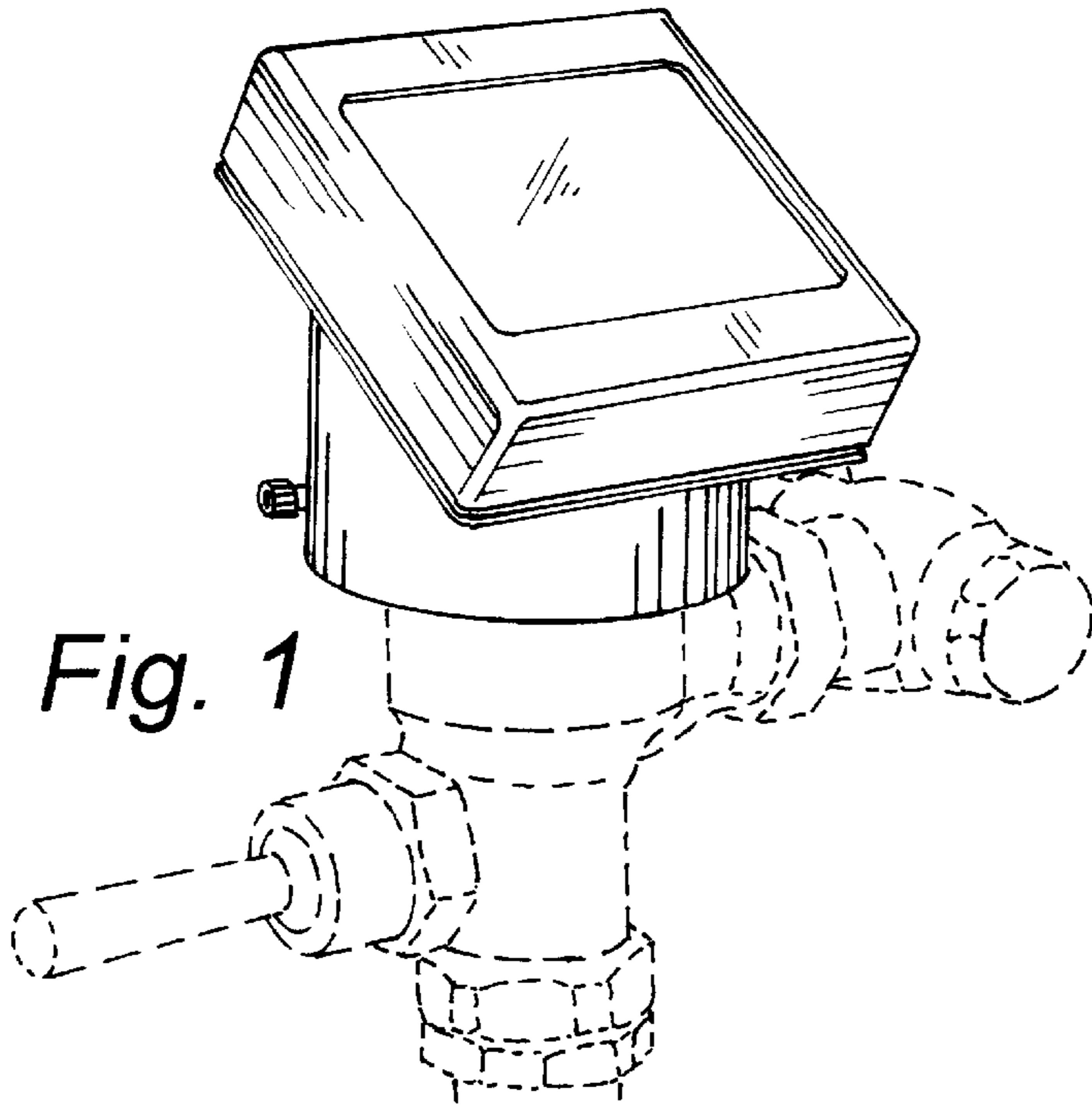


Fig. 1

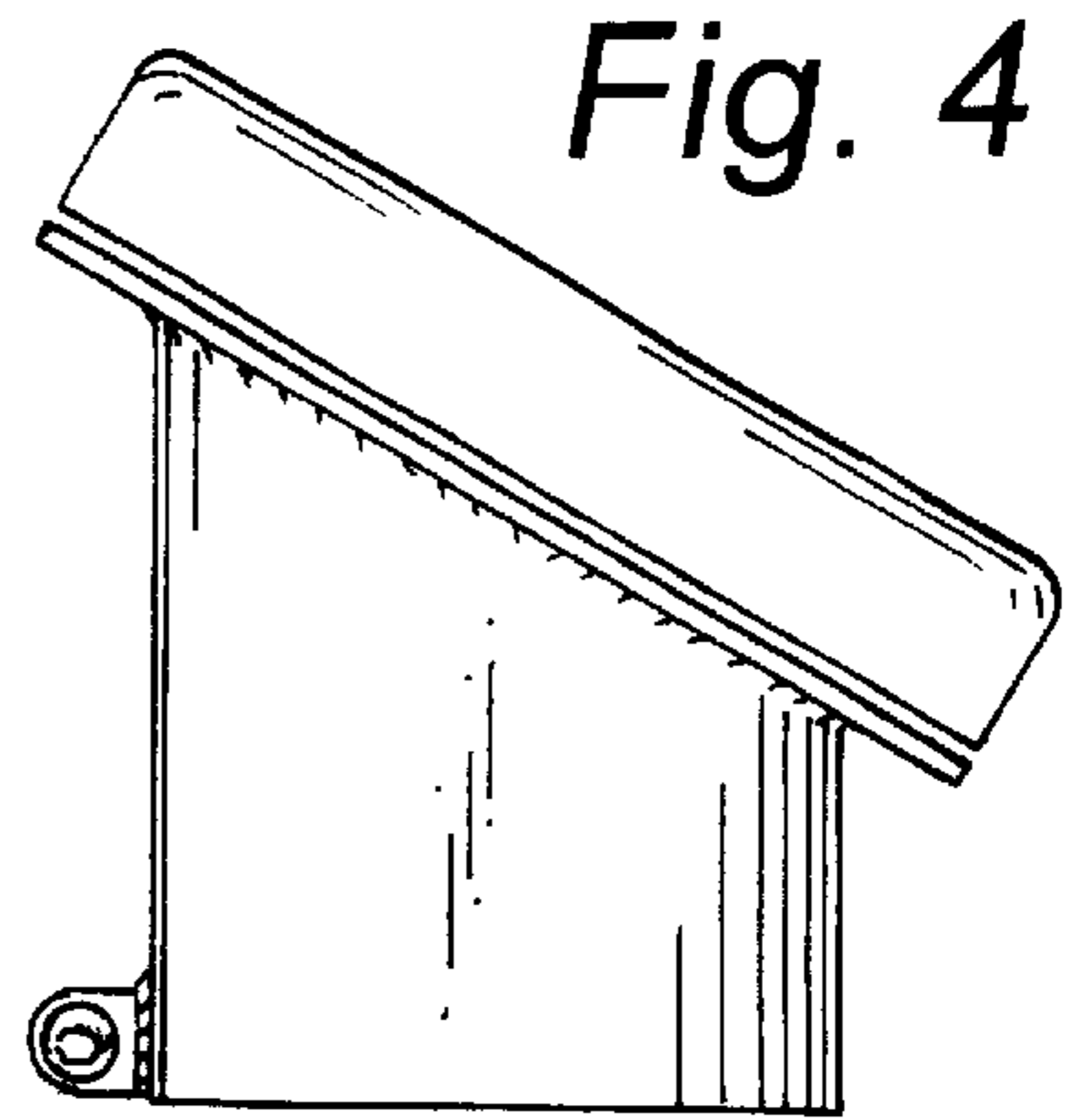


Fig. 4

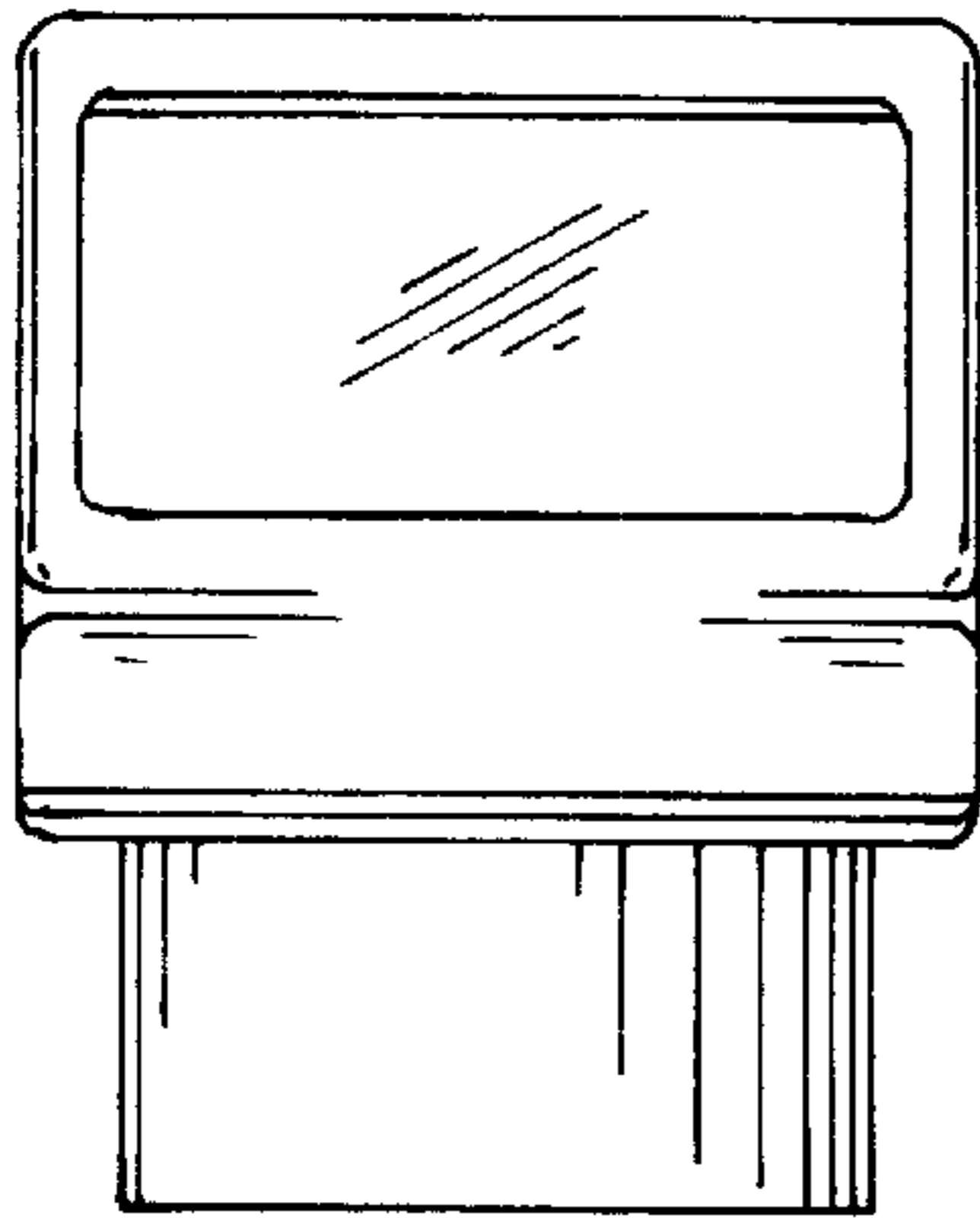


Fig. 2

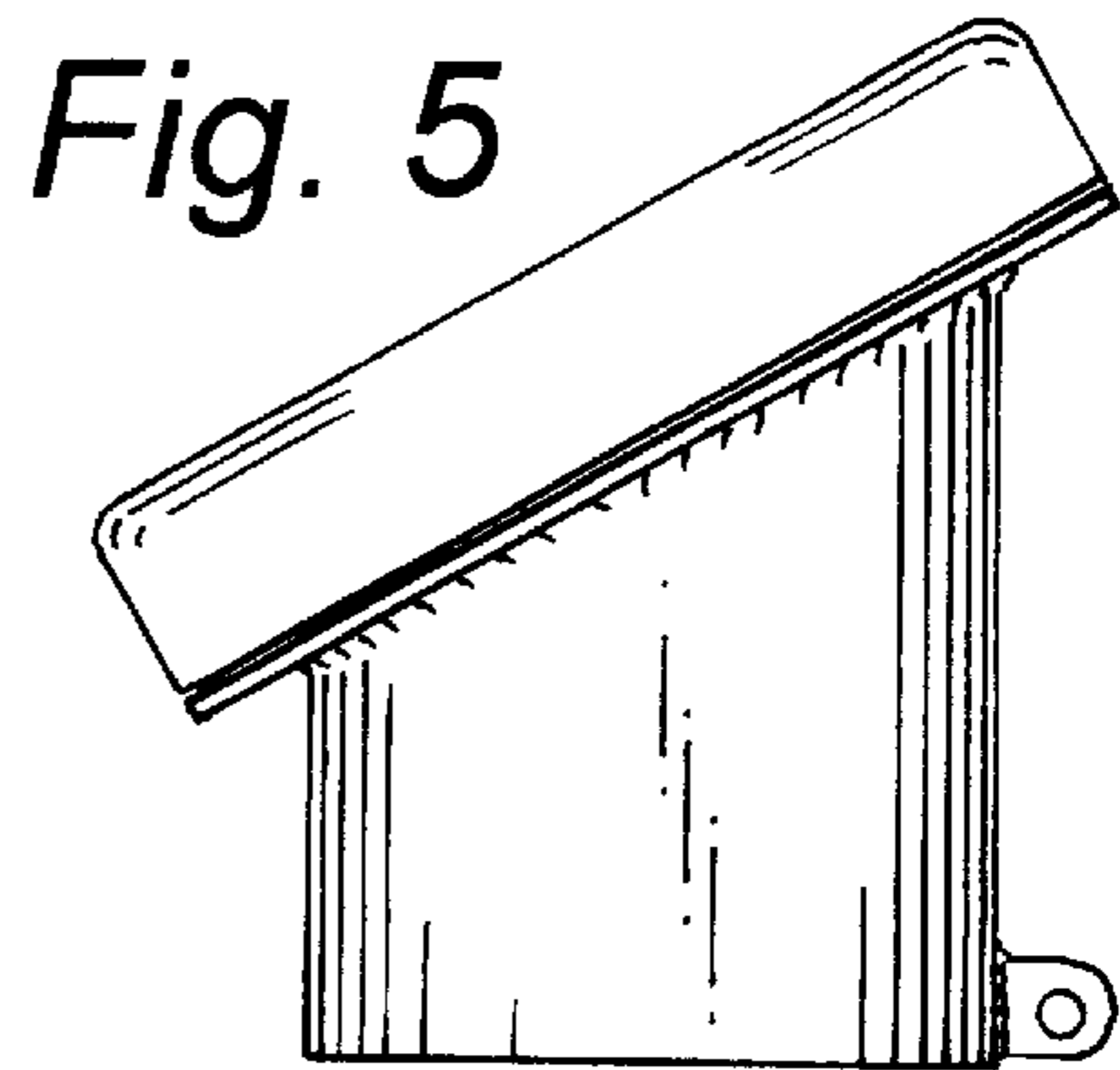


Fig. 5

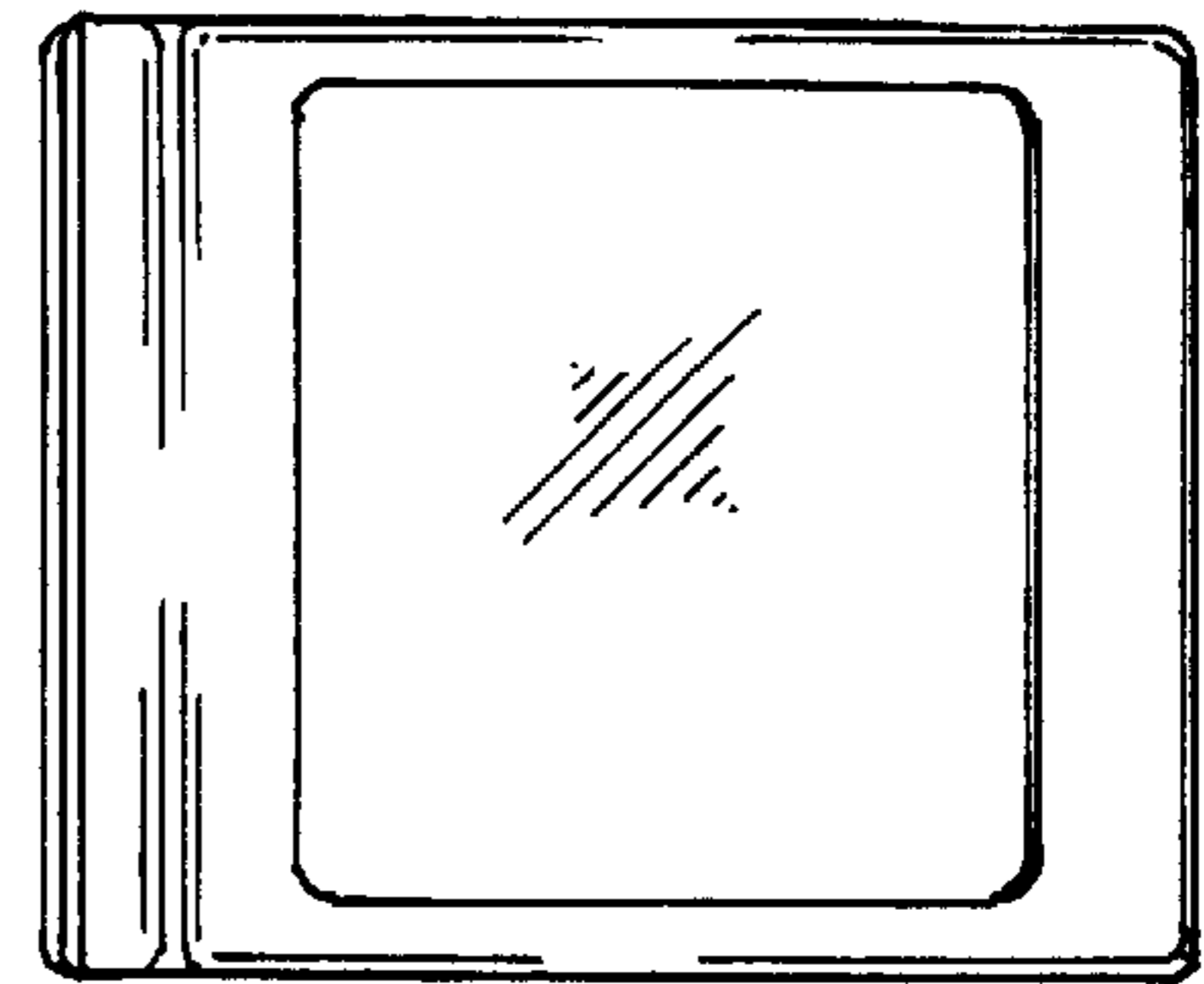


Fig. 6

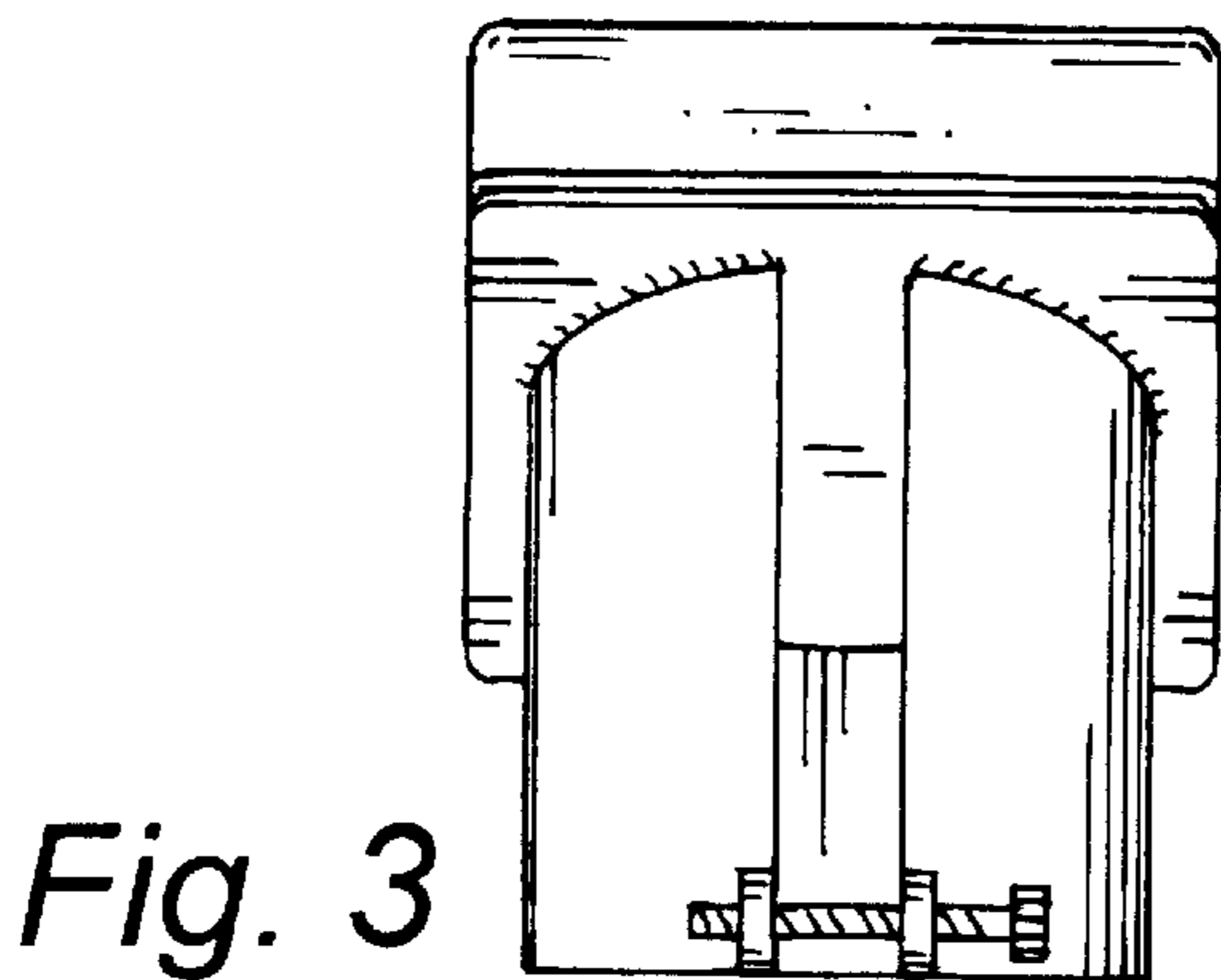


Fig. 3

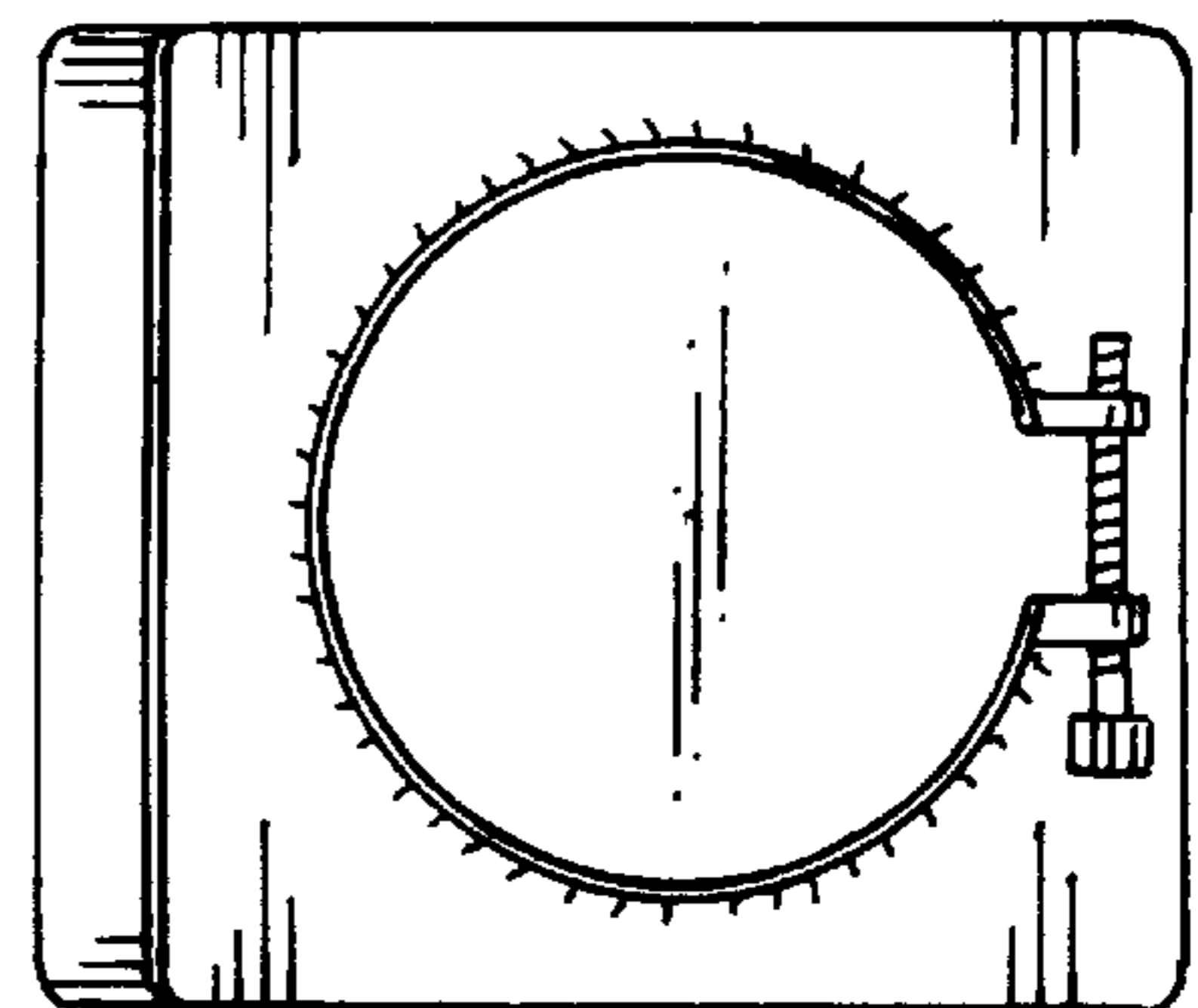


Fig. 7