



US00D458968S

(12) **United States Design Patent**
Taxon

(10) **Patent No.:** **US D458,968 S**

(45) **Date of Patent:** **** Jun. 18, 2002**

(54) **BILL DISPENSER**

(75) Inventor: **Thomas N. Taxon**, Henderson, NV
(US)

(73) Assignee: **Bally Gaming, Inc.**, Las Vegas, NV
(US)

(**) Term: **14 Years**

(21) Appl. No.: **29/140,999**

(22) Filed: **Apr. 27, 2001**

D264,763 S	*	6/1982	Freijd	D99/28
D282,937 S	*	3/1986	Di Benedetto et al.	D20/1
D348,263 S	*	6/1994	Veeneman	D14/130
5,813,914 A	*	9/1998	McKay et al.	312/311
D415,535 S	*	10/1999	Heidel	D21/385
D444,608 S	*	7/2001	Kit	463/46

* cited by examiner

Primary Examiner—Paula A. Mortimer

(74) *Attorney, Agent, or Firm*—Brown Raysman Millstein
Felder & Steiner LLP

Related U.S. Application Data

(62) Division of application No. 29/084,558, filed on Mar. 5,
1998, now Pat. No. Des. 441,400.

(51) **LOC (7) Cl.** **20-01**

(52) **U.S. Cl.** **D20/8; D99/28**

(58) **Field of Search** D20/1, 8, 9; 194/206,
194/207, 350; 209/534, 546, 567; 463/20,
27, 46, 36; 273/142 R, 143 R, 138.1, 138.2;
D21/385, 369; 312/311, 328; D99/28, 35;
235/379, 380; D14/130

(56) **References Cited**

U.S. PATENT DOCUMENTS

3,768,616 A * 10/1973 Dykehouse et al. 194/206

(57) **CLAIM**

The ornamental design for a bill dispenser, as shown and
described.

DESCRIPTION

FIG. 1 is a perspective view of a bill dispenser showing my
new design.

The broken line drawing of the gaming machine is shown for
illustrative purposes only and forms no part of the claimed
design.

1 Claim, 1 Drawing Sheet

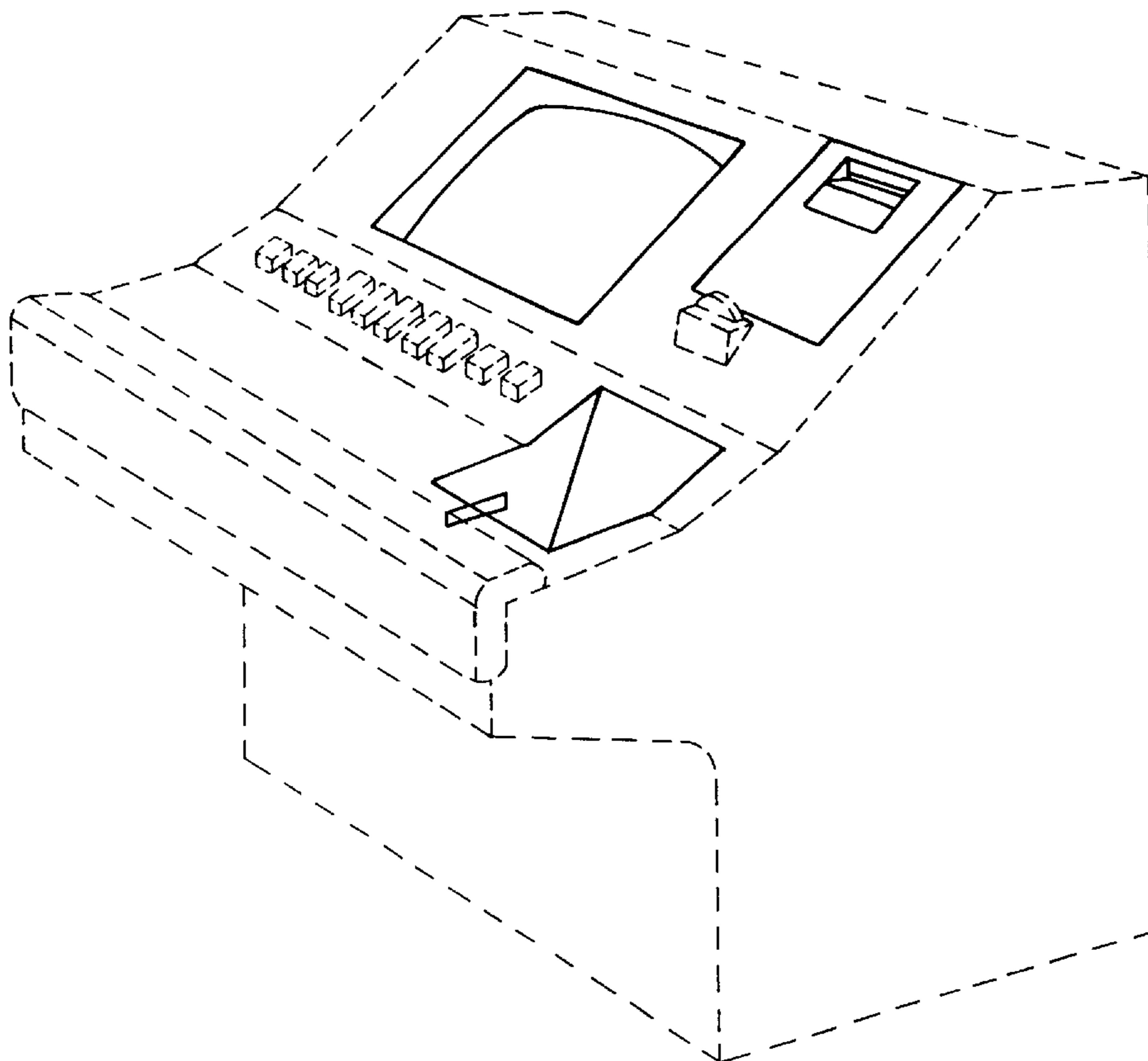


FIG. 1

