



US00D458963S

(12) **United States Design Patent**
Caamaño et al.

(10) **Patent No.:** **US D458,963 S**

(45) **Date of Patent:** **** Jun. 18, 2002**

(54) **PRINTER**

(75) Inventors: **Ventura Caamaño; Jordi Gimenez;**
Antonio Flores; Josep Casadella, all
of Barcelona (ES)

(73) Assignee: **Hewlett-Packard Company,** Palo Alto,
CA (US)

(**) Term: **14 Years**

(21) Appl. No.: **29/108,611**

(22) Filed: **Jul. 30, 1999**

(30) **Foreign Application Priority Data**

Feb. 4, 1999 (ES) 144675

(51) **LOC (7) Cl.** **18-02**

(52) **U.S. Cl.** **D18/53**

(58) **Field of Search** D18/50-56; 346/136,
346/145; 395/103

(56) **References Cited**

U.S. PATENT DOCUMENTS

D340,066 S * 10/1993 Iwanaga D18/53

D347,239 S * 5/1994 Okamoto et al. D18/53

D407,740 S * 4/1999 Ina et al. D18/53

D408,848 S * 4/1999 Flores et al. D18/53

* cited by examiner

Primary Examiner—Melody N. Brown

(57) **CLAIM**

The ornamental design for a printer, as shown and described.

DESCRIPTION

FIG. 1 is a front elevation view of a printer showing our new design;

FIG. 2 is a top plan view of the printer of FIG. 1;

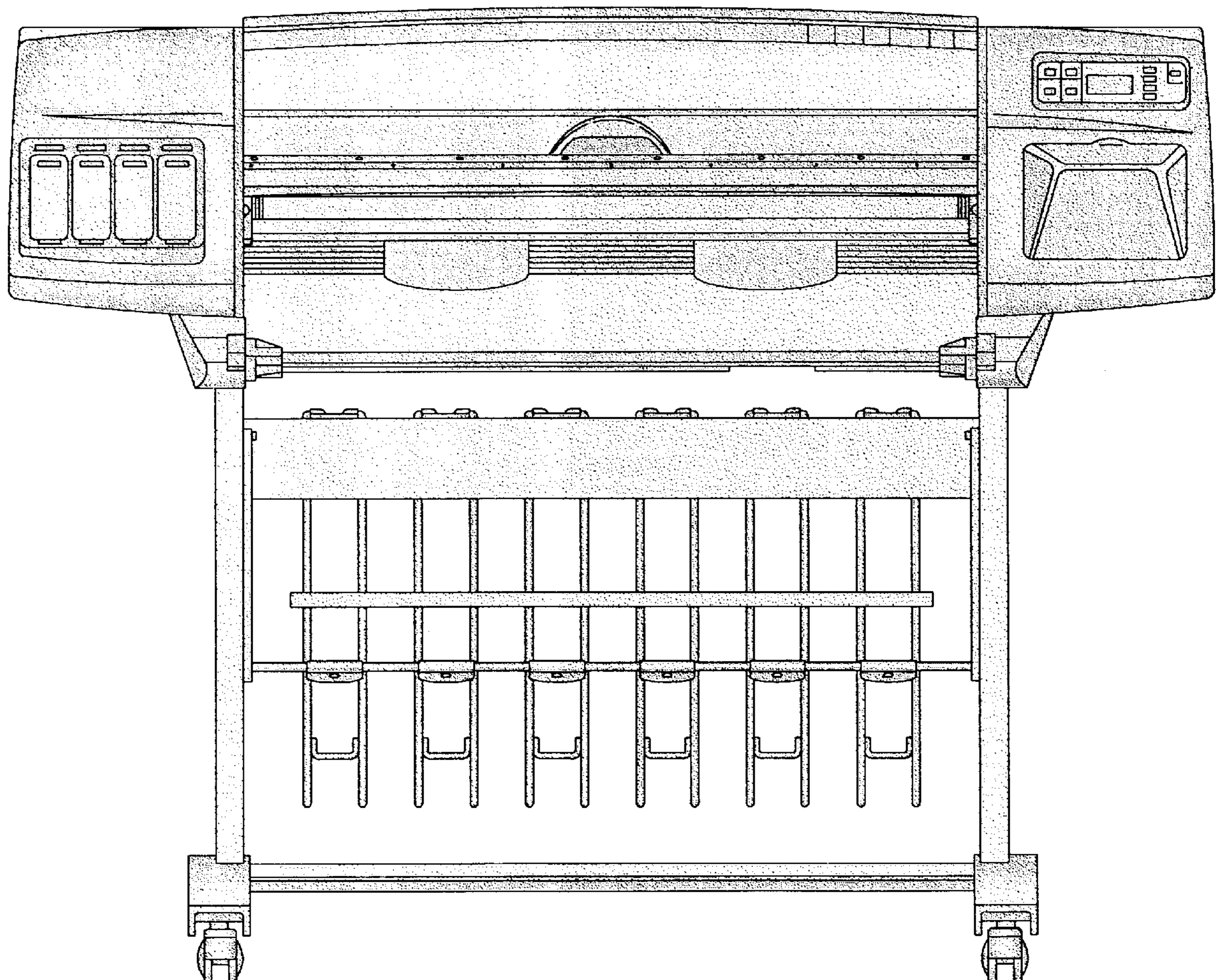
FIG. 3 is a right side elevation view of the printer of FIG. 1;

FIG. 4 is a left side elevation view of the printer of FIG. 1;

FIG. 5 is a rear elevation view of the printer of FIG. 1; and,

FIG. 6 is a bottom plan view of the printer of FIG. 1.

1 Claim, 6 Drawing Sheets



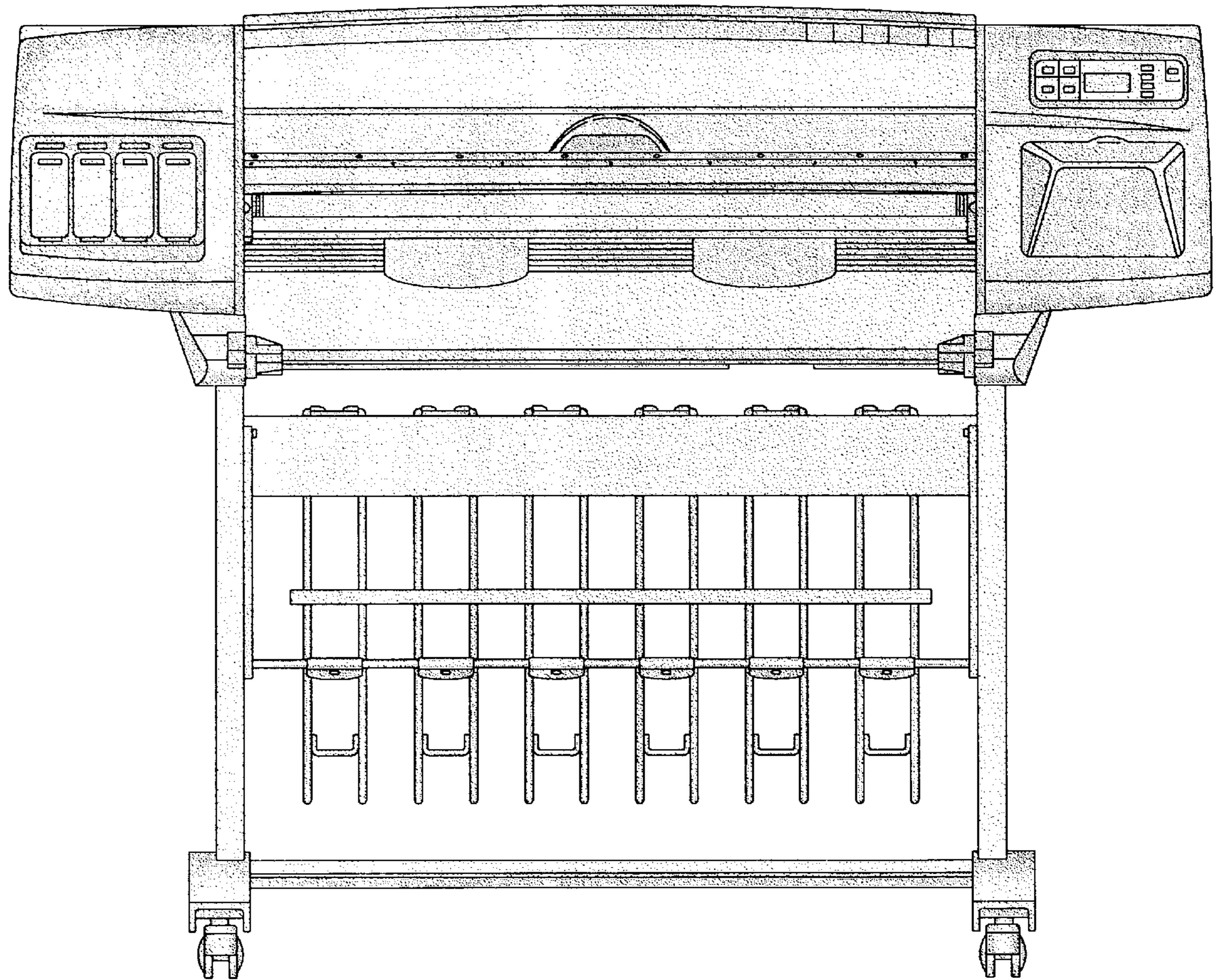


FIG. 1

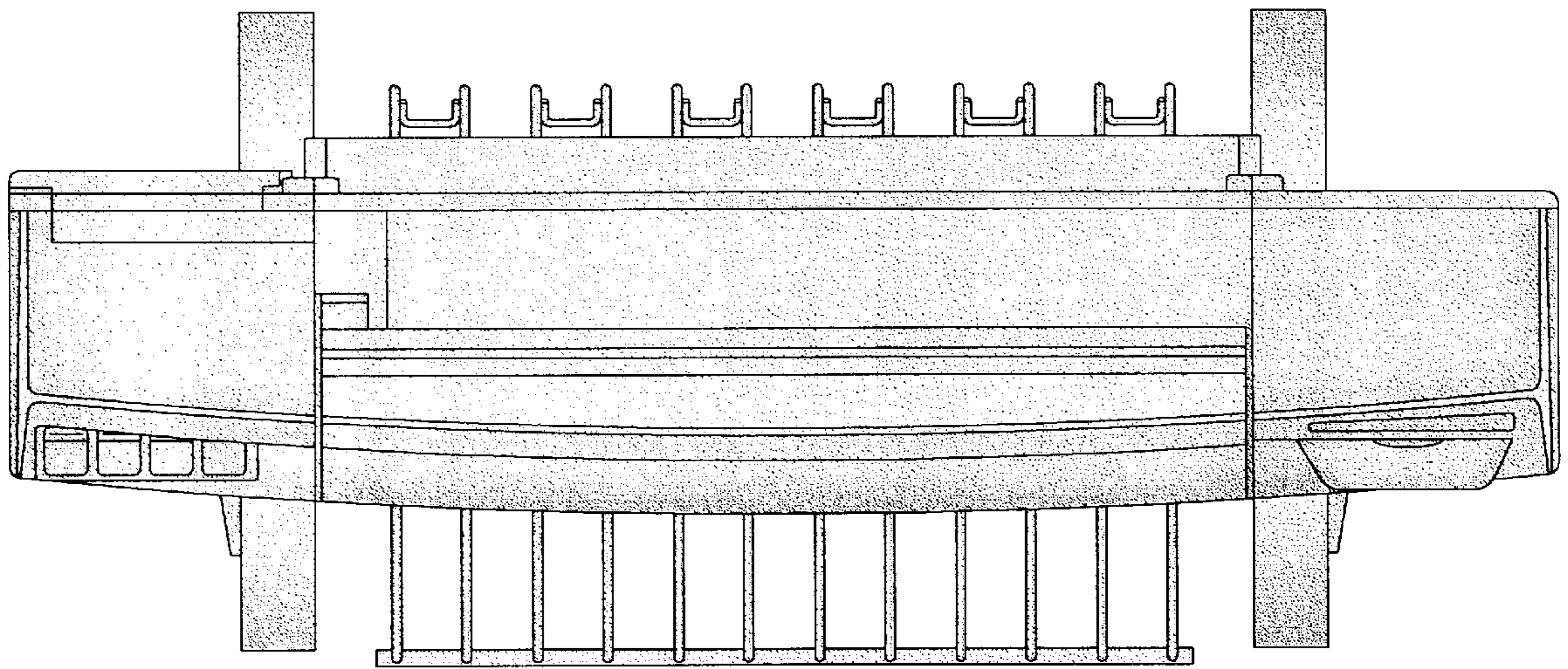


FIG. 2

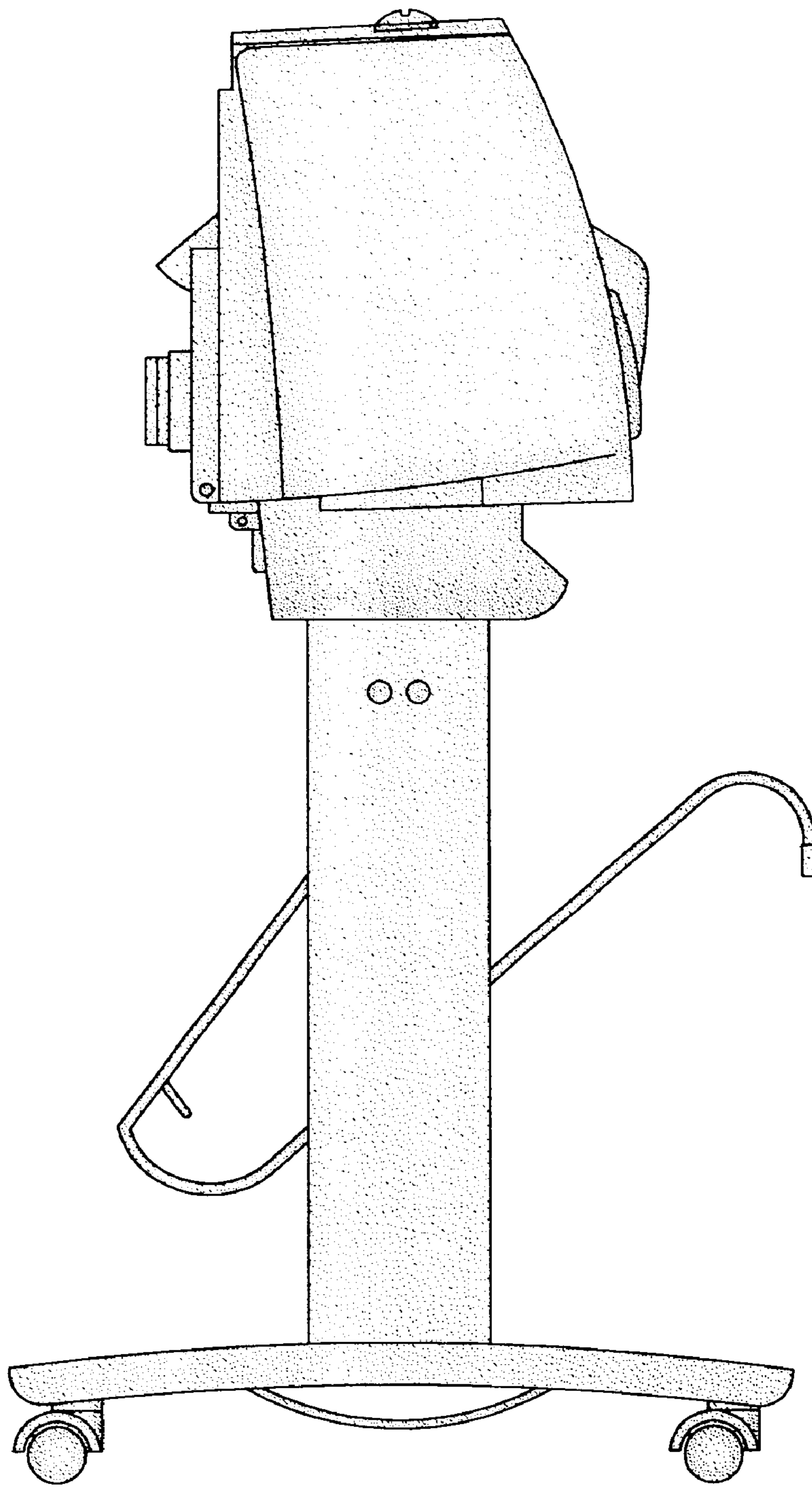


FIG. 3

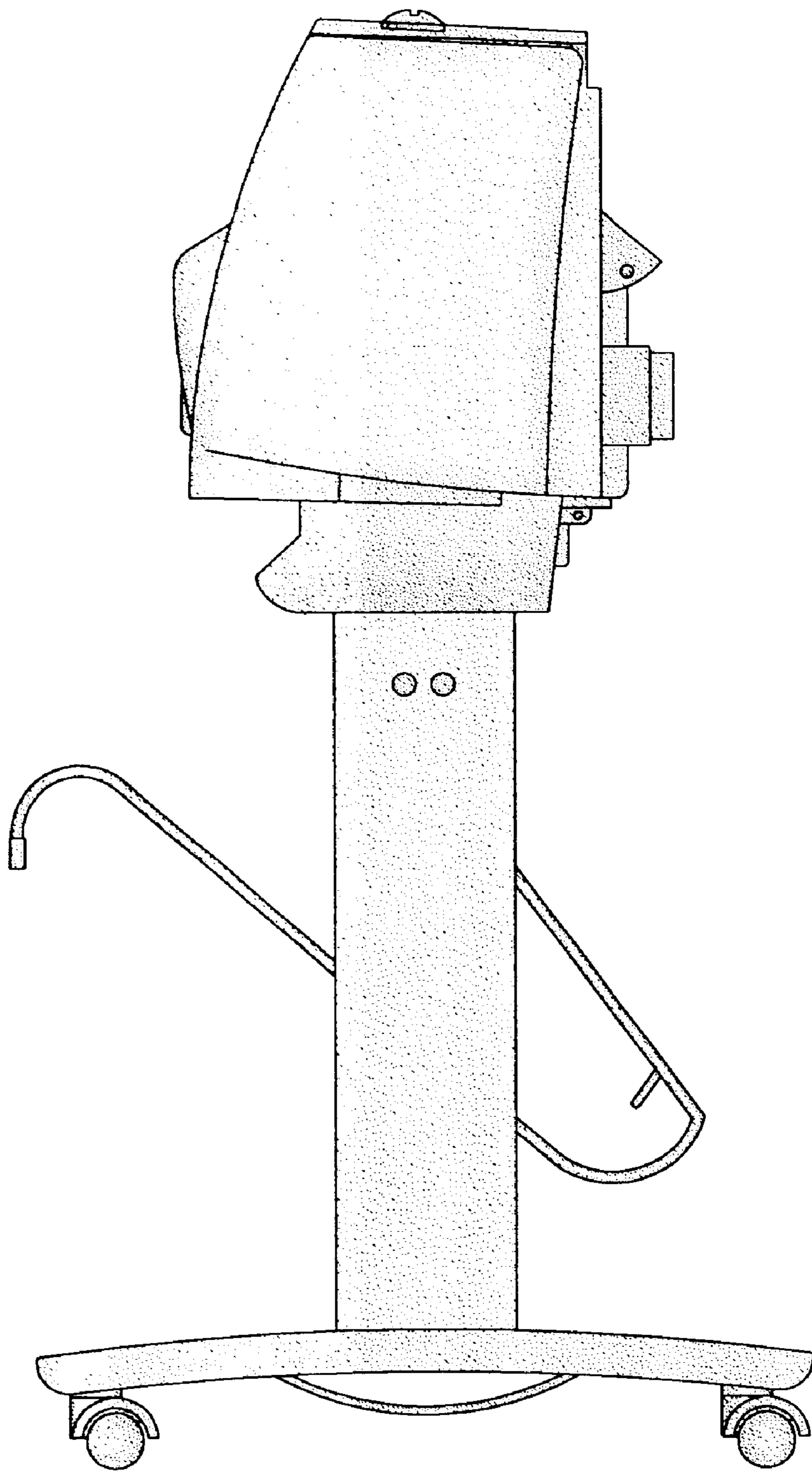


FIG. 4

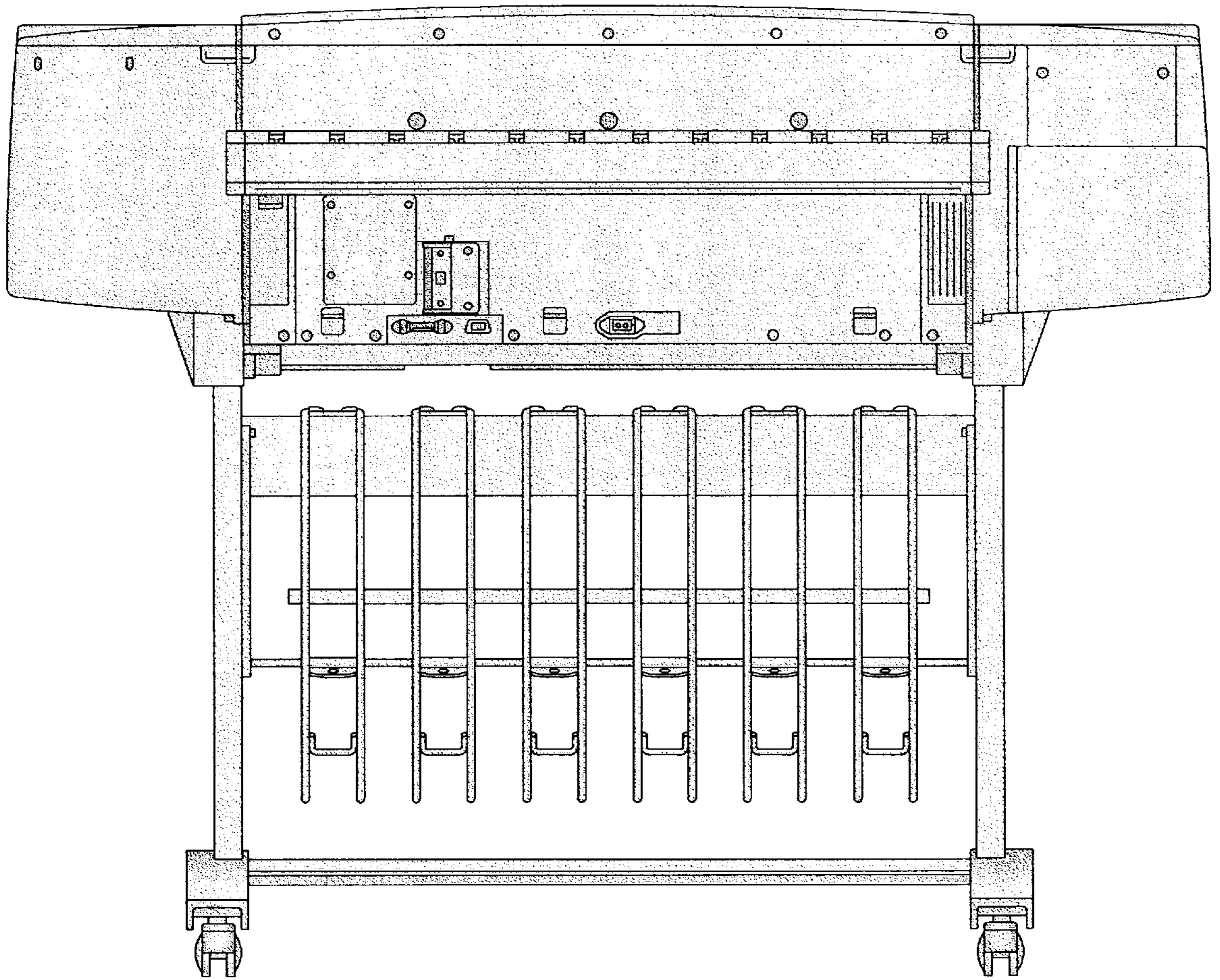


FIG. 5

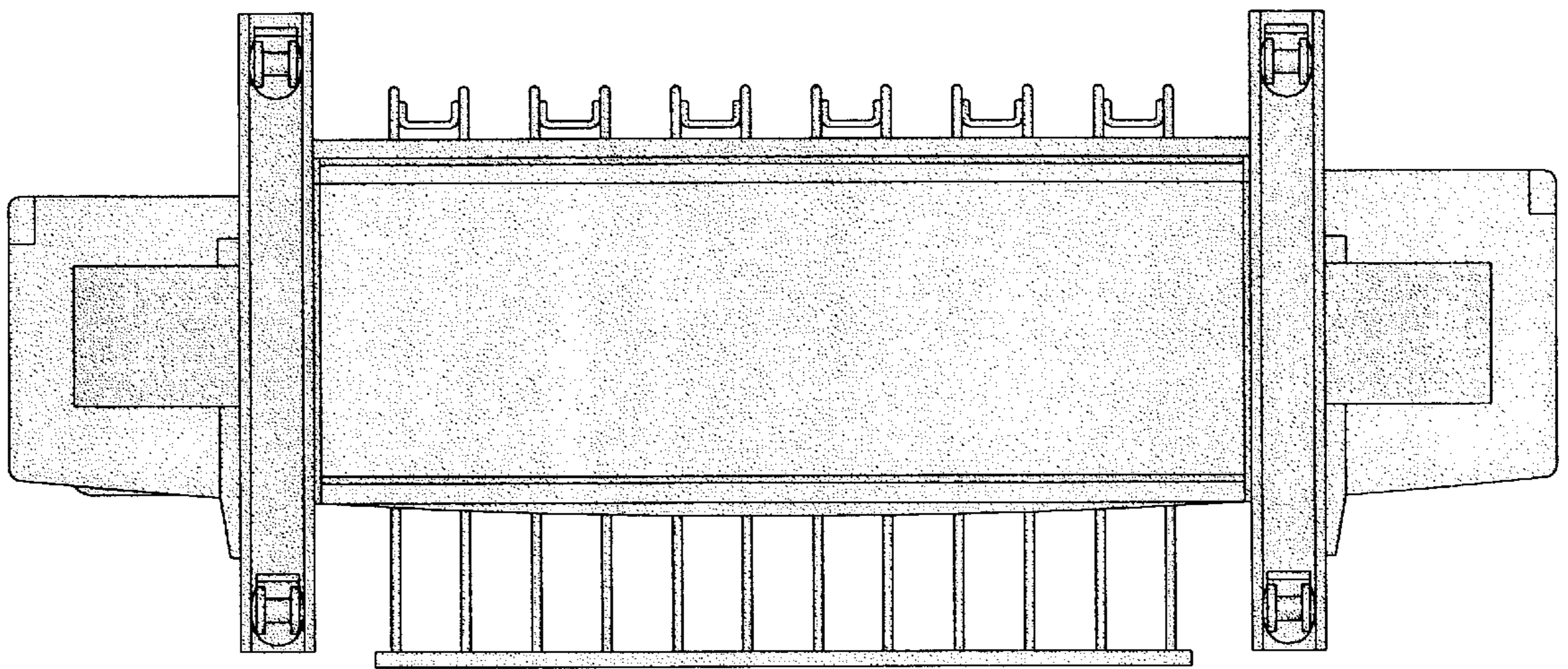


FIG. 6