



US00D458959S

(12) **United States Design Patent**
Tanda

(10) **Patent No.:** **US D458,959 S**

(45) **Date of Patent:** **** Jun. 18, 2002**

(54) **TONER CONTAINER**

(75) **Inventor:** **Tetsuo Tanda, Osaka (JP)**

(73) **Assignee:** **Kyocera Corporation, Kyoto (JP)**

(**) **Term:** **14 Years**

(21) **Appl. No.:** **29/148,060**

(22) **Filed:** **Sep. 10, 2001**

(30) **Foreign Application Priority Data**

Mar. 16, 2001 (JP) 2001-007037

(51) **LOC (7) Cl.** **16-03**

(52) **U.S. Cl.** **D18/43**

(58) **Field of Search** D18/36, 40, 43,
D18/56; 222/DIG. 1; 399/24-28, 61, 99,
106, 111, 262

(56) **References Cited**

U.S. PATENT DOCUMENTS

D361,341 S * 8/1995 Komaki et al. D18/43

D365,846 S * 1/1996 Nishimura D18/43
D366,275 S * 1/1996 Komaki D18/43
D398,023 S * 9/1998 Okada D18/43
D412,932 S * 8/1999 Okada D18/43

* cited by examiner

Primary Examiner—Caron D. Veynar

(74) *Attorney, Agent, or Firm*—Hogan & Hartson, L.L.P.

(57) **CLAIM**

The ornamental design for a toner container, shown and described.

DESCRIPTION

FIG. 1 is a perspective view of the top, front and right side of a toner container showing my new design;

FIG. 2 is a front view thereof;

FIG. 3 is a rear view thereof;

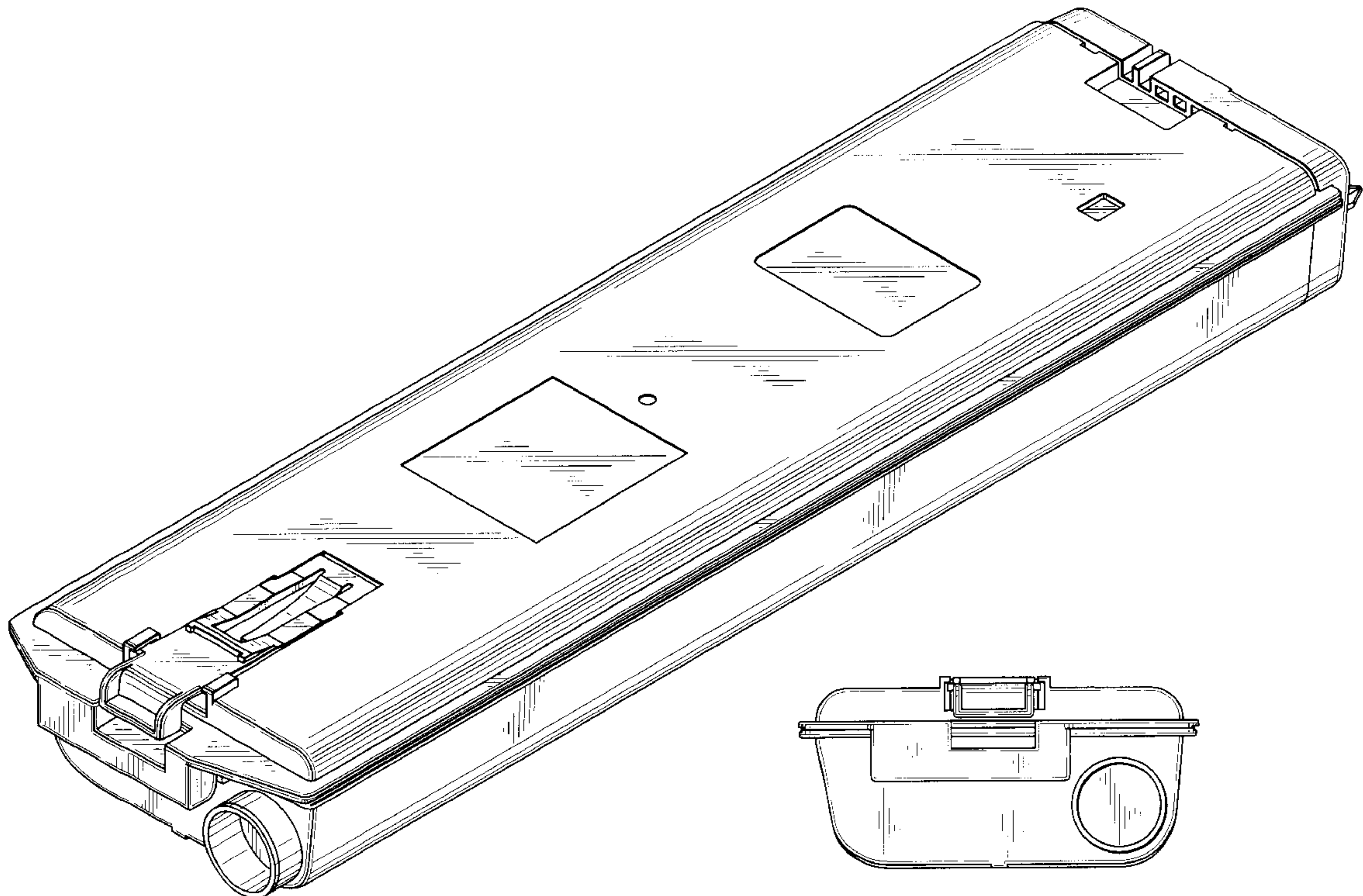
FIG. 4 is a right side view thereof;

FIG. 5 is a left side view thereof;

FIG. 6 is a top plan view thereof; and,

FIG. 7 is a bottom view thereof.

1 Claim, 3 Drawing Sheets



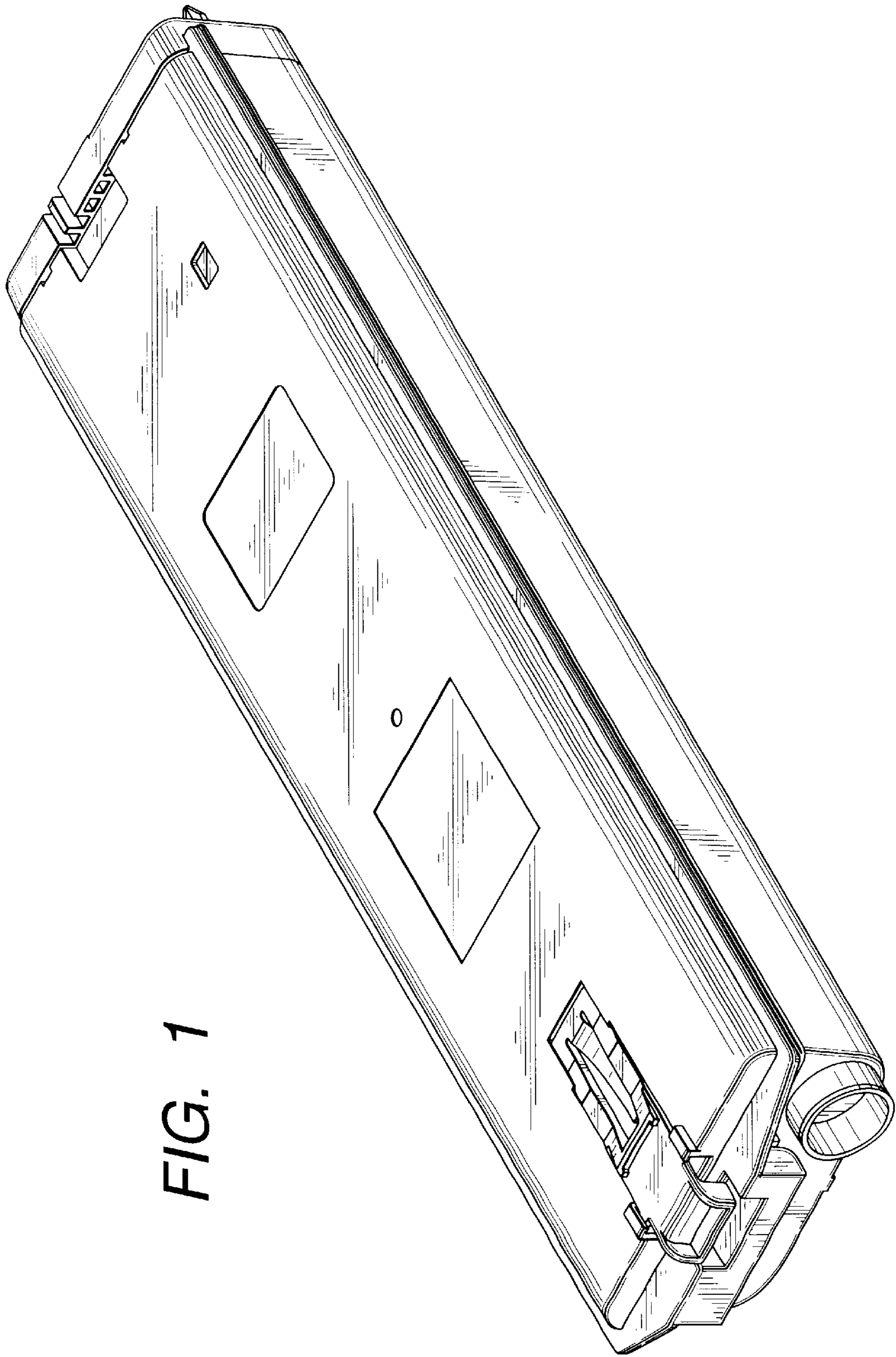


FIG. 1

FIG. 2

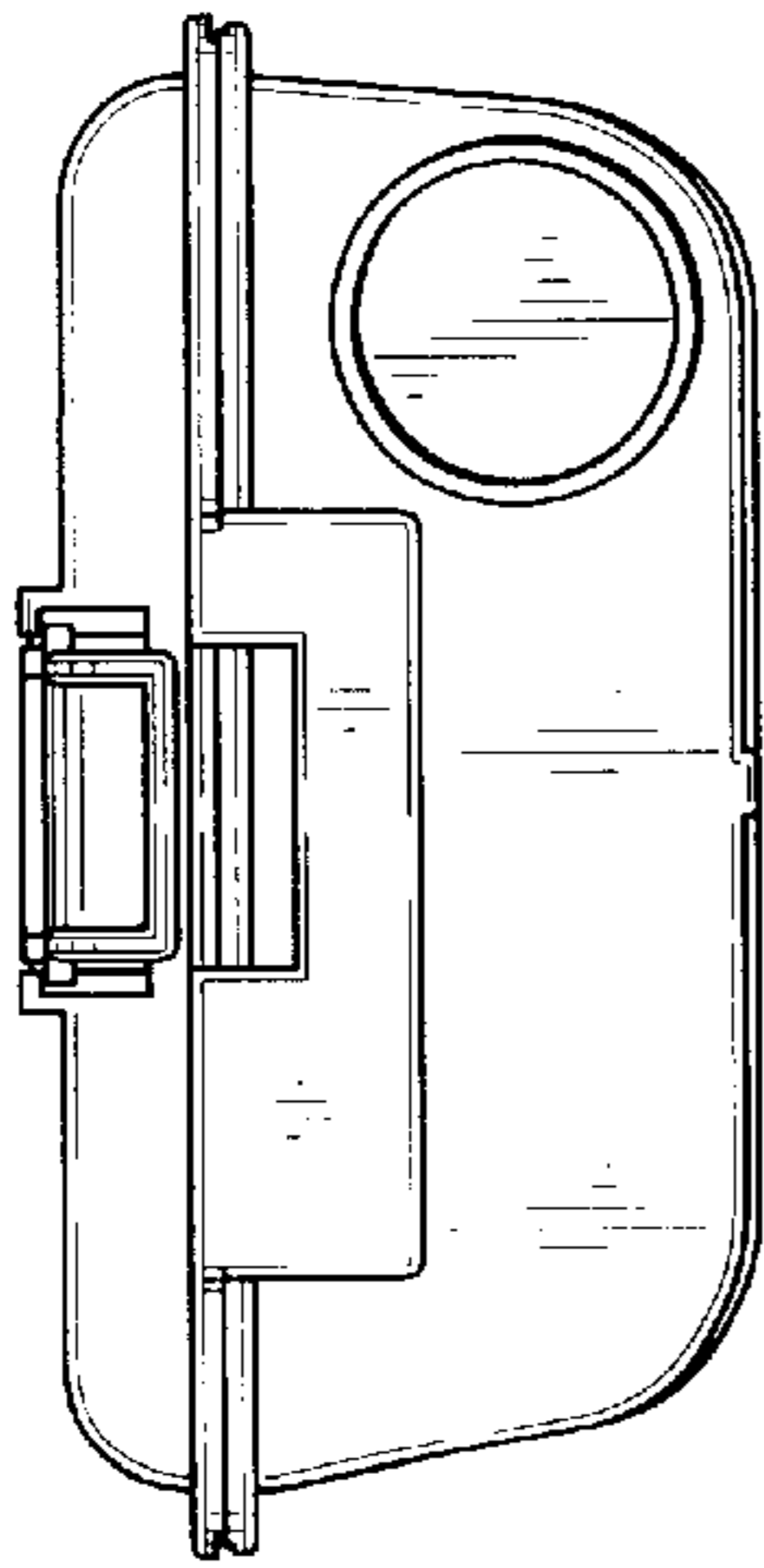


FIG. 3

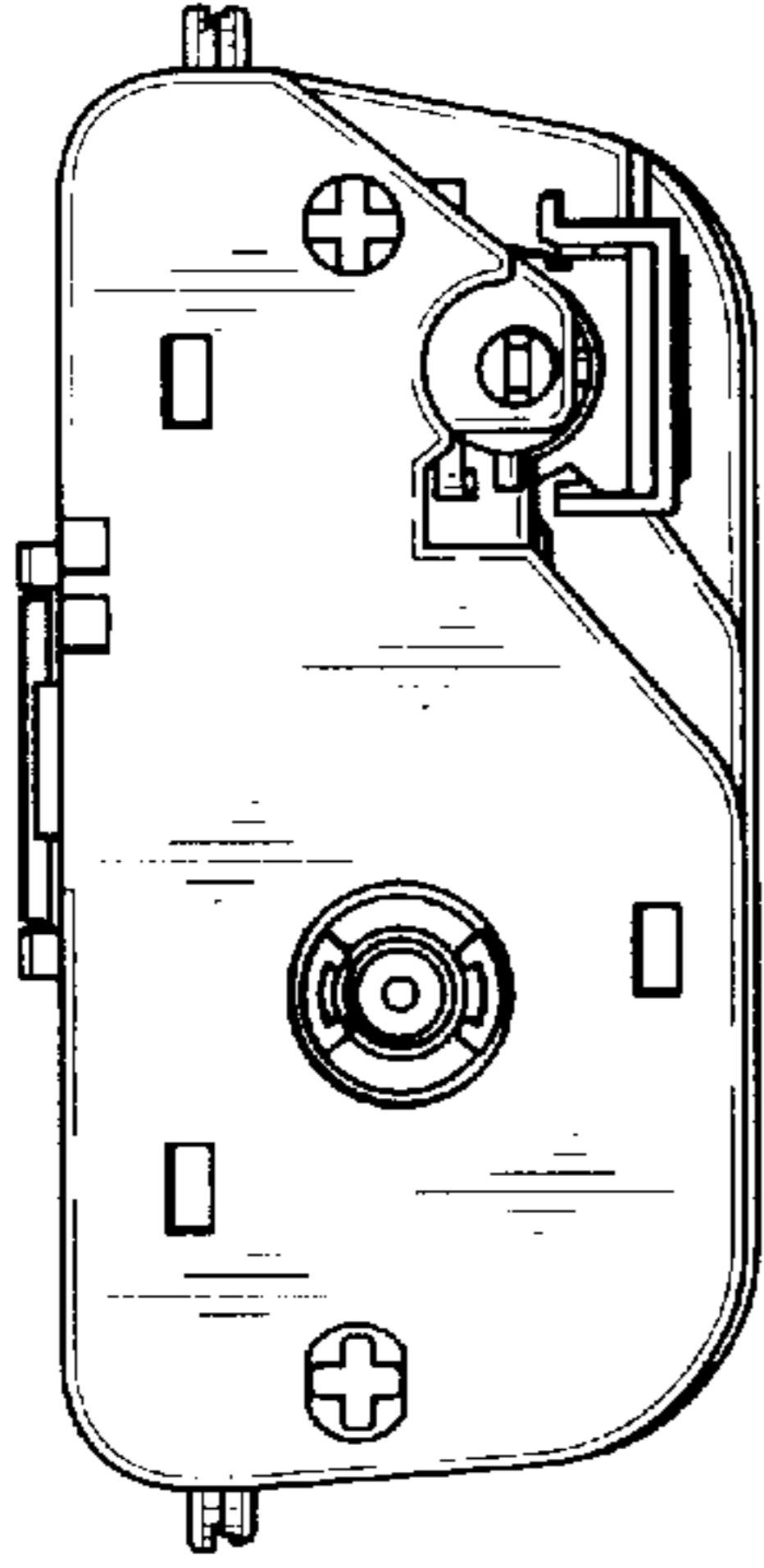


FIG. 4

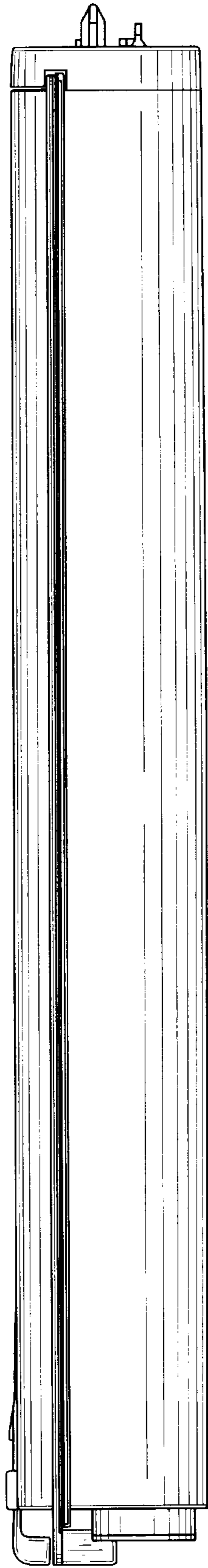


FIG. 5

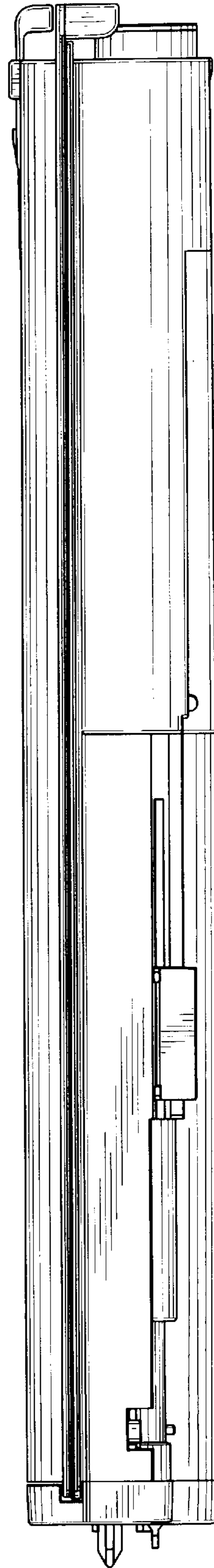


FIG. 6

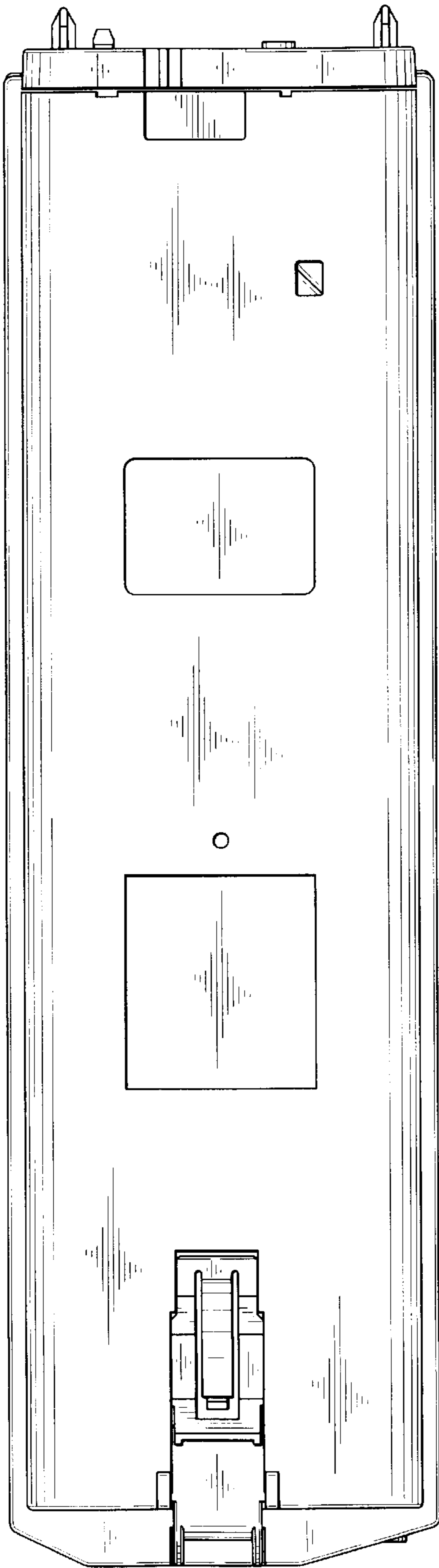


FIG. 7

