



US00D458956S

(12) **United States Design Patent**
Neri et al.

(10) **Patent No.:** **US D458,956 S**
(45) **Date of Patent:** **** Jun. 18, 2002**

(54) **INK RIBBON CARTRIDGE FOR PRINTING DEVICE**

D383,743 S * 9/1997 Suwa et al. D18/56
D425,545 S * 5/2000 Ishida D18/12
D442,211 S * 5/2001 Hayashi et al. D18/12

(75) Inventors: **Joel Neri**, Youngstown; **Susan Hammill**, West Seneca; **Jennifer Johnson**, Middleport; **Diane Kelly**, Cambria, all of NY (US); **John Krivda**, Ewing; **Karl Duerr**, Basking Ridge, both of NJ (US)

* cited by examiner

Primary Examiner—Caron D. Veynar
(74) *Attorney, Agent, or Firm*—Greenwald & Basch LLP; Howard J. Greenwald

(73) Assignee: **International Imaging Materials, Inc.**, Amherst, NY (US)

(57) **CLAIM**

The ornamental design for a “ink ribbon cartridge for printing device”, as shown and described.

(**) Term: **14 Years**

DESCRIPTION

(21) Appl. No.: **29/146,061**

FIG. 1 is a top plan view of an ink ribbon cartridge for printing device showing our new design;
FIG. 2 is a front view thereof;
FIG. 3 is a rear view thereof;
FIG. 4 is a right side view thereof;
FIG. 5 is a left side view thereof;
FIG. 6 is a bottom view thereof; and,
FIG. 7 is a top perspective view thereof from one side. Dotted lines on FIG. 7 are to show the path of the ink ribbon and are not claimed as a part of the design.

(22) Filed: **Aug. 2, 2001**

(51) **LOC (7) Cl.** **18-01**

(52) **U.S. Cl.** **D18/12**

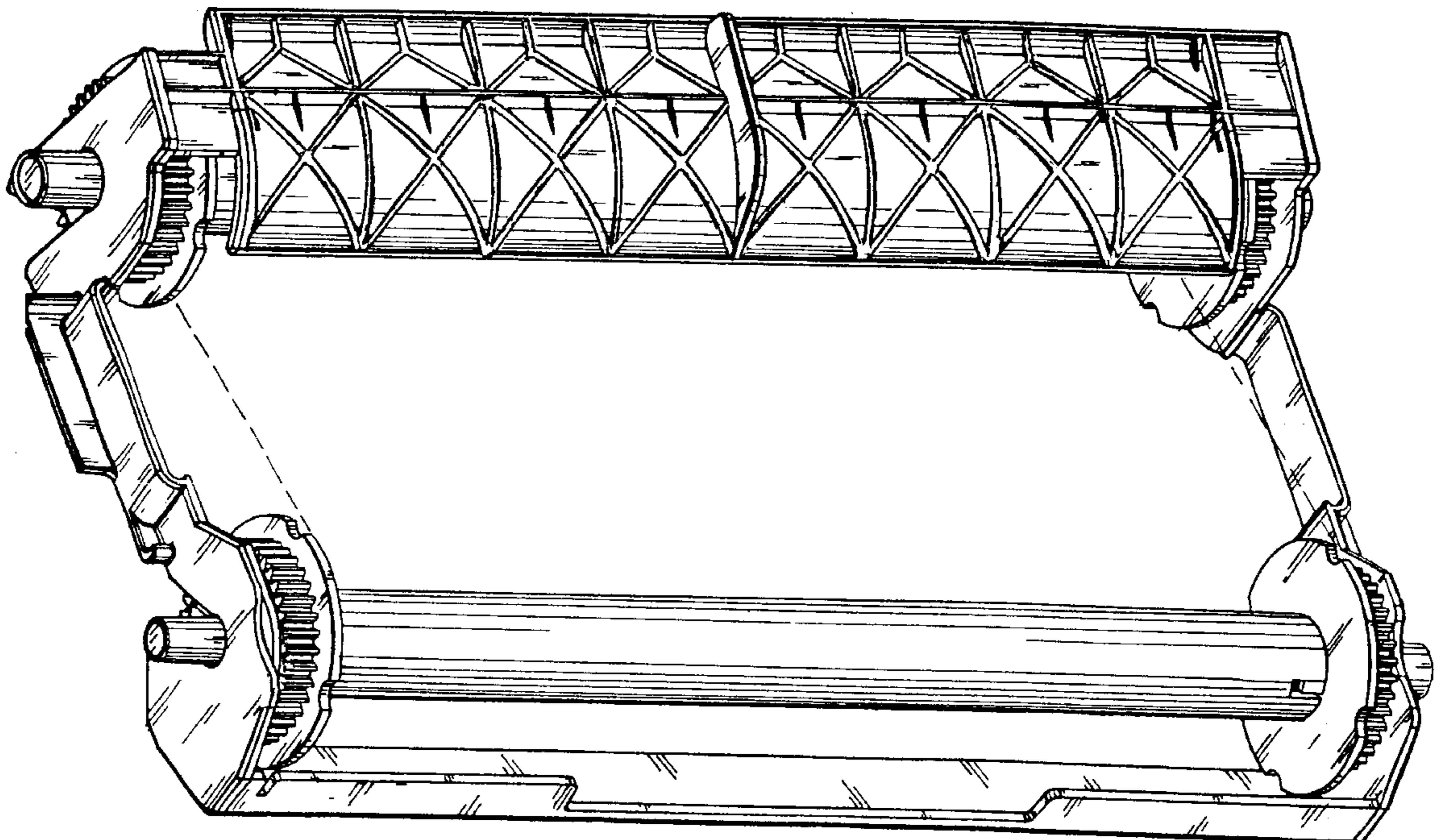
(58) **Field of Search** D18/12, 56; D14/471, D14/481, 483; 400/207, 208, 234

(56) **References Cited**

U.S. PATENT DOCUMENTS

D331,771 S * 12/1992 Yoshihara D18/12

1 Claim, 6 Drawing Sheets



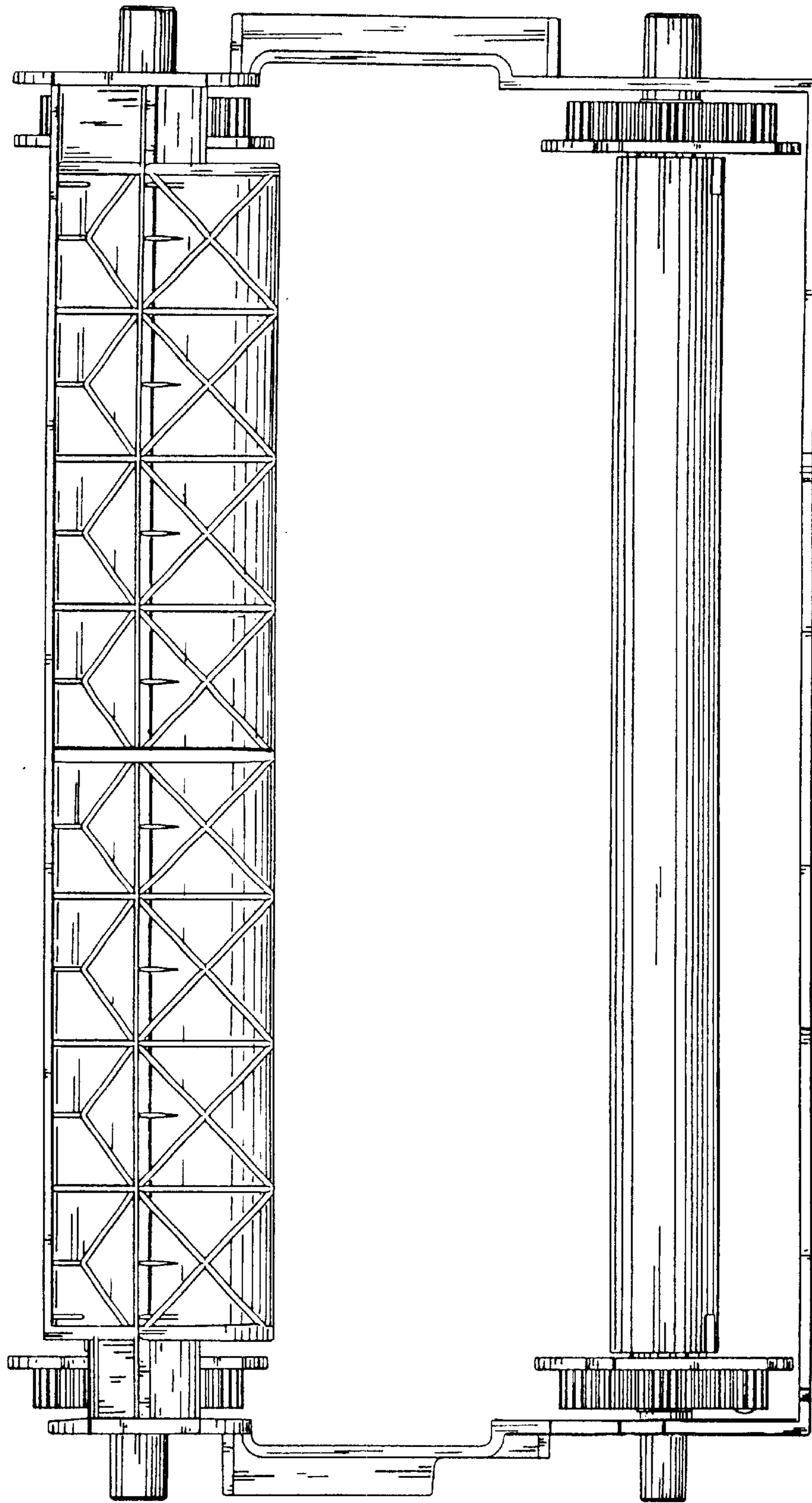


FIG. 1

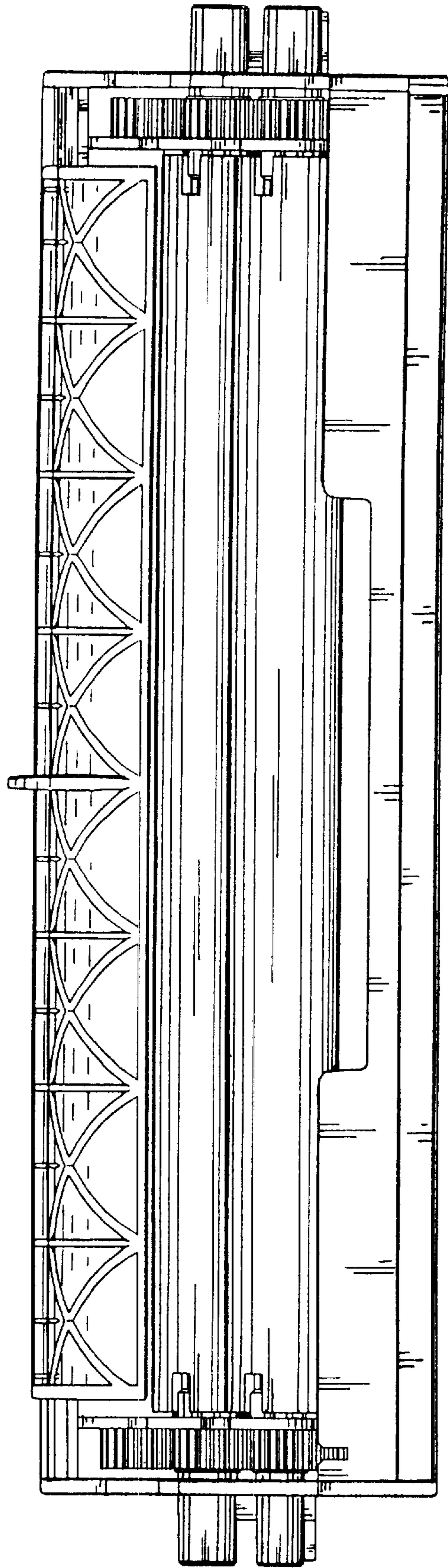


FIG. 2

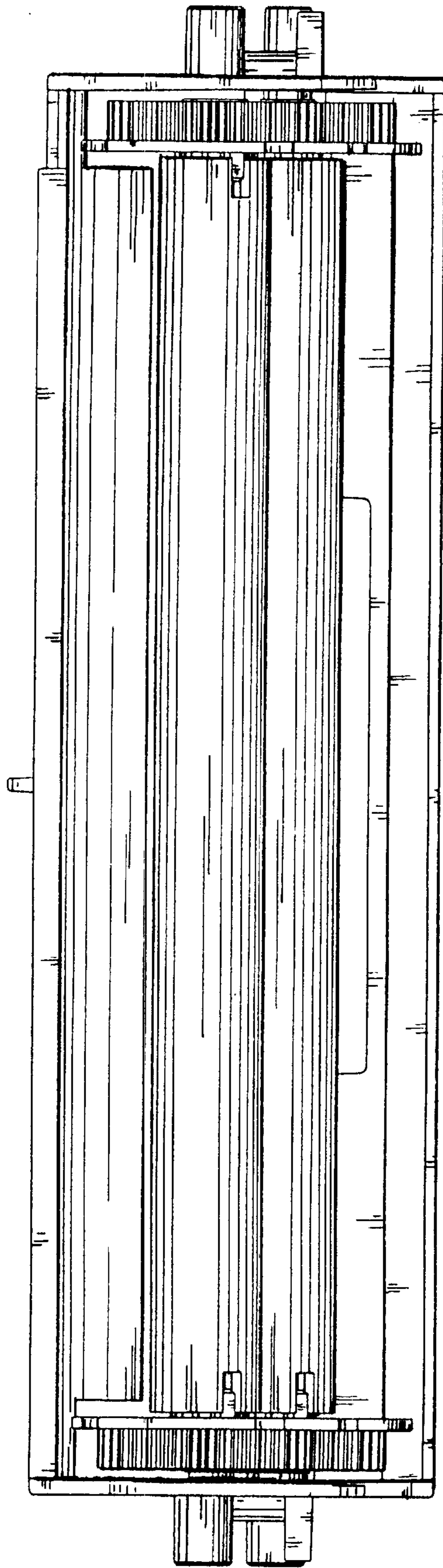


FIG. 3

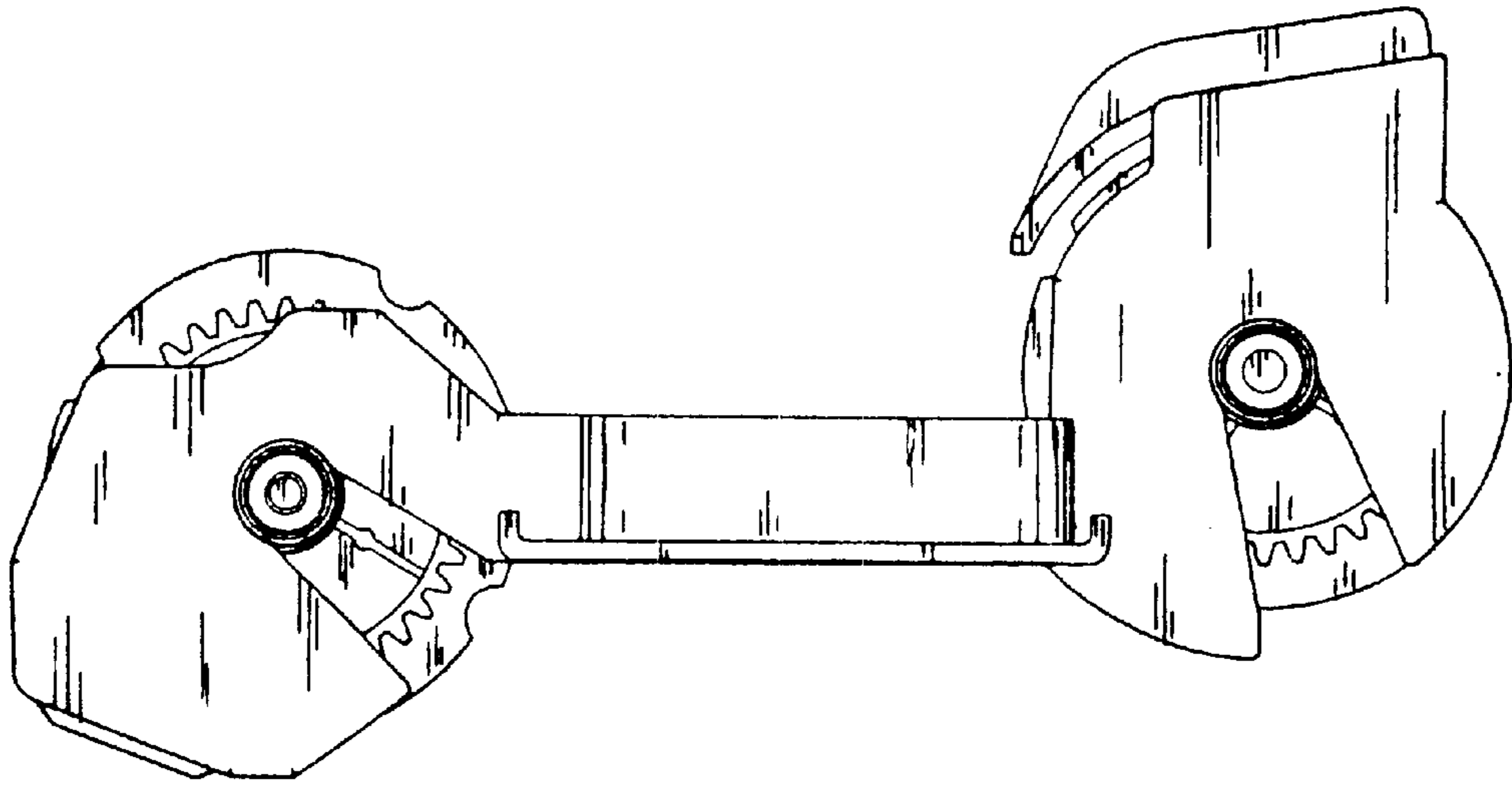


FIG. 4

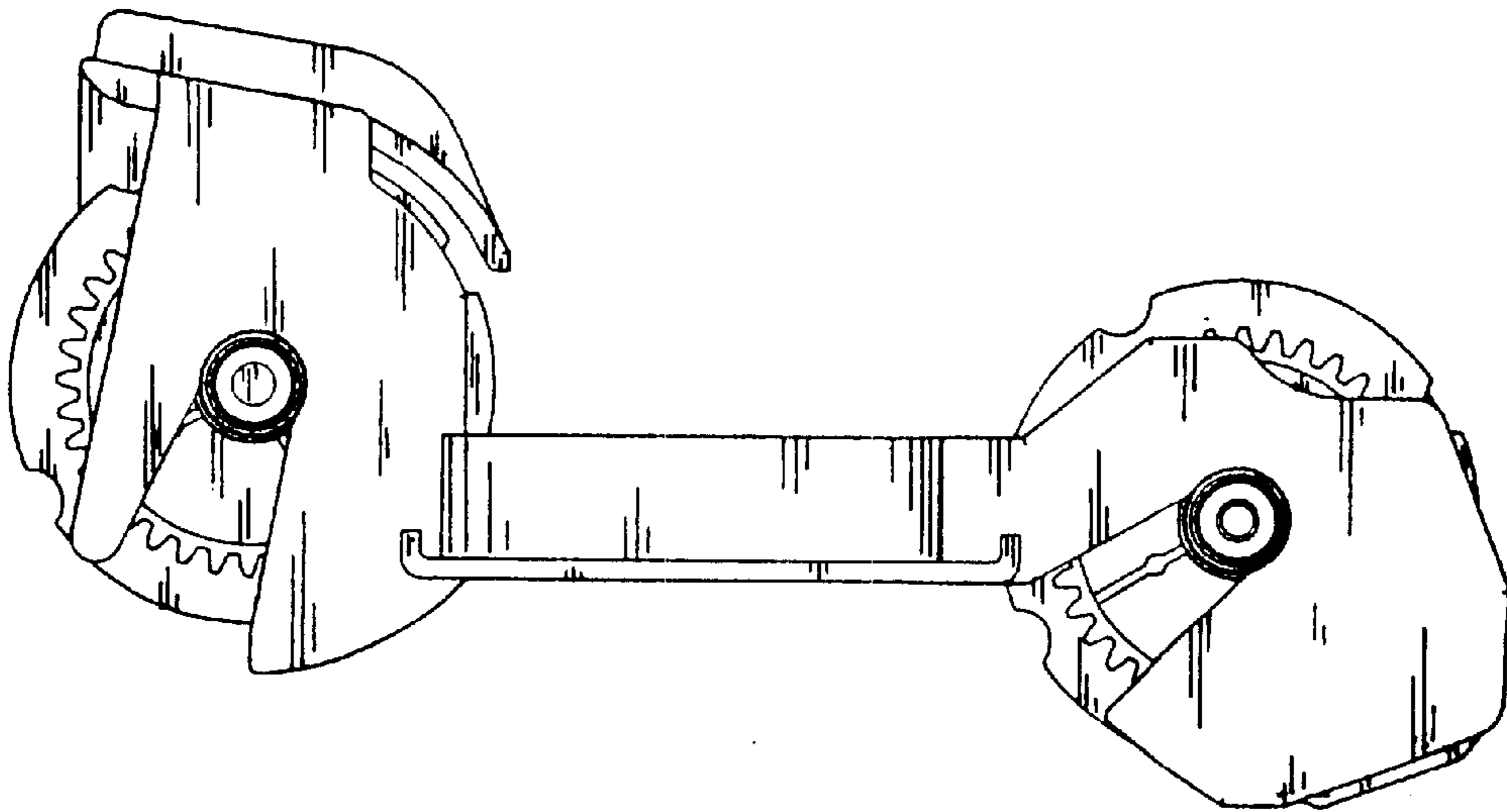


FIG. 5

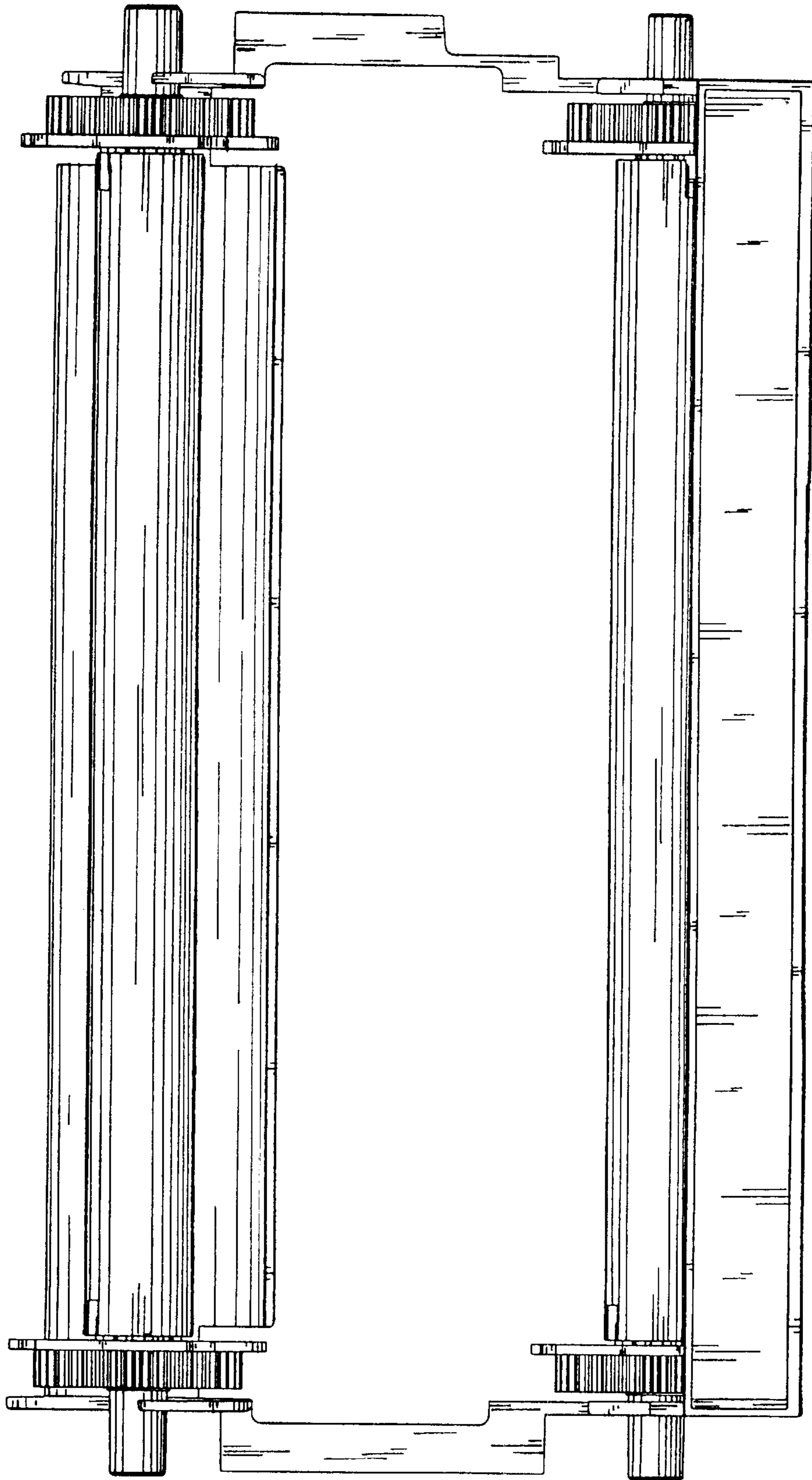


FIG. 6

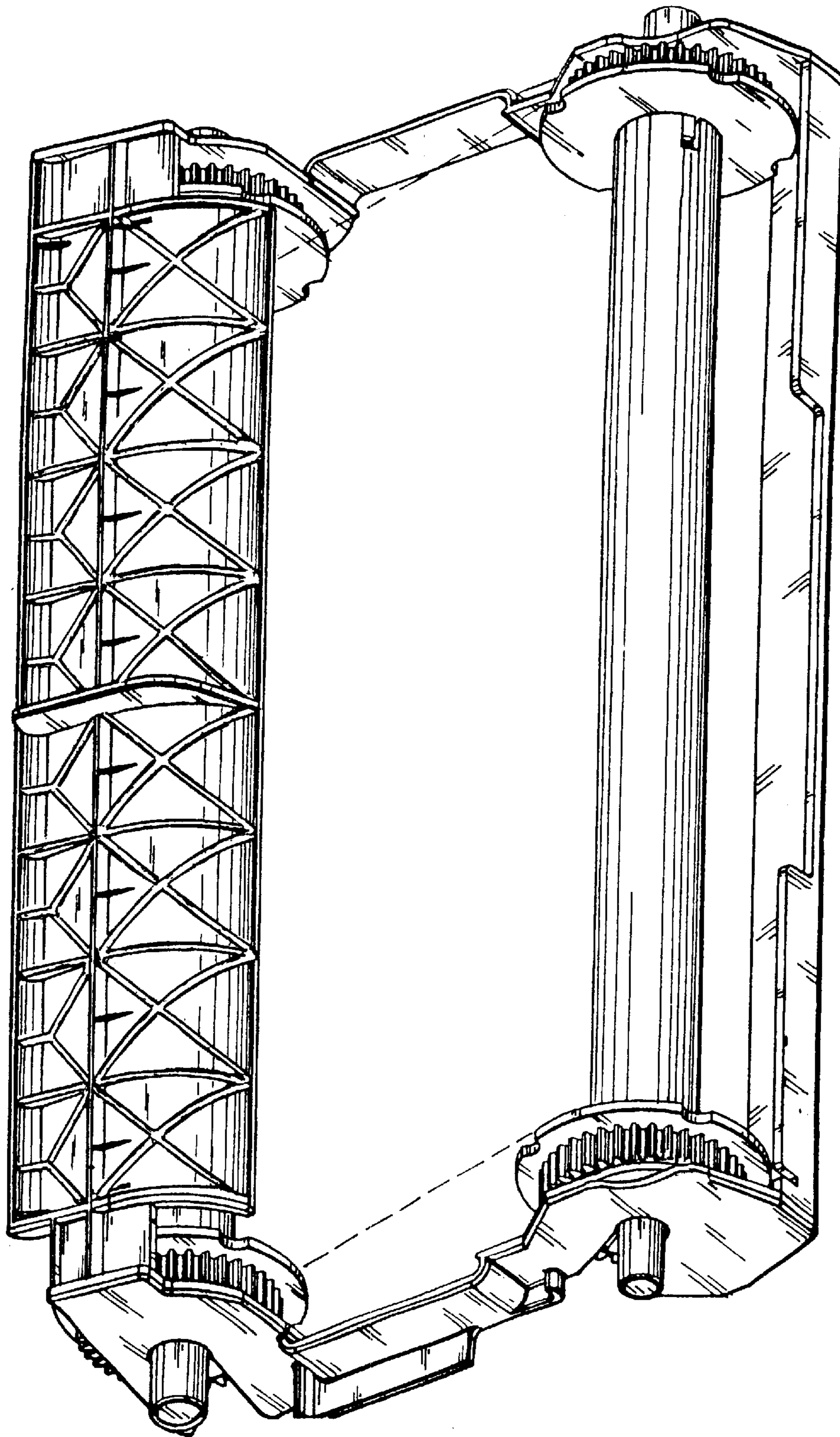


FIG. 7