



US00D458951S

(12) **United States Design Patent**
Sato

(10) **Patent No.:** **US D458,951 S**

(45) **Date of Patent:** **** Jun. 18, 2002**

(54) **CAMERA**

(75) Inventor: **Jun Sato**, Tokyo (JP)

(73) Assignee: **Fuji Photo Film Co., Ltd.**, Kanagawa (JP)

(**) Term: **14 Years**

(21) Appl. No.: **29/146,940**

(22) Filed: **Aug. 21, 2001**

(30) **Foreign Application Priority Data**

Feb. 27, 2001 (JP) 2001-004578

(51) **LOC (7) Cl.** **16-01**

(52) **U.S. Cl.** **D16/218**

(58) **Field of Search** D16/200-206,
D16/207, 208, 218; 396/25-29, 535-541

(56) **References Cited**

U.S. PATENT DOCUMENTS

- 3,640,424 A * 2/1972 Ando 396/25
- D419,580 S * 1/2000 Akabane et al. D16/209
- D438,229 S * 2/2001 Kawai D16/218
- D448,784 S * 10/2001 Perez et al. D16/202

- D448,787 S * 10/2001 Shiotani D16/218
- D449,328 S * 10/2001 Backs et al. D16/218
- D451,117 S * 11/2001 Huthmaker D16/218

* cited by examiner

Primary Examiner—Adir Aronovich

(74) *Attorney, Agent, or Firm*—Young & Thompson

(57) **CLAIM**

The ornamental design for a camera, as shown and described.

DESCRIPTION

FIG. 1 is a top, front and side perspective view of a camera showing my new design;
 FIG. 2 is a front elevational view thereof;
 FIG. 3 is a rear elevational view thereof;
 FIG. 4 is a top plan view thereof;
 FIG. 5 is a bottom plan view thereof;
 FIG. 6 is a side elevational view thereof from the right of FIG. 2;
 FIG. 7 is a side elevational view thereof from the left of FIG. 2; and,
 FIG. 8 is a view similar to FIG. 1 but with the parts in a different position.

1 Claim, 4 Drawing Sheets

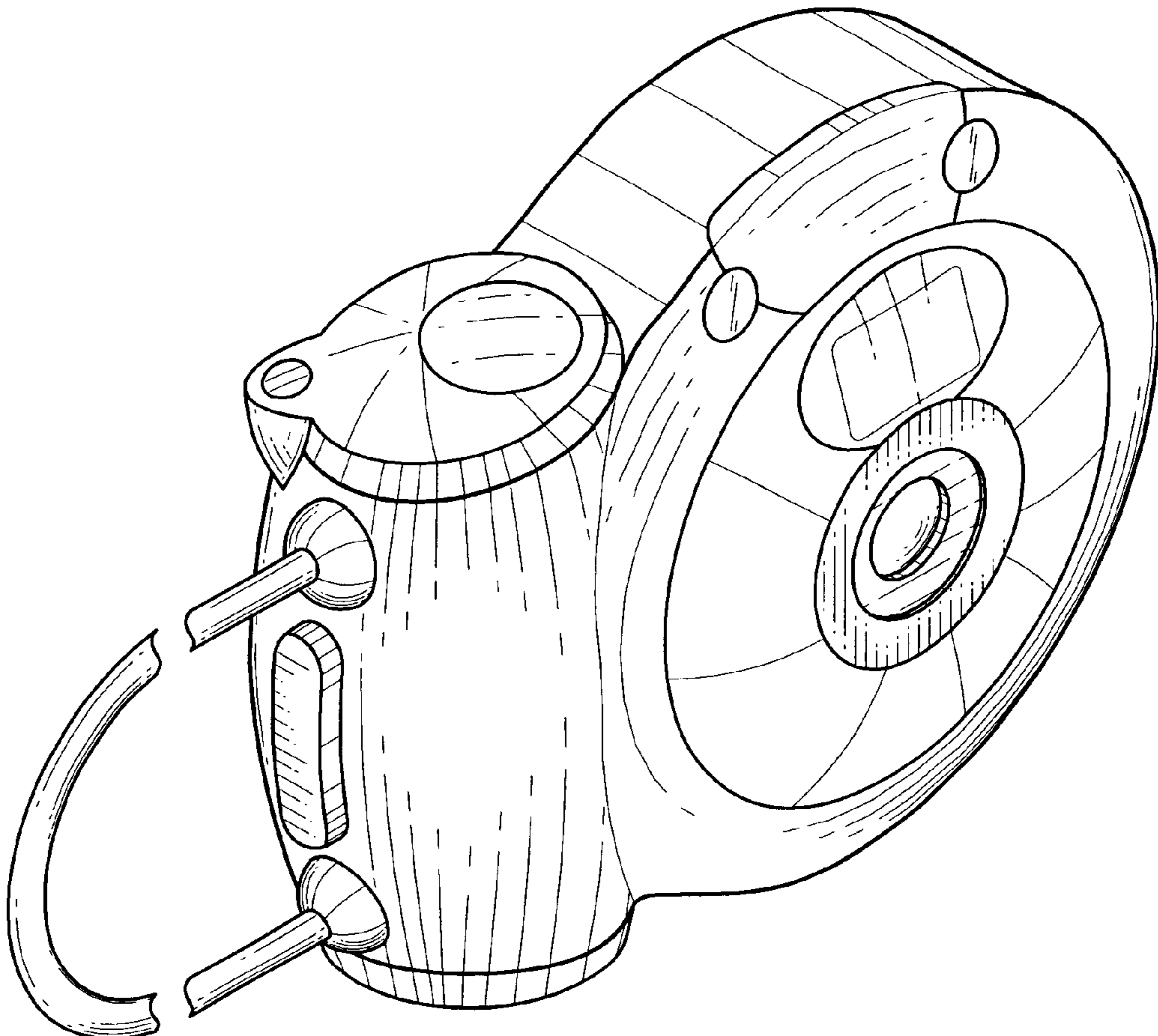


Fig. 1

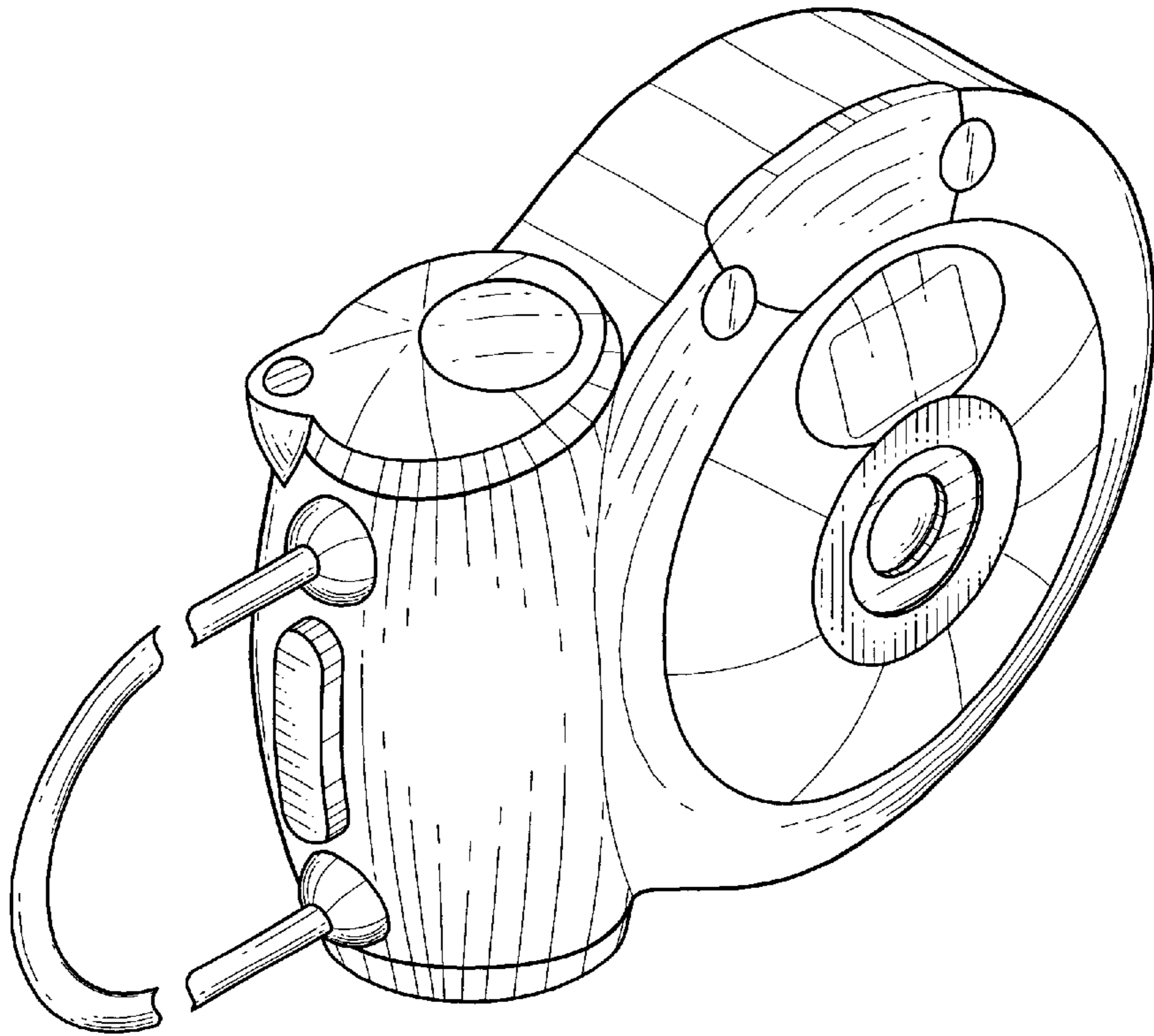


Fig. 2

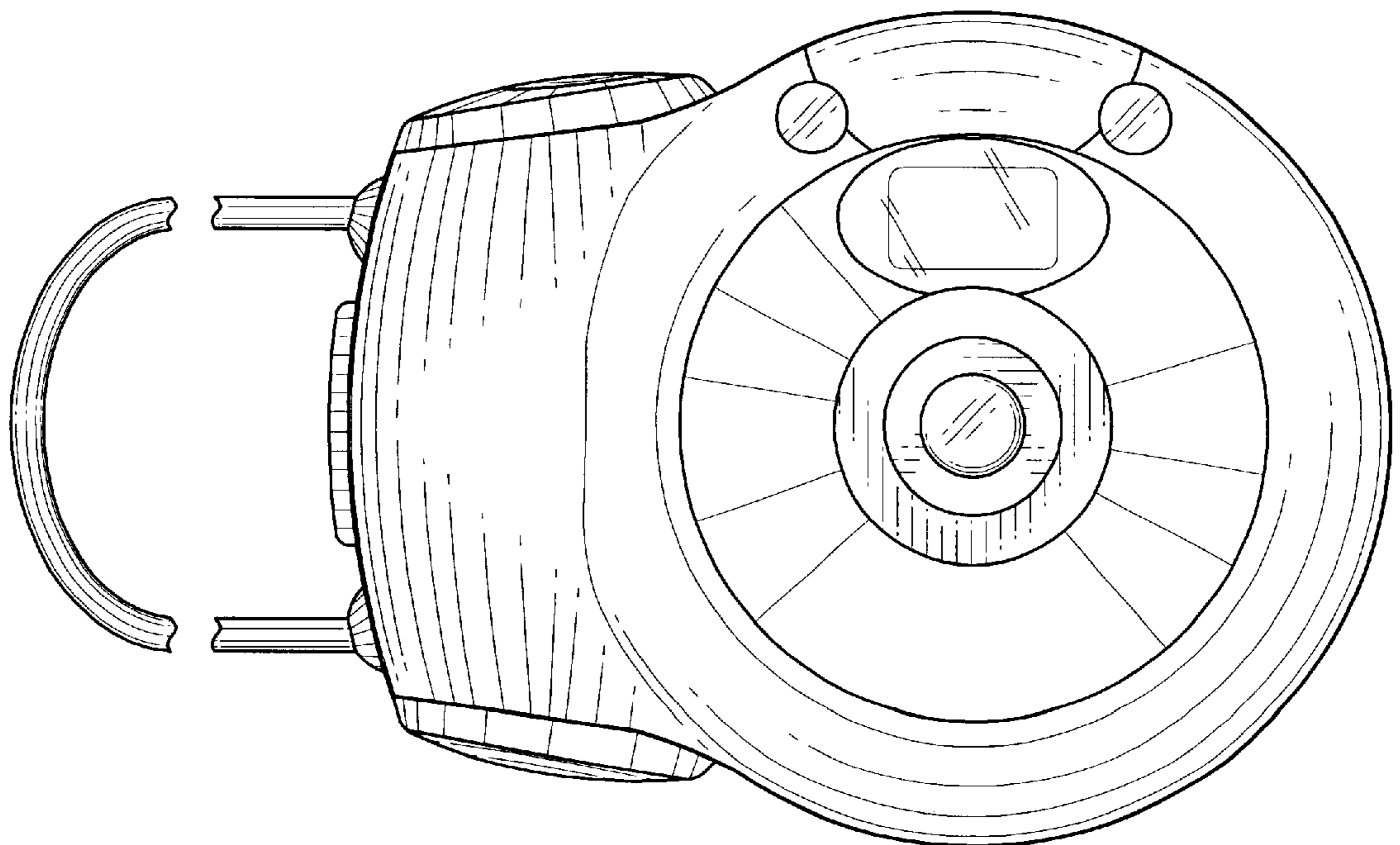


Fig. 3

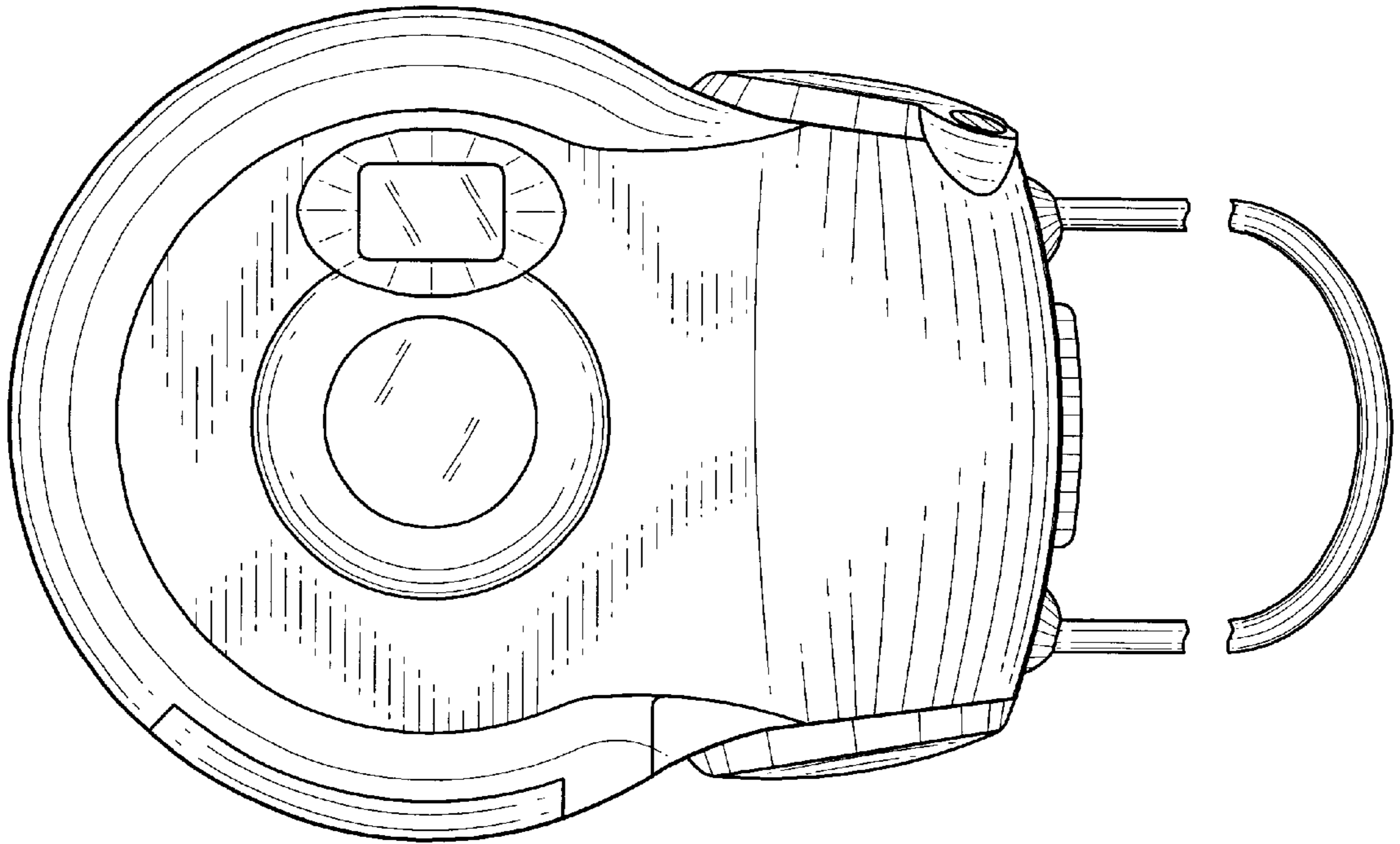


Fig. 4

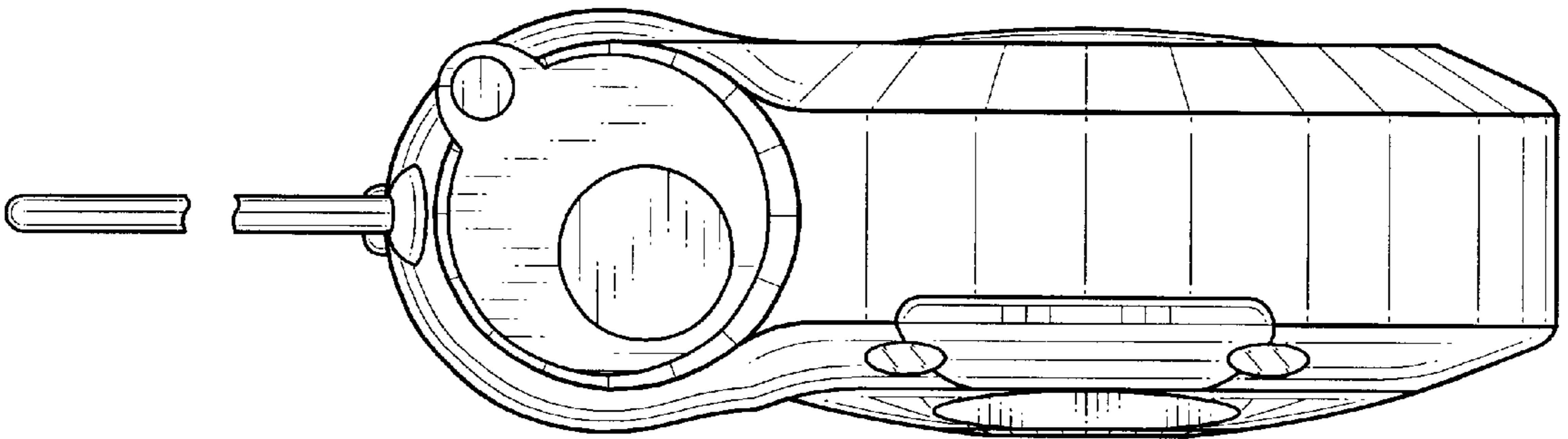


Fig. 5

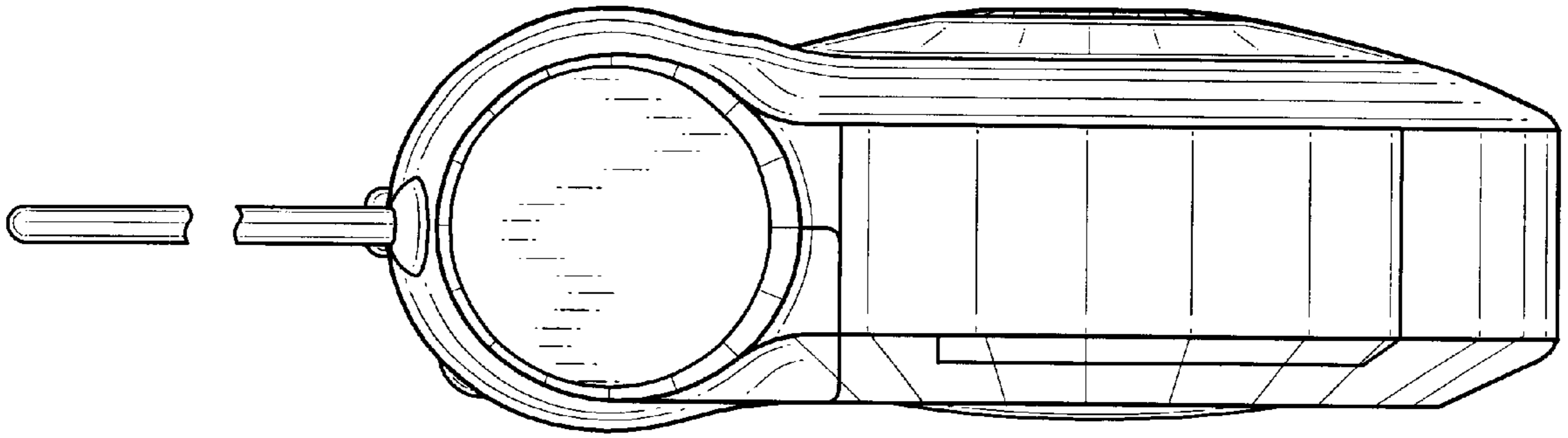


Fig. 6

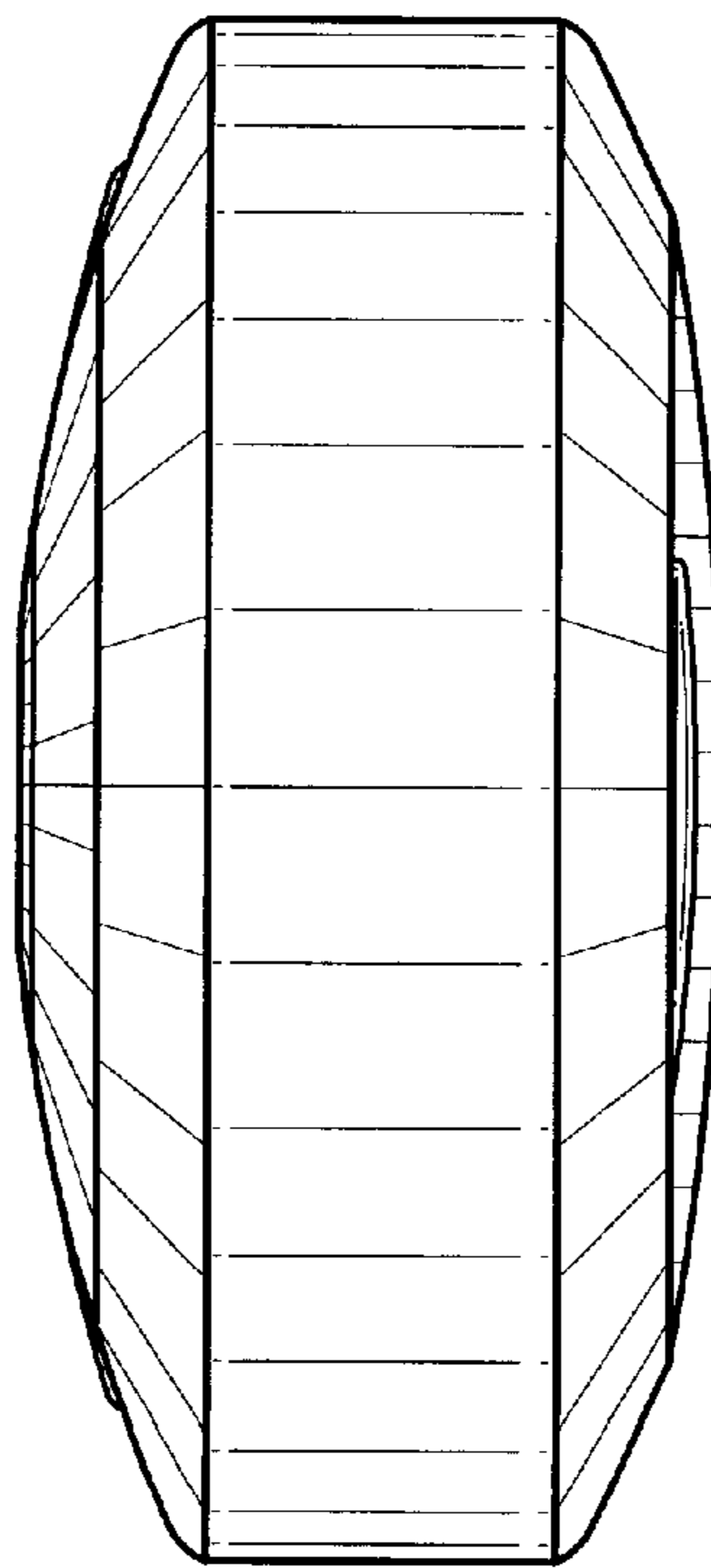


Fig. 7

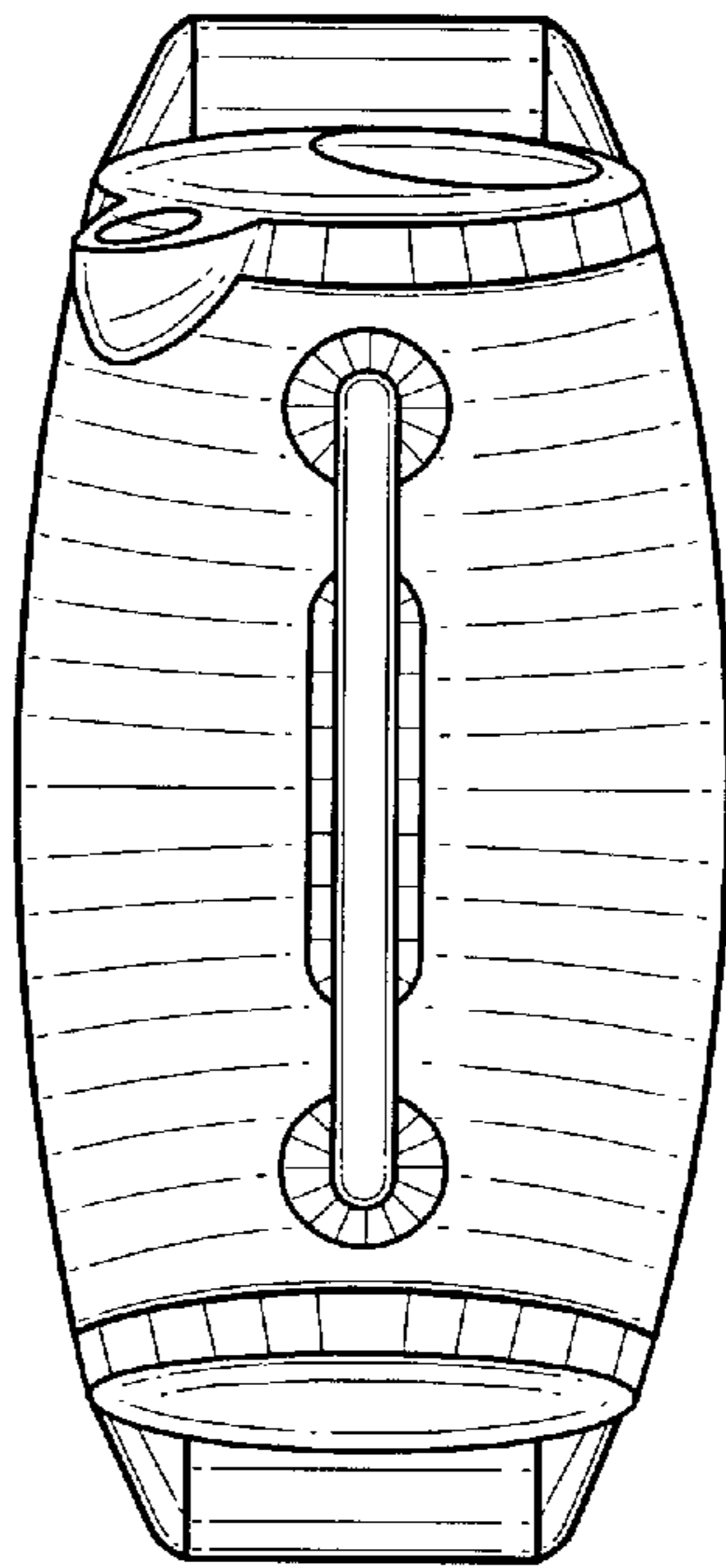


Fig. 8

