



US00D458950S

(12) **United States Design Patent**  
**Onuma**

(10) **Patent No.:** **US D458,950 S**

(45) **Date of Patent:** **\*\* Jun. 18, 2002**

(54) **35MM CAMERA**

(75) **Inventor:** **Koki Onuma, Tokyo (JP)**

(73) **Assignee:** **Asahi Kogaku Kogo Kabushiki Kaisha, Tokyo (JP)**

(\*\*) **Term:** **14 Years**

(21) **Appl. No.:** **29/147,936**

(22) **Filed:** **Sep. 12, 2001**

(30) **Foreign Application Priority Data**

Mar. 13, 2001 (JP) ..... 2001-006403

(51) **LOC (7) Cl.** ..... **16-01**

(52) **U.S. Cl.** ..... **D16/209**

(58) **Field of Search** ..... D16/200-205,  
D16/208, 209, 217, 218; 396/535-541,  
84

(56) **References Cited**

**U.S. PATENT DOCUMENTS**

4,990,945 A \* 2/1991 Cho et al. .... D96/84

D431,830 S \* 10/2000 Koinuma ..... D16/209

D432,152 S \* 10/2000 Watanabe ..... D16/209

D438,228 S \* 2/2001 Hamamura ..... D16/209

D449,631 S \* 10/2001 Hayashi ..... D16/209

\* cited by examiner

*Primary Examiner*—Adir Aronovich

(74) *Attorney, Agent, or Firm*—Sughrue Mion, PLLC

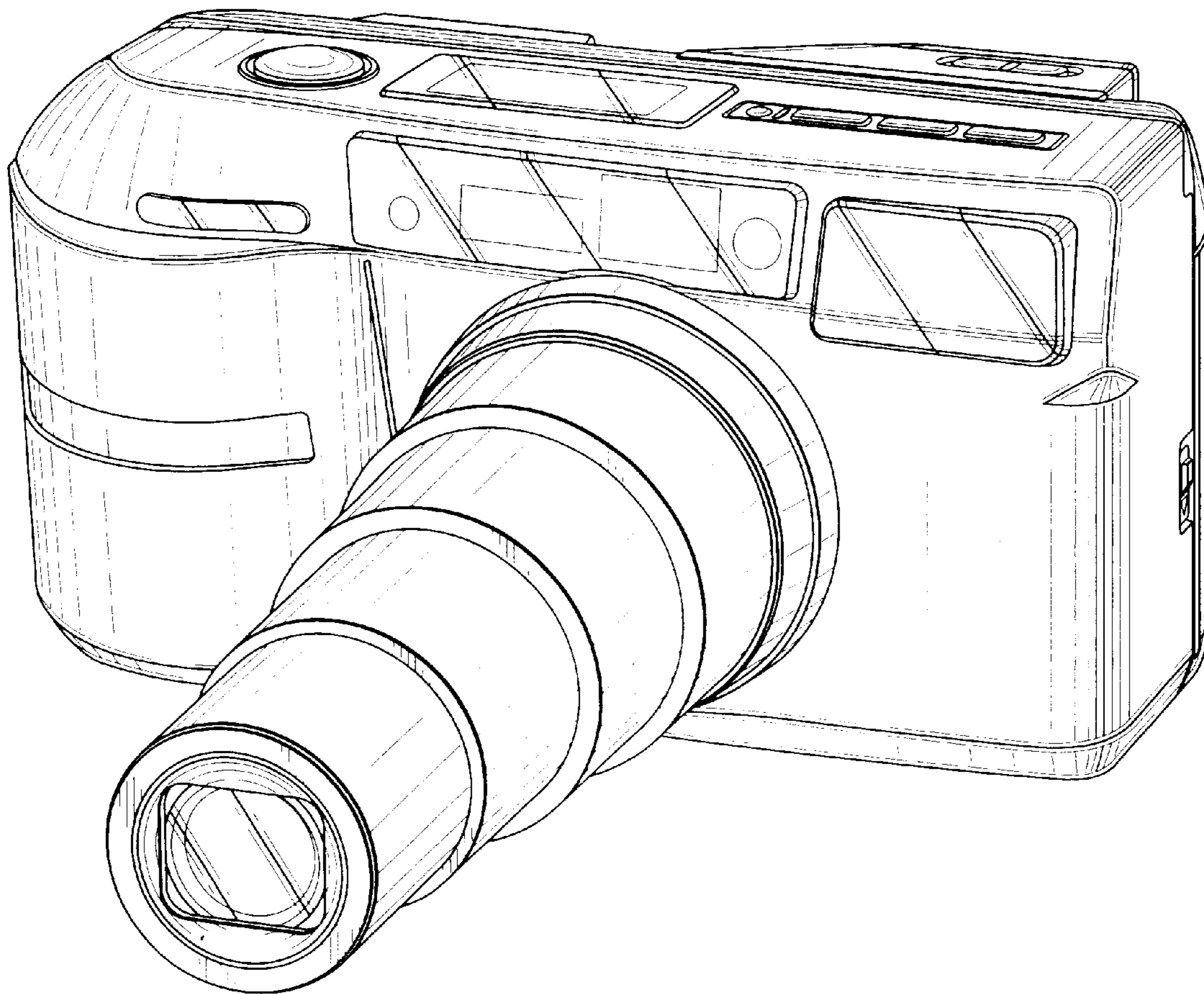
(57) **CLAIM**

The ornamental design for a 35mm camera, as shown and described.

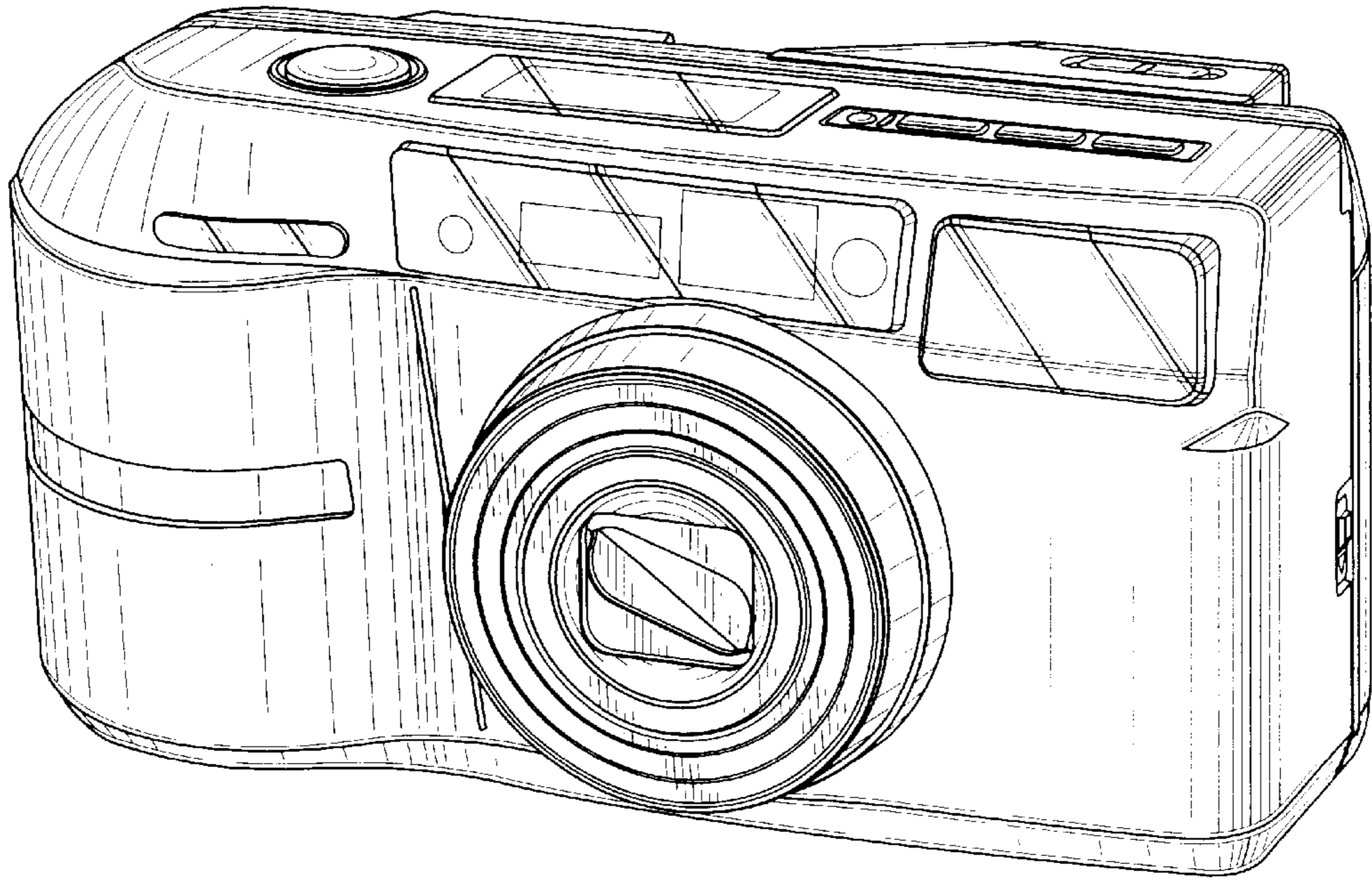
**DESCRIPTION**

FIG. 1 is a perspective view of the top, front and right side of a 35mm camera showing my new design; FIG. 2 is a front plan elevational view thereof; FIG. 3 is a top plan view thereof; FIG. 4 is a left side elevational view thereof; FIG. 5 is a right side elevational view thereof; FIG. 6 is a rear elevational view thereof; FIG. 7 is a bottom plan view thereof; and, FIG. 8 is a perspective view similar to FIG. 1 with the lens extended.

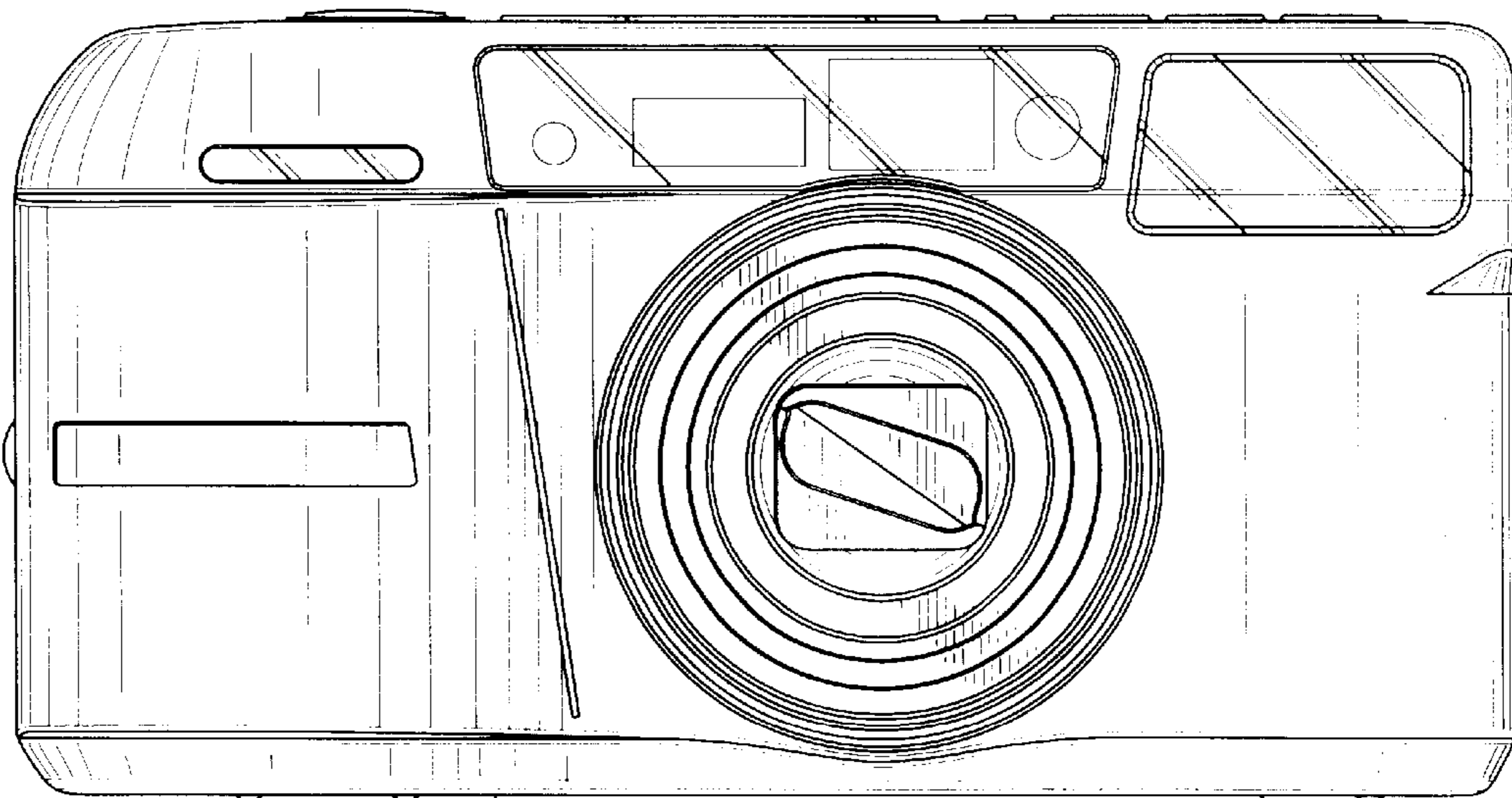
**1 Claim, 4 Drawing Sheets**



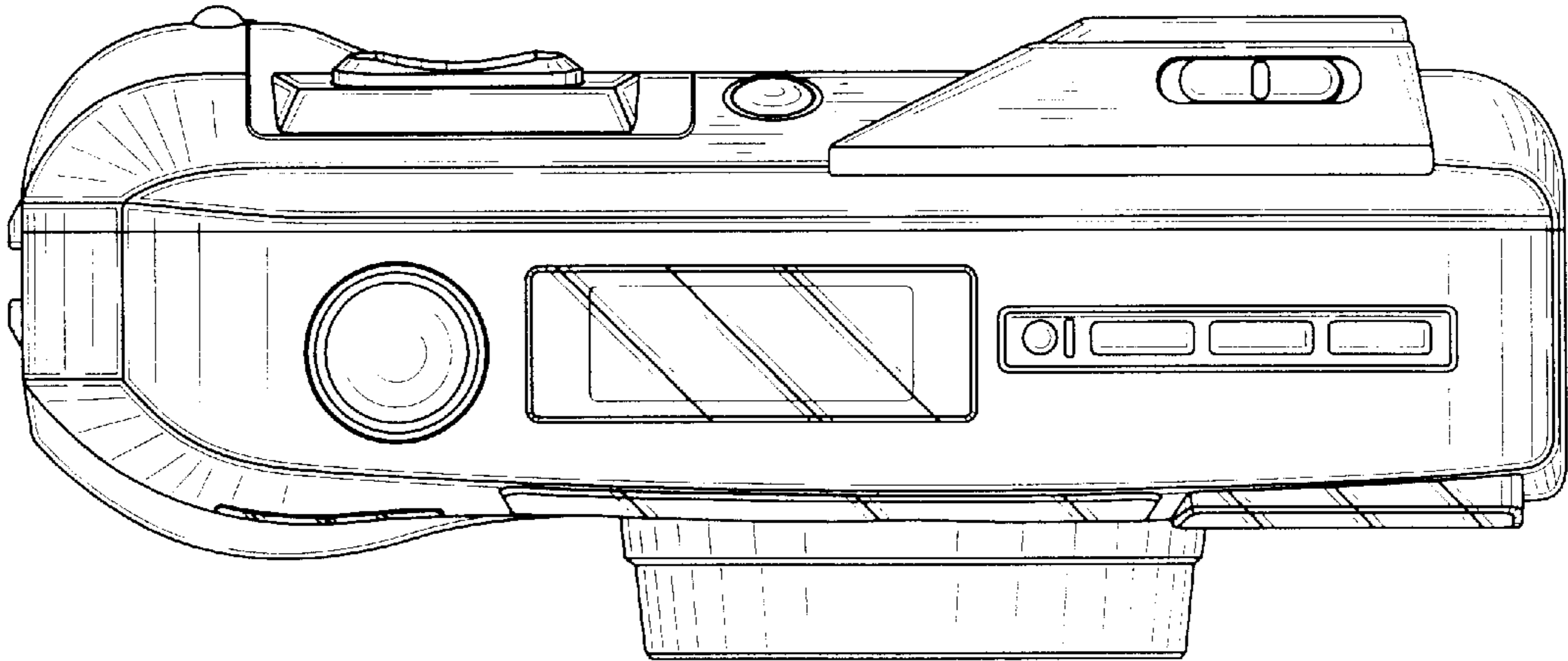
*FIG. 1*



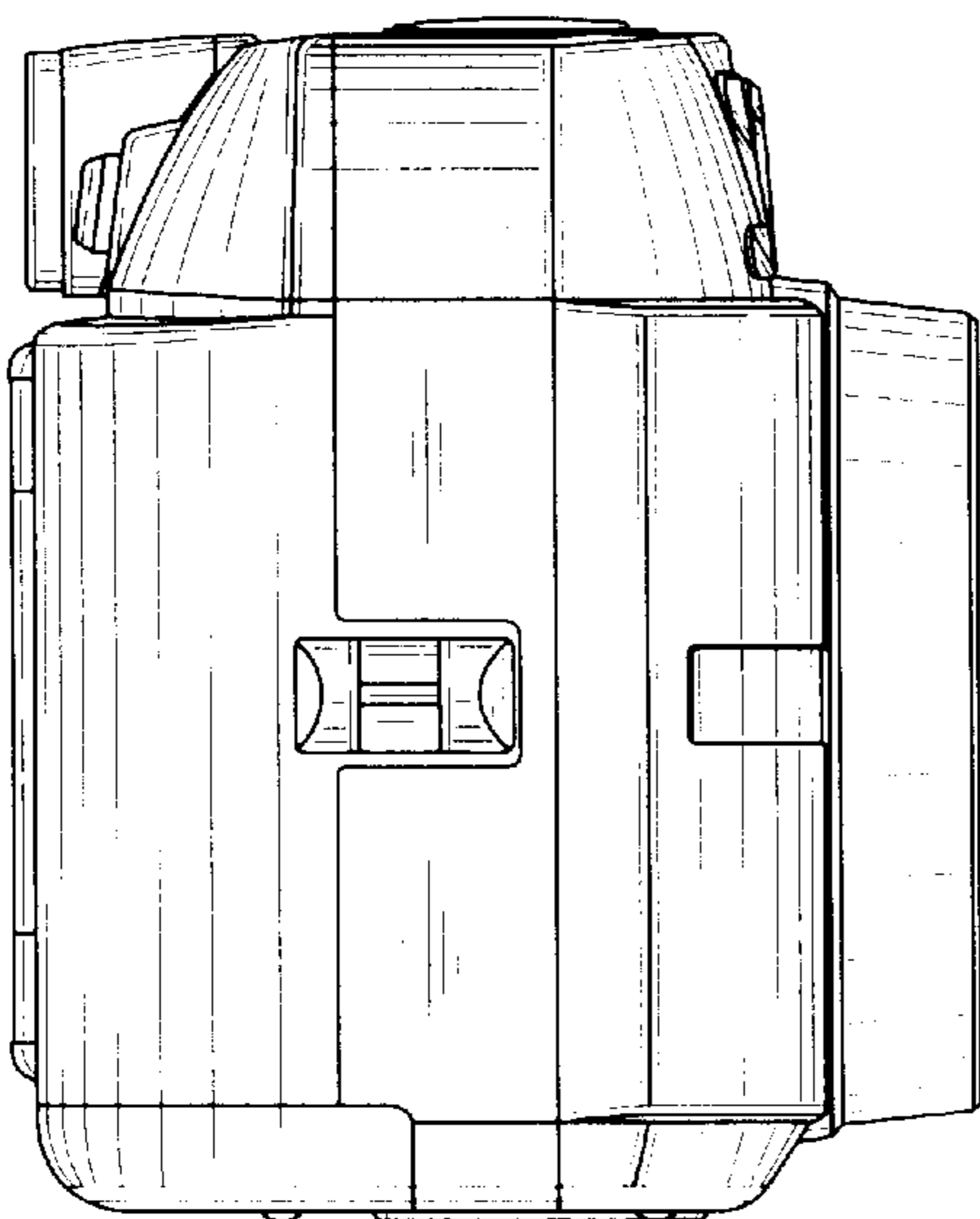
*FIG. 2*



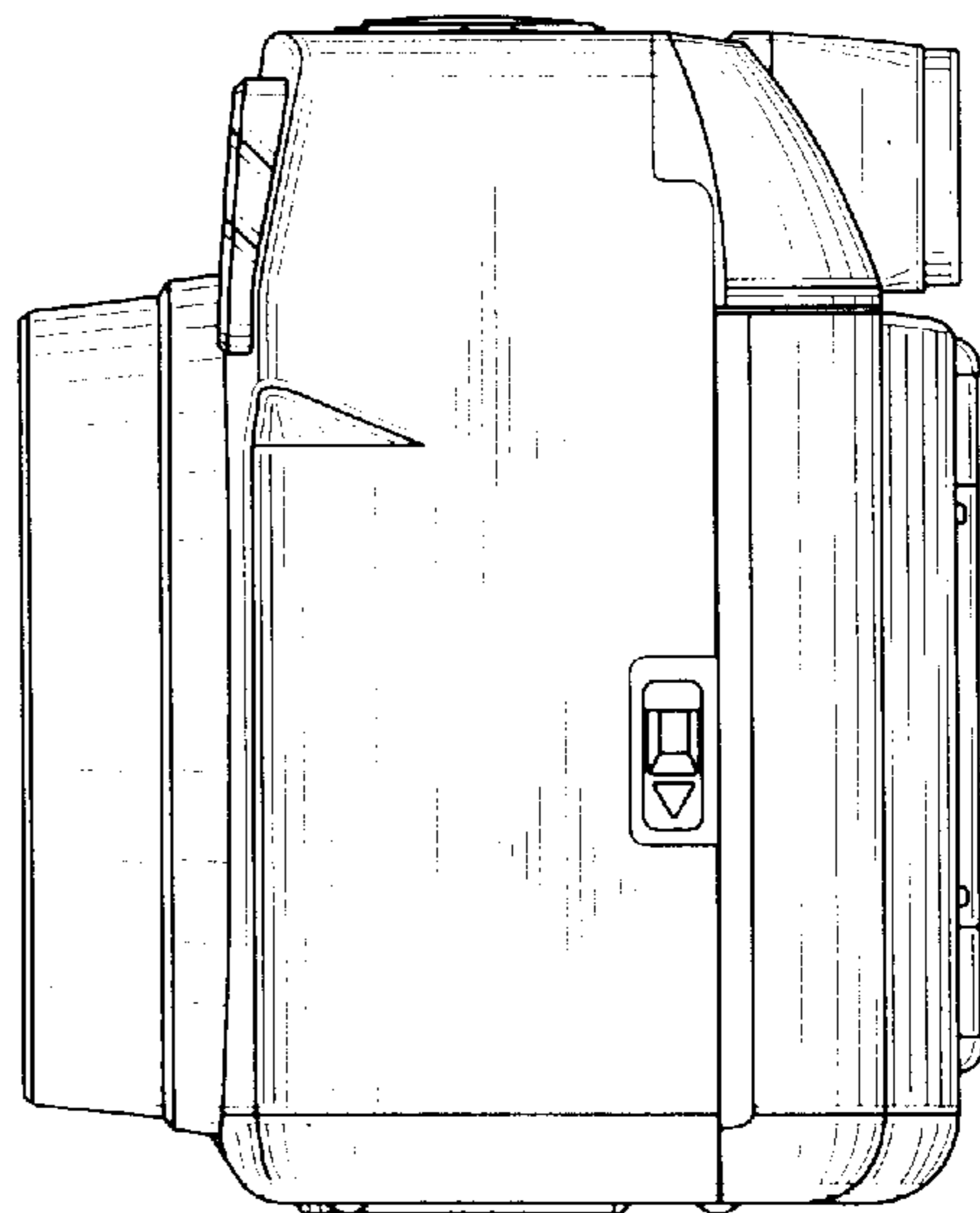
*FIG. 3*



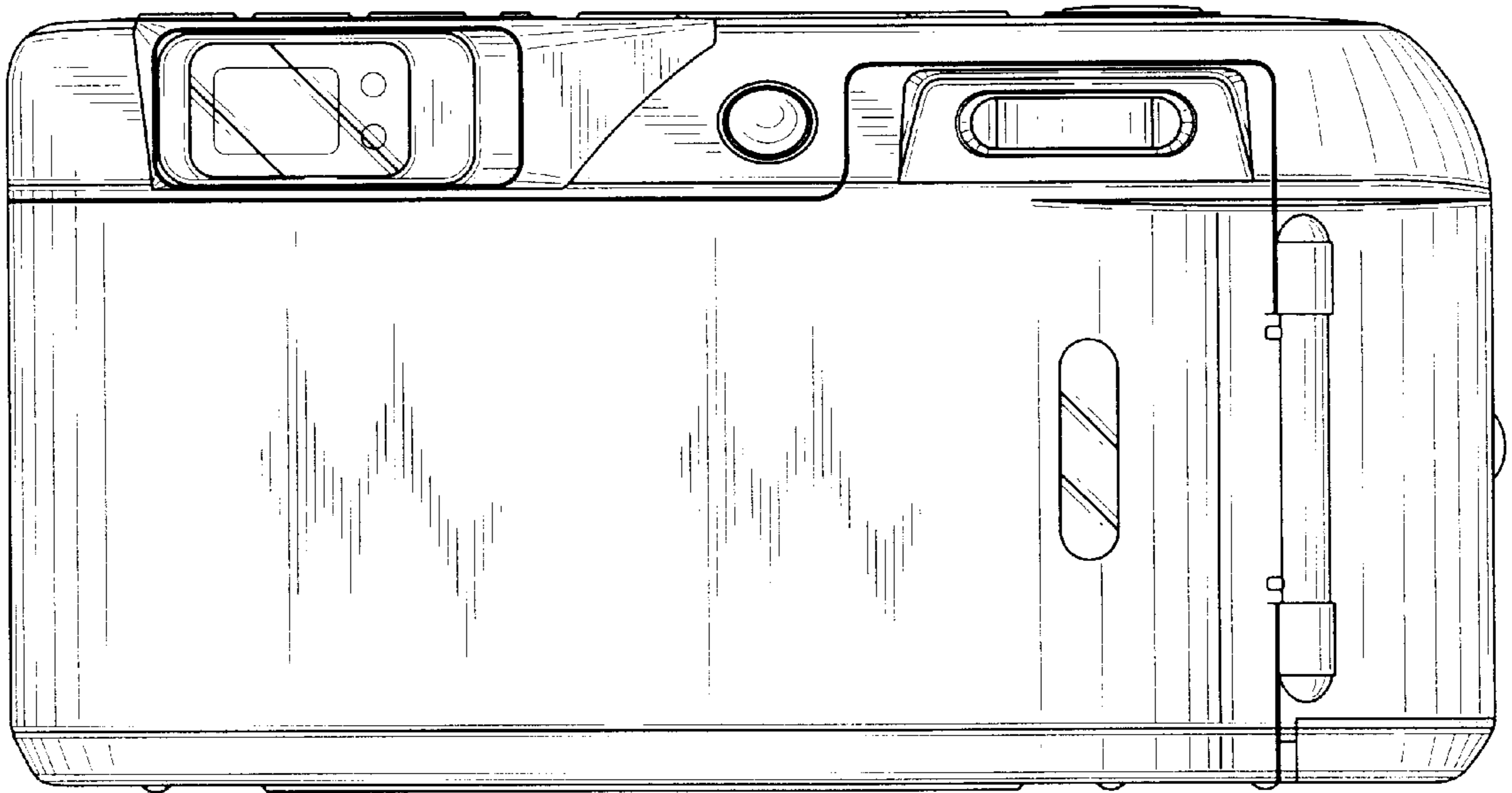
*FIG. 4*



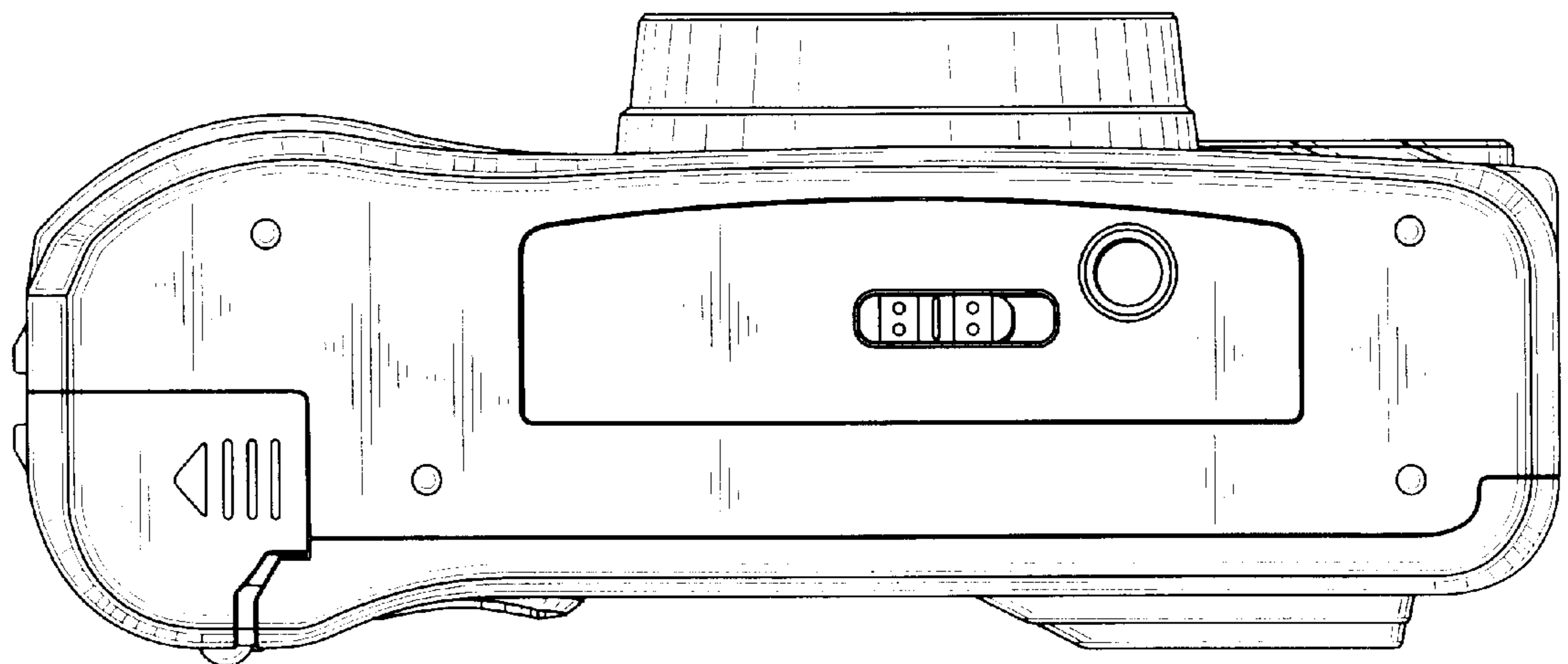
*FIG. 5*



*FIG. 6*



*FIG. 7*



*FIG. 8*

