



US00D458947S

(12) **United States Design Patent**
Svetlik et al.

(10) **Patent No.:** **US D458,947 S**
(45) **Date of Patent:** **** Jun. 18, 2002**

(54) **TABLE SAW**

(75) Inventors: **Kenneth N. Svetlik**, Schaumburg, IL (US); **David Danielson**, Litchfield, CT (US)

(73) Assignee: **S-B Power Tool Company**, Chicago, IL (US)

(**) Term: **14 Years**

(21) Appl. No.: **29/148,945**

(22) Filed: **Sep. 28, 2001**

(51) **LOC (7) Cl.** **15-09**

(52) **U.S. Cl.** **D15/133**

(58) **Field of Search** D15/133; 83/432, 83/435, 468.3, 468.7, 477, 477.2, 478

(56) **References Cited**

U.S. PATENT DOCUMENTS

5,174,349 A	12/1992	Svetlik et al.	144/286
D394,071 S	* 5/1998	Ceroll et al.	D15/133
D442,190 S	* 5/2001	Chen	D15/133

* cited by examiner

Primary Examiner—Antoine Duval Davis
(74) *Attorney, Agent, or Firm*—Leo H McCormick, Jr.; Warren Comstock

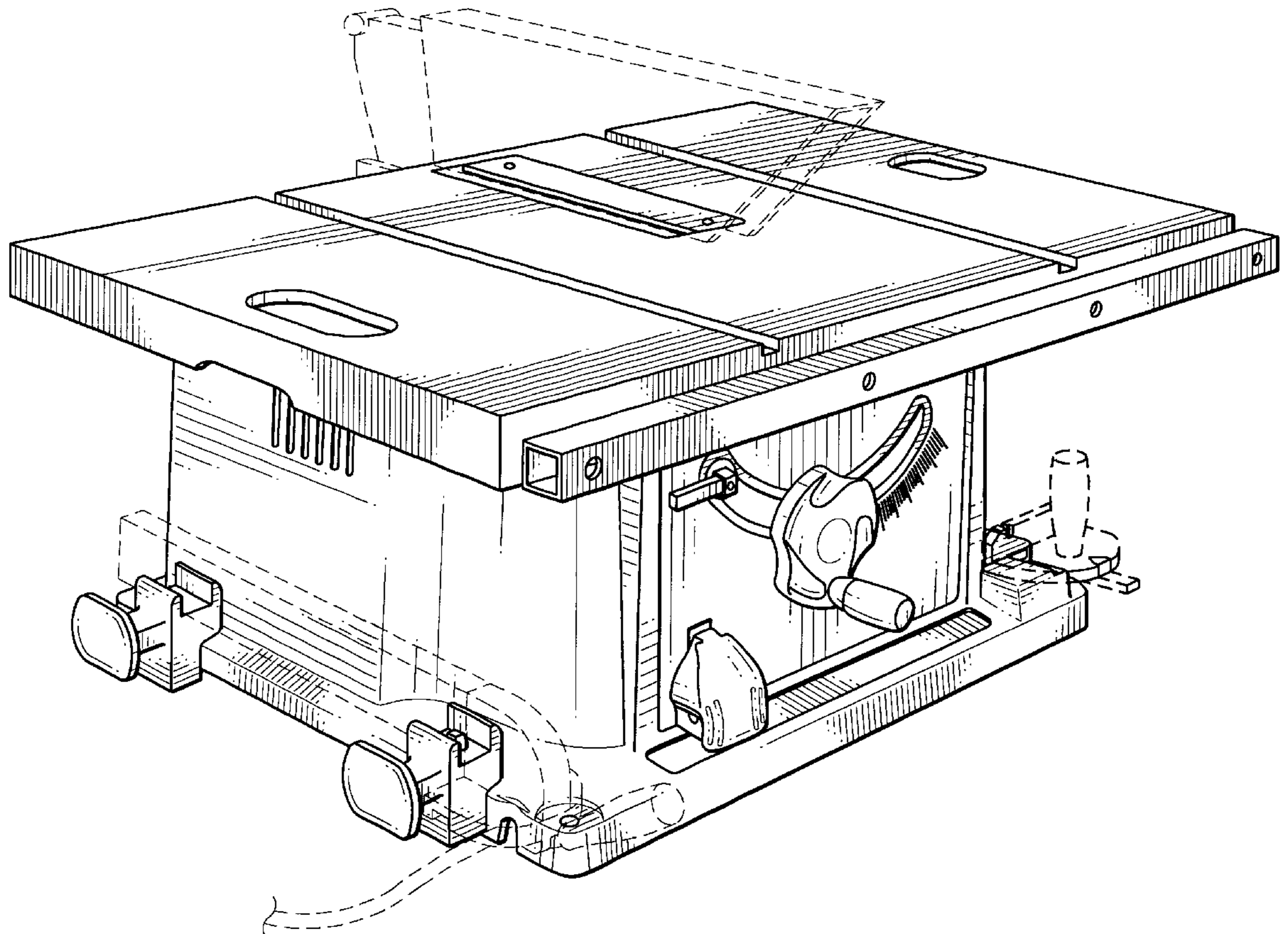
(57) **CLAIM**

The ornamental design for a table saw, as shown and described.

DESCRIPTION

FIG. 1 is a perspective view of a table saw showing our new design;
FIG. 2 is a front plan elevation view thereof;
FIG. 3 is a left plan elevation view thereof;
FIG. 4 is a right plan elevation view thereof;
FIG. 5 is a rear plan elevation view thereof;
FIG. 6 is a top view thereof; and,
FIG. 7 is a perspective view of the table saw of FIG. 1 wherein guides shown in phantom therein are located on the top surface of the table.
The broken line showing is for illustrative purposes only and forms no part of the claimed design.

1 Claim, 7 Drawing Sheets



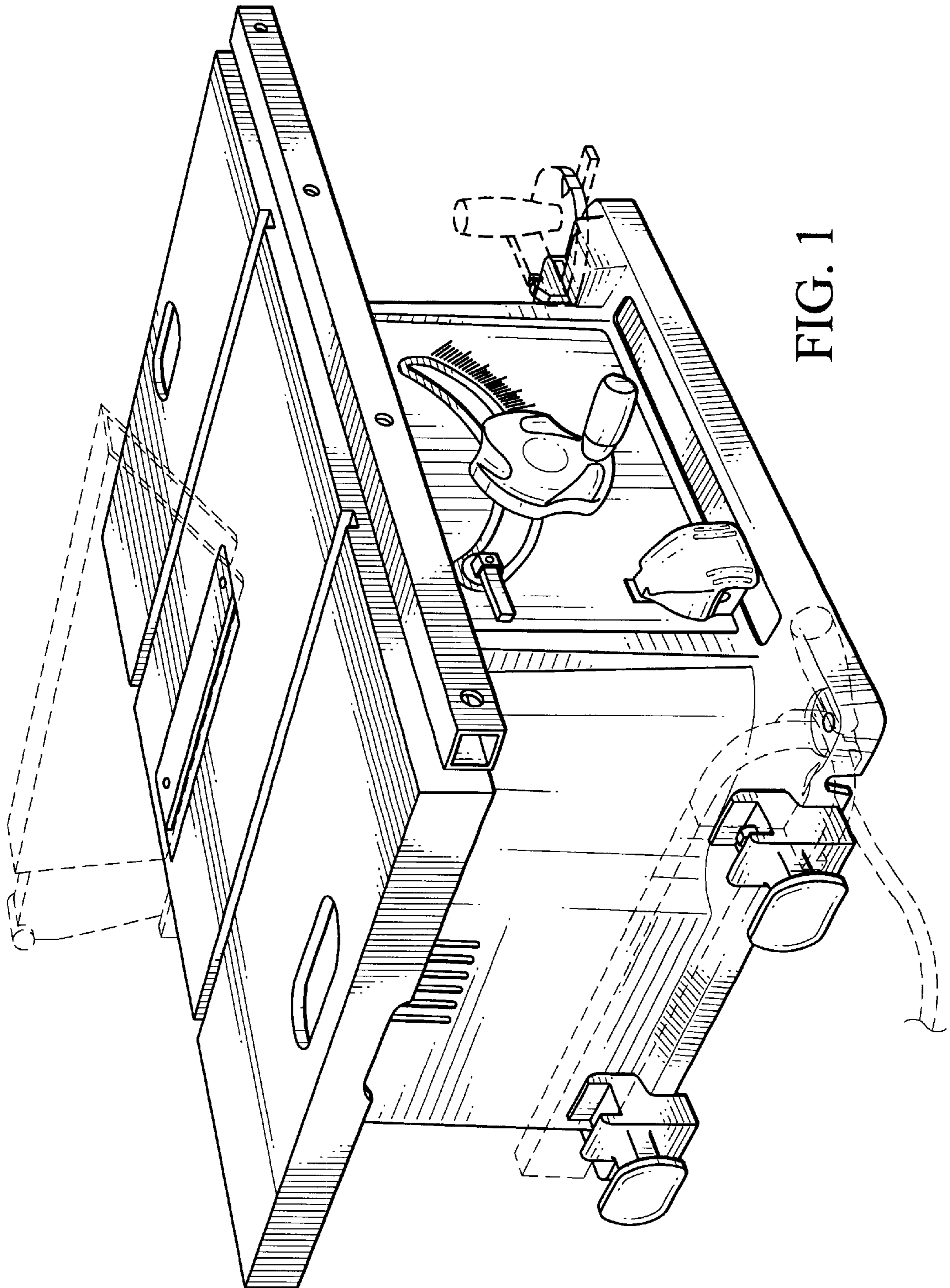


FIG. 1

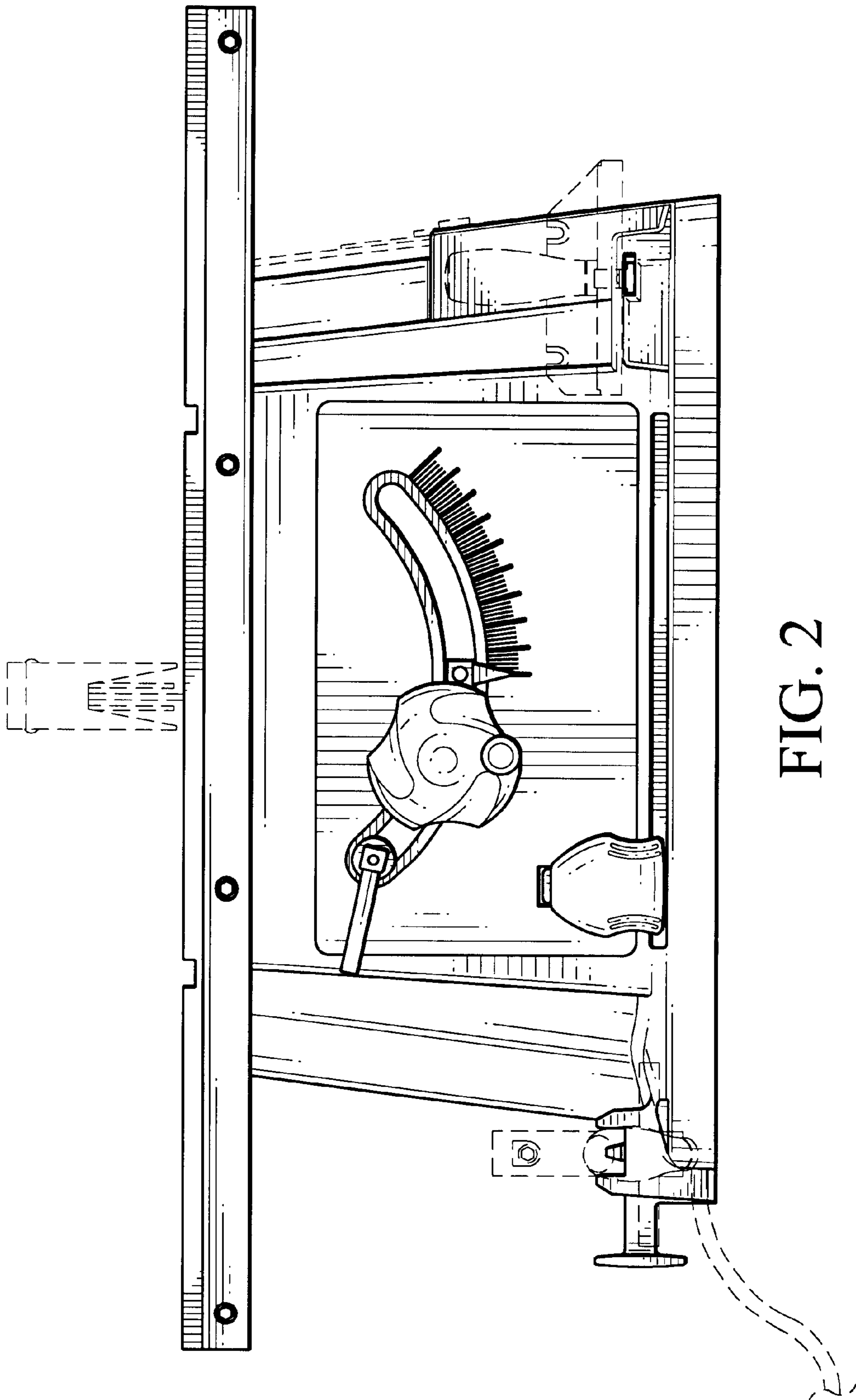


FIG. 2

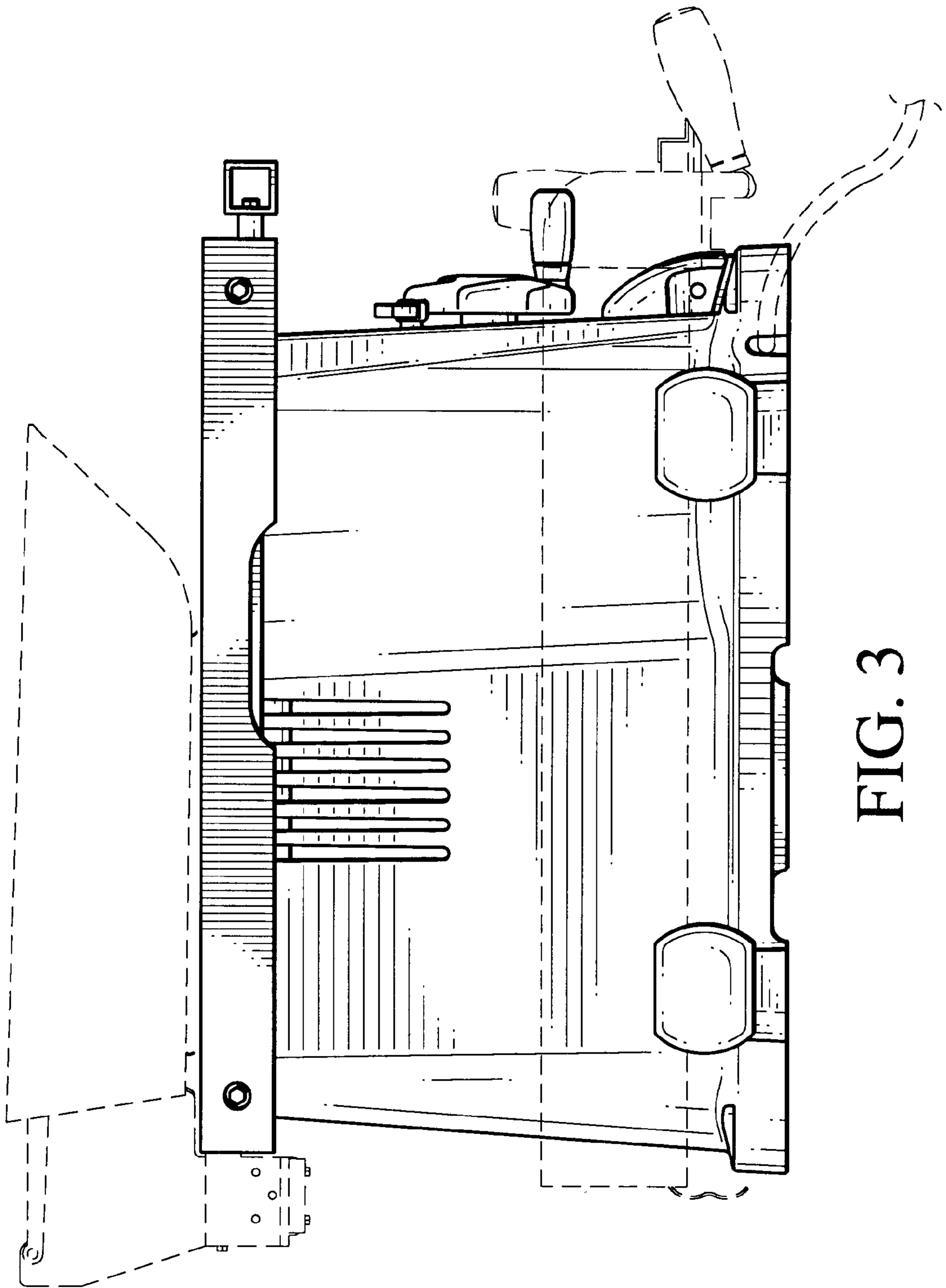


FIG. 3

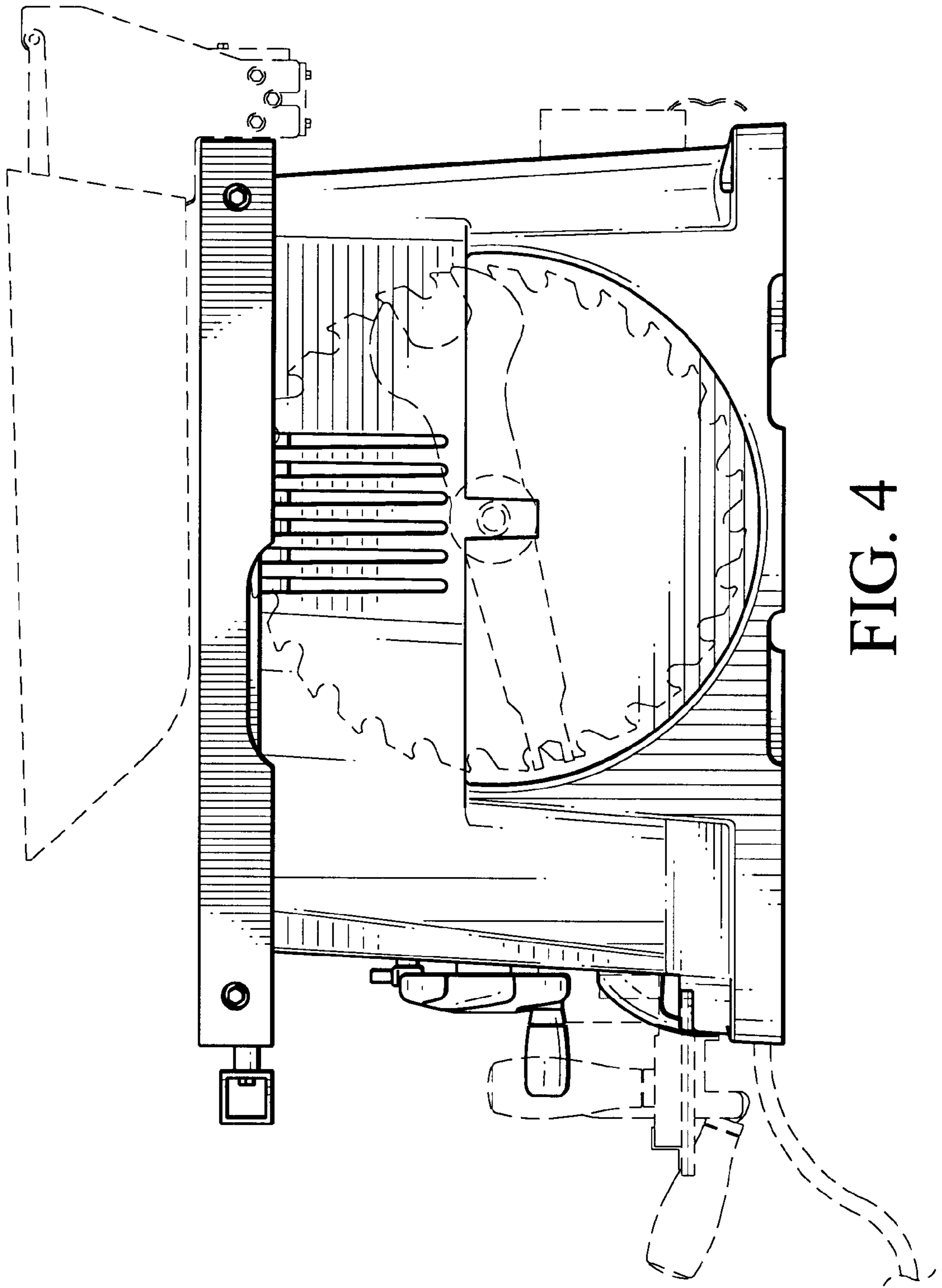


FIG. 4

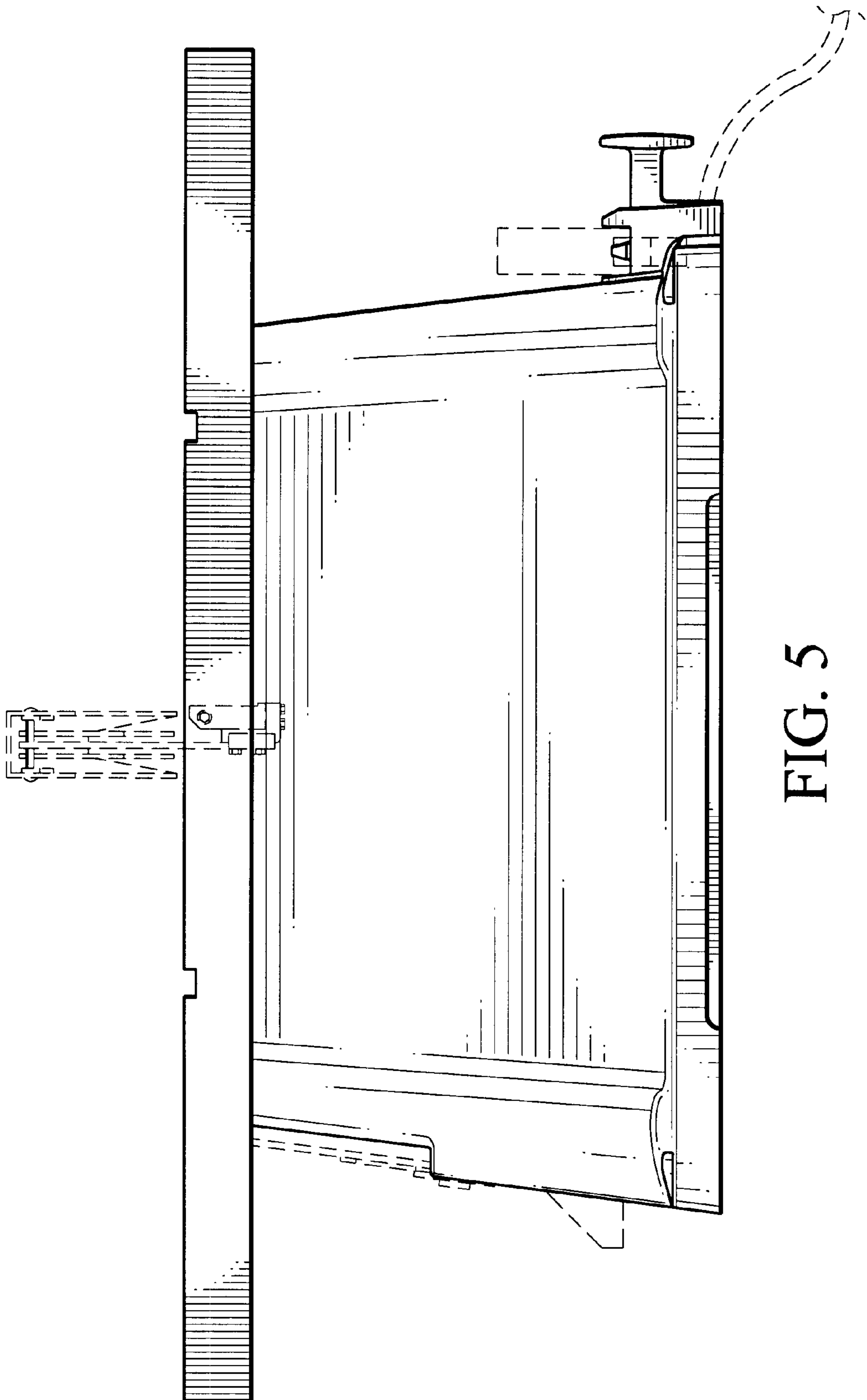


FIG. 5

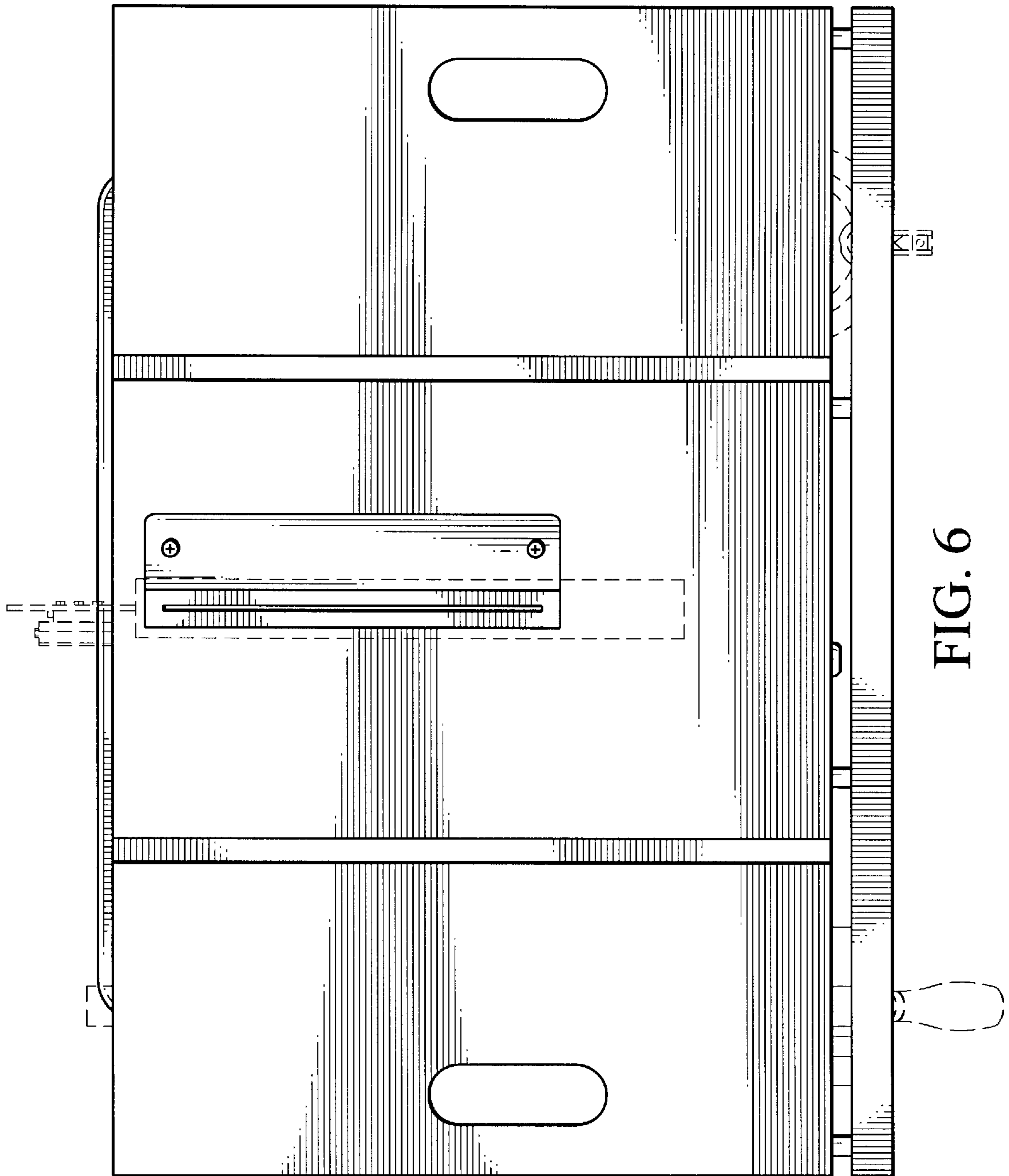


FIG. 6

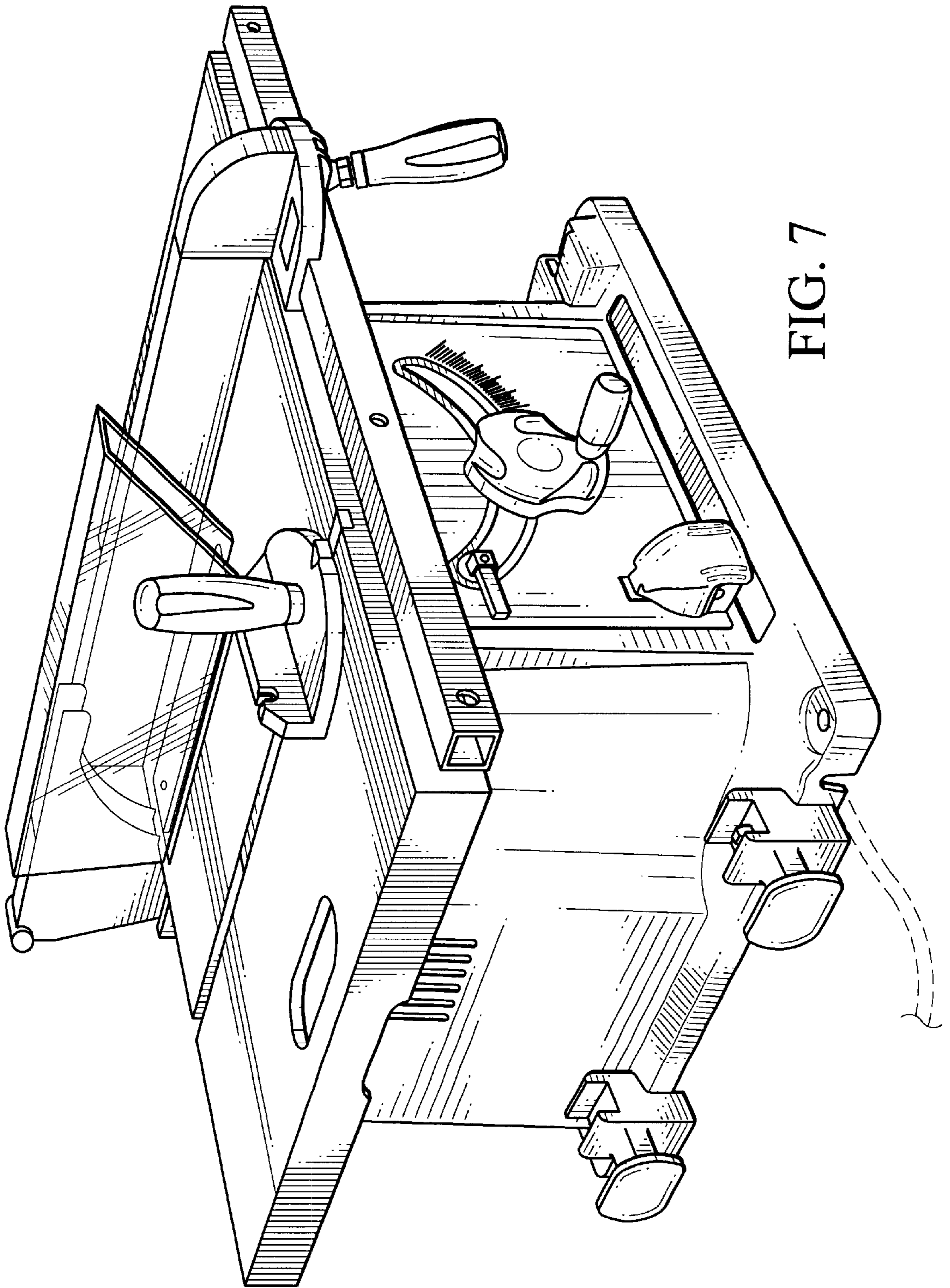


FIG. 7