



US00D458944S

(12) **United States Design Patent**
Crookes et al.

(10) **Patent No.:** **US D458,944 S**

(45) **Date of Patent:** **** Jun. 18, 2002**

(54) **TRACTOR HOOD**

(75) Inventors: **William Edward Crookes**, Ann Arbor, MI (US); **Bengt Ake Nestell**, Pottstown, PA (US); **Rodney Keith Rowland**, Waverly; **Eric Albert Keen**, Waterloo, both of IA (US)

(73) Assignee: **Deere & Company**, Moline, IL (US)

(**) Term: **14 Years**

(21) Appl. No.: **29/143,015**

(22) Filed: **Jun. 6, 2001**

(51) **LOC (7) Cl.** **15-03**

(52) **U.S. Cl.** **D15/31**

(58) **Field of Search** D15/15, 17, 28,
D15/33; 180/89.1, 89.2, 900; 296/186,
187, 190, 901; 56/320.1, 320.2, 255; D12/163,
173

(56) **References Cited**

U.S. PATENT DOCUMENTS

| | | | |
|-------------|----------|------------------------|--------|
| D329,242 S | 9/1992 | Holm et al. | |
| 5,152,364 A | 10/1992 | Woods et al. | |
| D339,357 S | 9/1993 | Teal et al. | |
| D355,423 S | * 2/1995 | Woods et al. | D15/23 |
| D381,341 S | 7/1997 | Goebert et al. | |
| D383,470 S | * 9/1997 | Westimayer et al. | D15/31 |
| D389,492 S | * 1/1998 | Schmidt et al. | D15/31 |
| D413,905 S | * 9/1999 | Schmidt et al. | D15/31 |

| | | | | |
|------------|---|--------|------------------------|---------|
| D439,586 S | * | 3/2001 | Moehle et al. | D15/33 |
| D445,383 S | * | 7/2001 | Price | D12/163 |
| D445,739 S | * | 7/2001 | Price | D12/173 |
| D448,037 S | * | 9/2001 | Westimayer et al. | D15/31 |

OTHER PUBLICATIONS

8000/8000T Ten Series Tractors brochure. (165-to 235-hp tractors on tires or tracks) 35 Pages.

* cited by examiner

Primary Examiner—Mitchell Siegel

(57) **CLAIM**

The ornamental design for a tractor hood, design as shown and described.

DESCRIPTION

FIG. 1 is an elevated side perspective view of a tractor hood showing our new design.

FIG. 2 is a top view of the tractor hood design of FIG. 1.

FIG. 3 is a left side view of the tractor hood design of FIG. 1.

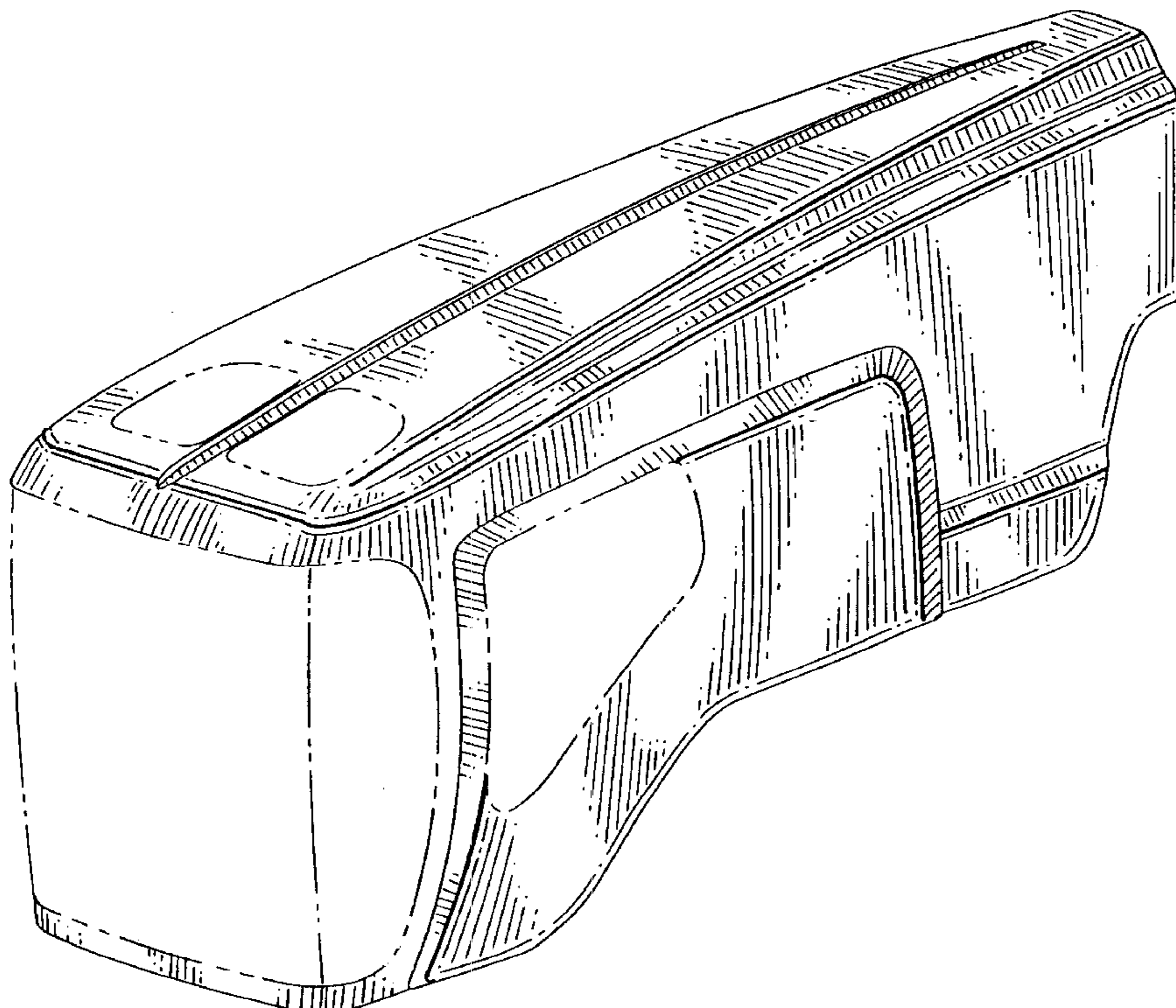
FIG. 4 is a right side view of the tractor hood design of FIG. 1.

FIG. 5 is a front view of the tractor hood design of FIG. 1; and,

FIG. 6 is a rear view of the tractor hood design of FIG. 1.

The broken line showing is for illustrative purposes only and forms no part of the claimed design.

1 Claim, 3 Drawing Sheets



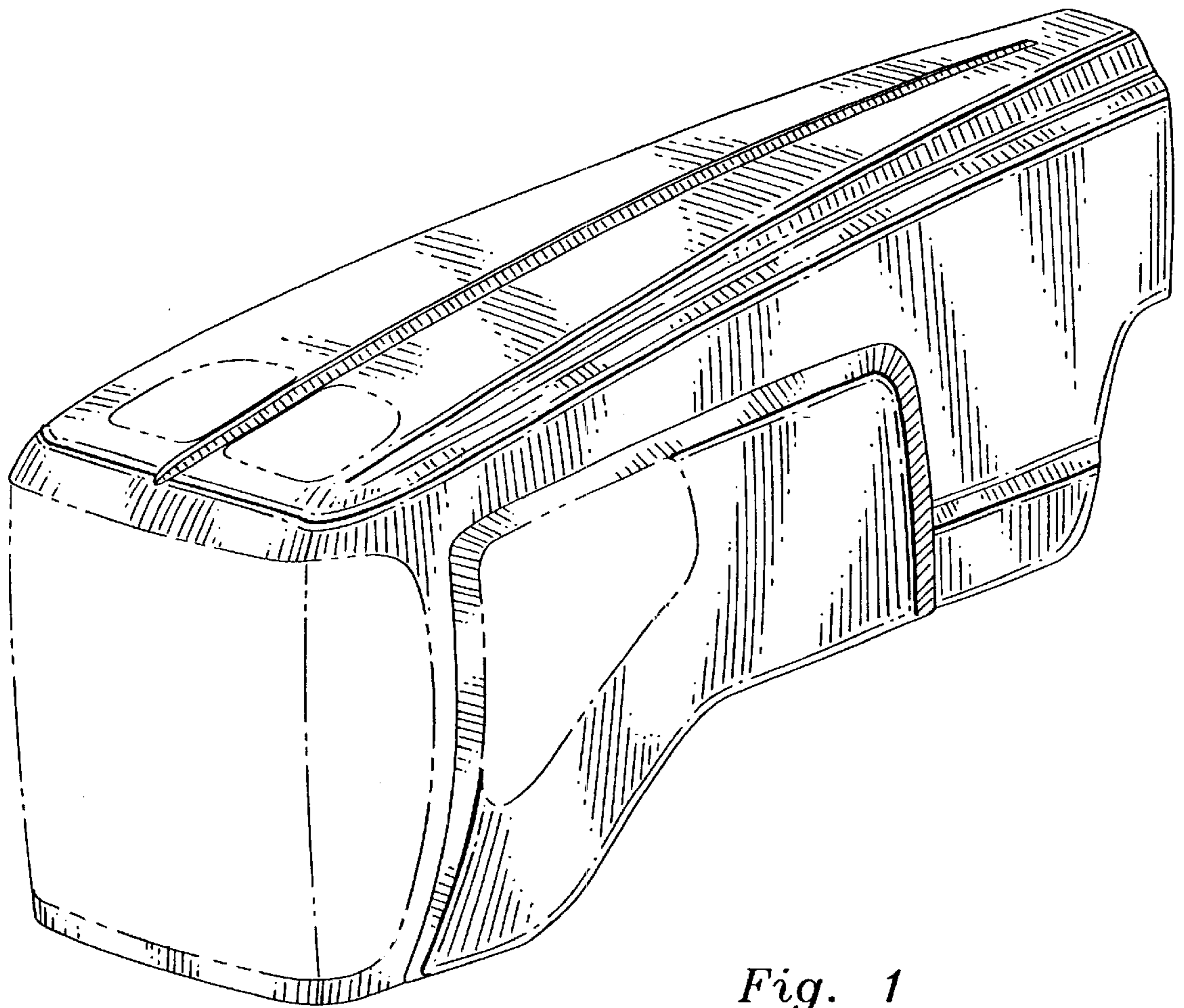


Fig. 1

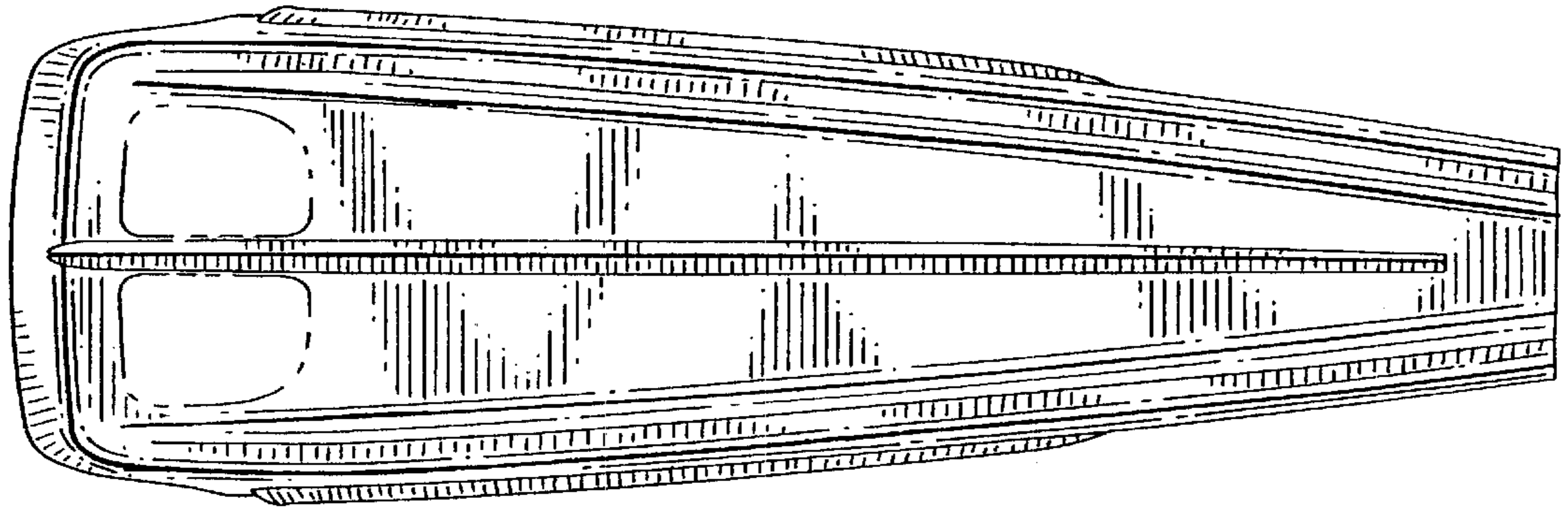


Fig. 2

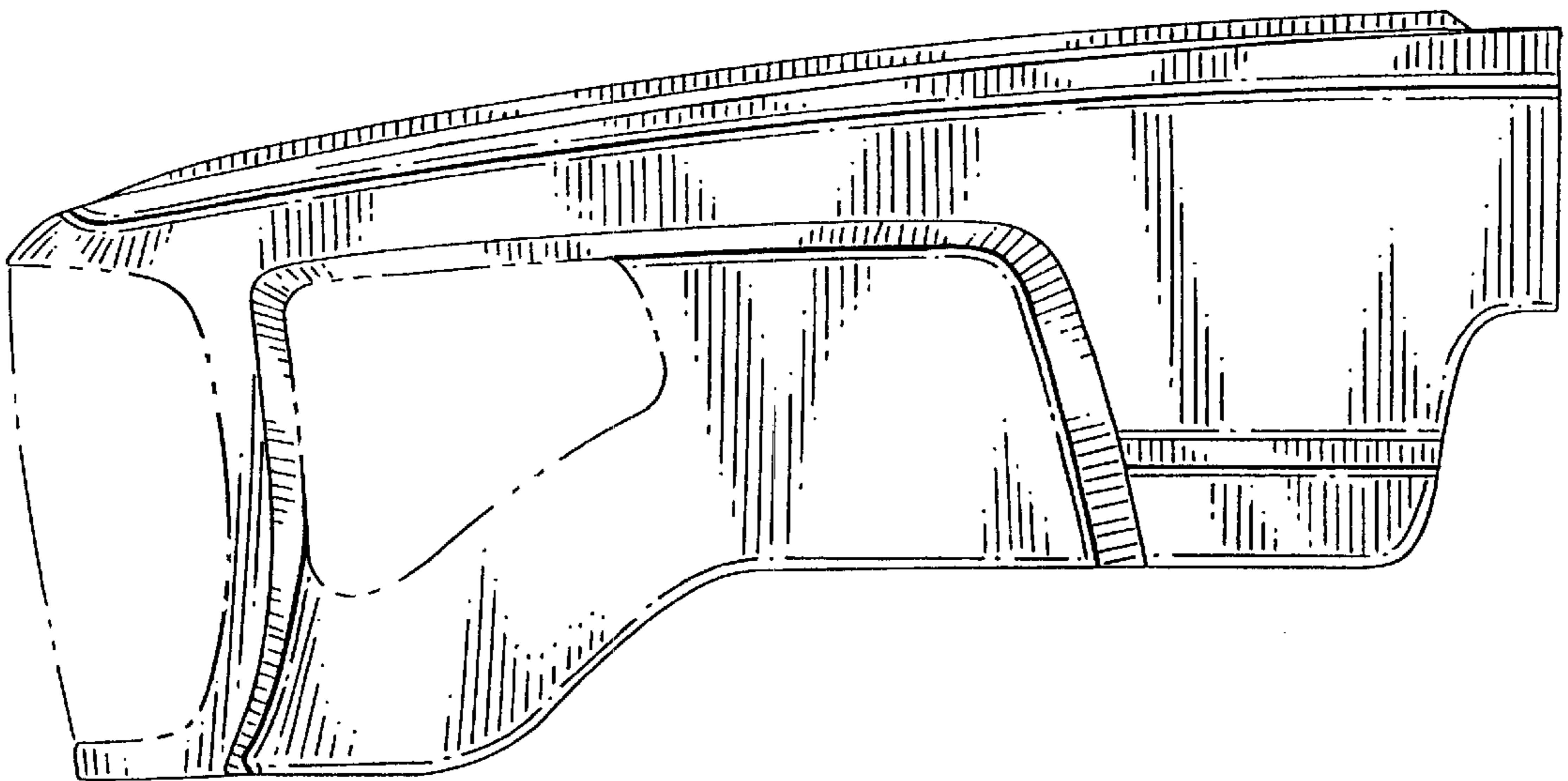


Fig. 3

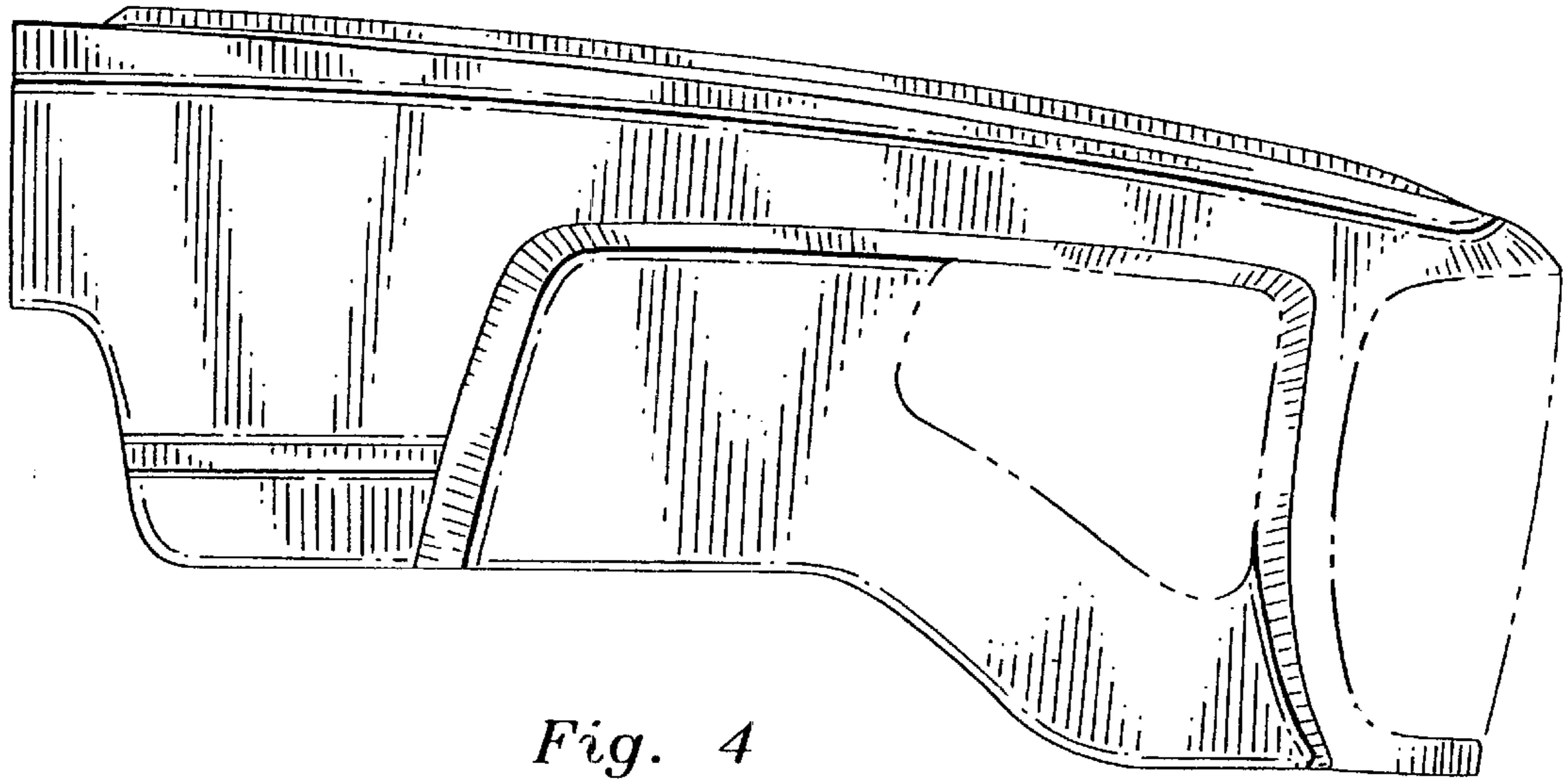


Fig. 4

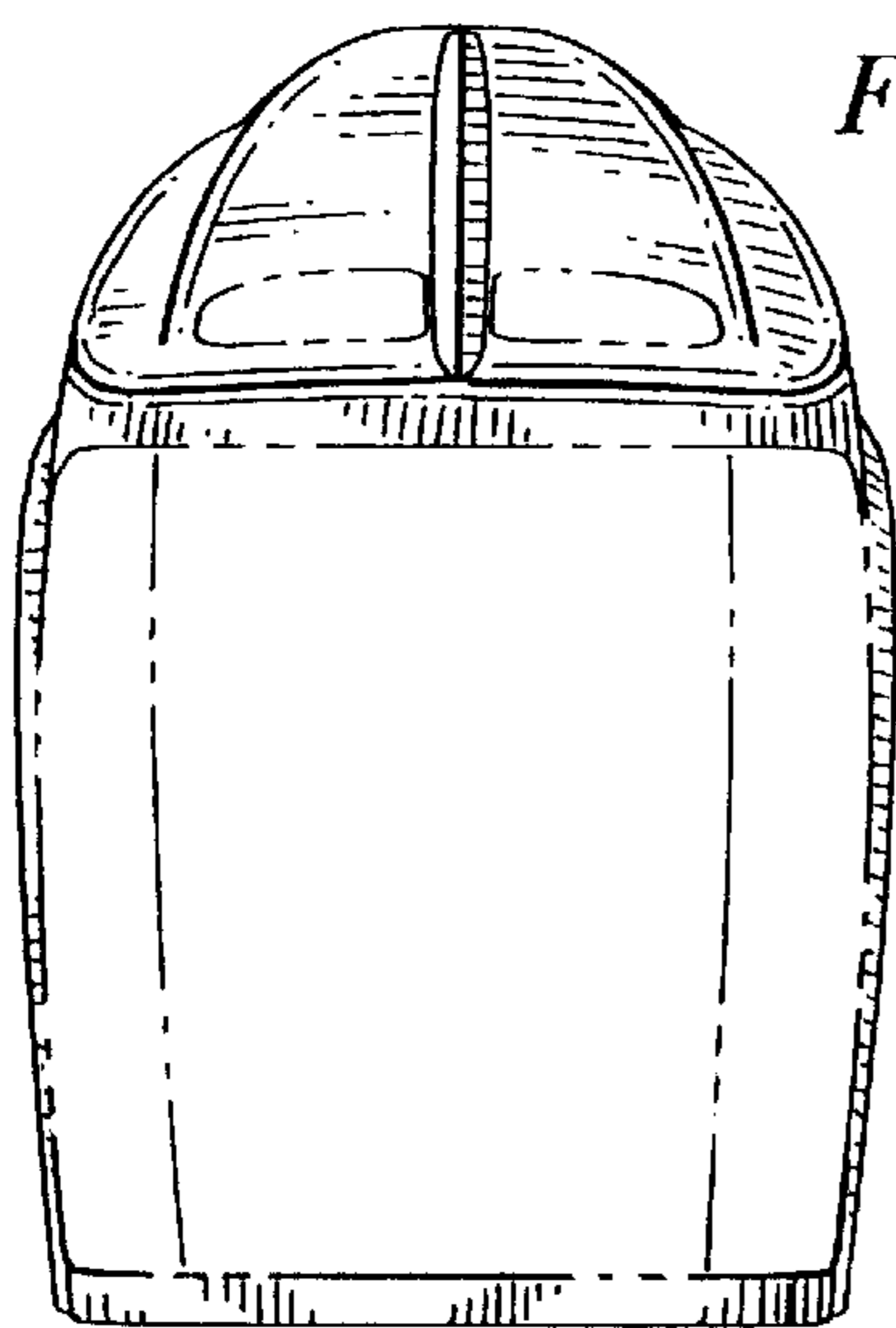


Fig. 5

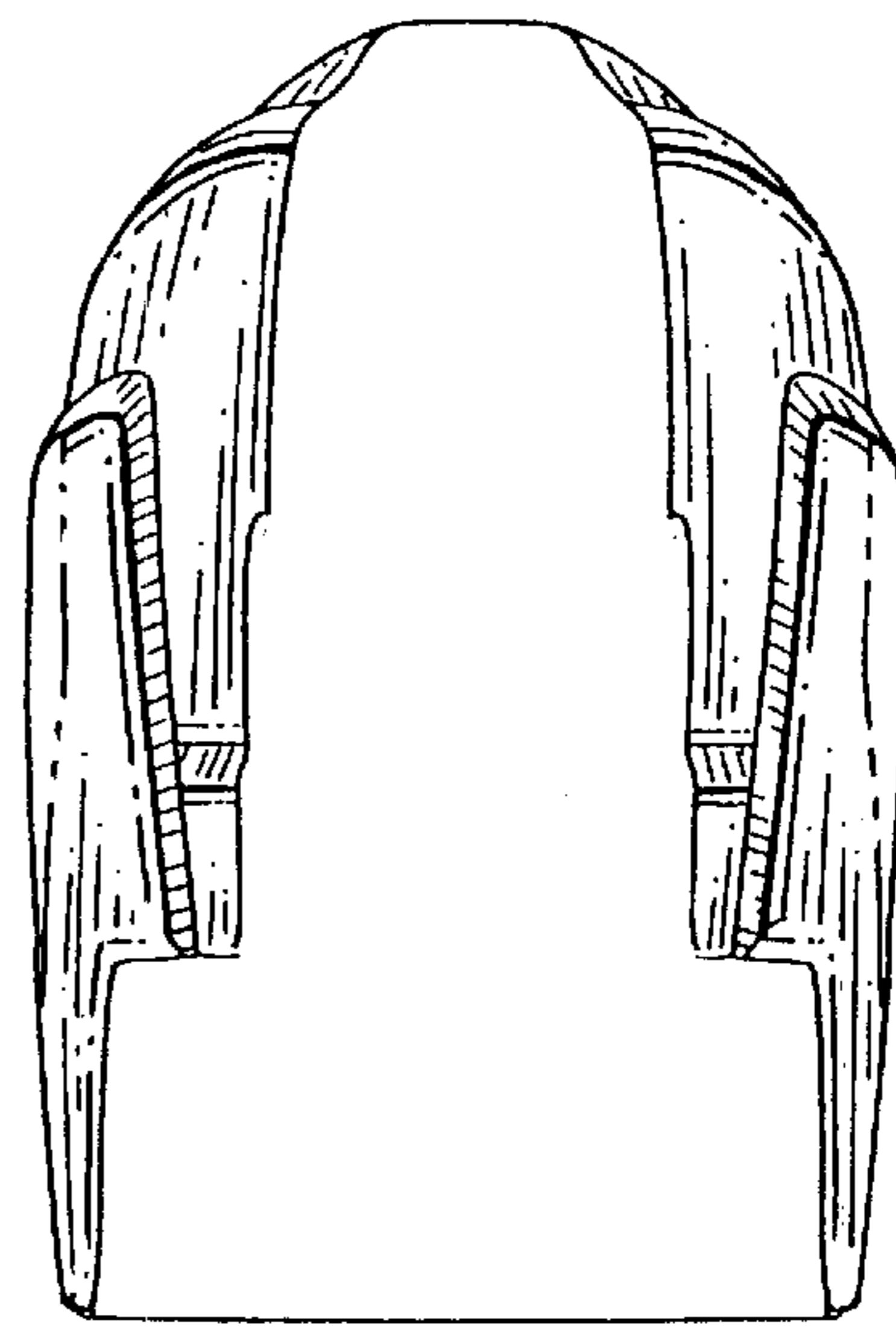


Fig. 6