



US00D458942S

(12) **United States Design Patent**  
**Balemi**

(10) **Patent No.:** **US D458,942 S**  
(45) **Date of Patent:** **\*\* Jun. 18, 2002**

(54) **COUPLER**

(75) **Inventor:** **Stephen Joseph Balemi, Auckland (NZ)**

(73) **Assignee:** **JB Sales International Limited, Auckland (NZ)**

(\*\*) **Term:** **14 Years**

(21) **Appl. No.:** **29/133,969**

(22) **Filed:** **Dec. 13, 2000**

(30) **Foreign Application Priority Data**

Jun. 13, 2000 (NZ) ..... 400851

(51) **LOC (7) Cl.** ..... **12-09**

(52) **U.S. Cl.** ..... **D15/28**

(58) **Field of Search** ..... D8/382, 383, 499;  
D15/28, 32; 414/723; 37/468; 172/272

(56) **References Cited**

**U.S. PATENT DOCUMENTS**

D189,487 S	*	12/1960	Gale	.....	D8/383
4,214,840 A	*	7/1980	Beales	.....	414/723
D272,070 S	*	1/1984	Larsson	.....	D15/28
D272,250 S	*	1/1984	Larsson	.....	D15/28
D272,720 S	*	2/1984	Skjaeveland	.....	D8/394
5,332,353 A	*	7/1994	Arnold	.....	414/723
5,382,110 A	*	1/1995	Perotto et al.	.....	172/272
5,546,683 A	*	8/1996	Clark	.....	37/468

D386,365 S	*	11/1997	Rimback et al.	.....	D8/392
5,791,863 A	*	8/1998	Droegemueller	.....	414/723
D399,008 S	*	9/1998	Thomas	.....	D24/232
D407,301 S	*	3/1999	Donalies	.....	D8/382
D416,786 S	*	11/1999	Chen	.....	D8/382
6,132,130 A	*	10/2000	McCann	.....	403/322
6,158,950 A	*	12/2000	Wilt et al.	.....	414/723
D440,983 S	*	4/2001	Miller et al.	.....	D15/28
6,233,852 B1	*	5/2001	Pemberton	.....	37/468
6,254,331 B1	*	7/2001	Pisco et al.	.....	414/723
6,312,212 B1	*	11/2001	Burlew, Jr.	.....	414/723
6,336,785 B1	*	1/2002	Kunzman	.....	414/723

\* cited by examiner

*Primary Examiner*—Alan P. Douglas

*Assistant Examiner*—Clare E. Heflin

(74) *Attorney, Agent, or Firm*—Jacobson Holman, PLLC

(57) **CLAIM**

The ornamental design for a coupler, as shown and described.

**DESCRIPTION**

FIG. 1 is a front perspective view showing my new design for a coupler,

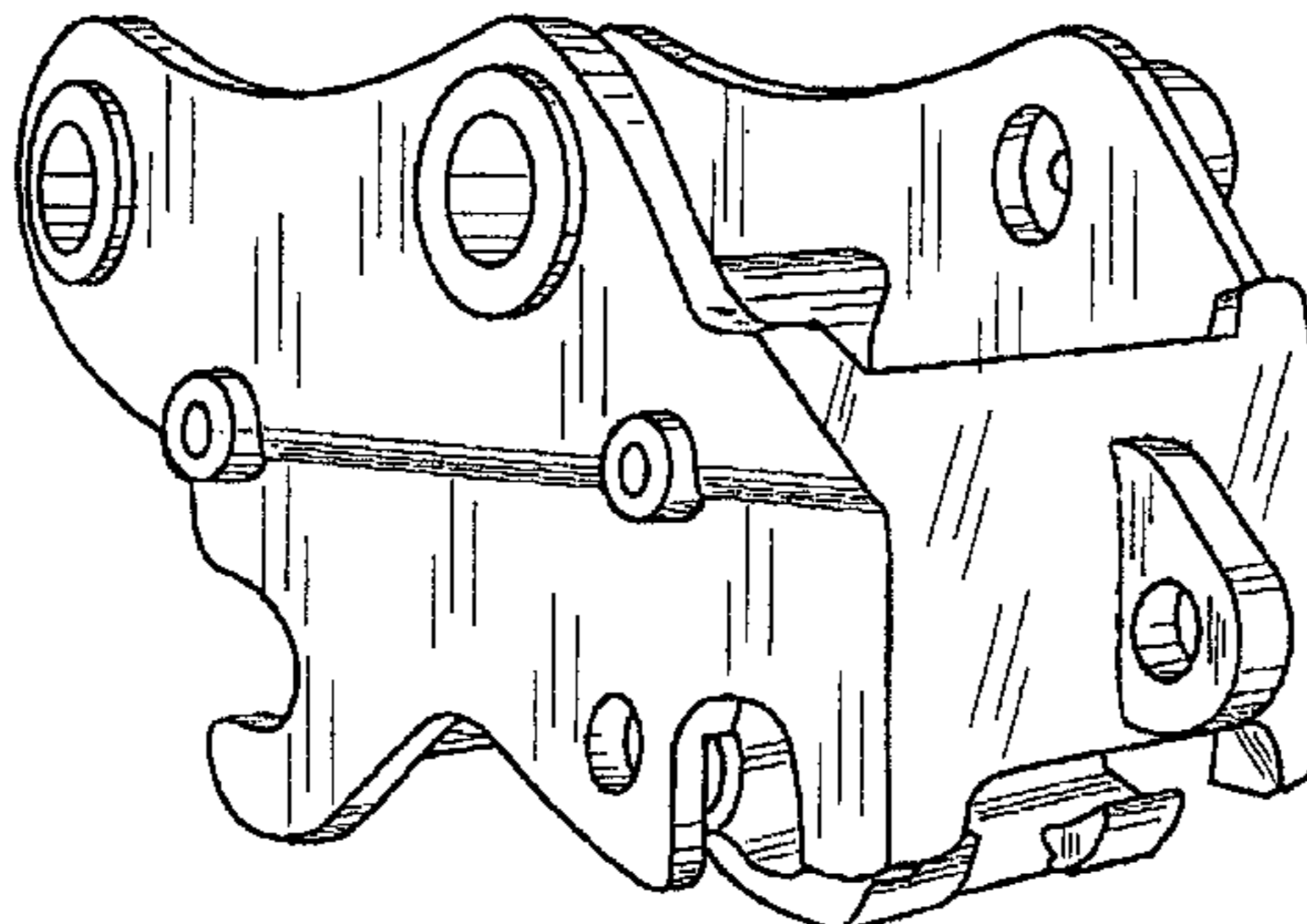
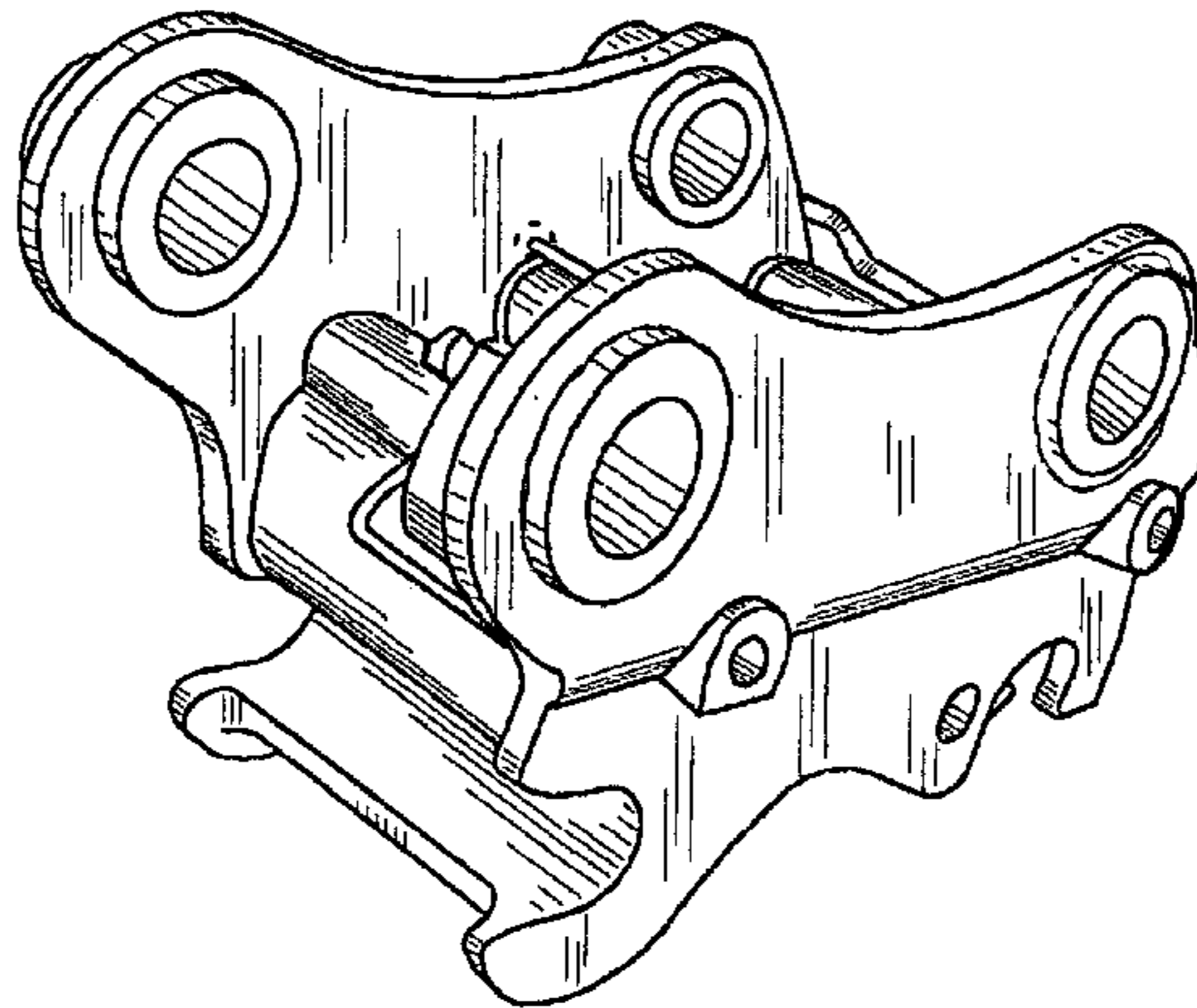
FIG. 2 is a rear perspective view thereof;

FIG. 3 is a side perspective view thereof;

FIG. 4 is a top view thereof; and,

FIG. 5 is a bottom perspective view thereof.

**1 Claim, 3 Drawing Sheets**



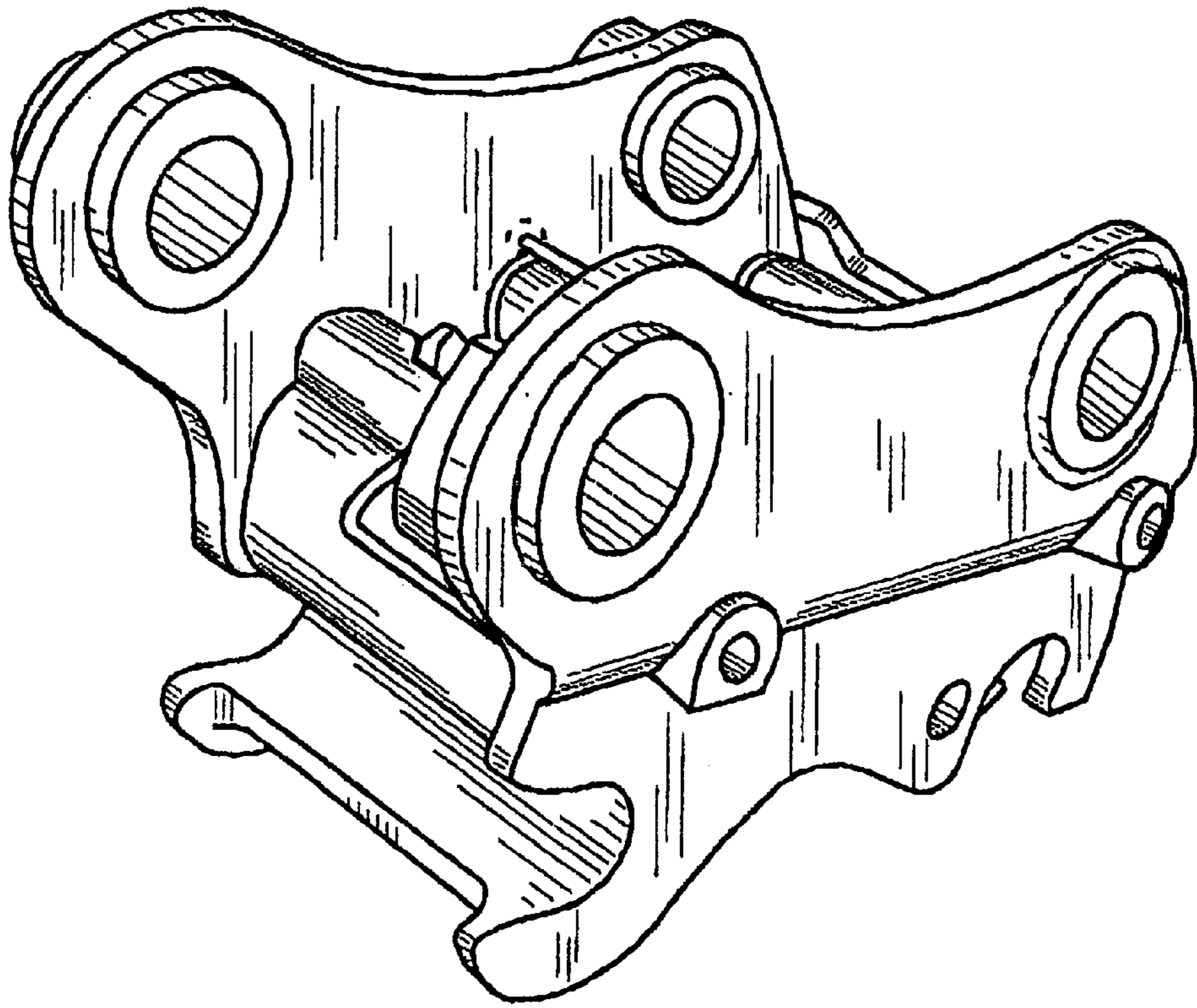


FIG. 1

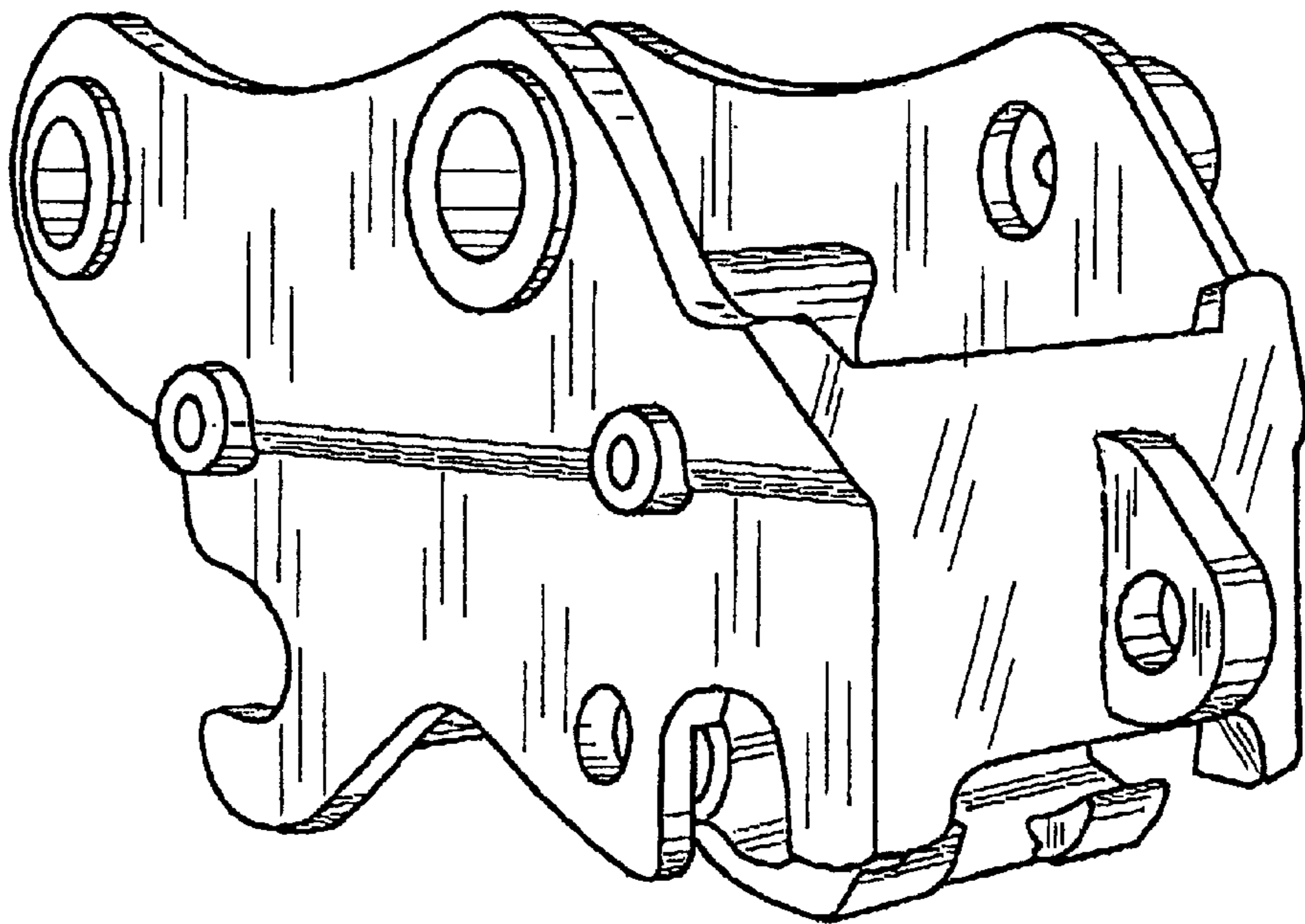


FIG. 2

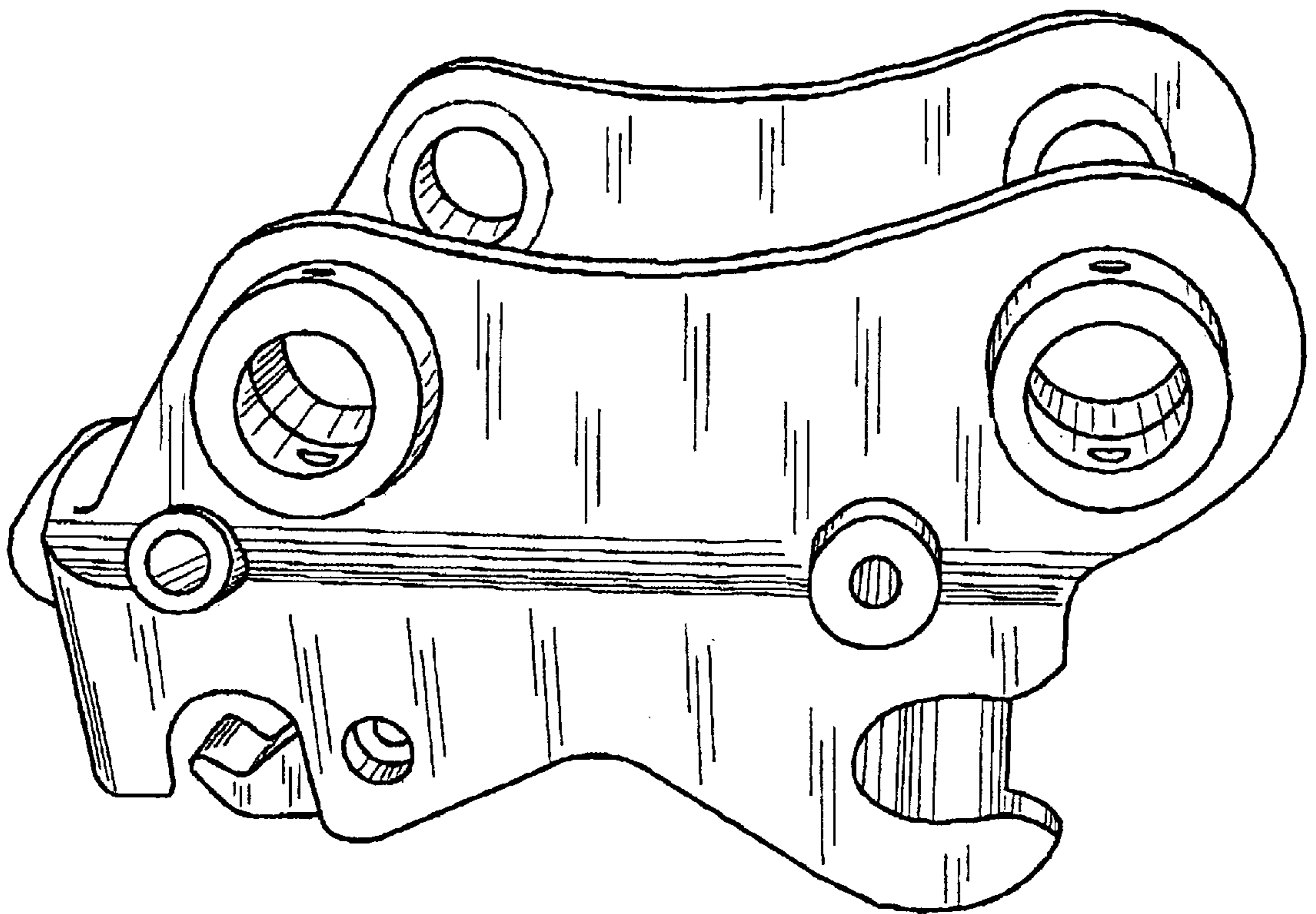


FIG. 3

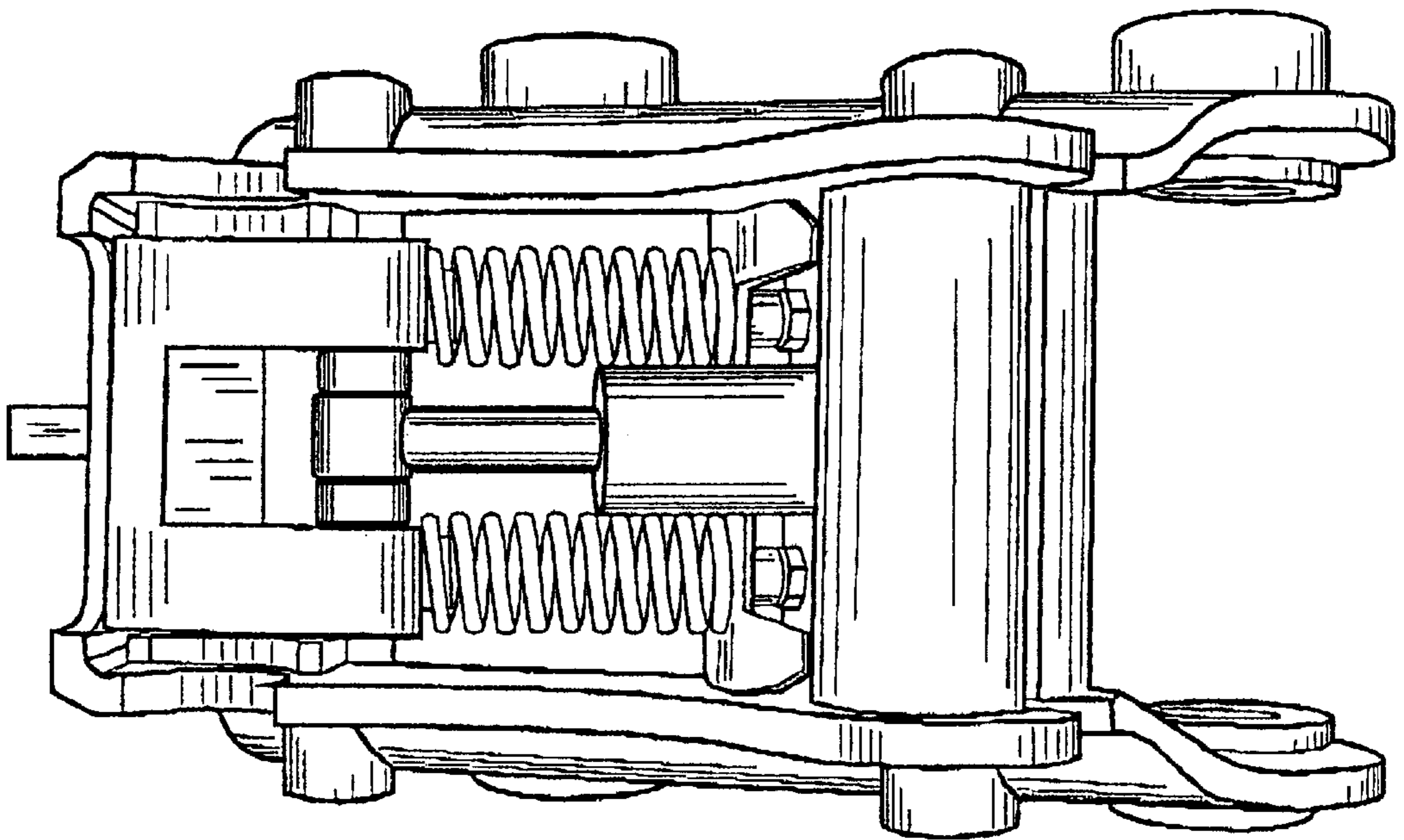


FIG. 4

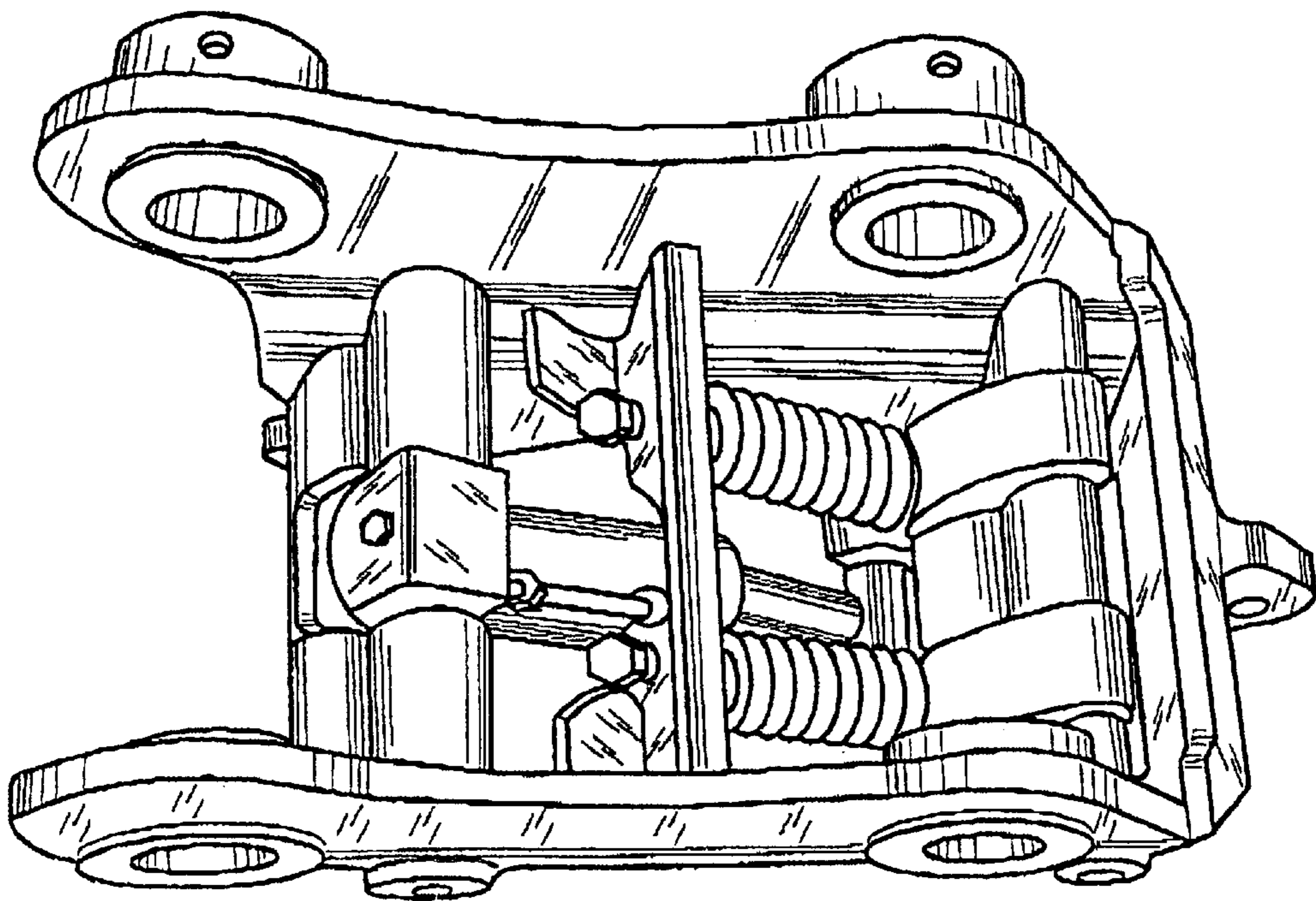


FIG. 5