



US00D458941S

(12) **United States Design Patent**
Miyanishi et al.

(10) **Patent No.:** **US D458,941 S**
(45) **Date of Patent:** **** Jun. 18, 2002**

(54) **BACKHOE**

(75) Inventors: **Masami Miyanishi; Takuzou Kawamura; Hiroaki Ayabe**, all of Osaka; **Masao Nagata**, Okayama, all of (JP)

(73) Assignees: **Yanmar Diesel Engine Co.**, Osaka; **Seirei Industry Co., Ltd.**, Okayama-Ken, both of (JP)

(**) Term: **14 Years**

(21) Appl. No.: **29/149,790**

(22) Filed: **Oct. 17, 2001**

Related U.S. Application Data

(62) Division of application No. 29/134,822, filed on Dec. 28, 2000.

(30) **Foreign Application Priority Data**

Jul. 4, 2000 (JP) 2000-018228
Jul. 4, 2000 (JP) 2000-018242

(51) **LOC (7) Cl.** **12-09**

(52) **U.S. Cl.** **D15/25**

(58) **Field of Search** D15/23-25, 28, D15/30, 32; 180/9.1, 9.2, 89.12, 139, 235, 9.62, 14 R; 414/694, 699, 722-724

(56) **References Cited**

U.S. PATENT DOCUMENTS

D409,629 S * 5/1999 Miyaoaka et al. D15/25
D431,253 S * 9/2000 Marchetta et al. D15/25
D450,717 S * 11/2001 Muraro D15/25

* cited by examiner

Primary Examiner—Mitchell Siegel

(74) *Attorney, Agent, or Firm*—Nilles & Nilles S.C.

(57) **CLAIM**

The ornamental design for a backhoe, as shown and described.

DESCRIPTION

FIG. 1 is a front view showing a second embodiment of a backhoe according to the present invention;

FIG. 2 is a rear view showing the backhoe of FIG. 1;

FIG. 3 is a plan view showing the backhoe of FIG. 1;

FIG. 4 is a left view showing the backhoe of FIG. 1;

FIG. 5 is a right view showing the backhoe of FIG. 1; and,

FIG. 6 is a perspective view showing the backhoe of FIG. 1.

1 Claim, 4 Drawing Sheets

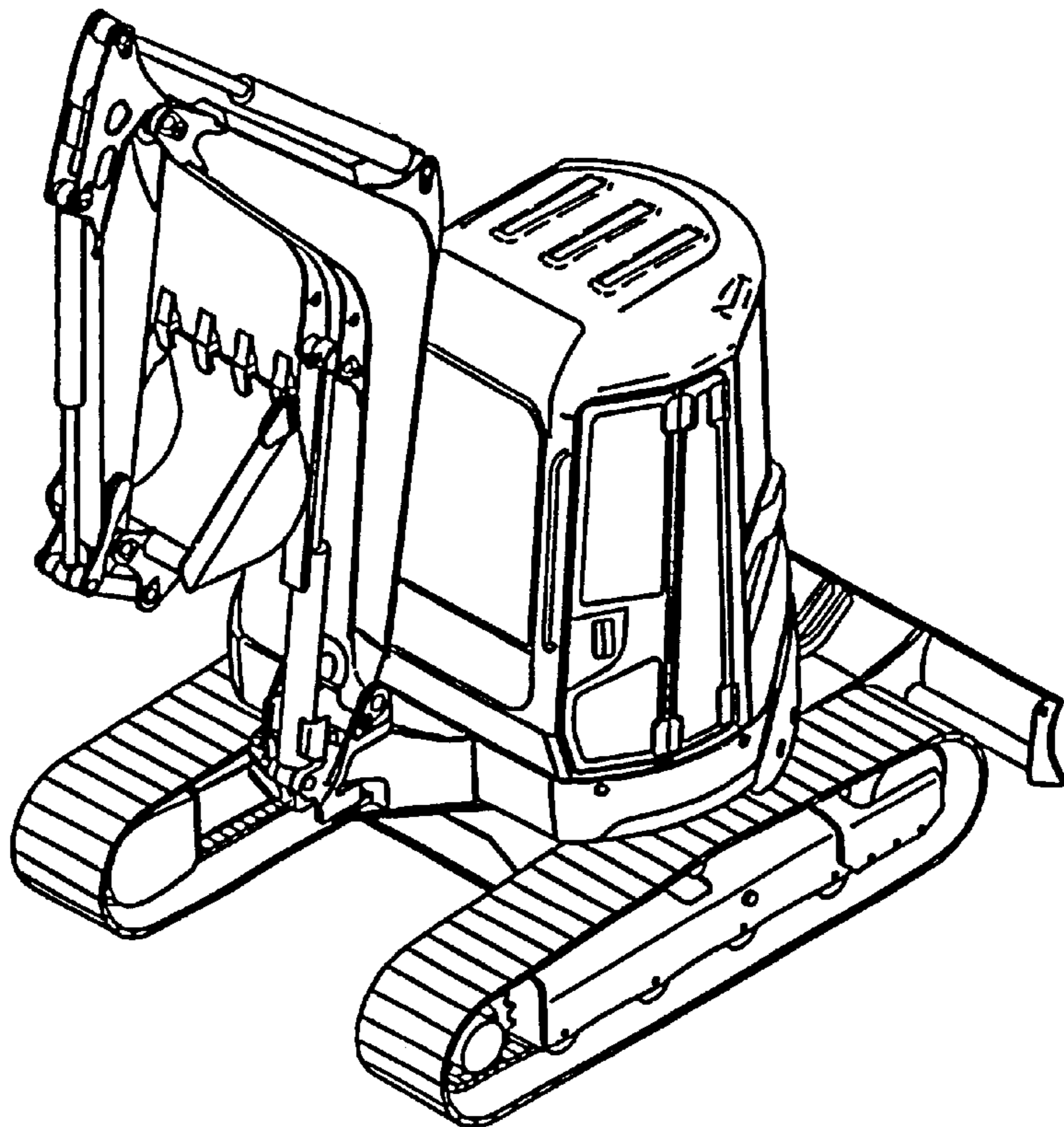


FIG. 1

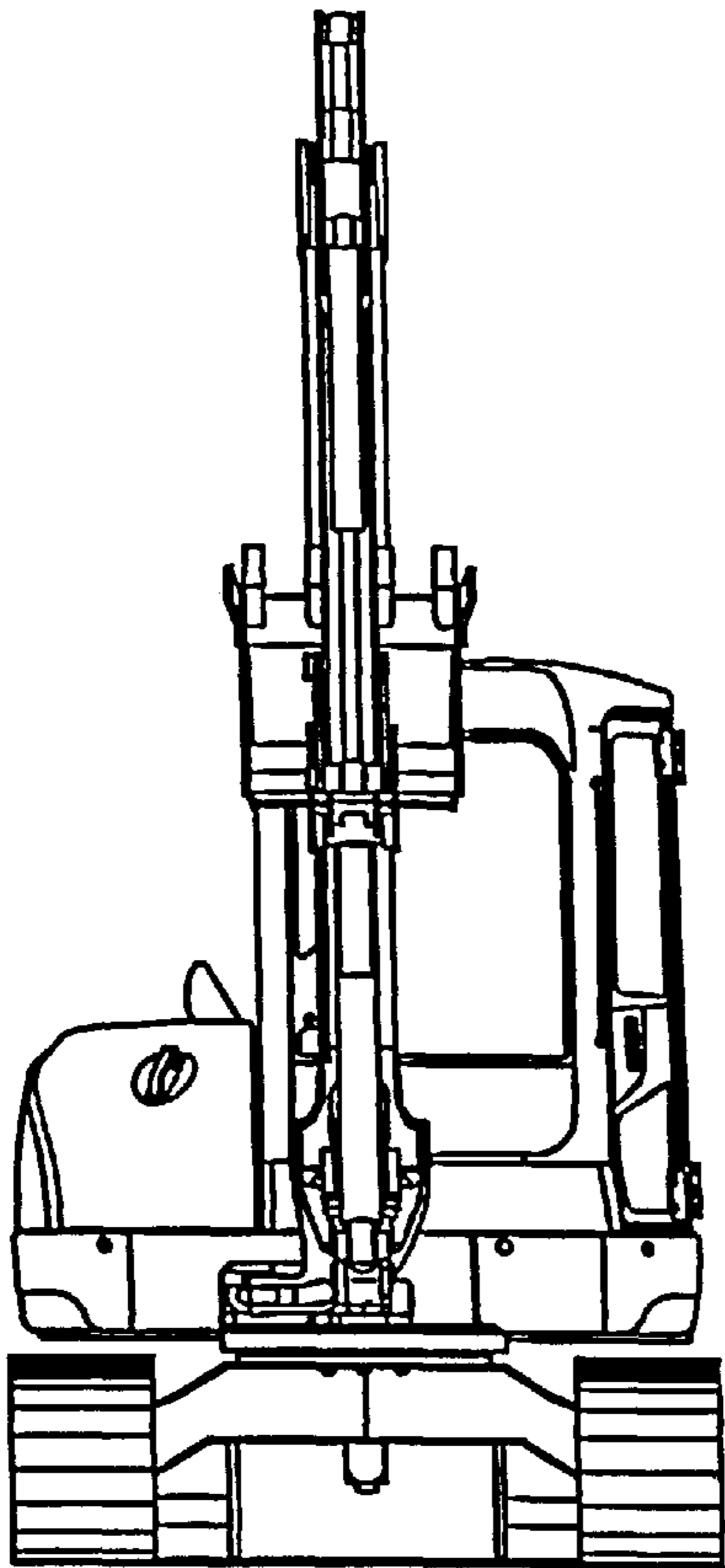


FIG. 2

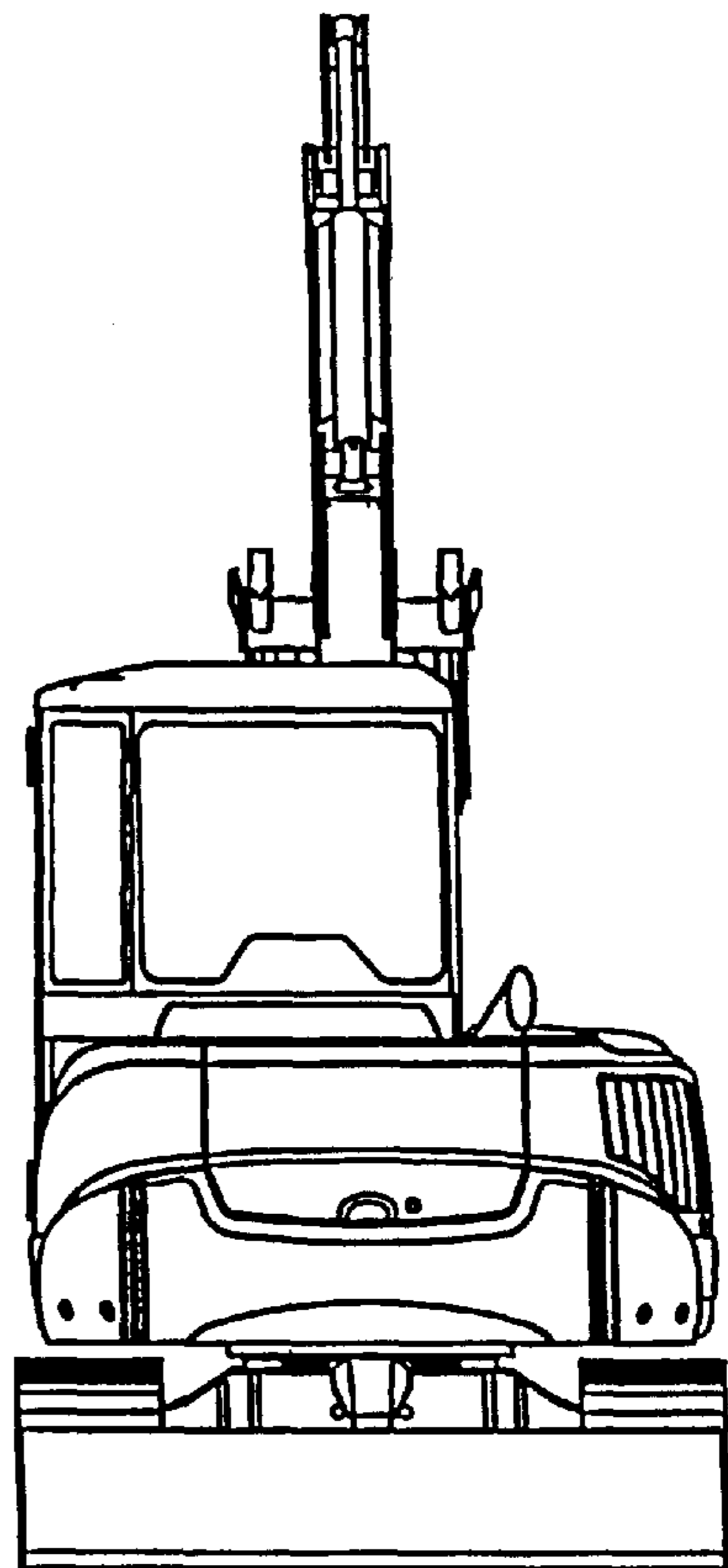


FIG. 3

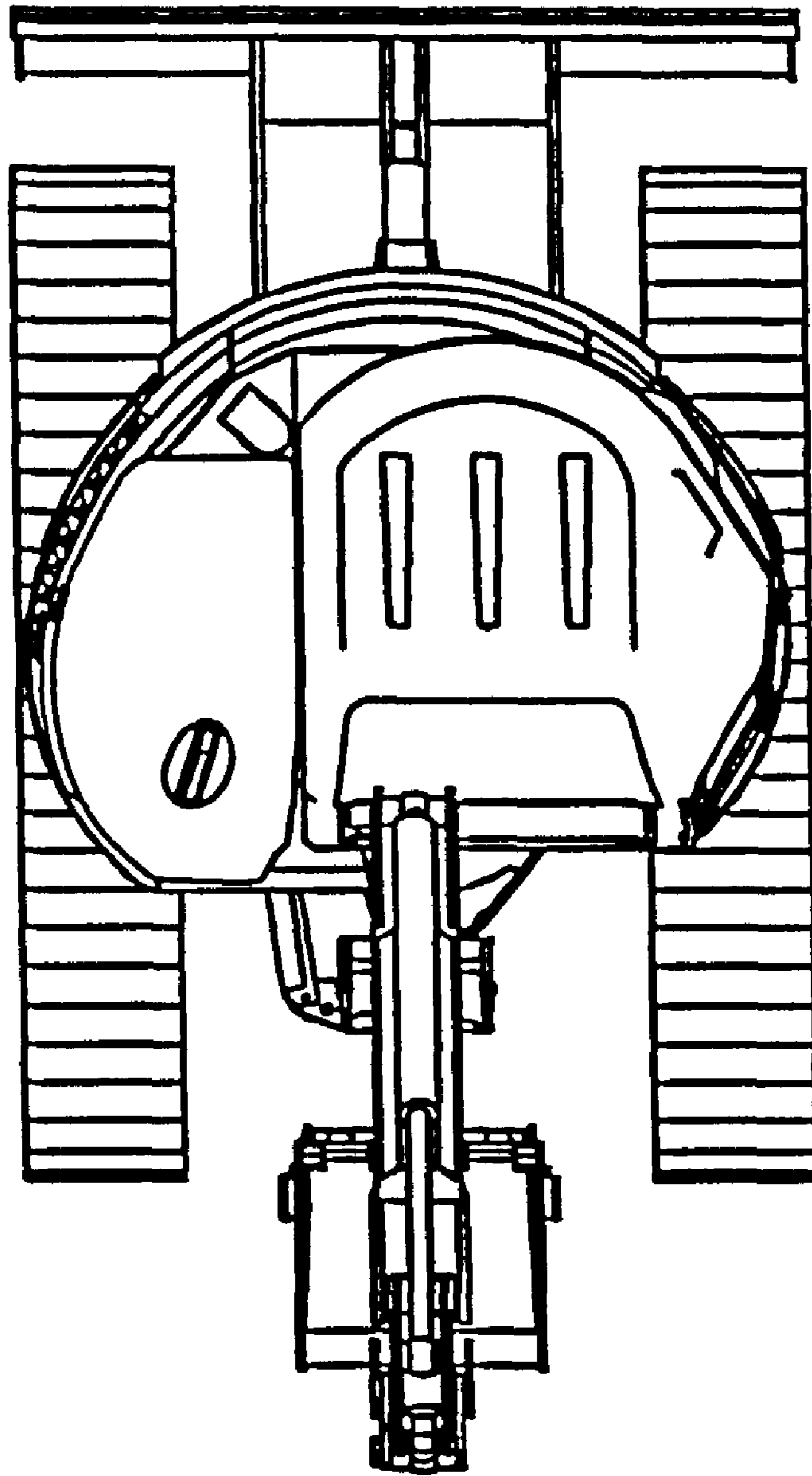


FIG. 4

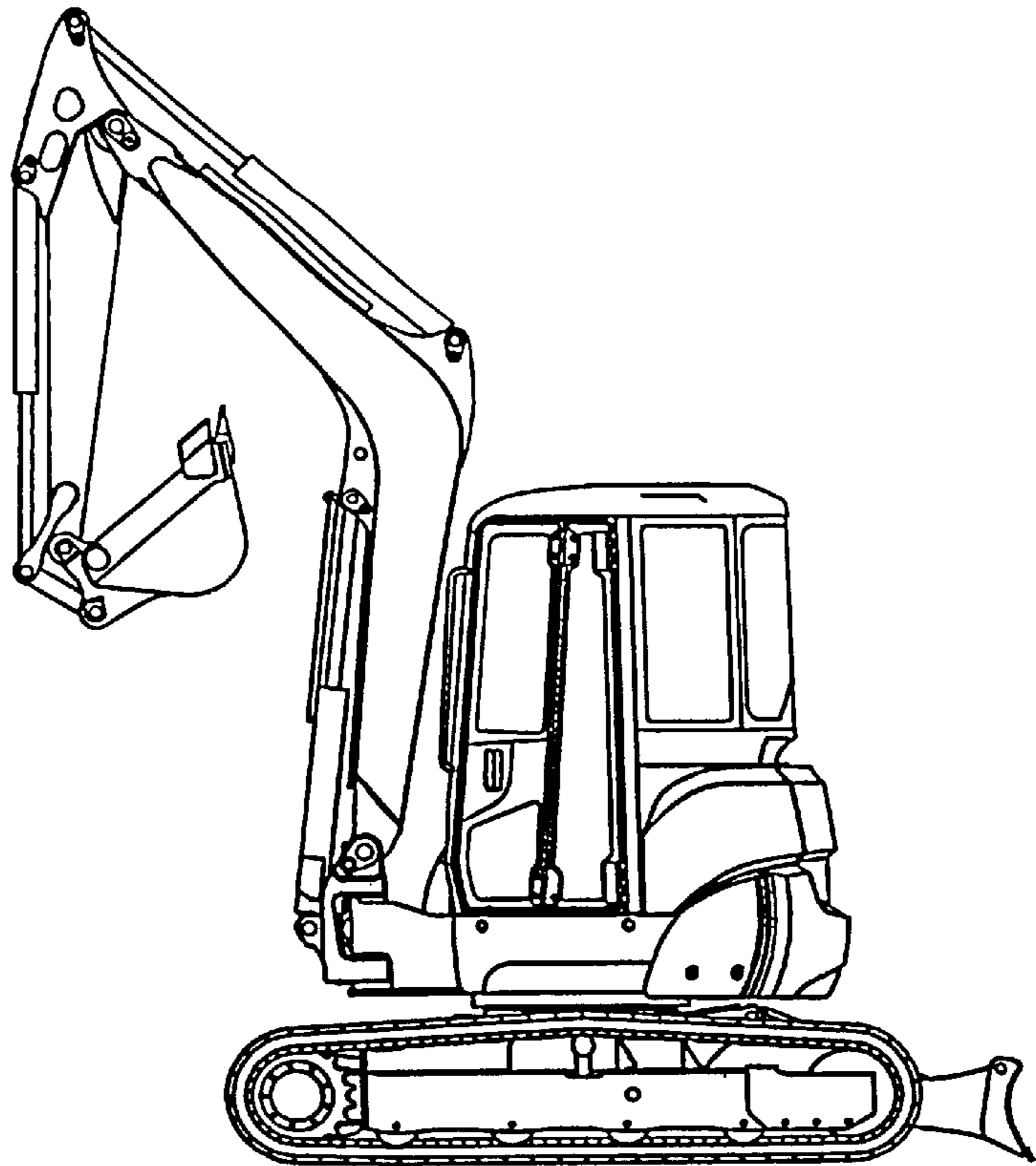


FIG. 5

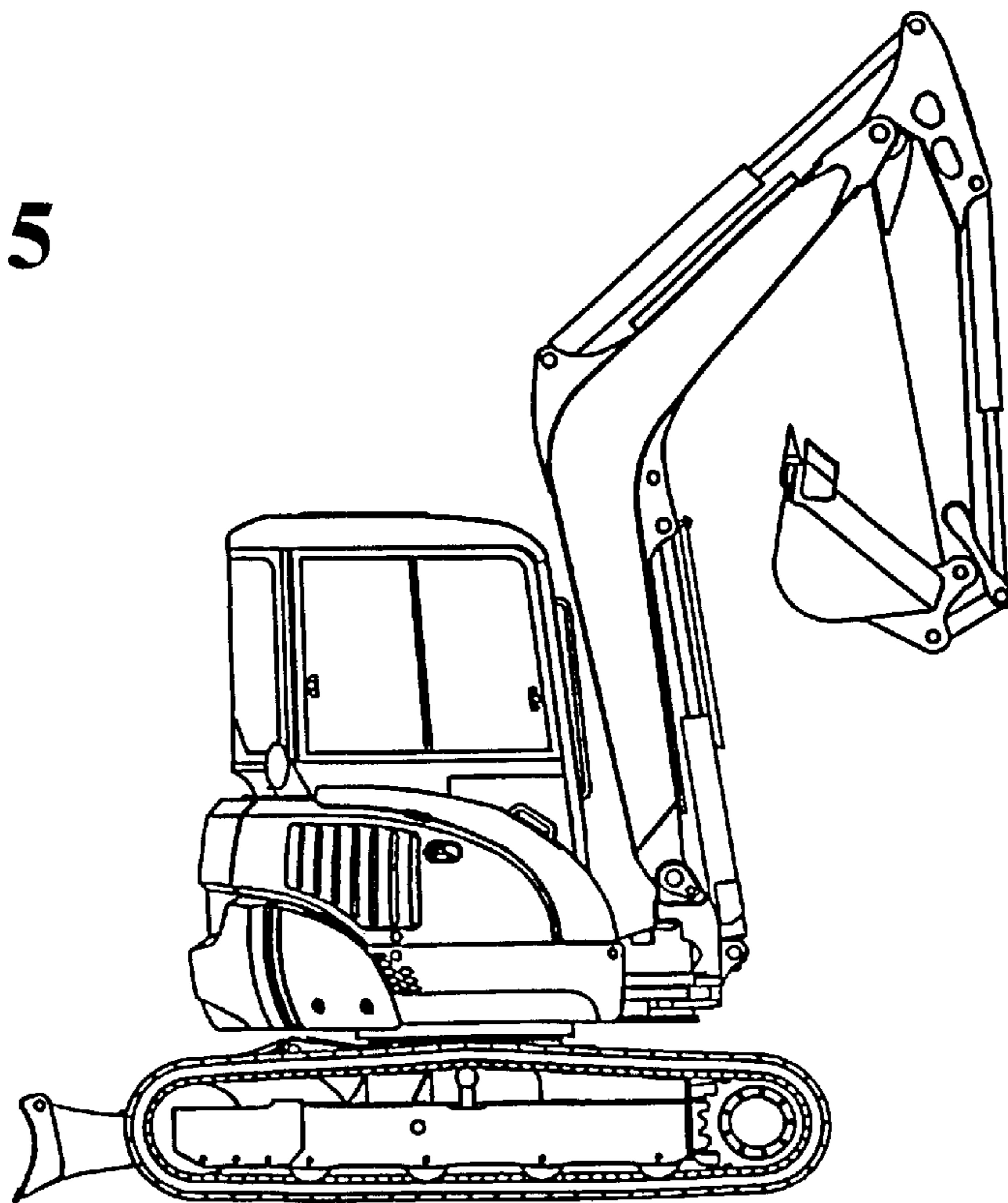


FIG. 6

