



US00D458940S

(12) **United States Design Patent**
Krkobabic

(10) **Patent No.:** **US D458,940 S**

(45) **Date of Patent:** **** Jun. 18, 2002**

(54) **APPLICATOR DISK**

(75) **Inventor:** **Lazo Krkobabic, Brisbane (AU)**

(73) **Assignee:** **Centrogen Holdings PTY Ltd., Brisbane (AU)**

(**) **Term:** **14 Years**

(21) **Appl. No.:** **29/122,626**

(22) **Filed:** **May 1, 2000**

(30) **Foreign Application Priority Data**

Oct. 29, 1999 (AU) 3545/99

(51) **LOC (7) Cl.** **15-03**

(52) **U.S. Cl.** **D15/13**

(58) **Field of Search** D8/1; D15/29,
D15/13, 10; D22/119; 172/604

(56) **References Cited**

U.S. PATENT DOCUMENTS

D260,264 S * 8/1981 Carlsson et al. D15/29

5,620,055 A * 4/1997 Javerlhac 172/604
D412,711 S * 8/1999 Bruns D15/29
D421,026 S * 2/2000 Bruns et al. D15/29
D444,529 S * 7/2001 Wagner D15/29 X

* cited by examiner

Primary Examiner—Catherine R. Oliver
(74) *Attorney, Agent, or Firm*—Abelman, Frayne & Schwab

(57) **CLAIM**

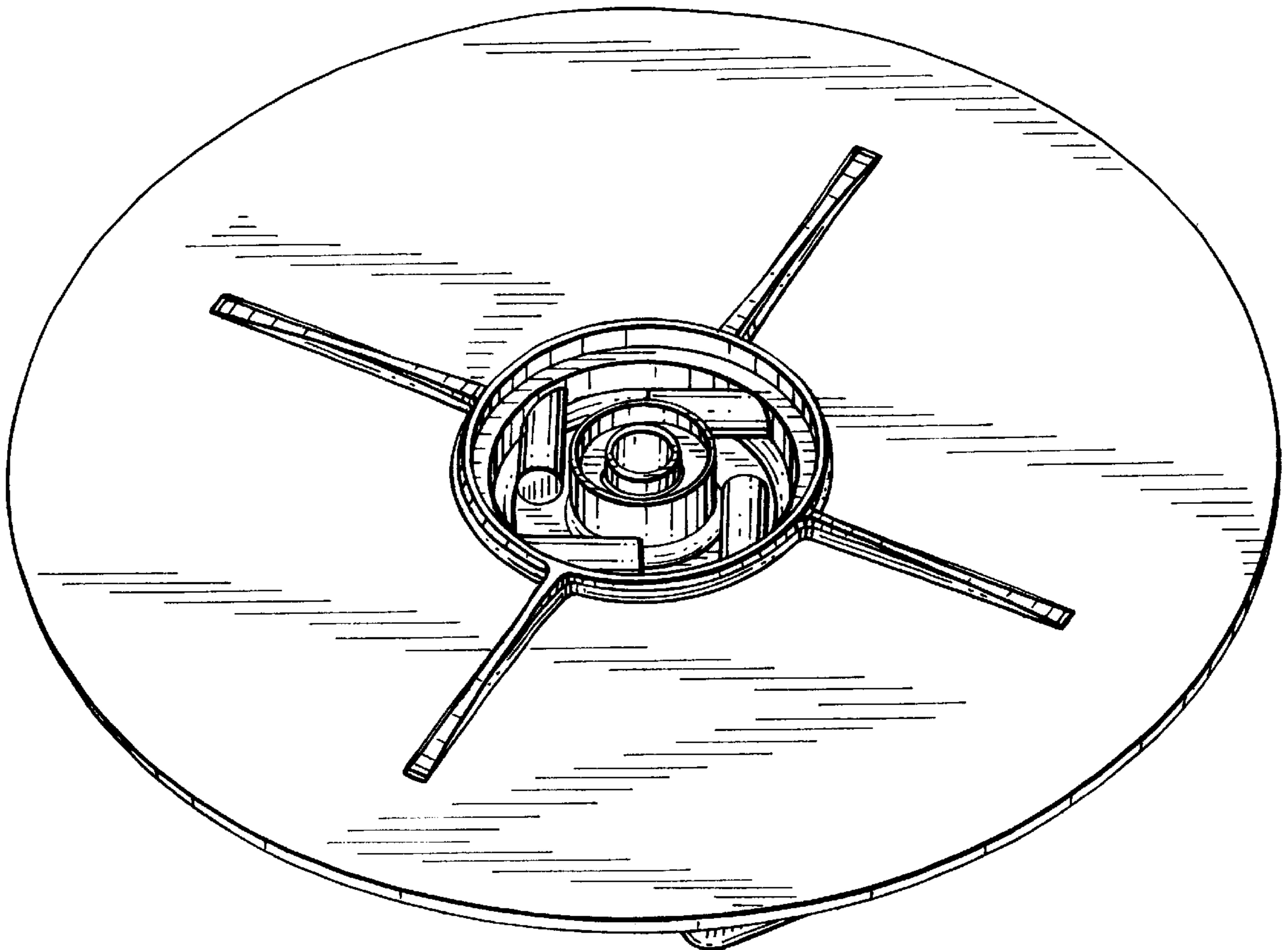
The ornamental design for an applicator disk, as shown and described.

DESCRIPTION

FIG. 1 is a top and side perspective view of the applicator disk showing my new design; and,

FIG. 2 is a bottom and opposite side perspective view thereof.

1 Claim, 2 Drawing Sheets



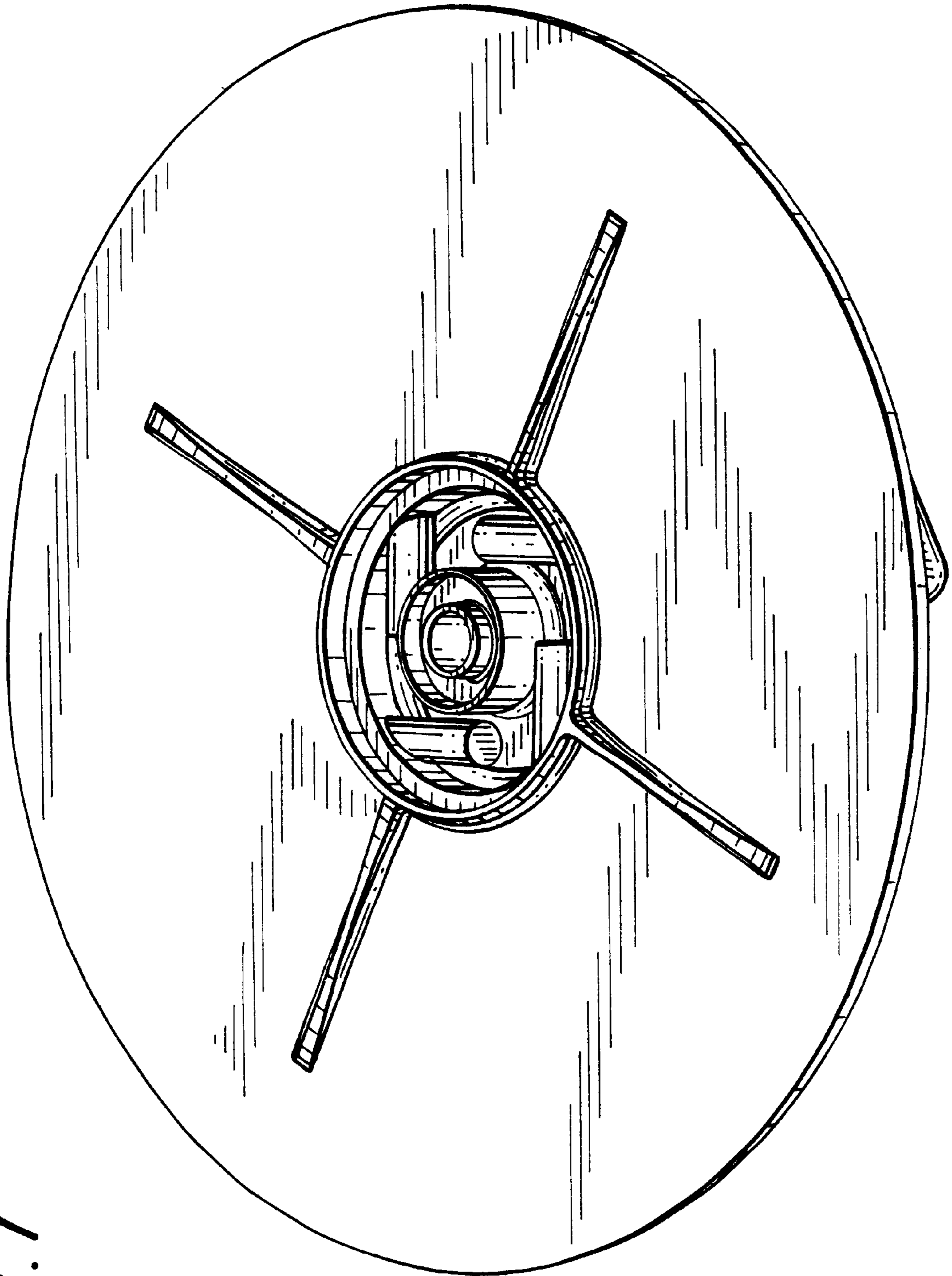


FIG. 1

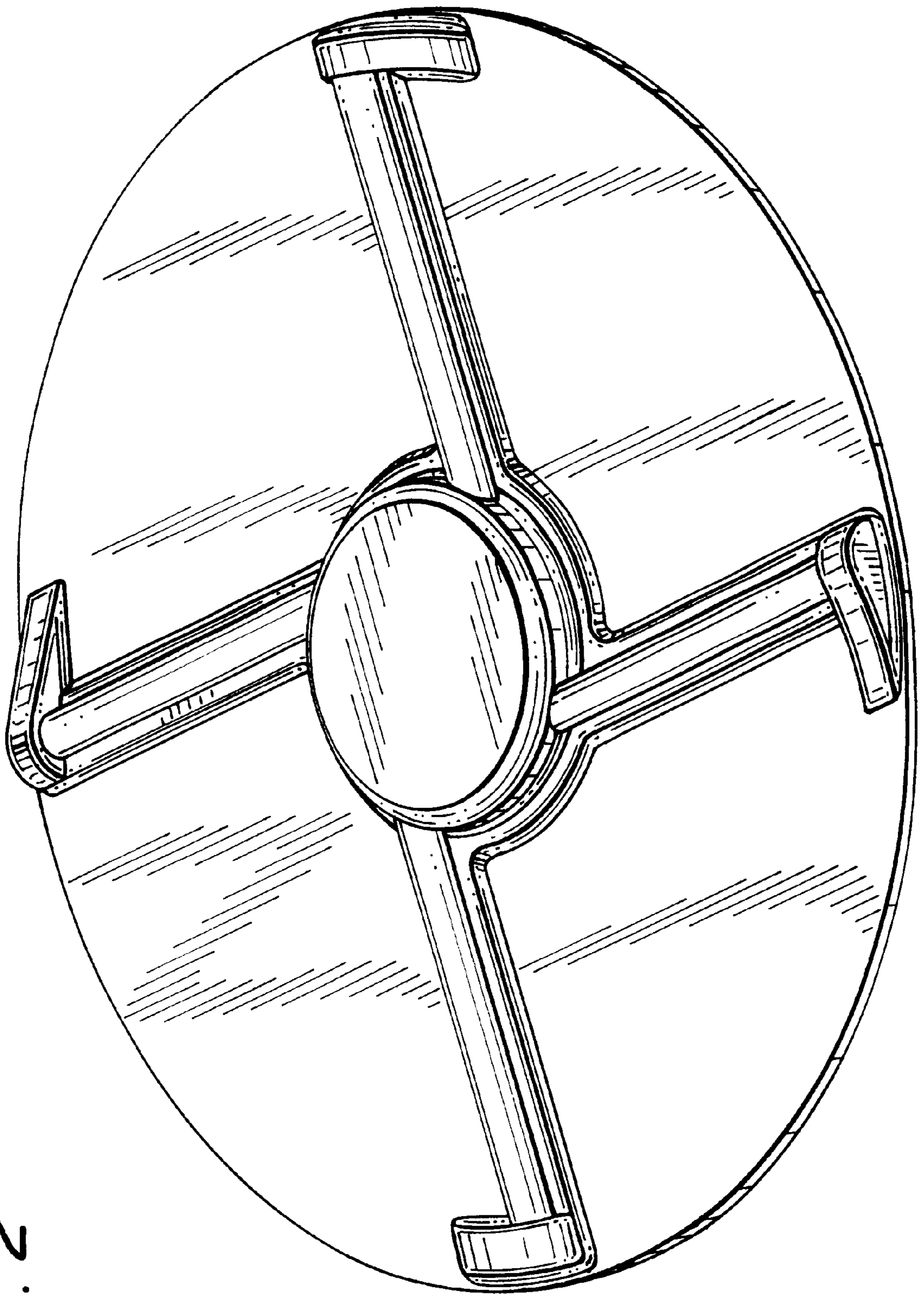


FIG. 2