



US00D458938S

(12) **United States Design Patent**  
**Burmeister et al.**

(10) **Patent No.:** **US D458,938 S**  
(45) **Date of Patent:** **\*\* Jun. 18, 2002**

(54) **OUTBOARD COWLING**

(75) Inventors: **Scott N. Burmeister**, Libertyville;  
**Robert B. Gowens**, Lake Bluff, both of  
IL (US); **Peter J. Van Lancker**;  
**Christopher F. Deutschmann**, both of  
Palm city, FL (US); **Harold L. Wikel**,  
**III**, Muskego, WI (US)

(73) Assignee: **Bombardier Motor Corporation of  
America**, Grant, FL (US)

(\*\*) Term: **14 Years**

(21) Appl. No.: **29/126,277**

(22) Filed: **Jul. 12, 2000**

(51) **LOC (7) Cl.** ..... **15-01**

(52) **U.S. Cl.** ..... **D15/5**

(58) **Field of Search** ..... D15/1-5; 440/52,  
440/3, 4, 6, 84, 88, 900; 123/495; 290/43,  
46, 54

(56) **References Cited**

**U.S. PATENT DOCUMENTS**

D257,353 S	10/1980	Fogolin	
D272,357 S	1/1984	Hall et al.	
D272,358 S	1/1984	Hall et al.	
D274,909 S	7/1984	Ferguson et al.	
D275,394 S	9/1984	Ferguson et al.	
D275,487 S	9/1984	Ferguson et al.	
D286,157 S	10/1986	Mikado et al.	
D289,169 S	4/1987	Mikado et al.	
D289,170 S	4/1987	Mikado et al.	
D318,474 S	7/1991	Reynolds	
D323,508 S	1/1992	Hirshberg et al.	
D332,265 S	1/1993	Osumi	
D358,076 S	5/1995	Woller et al.	
D359,290 S	6/1995	Takeuchi	
D387,775 S	12/1997	Iekura	
5,830,021 A	* 11/1998	Takahashi et al.	..... 440/88
D403,684 S	1/1999	Oishi	

D409,205 S	5/1999	Ohsumi et al.	
D412,911 S	8/1999	Iekura	
D418,519 S	1/2000	Iekura	
D421,444 S	3/2000	Hatch et al.	
D422,599 S	4/2000	Iekura	
D428,616 S	* 7/2000	Iekura	..... D15/4

**OTHER PUBLICATIONS**

Advertising of Honda marine outboards at web address  
www.honda-marine.com on Jun. 8, 2000.  
Advertising of Mercury Marine outboards at web address  
www.mercurymarine.com on Jun. 7, 2000.  
Advertising of Suzuki marine outboards at web address  
www.suzukimarine.com on Jun. 8, 2000.  
Advertising of Yamaha marine outboards at web address  
www.yamaha-motor.com on Jun. 8, 2000.

\* cited by examiner

*Primary Examiner*—Melody N. Brown

(74) *Attorney, Agent, or Firm*—Pillsbury Winthrop LLP

(57) **CLAIM**

The ornamental design for an outboard cowling, as shown  
and described.

**DESCRIPTION**

FIG. 1 is a perspective view of an outboard cowling in  
accordance with the present invention.  
FIG. 2 is a right side view of the outboard cowling shown  
in FIG. 1, the left side view being a mirror image thereof.  
FIG. 3 is a rear view of the outboard cowling shown in FIG.  
1.  
FIG. 4 is a front view of the outboard cowling shown in FIG.  
1; and,  
FIG. 5 is a top view of the outboard cowling shown in FIG.  
1.  
The broken lines shown throughout the drawing views are  
for illustrative purposes only and form no part of the claim  
design.

**1 Claim, 3 Drawing Sheets**

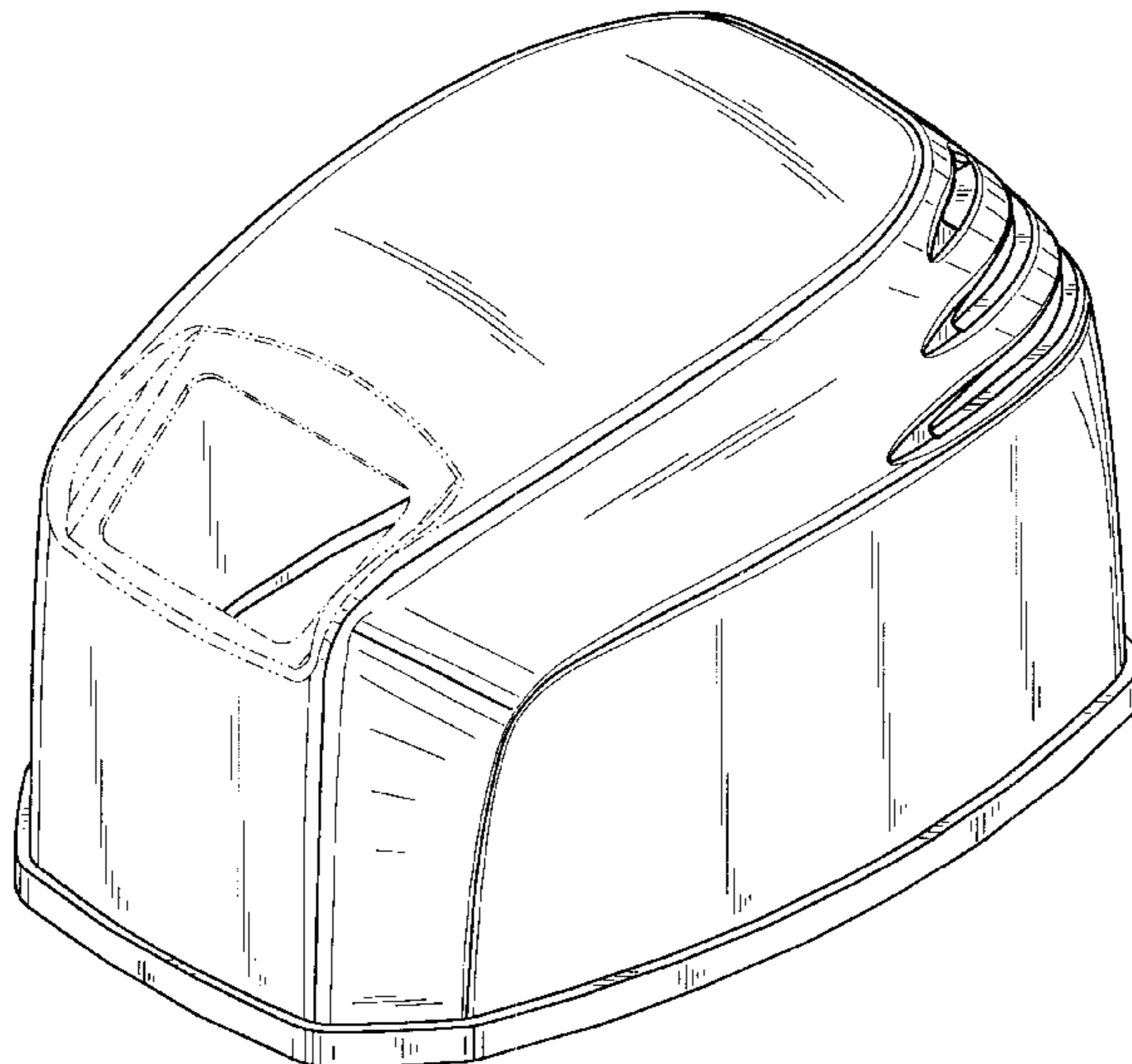


FIG. 1

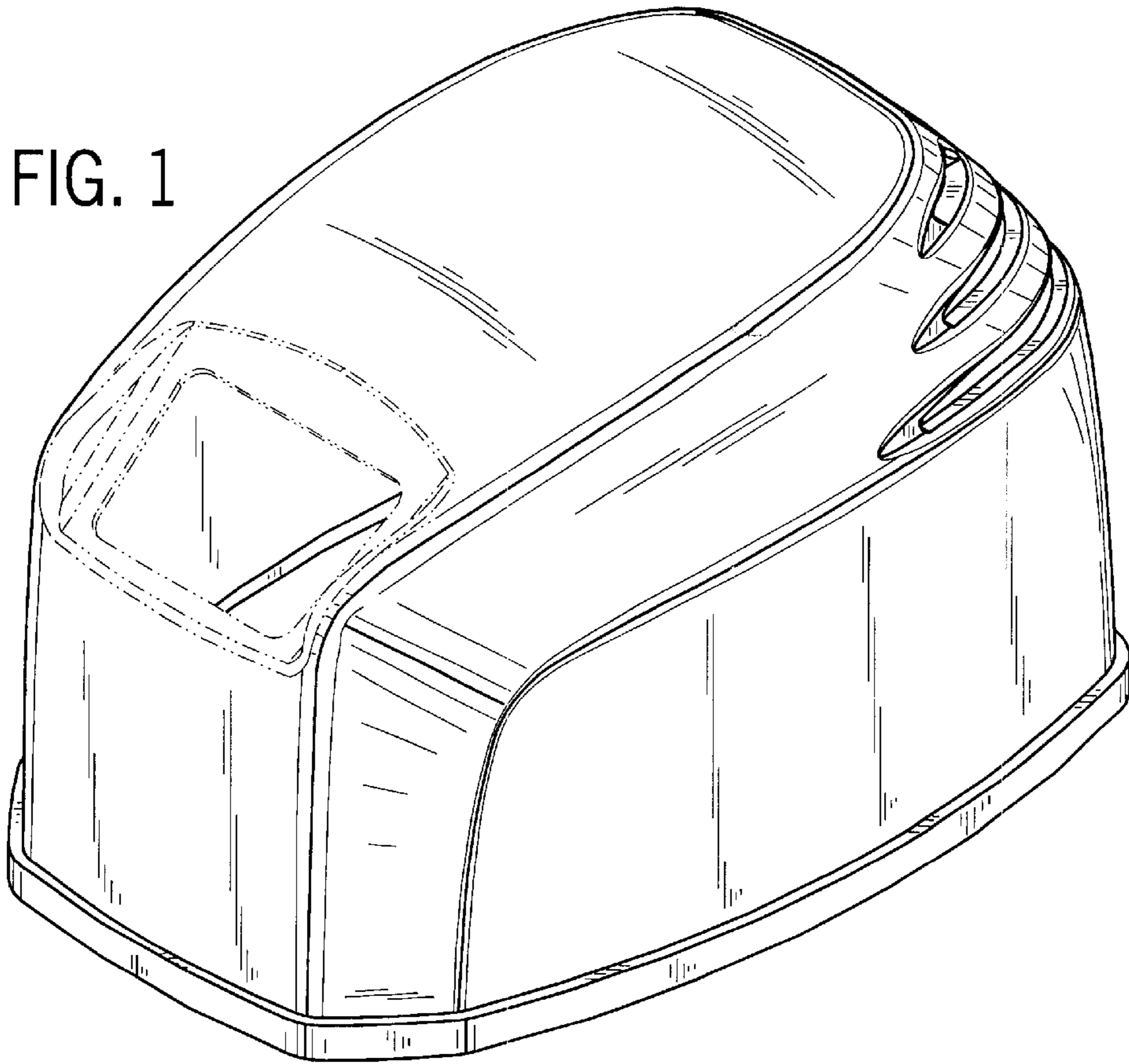


FIG. 2

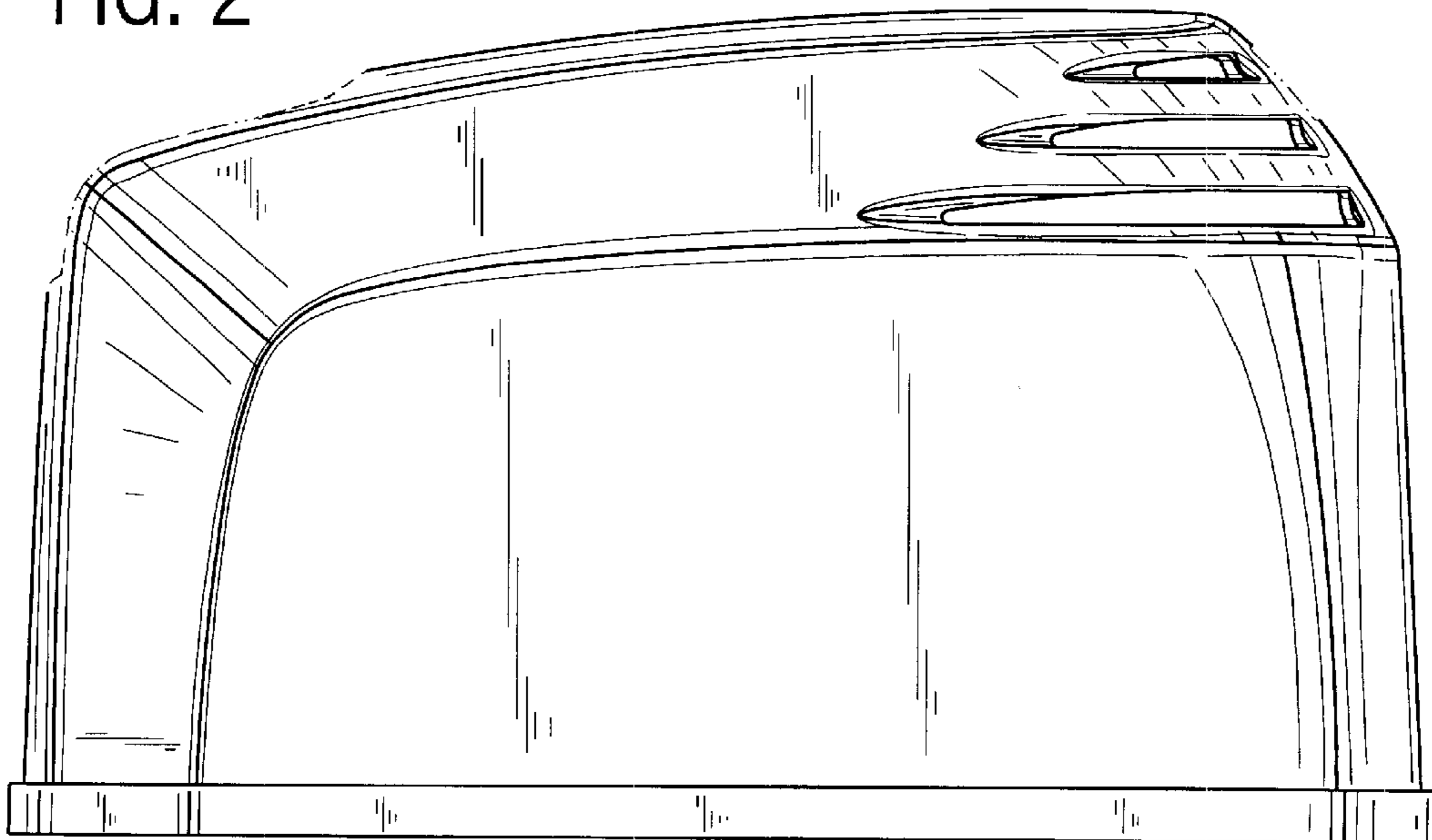


FIG. 3

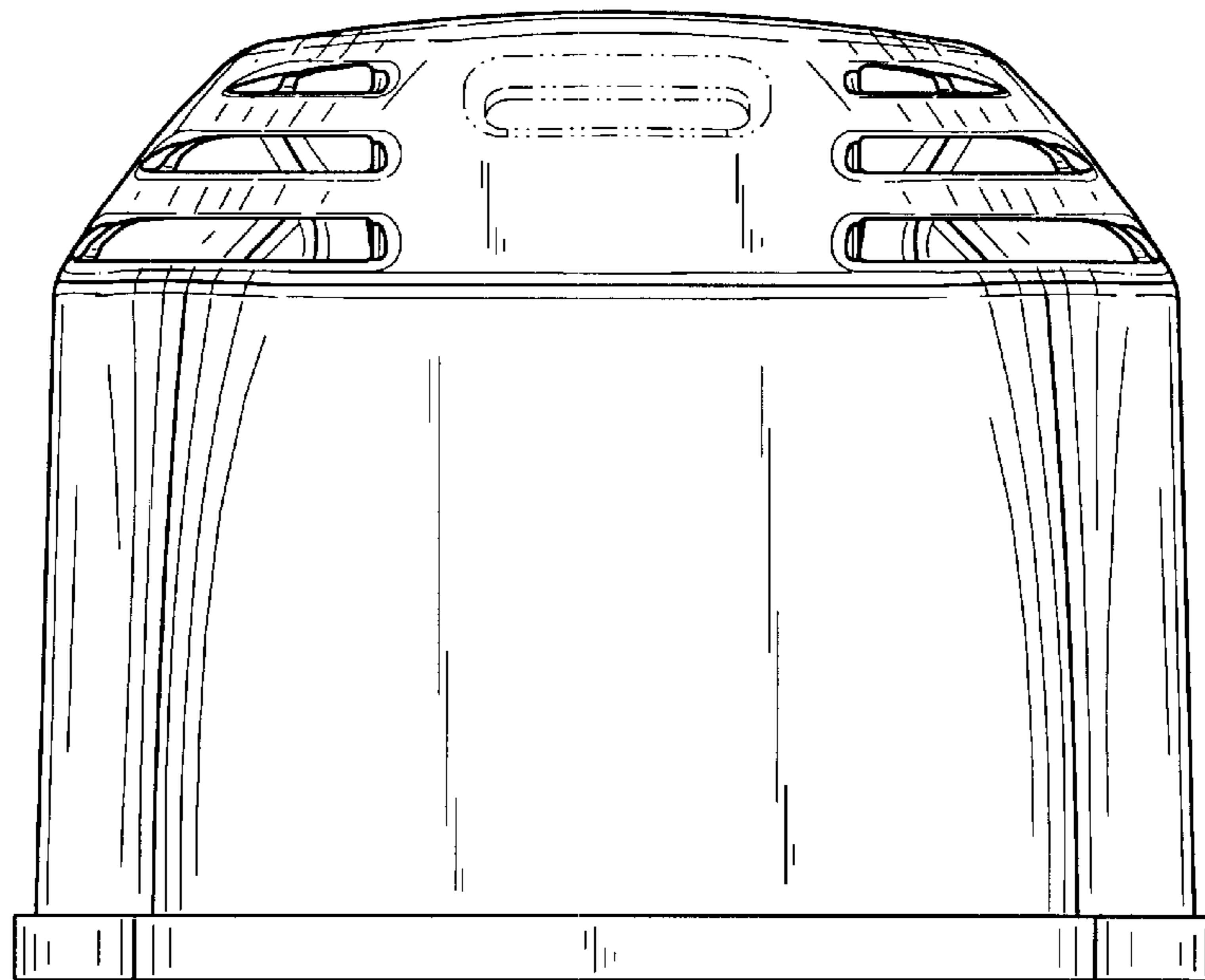


FIG. 4

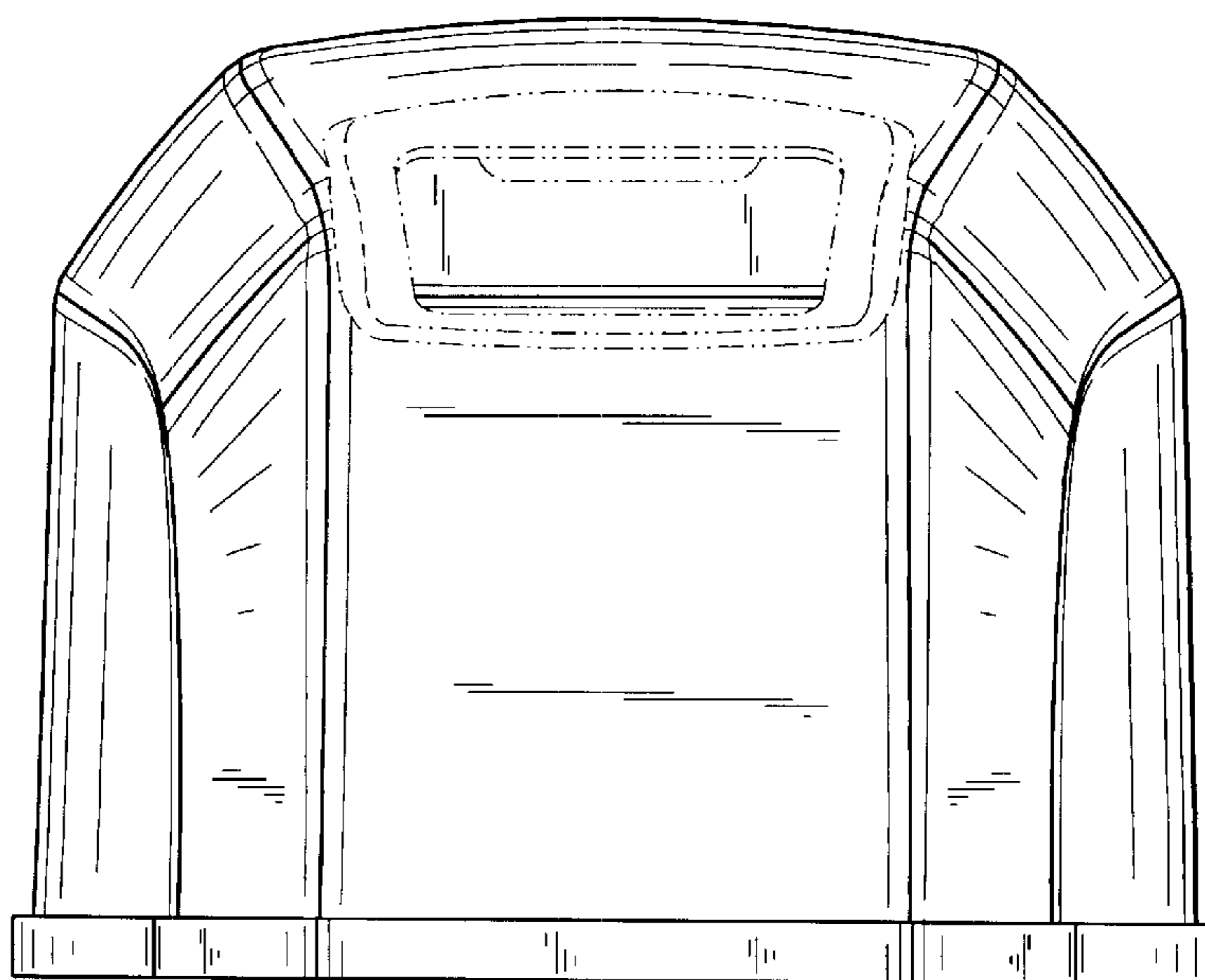


FIG. 5

