



US00D458937S

(12) **United States Design Patent**
Myszka et al.

(10) **Patent No.:** **US D458,937 S**
(45) **Date of Patent:** **** Jun. 18, 2002**

(54) **DEVICE FOR LOCKING A MEDIA DISC TO A RETAINING HUB**

(75) Inventors: **Kevin E. Myszka, Kent; James M. Byrne, Massillon, both of OH (US)**

(73) Assignee: **Nexpak Corporation, North Canton, OH (US)**

(**) Term: **14 Years**

(21) Appl. No.: **29/136,042**

(22) Filed: **Jan. 24, 2001**

(51) **LOC (7) Cl.** **14-99**

(52) **U.S. Cl.** **D14/483**

(58) **Field of Search** D14/483, 484, D14/478; 369/289-292; 360/131, 333, 135, 137, 128; 346/134, 137, 135.1; 206/387.11, 387.12

(56) **References Cited**

U.S. PATENT DOCUMENTS

- D221,437 S * 8/1971 Dearling D14/483
- D259,093 S * 5/1981 Iovino D14/483
- 4,705,279 A * 11/1987 Mizukami et al. 346/137

- 4,944,982 A * 7/1990 Kikuchi 346/135.1
- D385,538 S * 10/1997 Tatenuma D14/483
- D438,544 S * 3/2001 Pearce et al. D14/483
- 6,292,461 B1 * 9/2001 Kikuchi et al. 369/290

* cited by examiner

Primary Examiner—Prabhakar Deshmukh

(74) *Attorney, Agent, or Firm*—Sand & Sebolt

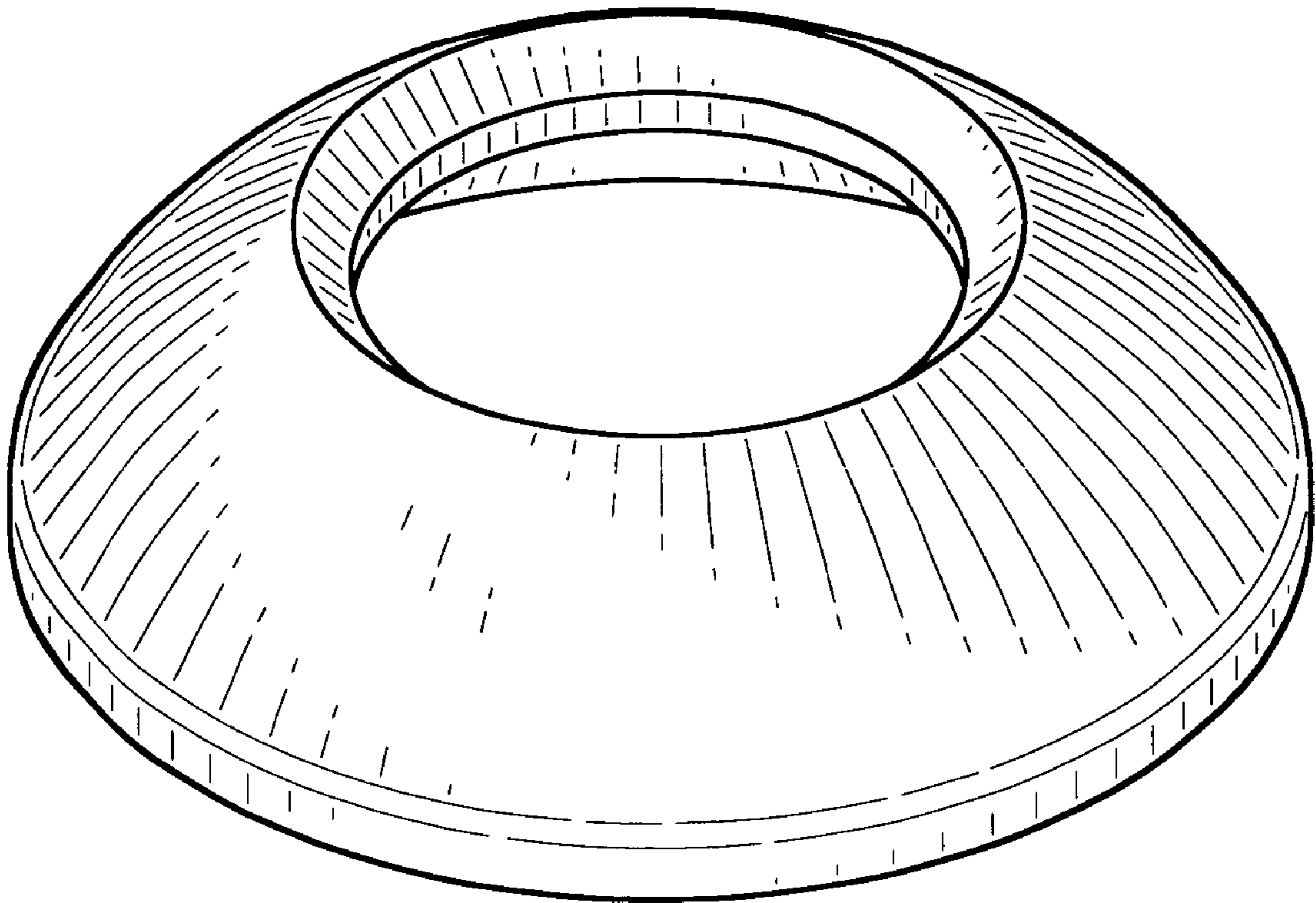
(57) **CLAIM**

The ornamental design for a device for locking a media disc to a retaining hub, as shown and described.

DESCRIPTION

FIG. 1 is a top plan view of a device for locking a media disc to a retaining hub showing our new design;
 FIG. 2 is a perspective view of a device for locking a media disc to a retaining media disc;
 FIG. 3 is a top plan view of FIG. 2.
 FIG. 4 is a bottom plan view of FIG. 2.
 FIG. 5 is a front elevation view of FIG. 3; and,
 FIG. 6 is a right side elevation view of FIG. 3.
 The broken lines are for illustrative purpose only and forms no part of the claimed design.

1 Claim, 2 Drawing Sheets



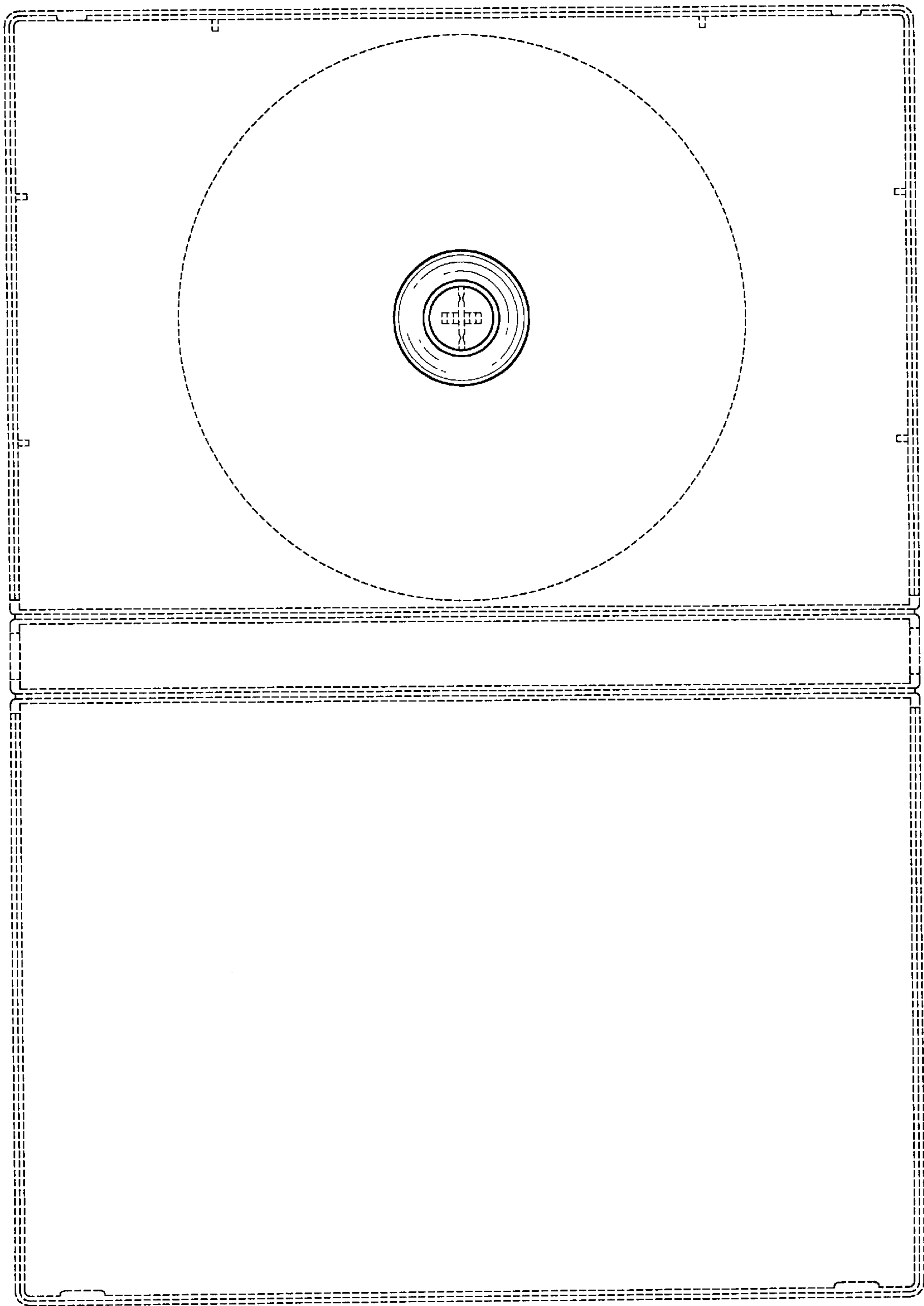


FIG-1

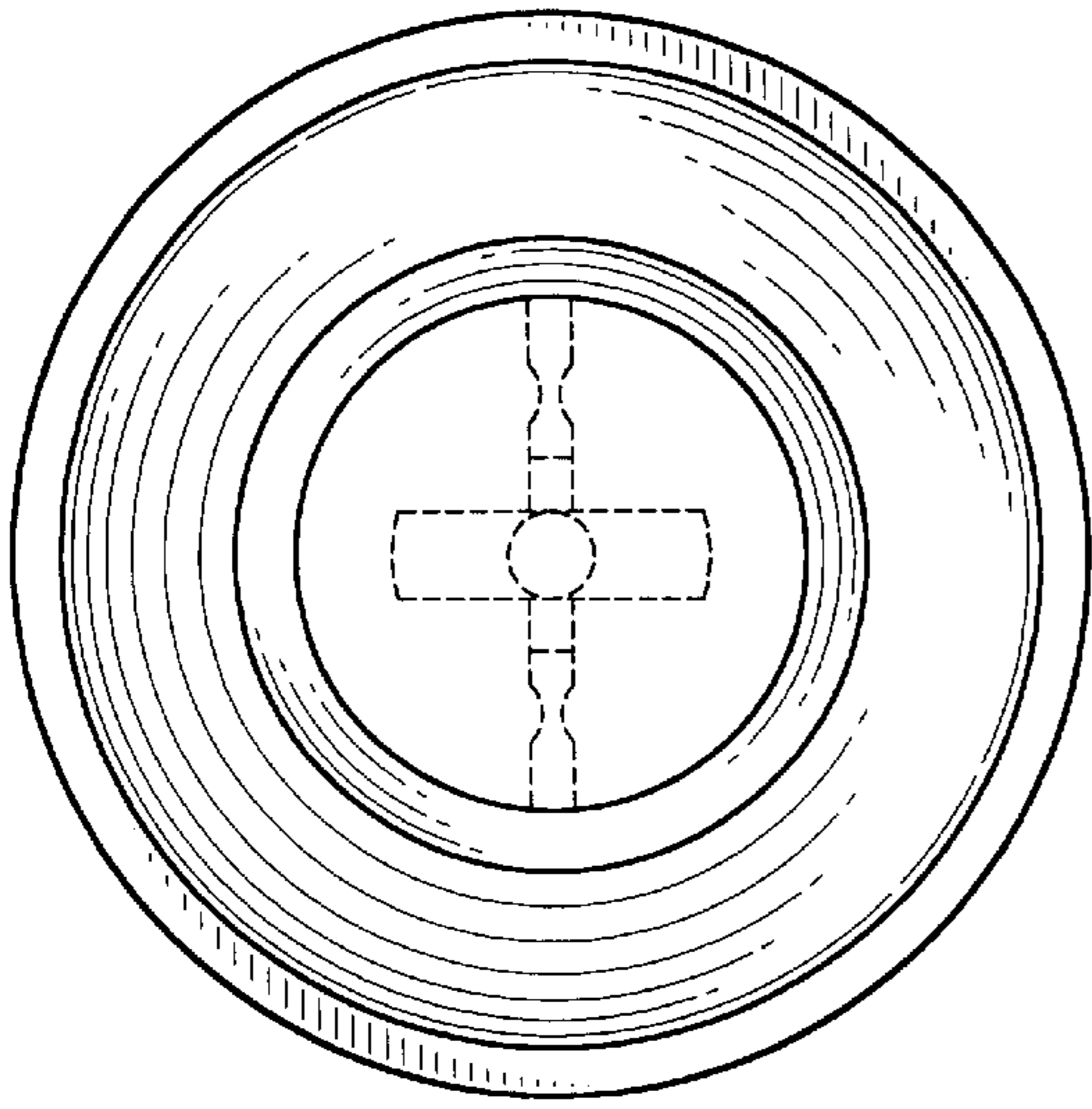


FIG-4

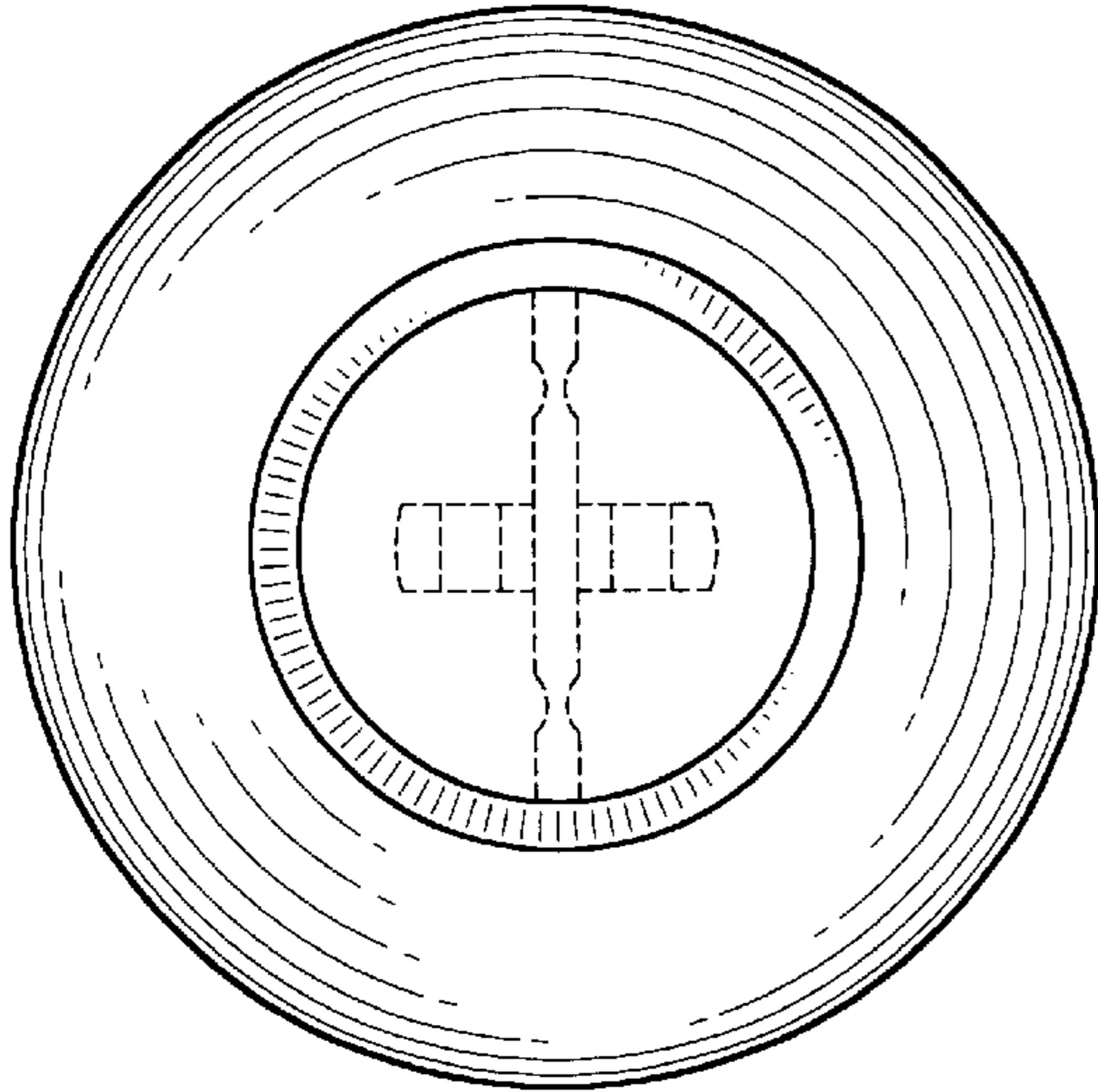


FIG-3

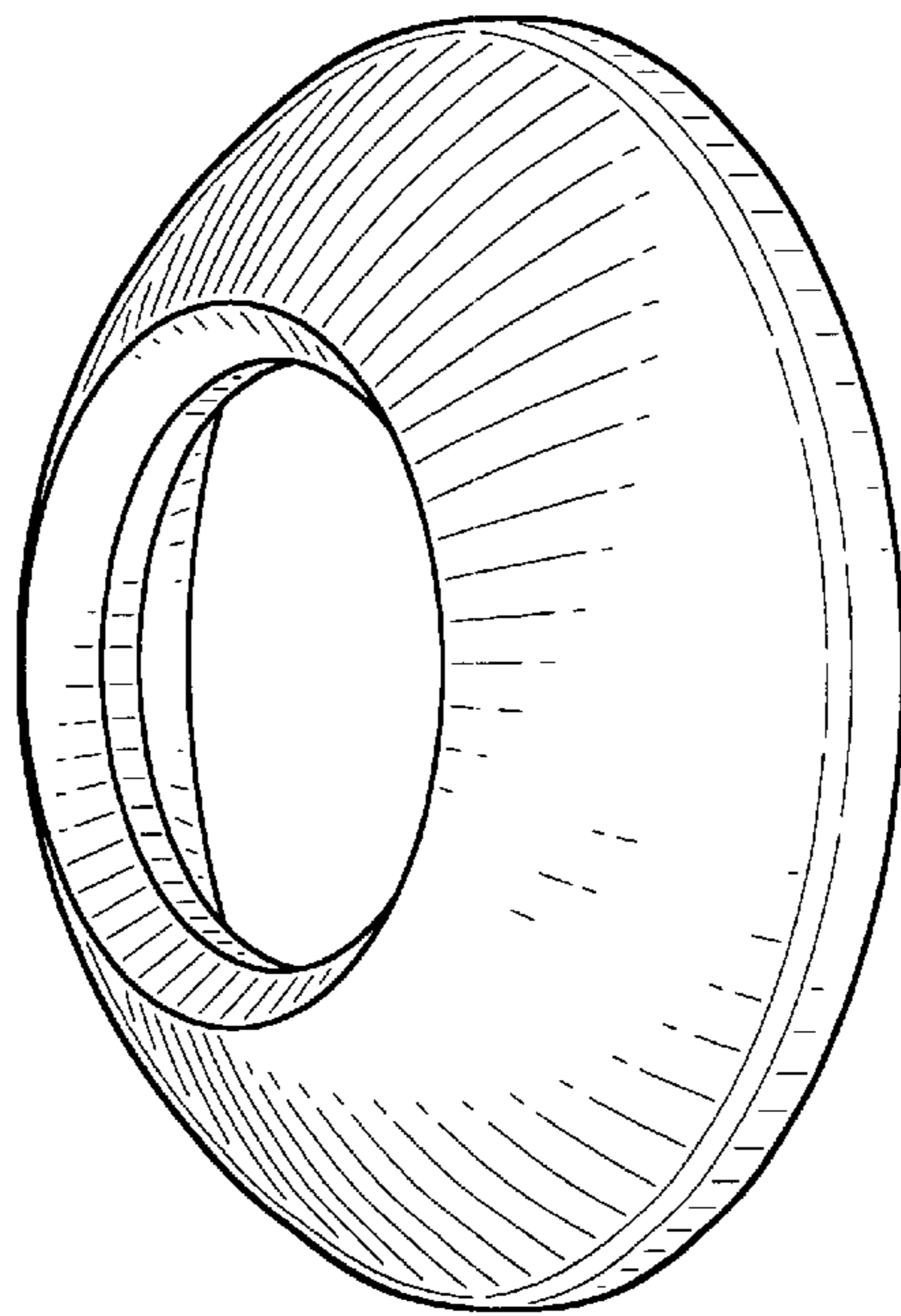


FIG-2

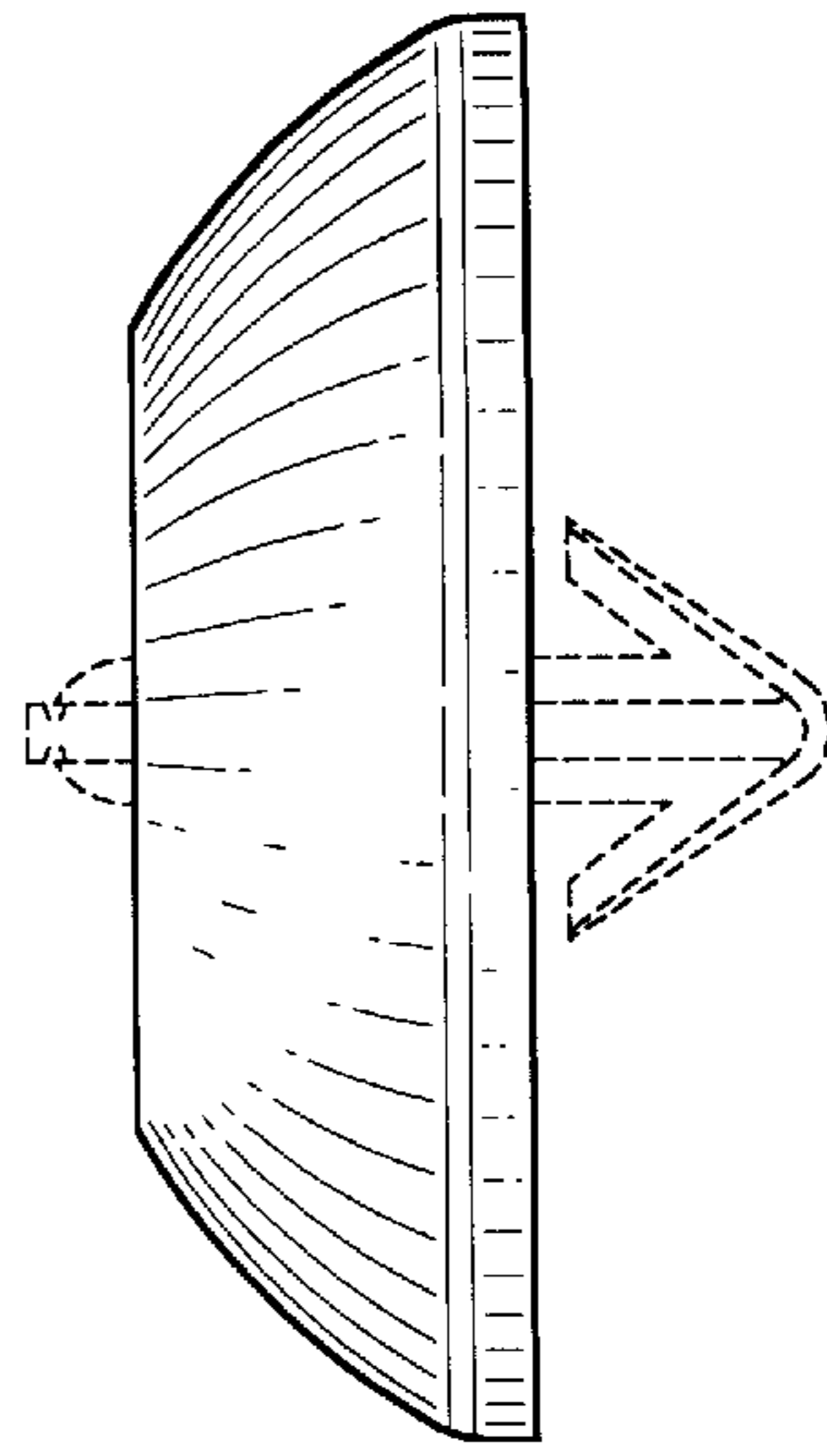


FIG-6

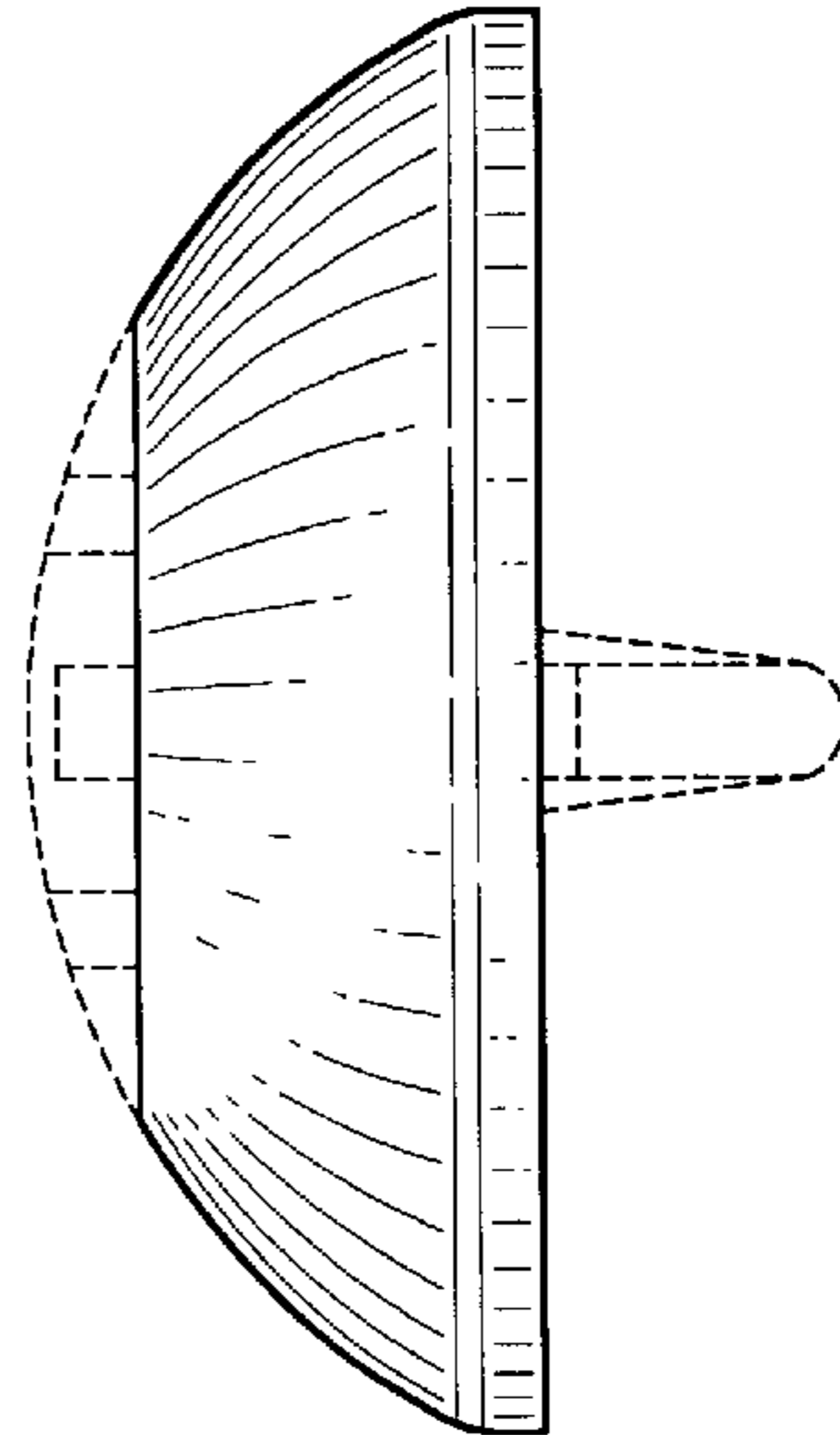


FIG-5