



US00D458934S

(12) **United States Design Patent**
Mosquera

(10) **Patent No.:** **US D458,934 S**

(45) **Date of Patent:** **** Jun. 18, 2002**

(54) **HOUSING HAVING AN ELECTRICAL CONNECTOR FOR ATTACHMENT OF ADDITIONAL MEMORY TO A HAND-HELD COMPUTER**

D392,259 S * 3/1998 Simmon D14/341
D419,545 S * 1/2000 Krantz et al. D14/426
D443,267 S * 6/2001 Truong et al. D14/431
D445,106 S * 7/2001 Mosgrove et al. D14/341

(76) Inventor: **Jorge Mosquera**, 4954 N. Drake,
Chicago, IL (US) 60625

* cited by examiner

Primary Examiner—Kay H. Chin

(**) Term: **14 Years**

(74) *Attorney, Agent, or Firm*—Patent+T.M.S, P.C.

(21) Appl. No.: **29/144,698**

(57) **CLAIM**

(22) Filed: **Jul. 9, 2001**

The ornamental design for a housing having an electrical connector for attachment of additional memory to a hand-held computer, as shown.

(51) **LOC (7) Cl.** **14-02**

DESCRIPTION

(52) **U.S. Cl.** **D14/434; D14/341**

FIG. 1 is a perspective view of a housing having an electrical connector for attachment of additional memory to a hand-held computer of the present invention;

(58) **Field of Search** D14/341-346,

D14/434, 435, 399, 338, 432, 433, 440,

439; D18/1, 7, 11, 12; 345/156, 168, 169,

172, 173, 87; 349/12; 361/680-686; 395/326

FIG. 2 is a top view thereof;

FIG. 3 is a bottom view thereof;

FIG. 4 is a front view thereof;

FIG. 5 is a rear view thereof;

FIG. 6 is a side view thereof; and,

FIG. 7 is a side view thereof.

(56) **References Cited**

U.S. PATENT DOCUMENTS

D354,947 S * 1/1995 Peart D14/341

D356,546 S * 3/1995 Peart D14/341

D391,234 S * 2/1998 Chacon et al. D14/341

1 Claim, 2 Drawing Sheets

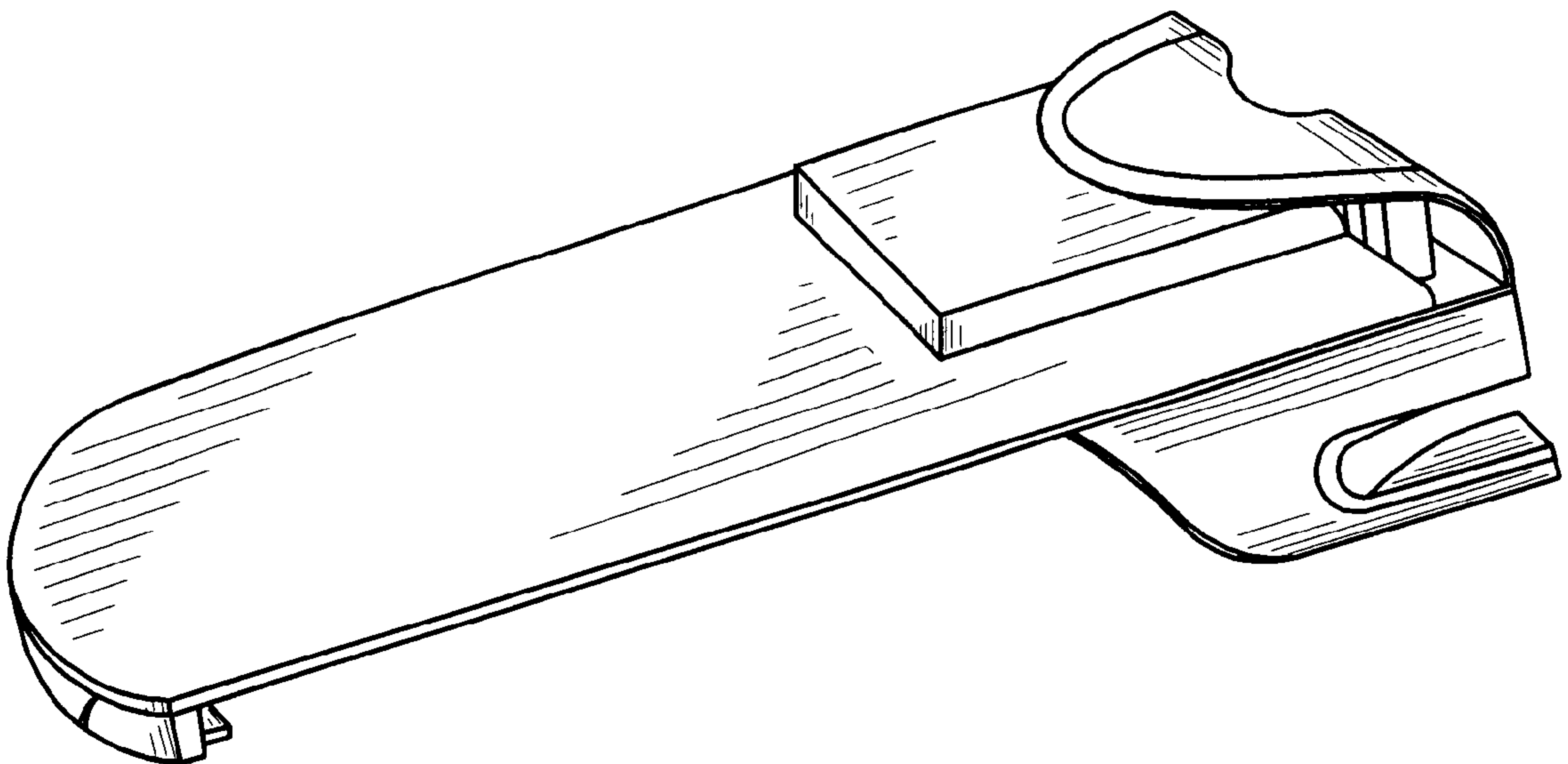


FIG. 1

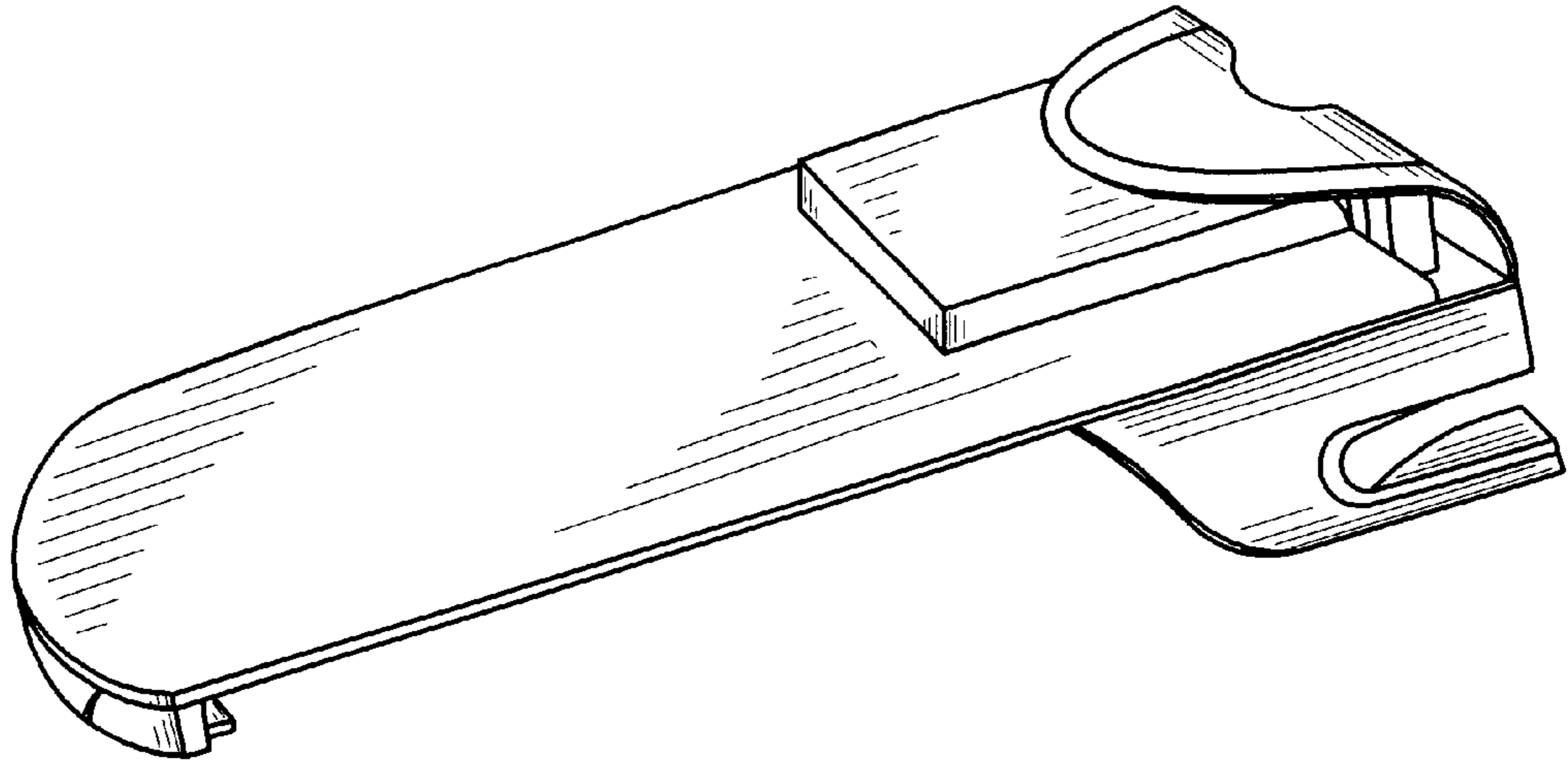


FIG. 2

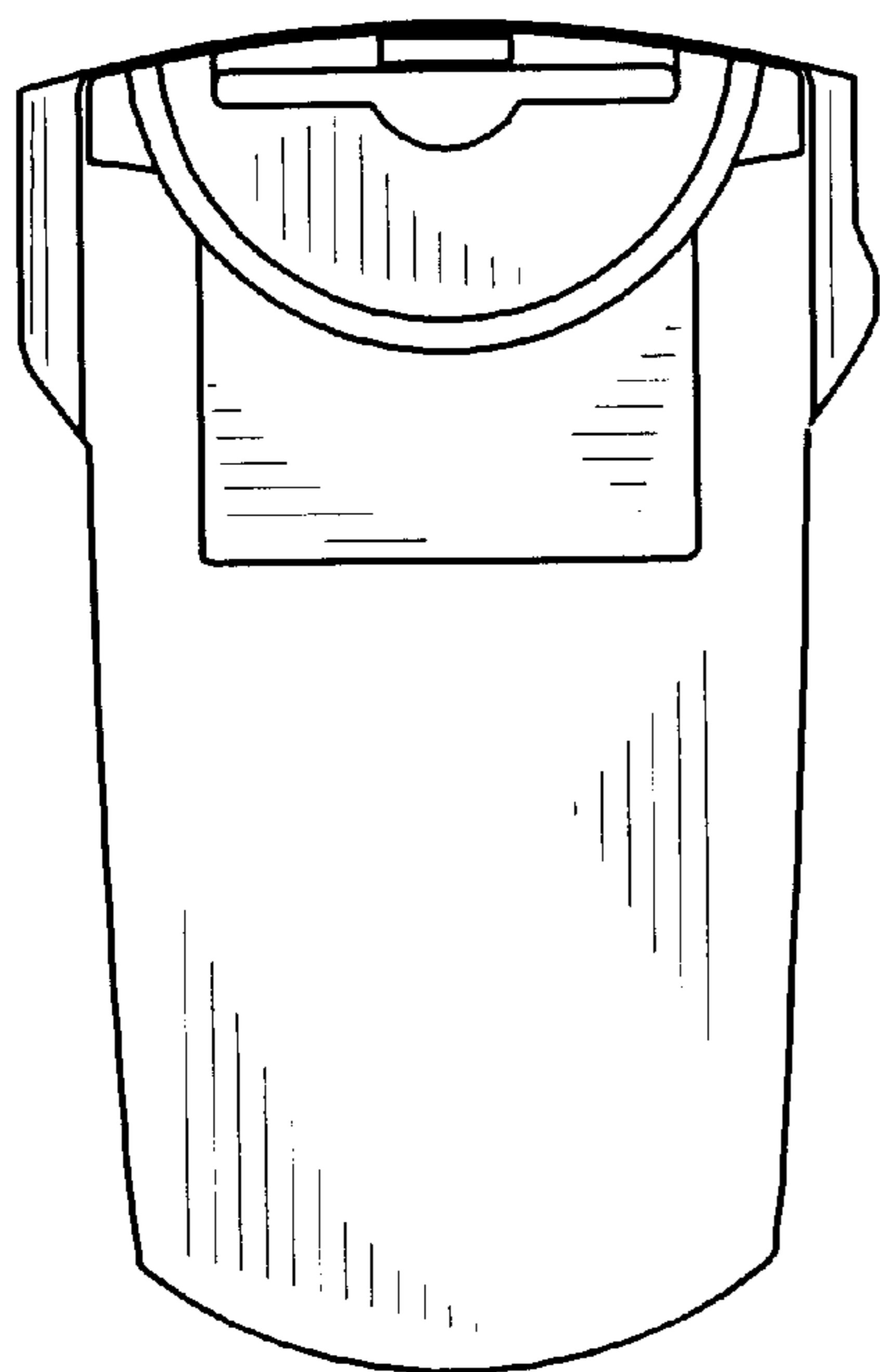


FIG. 3

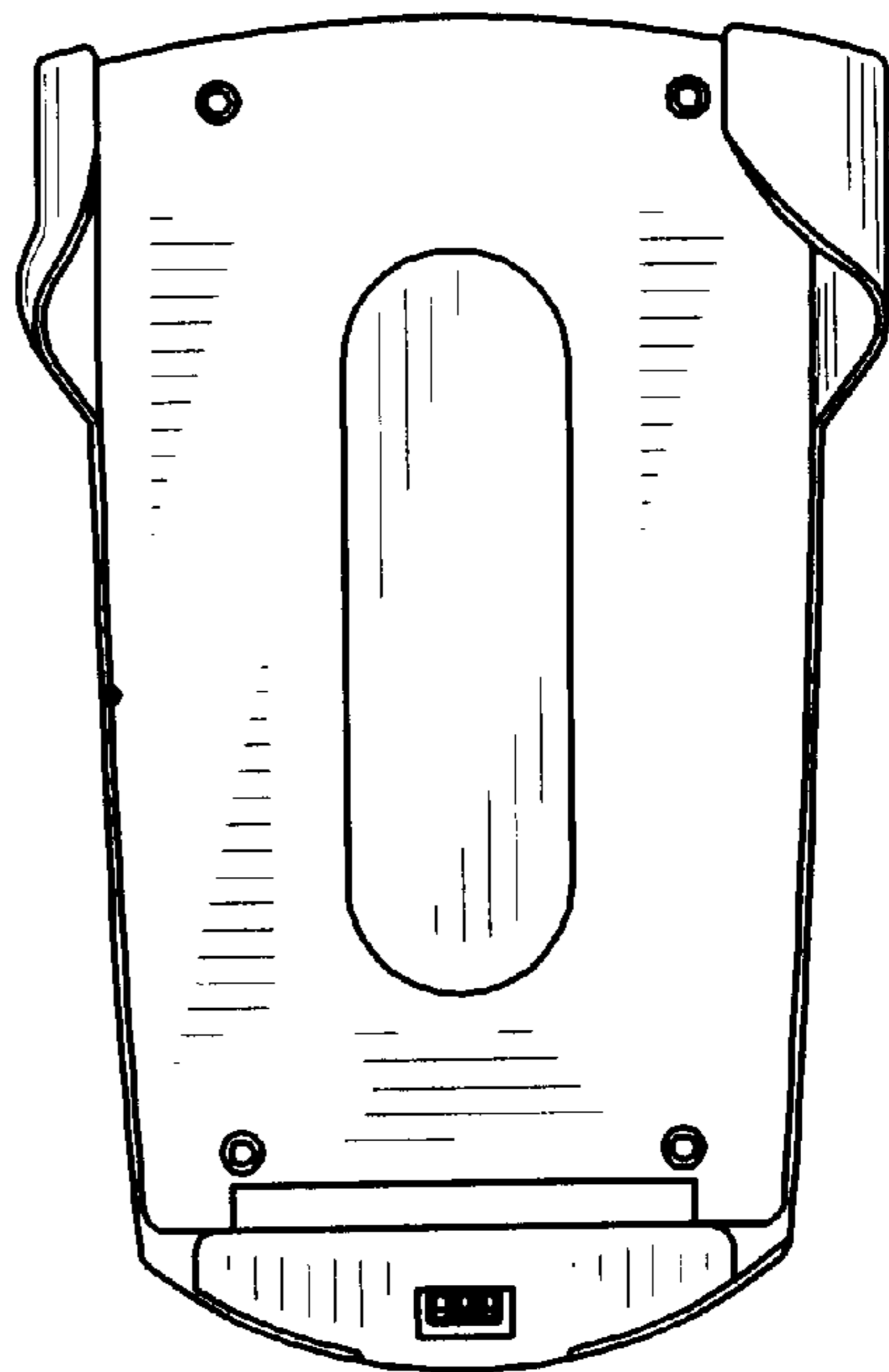


FIG. 4

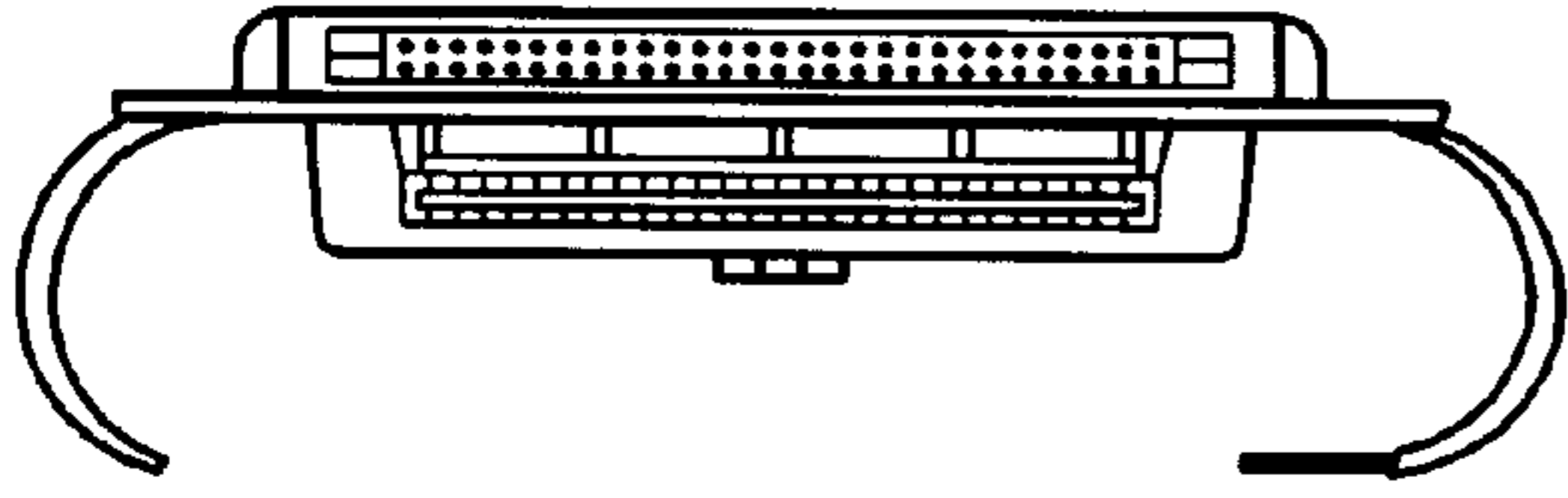


FIG. 5

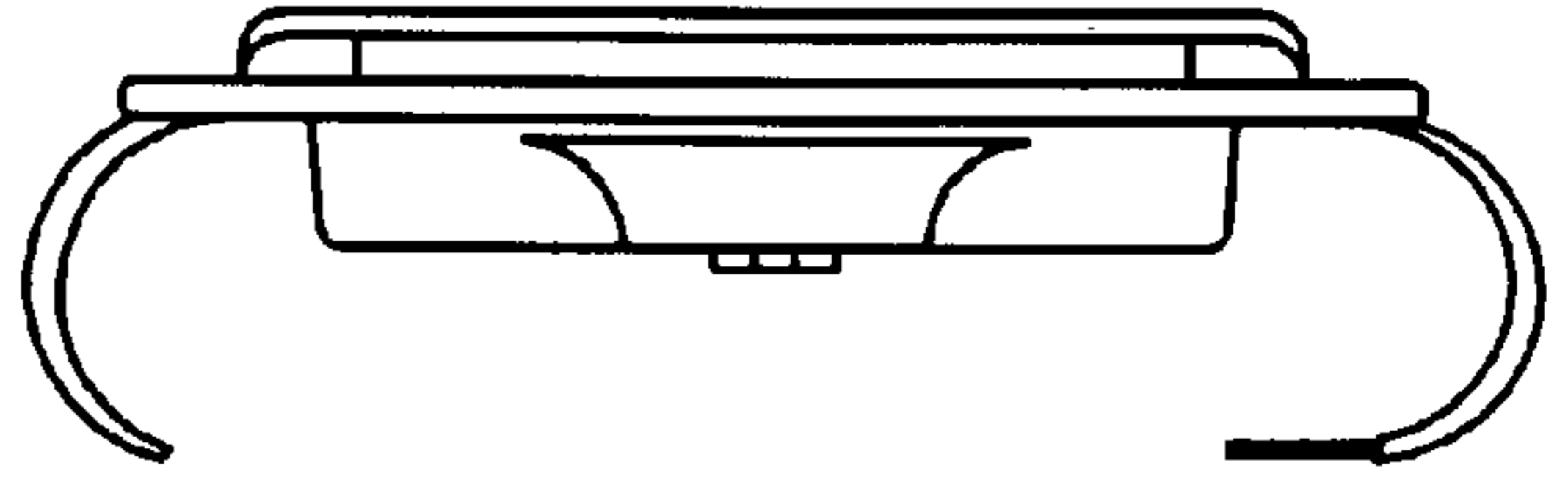


FIG. 6

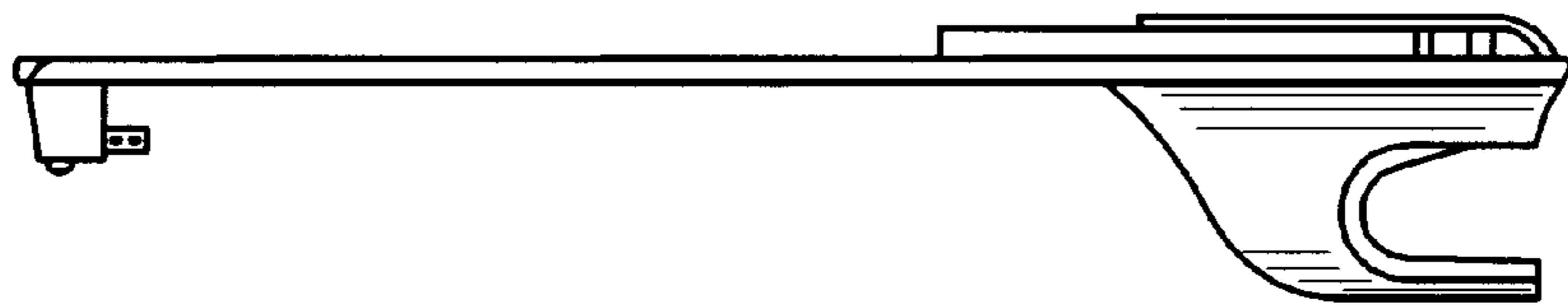


FIG. 7

