



US00D458932S

(12) **United States Design Patent**  
**Huang**

(10) **Patent No.:** **US D458,932 S**

(45) **Date of Patent:** **\*\* Jun. 18, 2002**

(54) **OPTICAL MOUSE**

(75) Inventor: **Chun-Chung Huang**, Taipei (TW)

(73) Assignee: **Darfon Electronics Corp.**, Kweishan  
Taoyuan (TW)

(\*\*) Term: **14 Years**

(21) Appl. No.: **29/146,840**

(22) Filed: **Aug. 16, 2001**

(51) **LOC (7) Cl.** ..... **14-02**

(52) **U.S. Cl.** ..... **D14/402**

(58) **Field of Search** ..... D14/402-410,  
D14/417, 432; D13/158; 200/5 R, 5 A,  
6 R, 6 A; 273/148 B; 345/156-167; 74/471 XY;  
436/36, 37, 38

(56) **References Cited**

**U.S. PATENT DOCUMENTS**

D411,189 S	*	6/1999	Liao et al. ....	D14/409
D411,190 S	*	6/1999	McMahon et al. ....	D14/408
D437,852 S	*	2/2001	Ledbetter et al. ....	D14/402
D439,905 S	*	4/2001	Jones et al. ....	D14/402
D439,906 S	*	4/2001	Edwards et al. ....	D14/408
D443,274 S	*	6/2001	Loughane et al. ....	D14/408

\* cited by examiner

*Primary Examiner*—Kay H. Chin

(74) *Attorney, Agent, or Firm*—Ladas & Parry

(57) **CLAIM**

The ornamental design for an optical mouse, as shown and described.

**DESCRIPTION**

FIG. 1 is a perspective view of the first embodiment of the optical mouse;

FIG. 2 is a right side elevational view thereof;

FIG. 3 is a top plane view thereof; and

FIG. 4 is a front elevational view thereof;

FIG. 5 is a bottom plane view thereof;

FIG. 6 is a left side elevational view thereof;

FIG. 7 is a rear elevational view thereof;

FIG. 8 is a perspective view of the second embodiment of the optical mouse;

FIG. 9 is a right side elevational view thereof;

FIG. 10 is a top plane view thereof; and

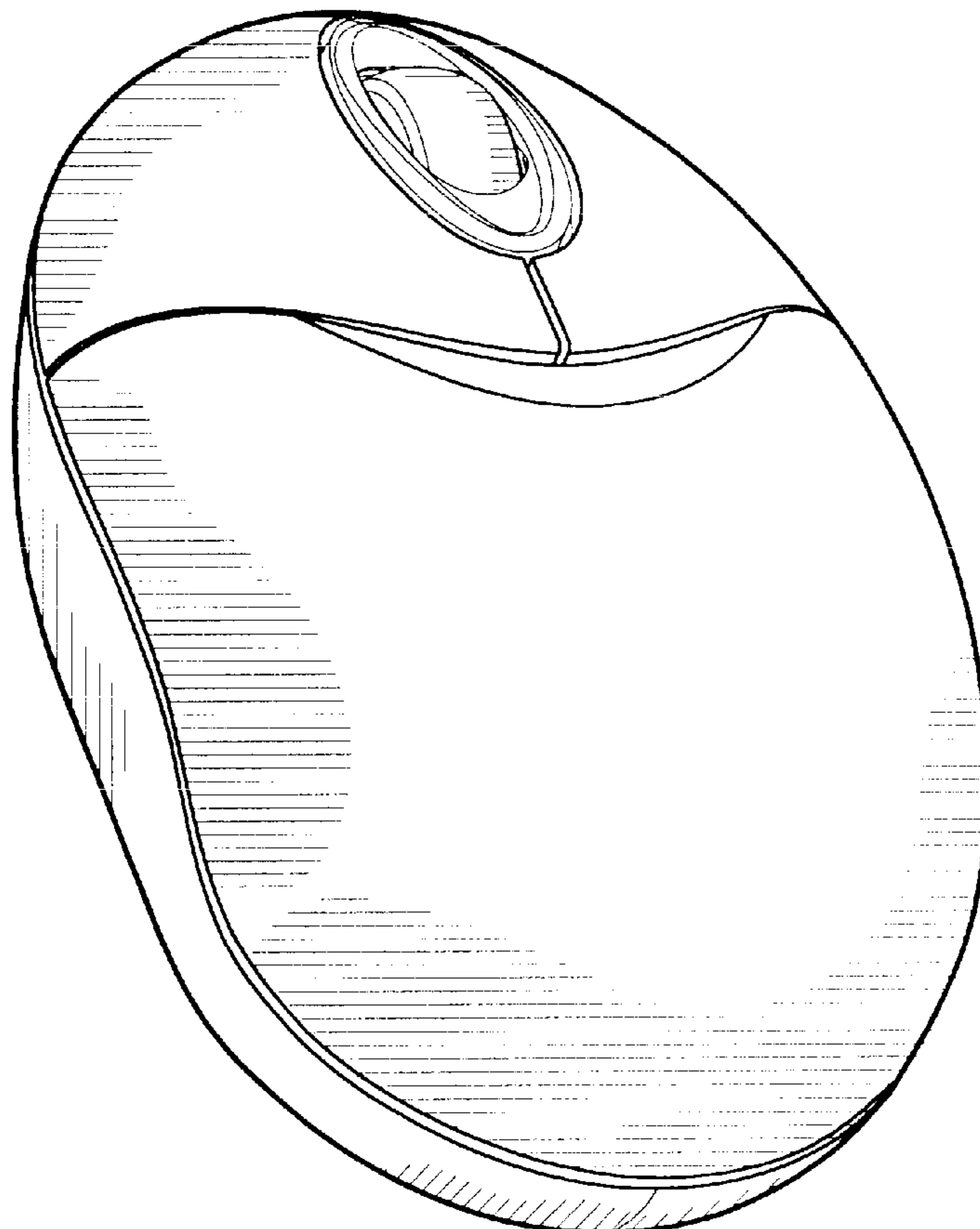
FIG. 11 is a front elevational view thereof;

FIG. 12 is a bottom plane view thereof;

FIG. 13 is a left side elevational view thereof; and,

FIG. 14 is a rear elevational view thereof.

**1 Claim, 6 Drawing Sheets**



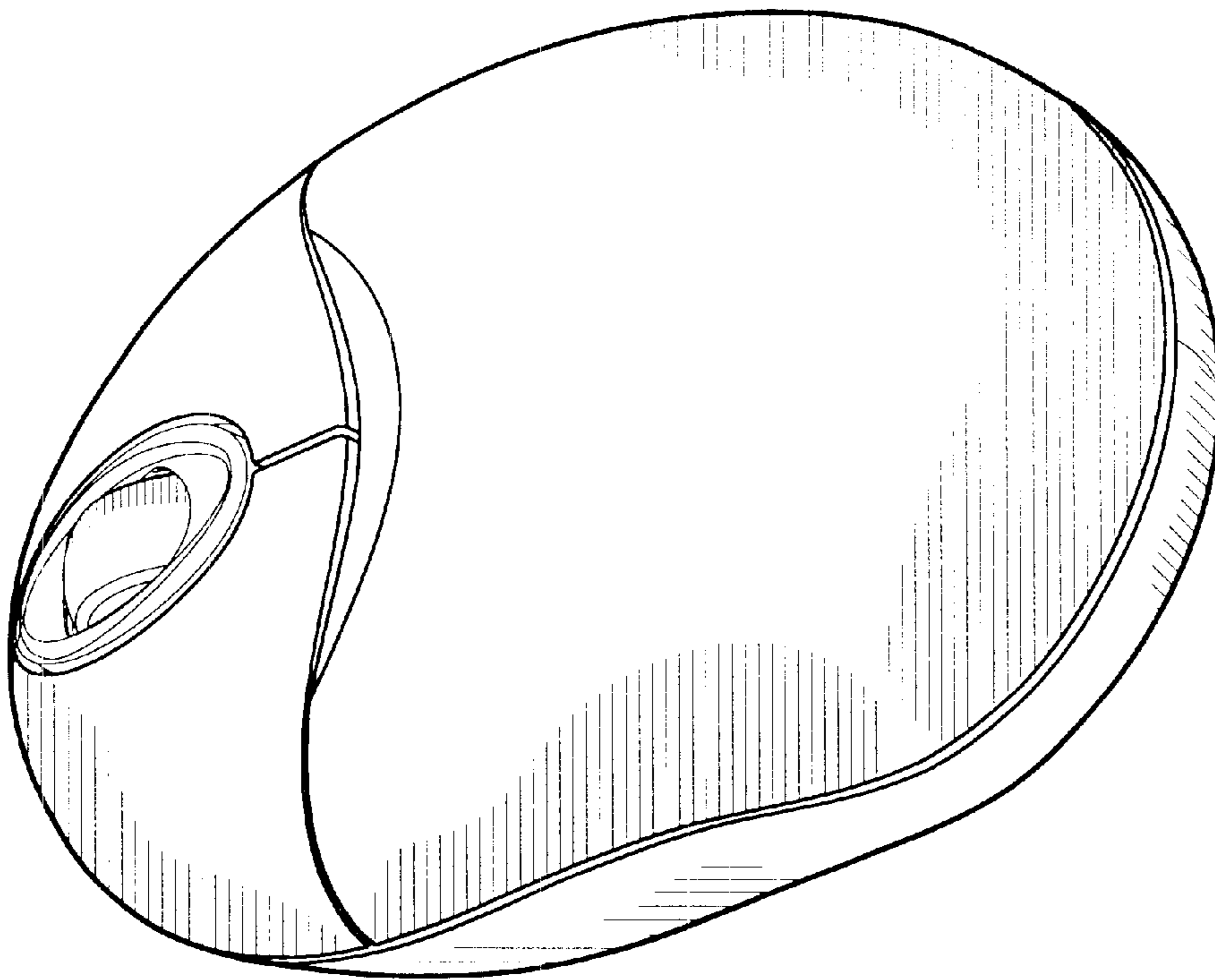


FIG. 1

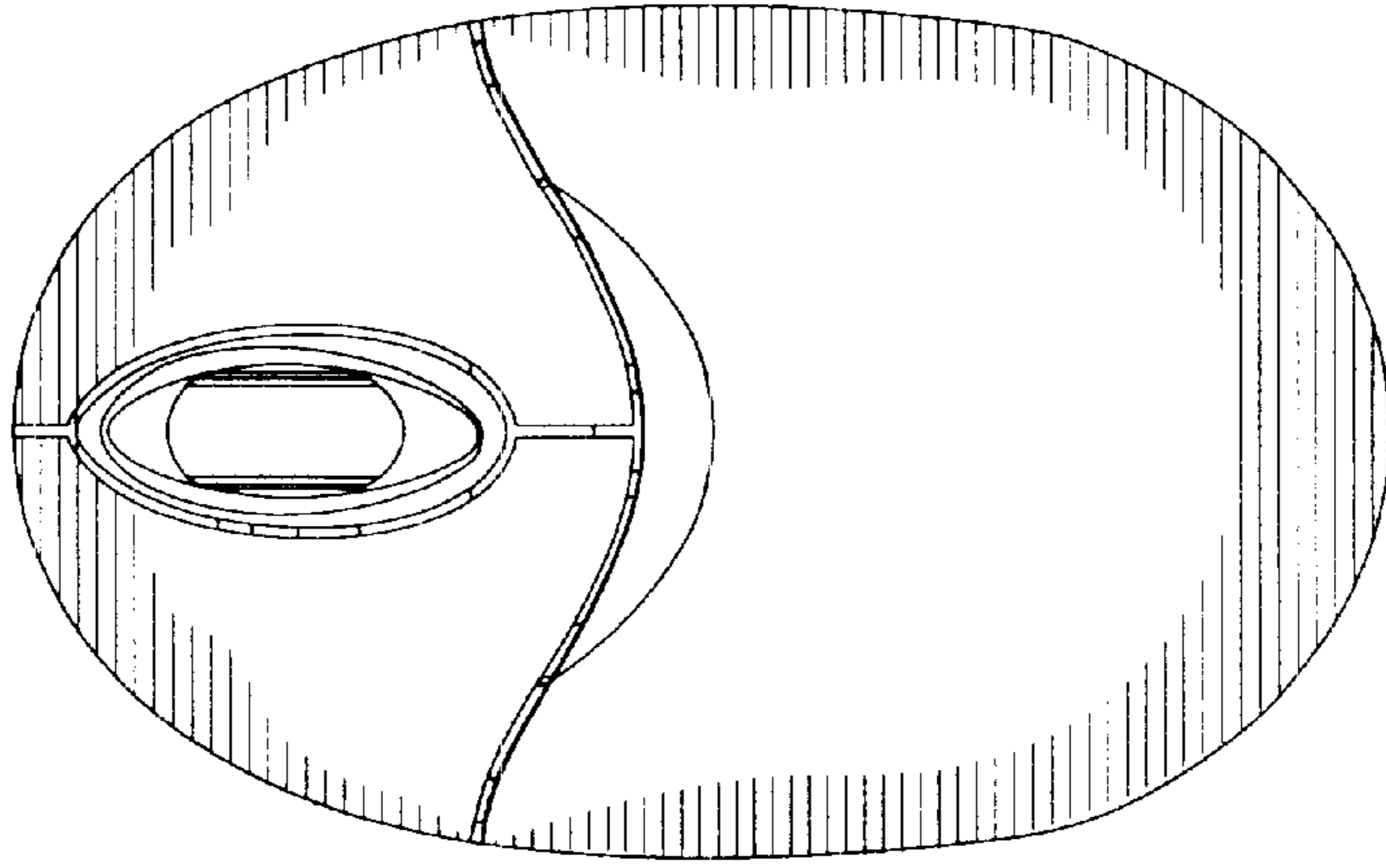


FIG. 4

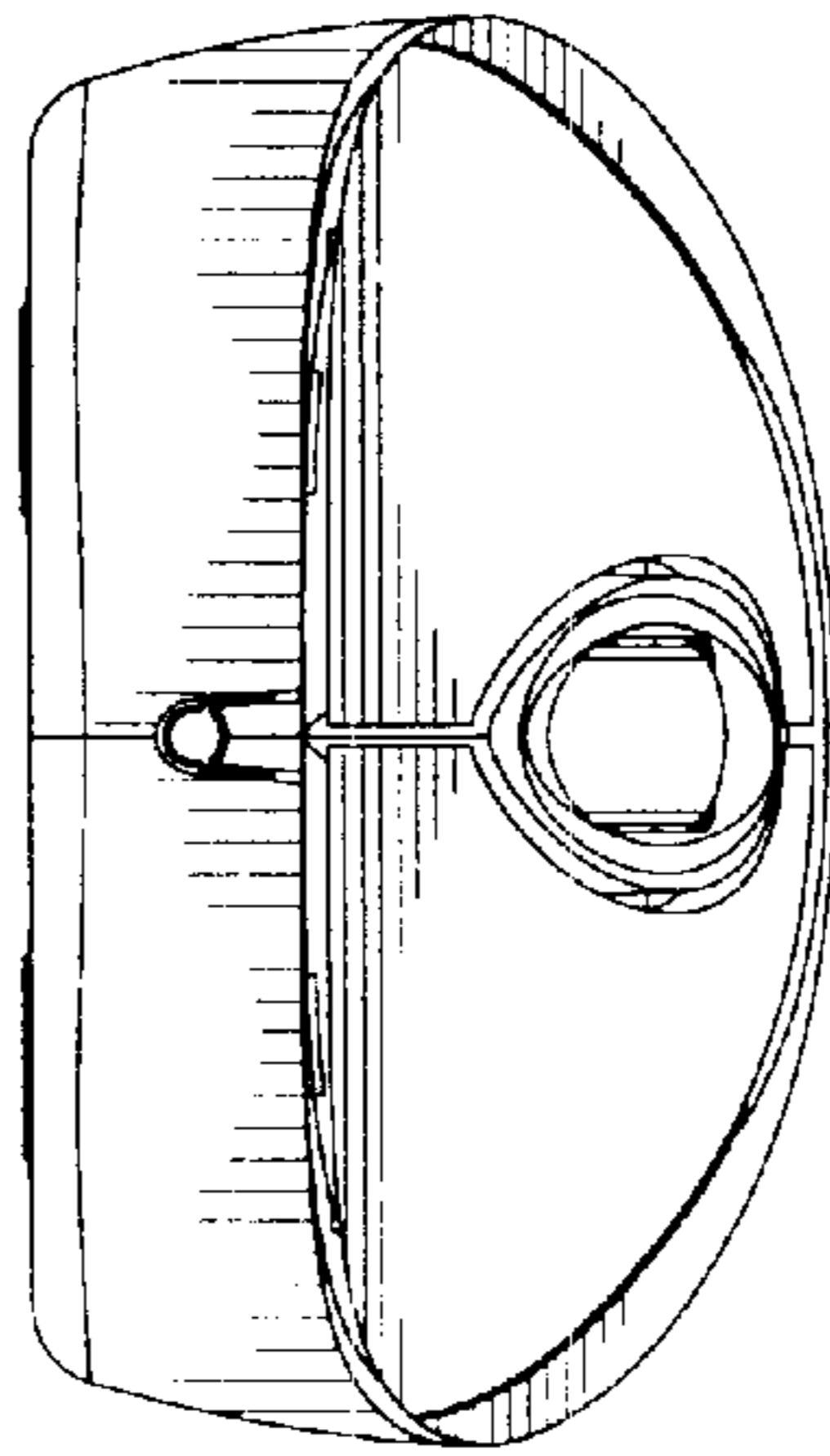


FIG. 3

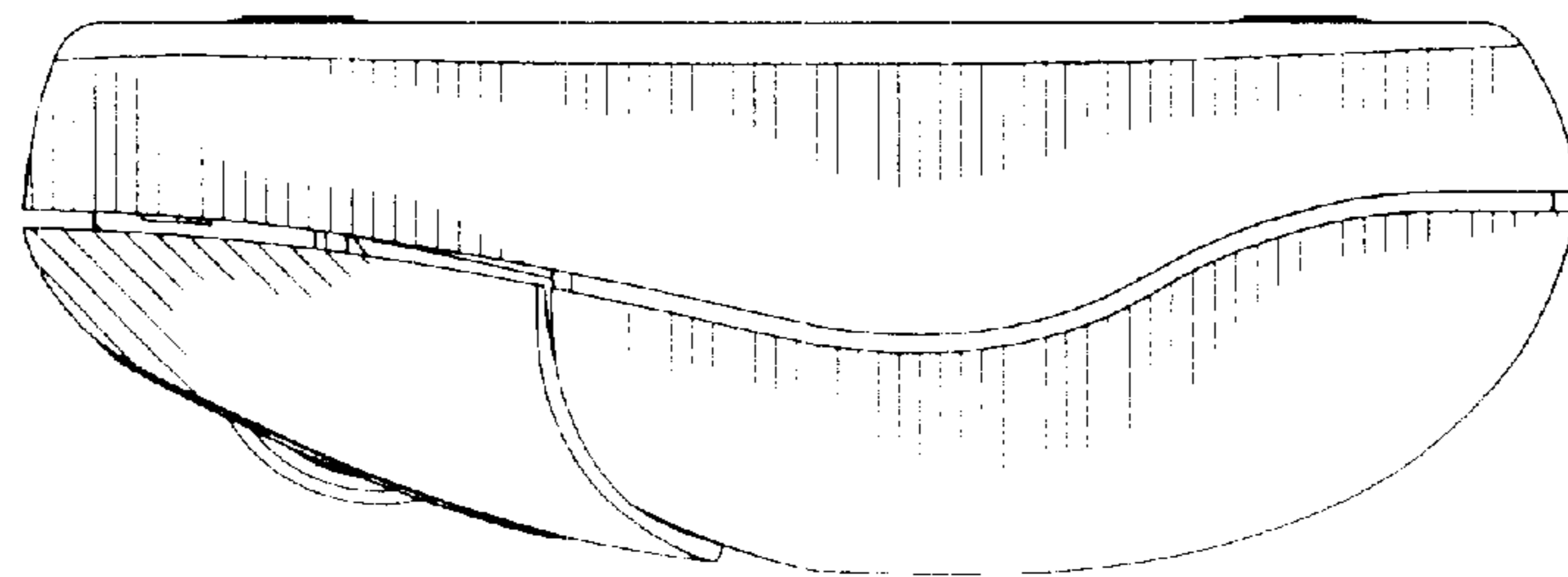


FIG. 2

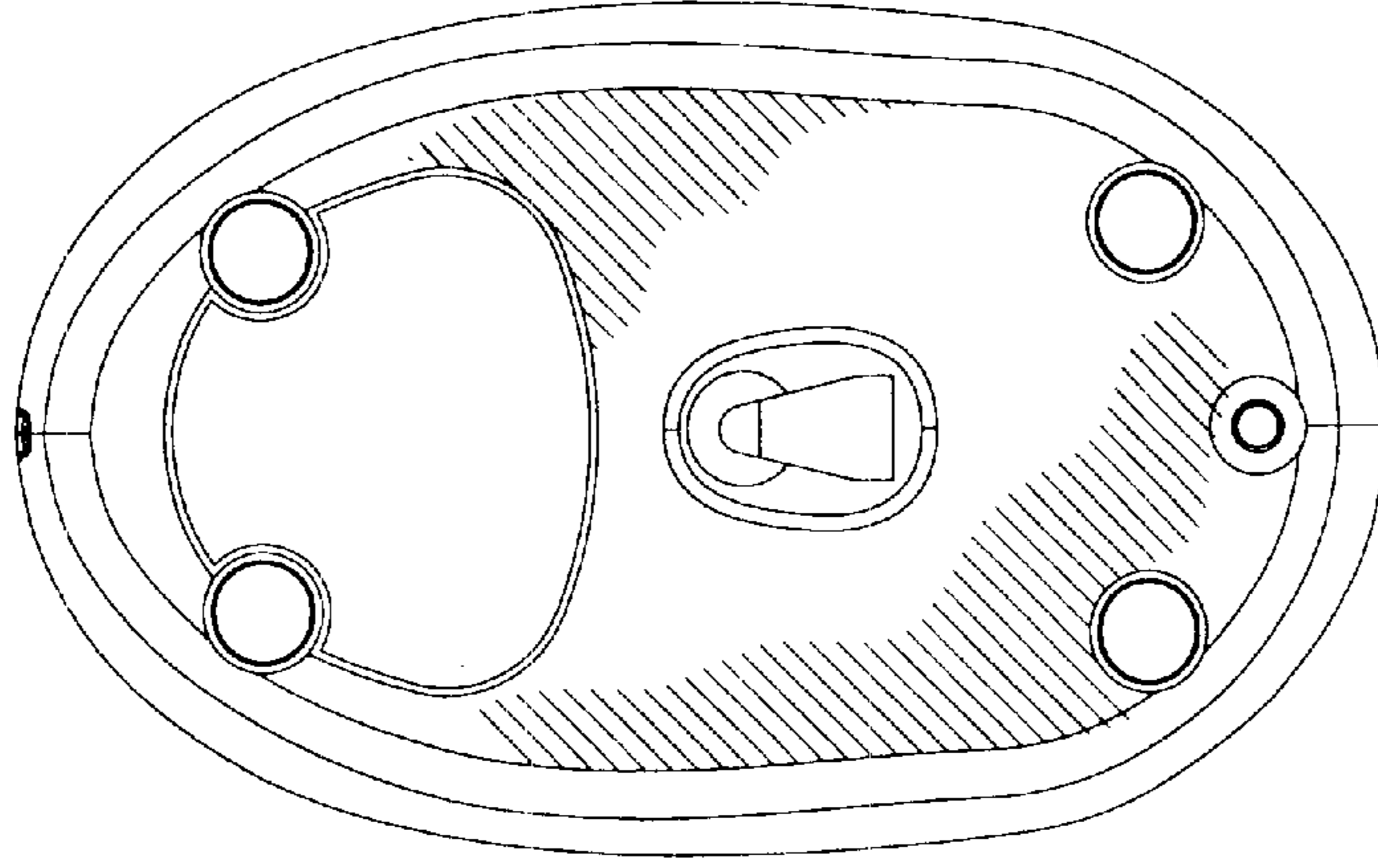


FIG. 7

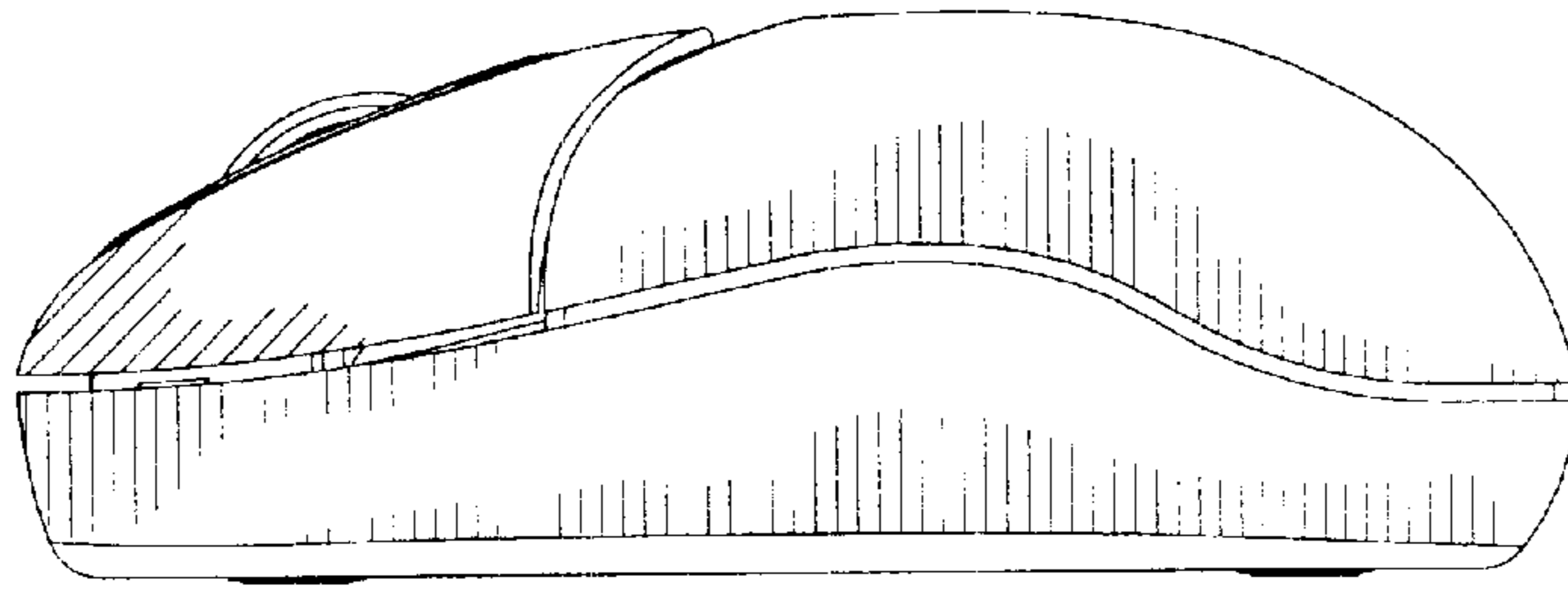


FIG. 6

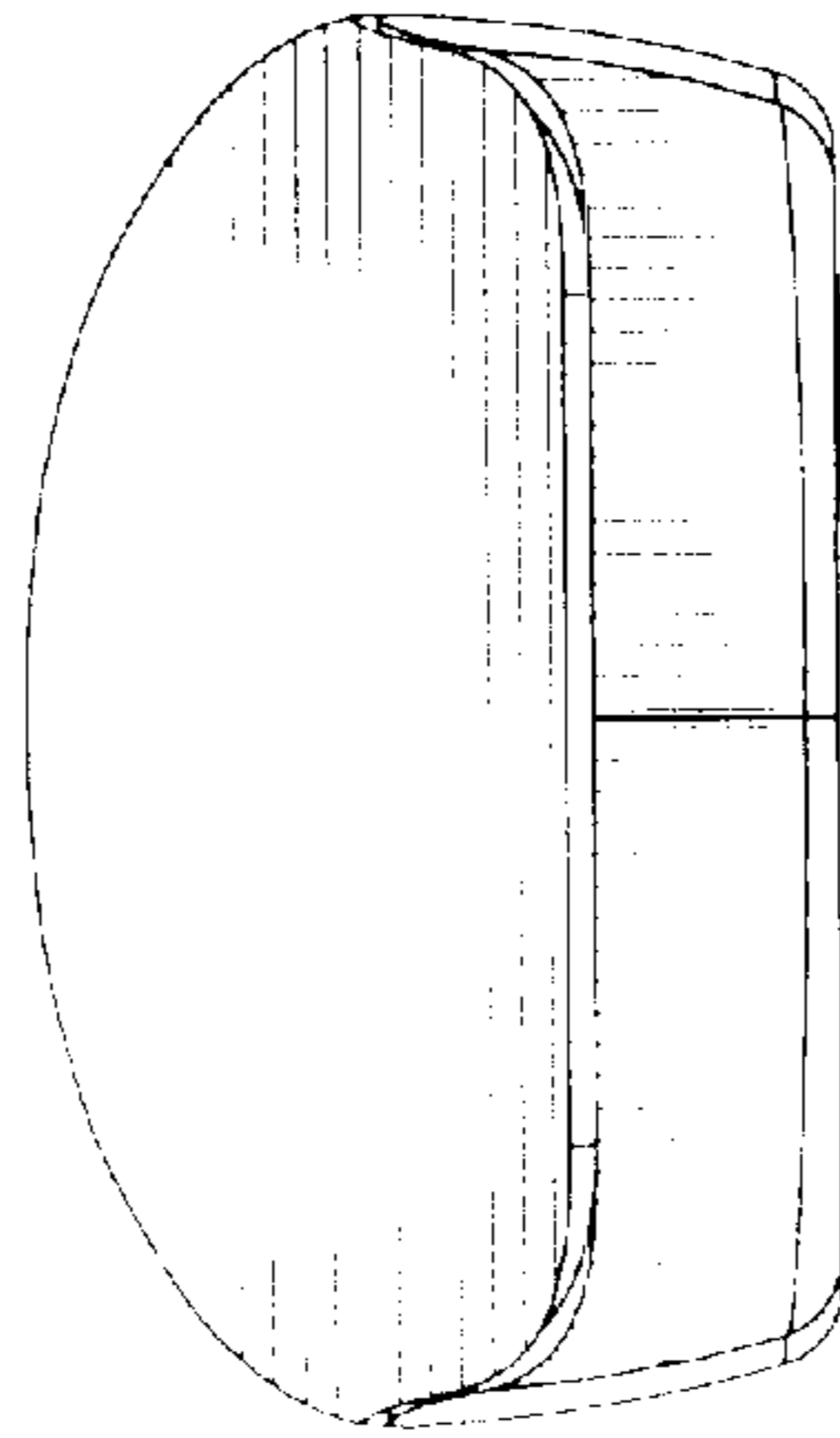


FIG. 5

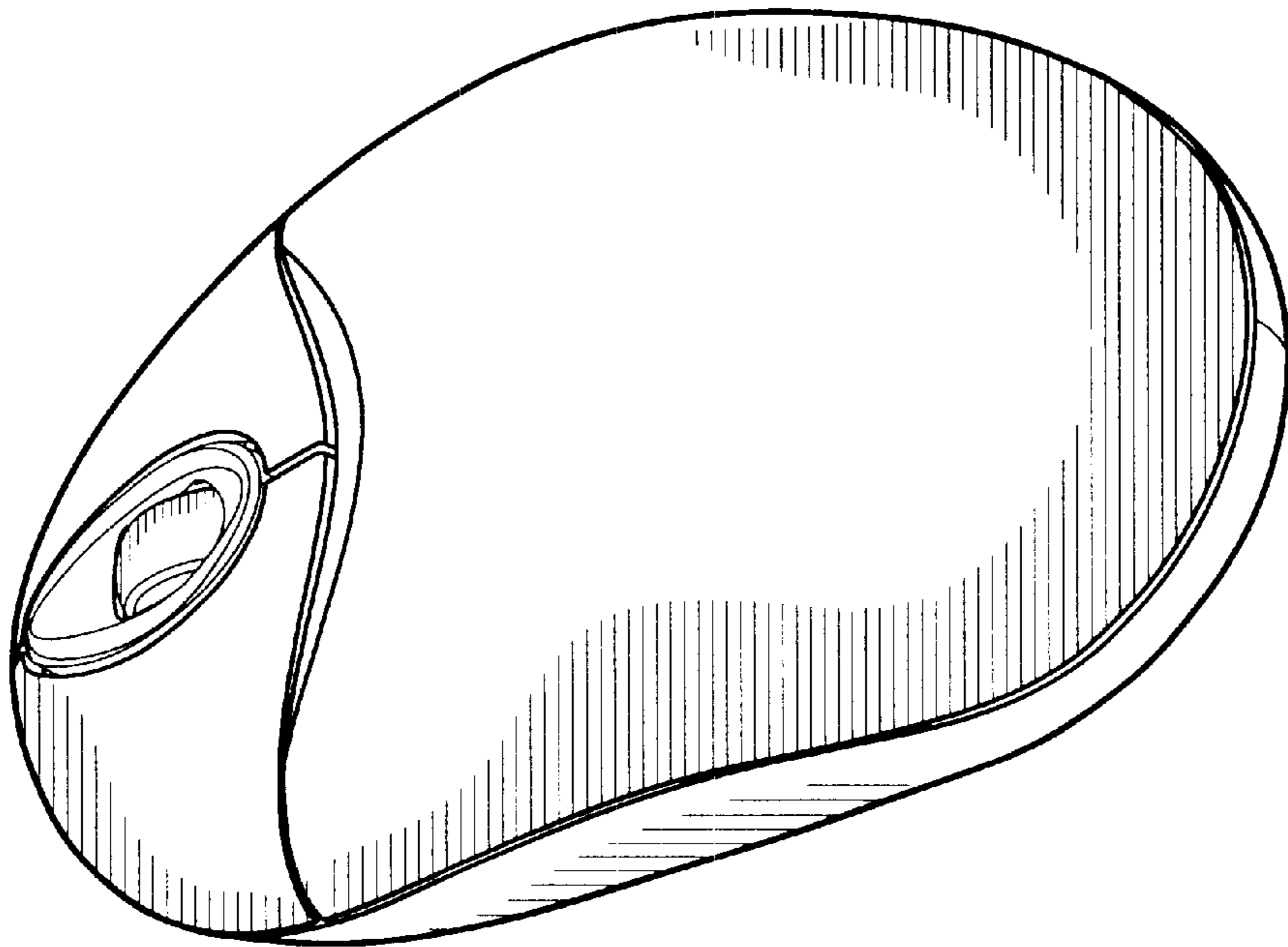


FIG. 8

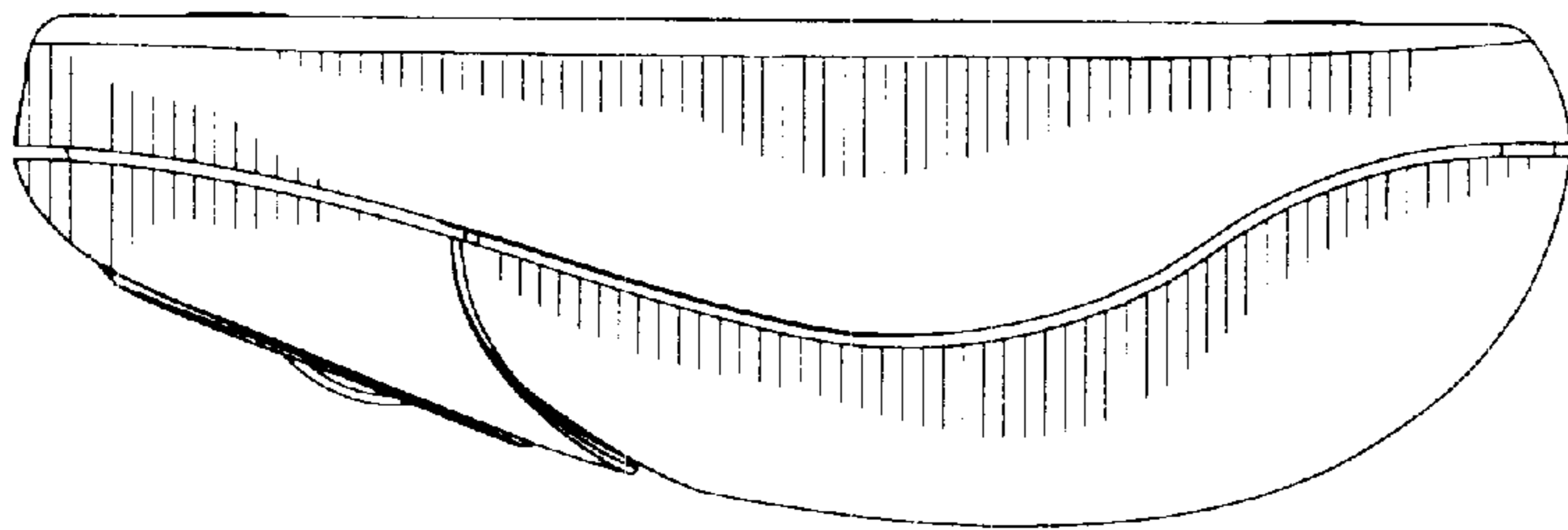


FIG. 9

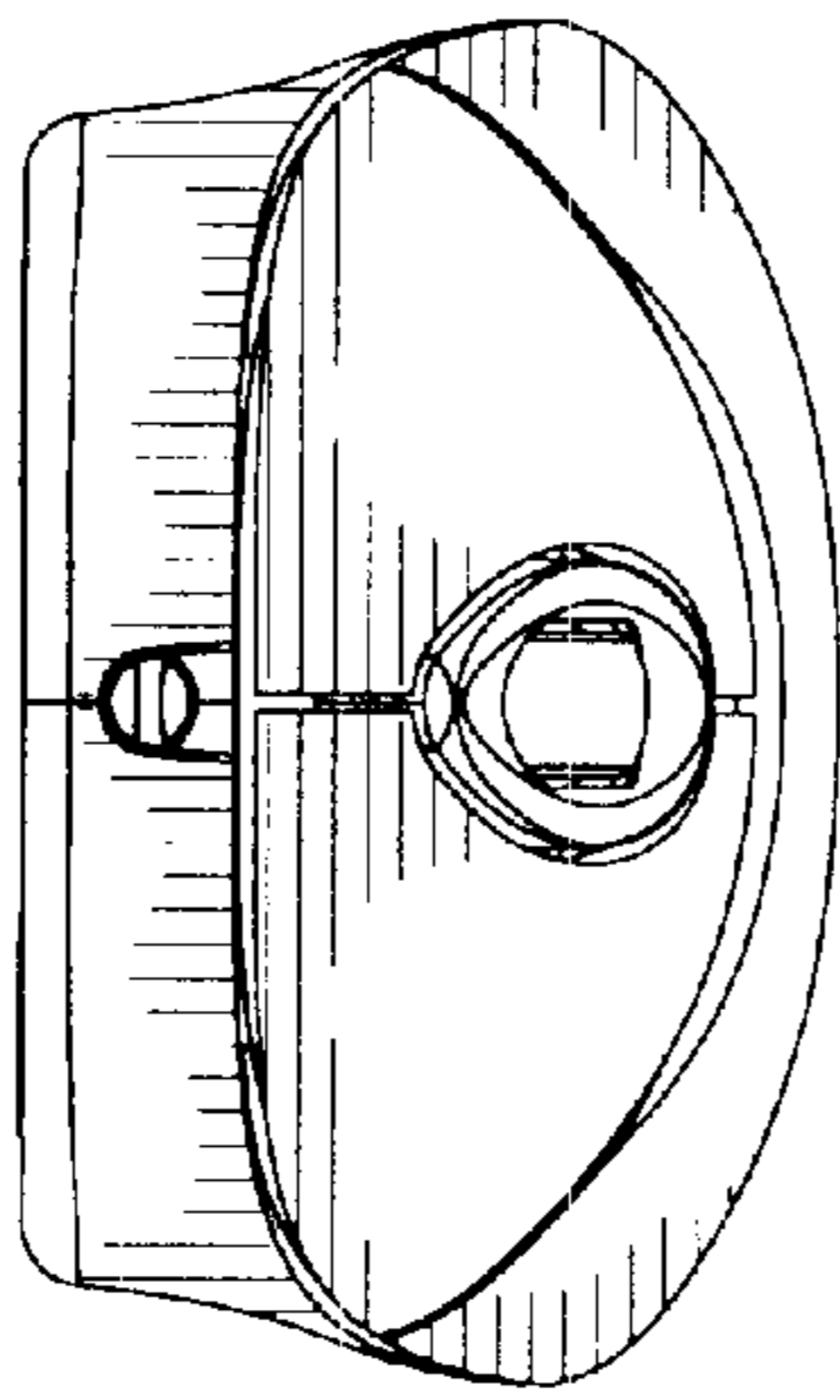


FIG. 10

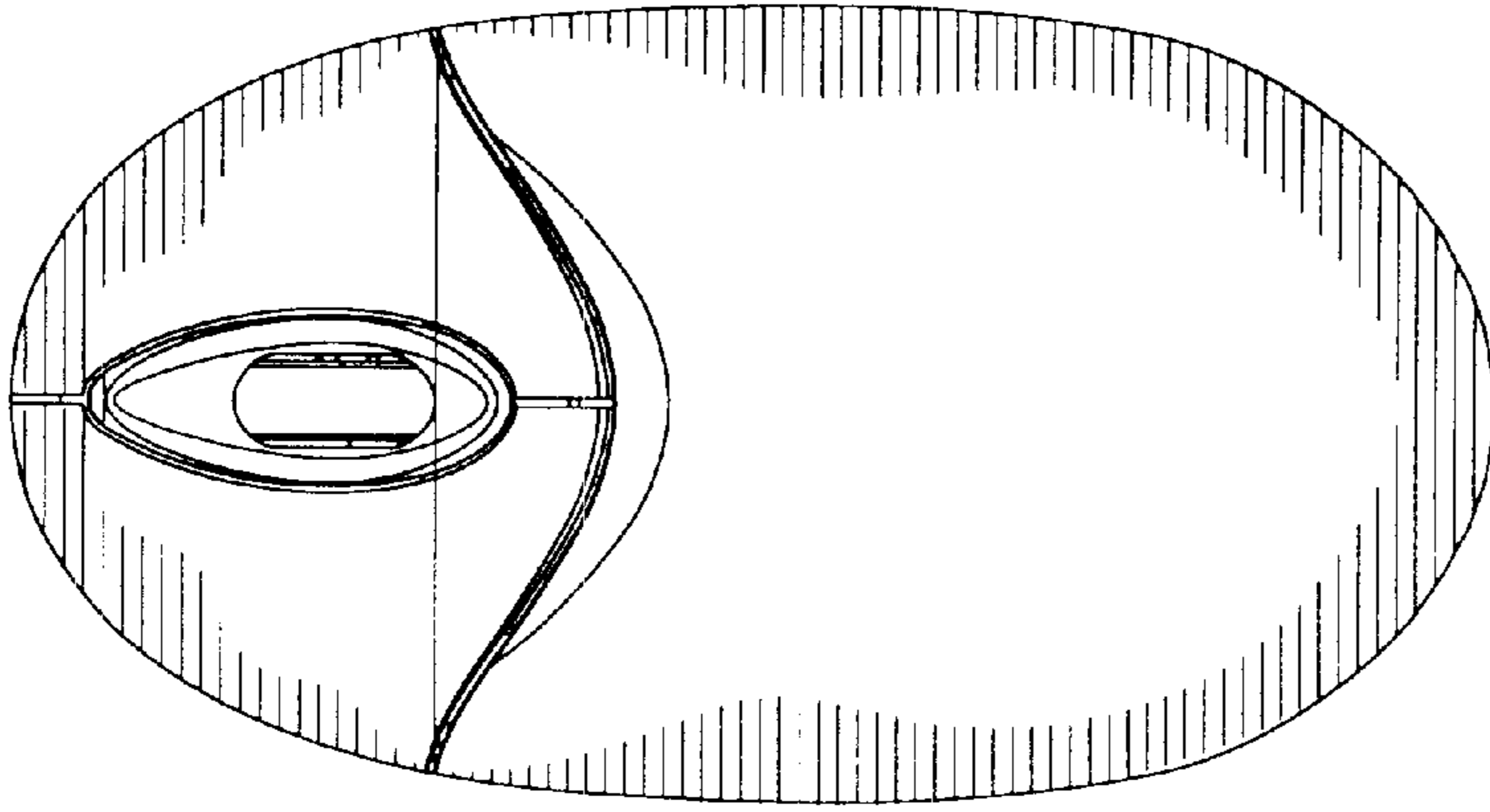


FIG. 11

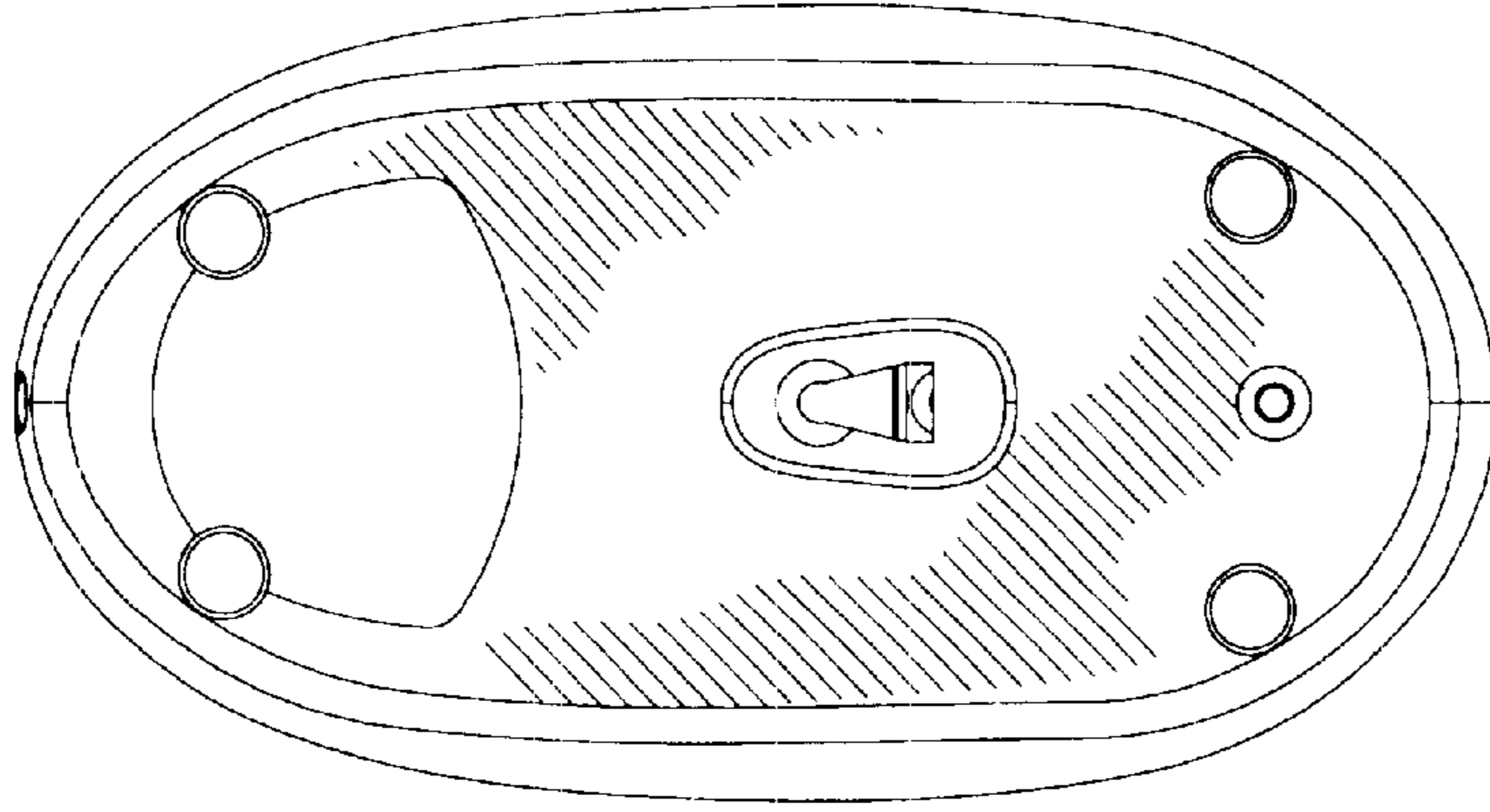


FIG. 14

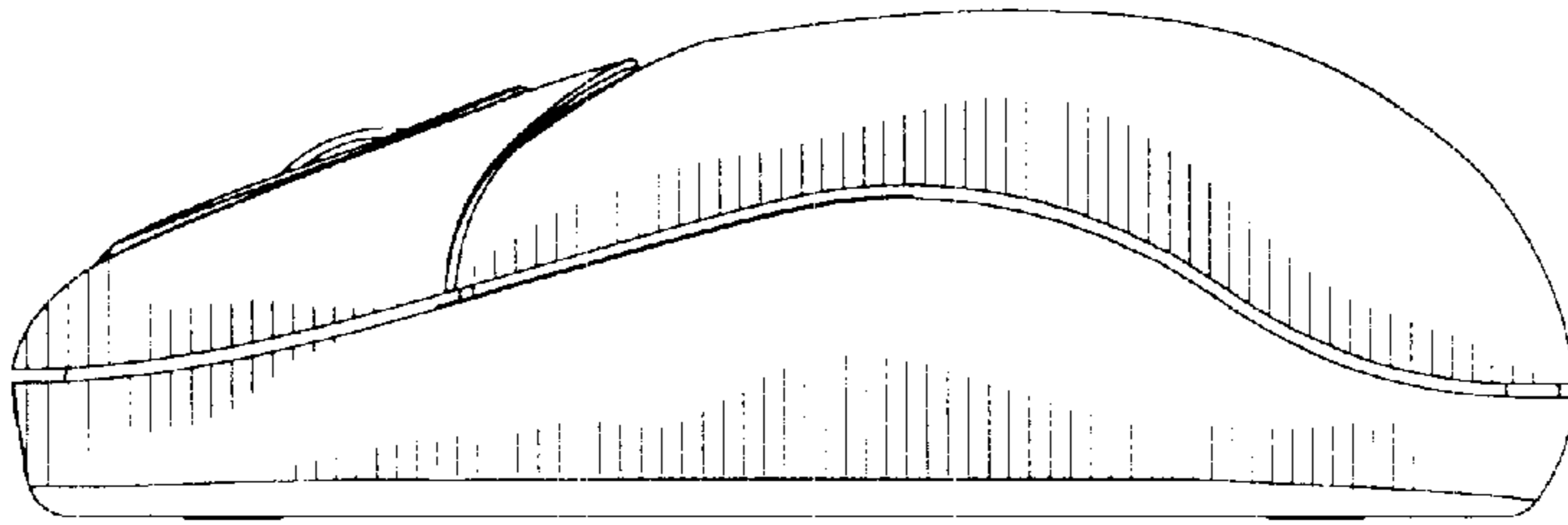


FIG. 13

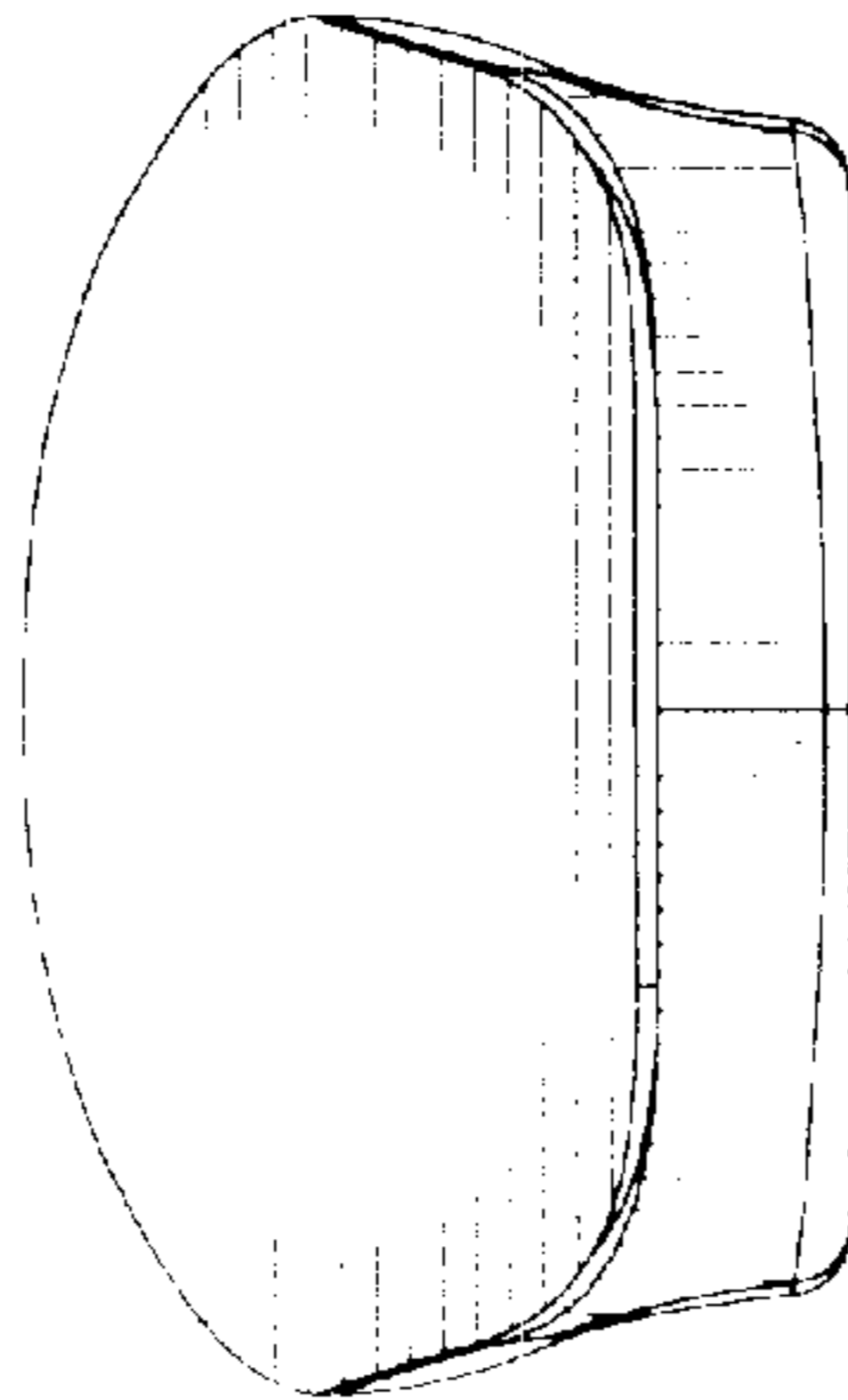


FIG. 12