



US00D458930S

(12) **United States Design Patent**  
**Swansey et al.**

(10) **Patent No.:** **US D458,930 S**  
(45) **Date of Patent:** **\*\* Jun. 18, 2002**

(54) **SPACE-SAVING COMPUTER KEYBOARD LAYOUT**

(75) Inventors: **John David Swansey**, Durham;  
**Antonio Thymie Latto**, Raleigh, both  
of NC (US)

(73) Assignee: **International Business Machines Corporation**, Armonk, NY (US)

(\*\*) Term: **14 Years**

(21) Appl. No.: **29/136,559**

(22) Filed: **Feb. 1, 2001**

**Related U.S. Application Data**

(62) Division of application No. 29/127,639, filed on May 19, 2000, now Pat. No. Des. 441,748.

(51) **LOC (7) Cl.** ..... **14-02**

(52) **U.S. Cl.** ..... **D14/396**

(58) **Field of Search** ..... D14/396-398,  
D14/391-394; D18/1, 2, 7; 178/17 A, 17 C;  
200/5 A, 5 R, 6 A, 6 R; 235/145 A, 145 R;  
341/22, 23; 345/160, 167, 168; 400/484-486

(56) **References Cited**

**U.S. PATENT DOCUMENTS**

D325,199 S \* 4/1992 Gowda et al. .... D14/396

D386,170 S \* 11/1997 Peng ..... D14/396  
5,694,123 A \* 12/1997 Selker et al. .... 341/22  
5,847,697 A \* 12/1998 Sugimoto ..... 345/168  
D410,454 S \* 6/1999 Chen ..... D14/398  
5,995,024 A \* 11/1999 Kambayashi et al. .... 341/22  
D441,748 S \* 5/2001 Swansey et al. .... D14/396

\* cited by examiner

*Primary Examiner*—Freda Nunn

(74) *Attorney, Agent, or Firm*—Bracewell & Patterson, LLP; J. Bruce Schelkopf

(57) **CLAIM**

The ornamental design for a space-saving computer keyboard layout, as shown and described.

**DESCRIPTION**

FIG. 1 is a top plan view of a space-saving computer keyboard layout constructed in accordance with the invention;

FIG. 2 is a front elevational view thereof;

FIG. 3 is a rear elevational view thereof;

FIG. 4 is a left side elevational view thereof;

FIG. 5 is a right side elevational view thereof;

FIG. 6 is a bottom plan view thereof on a reduced scale; and,

FIG. 7 is a top front right isometric view thereof.

**1 Claim, 3 Drawing Sheets**

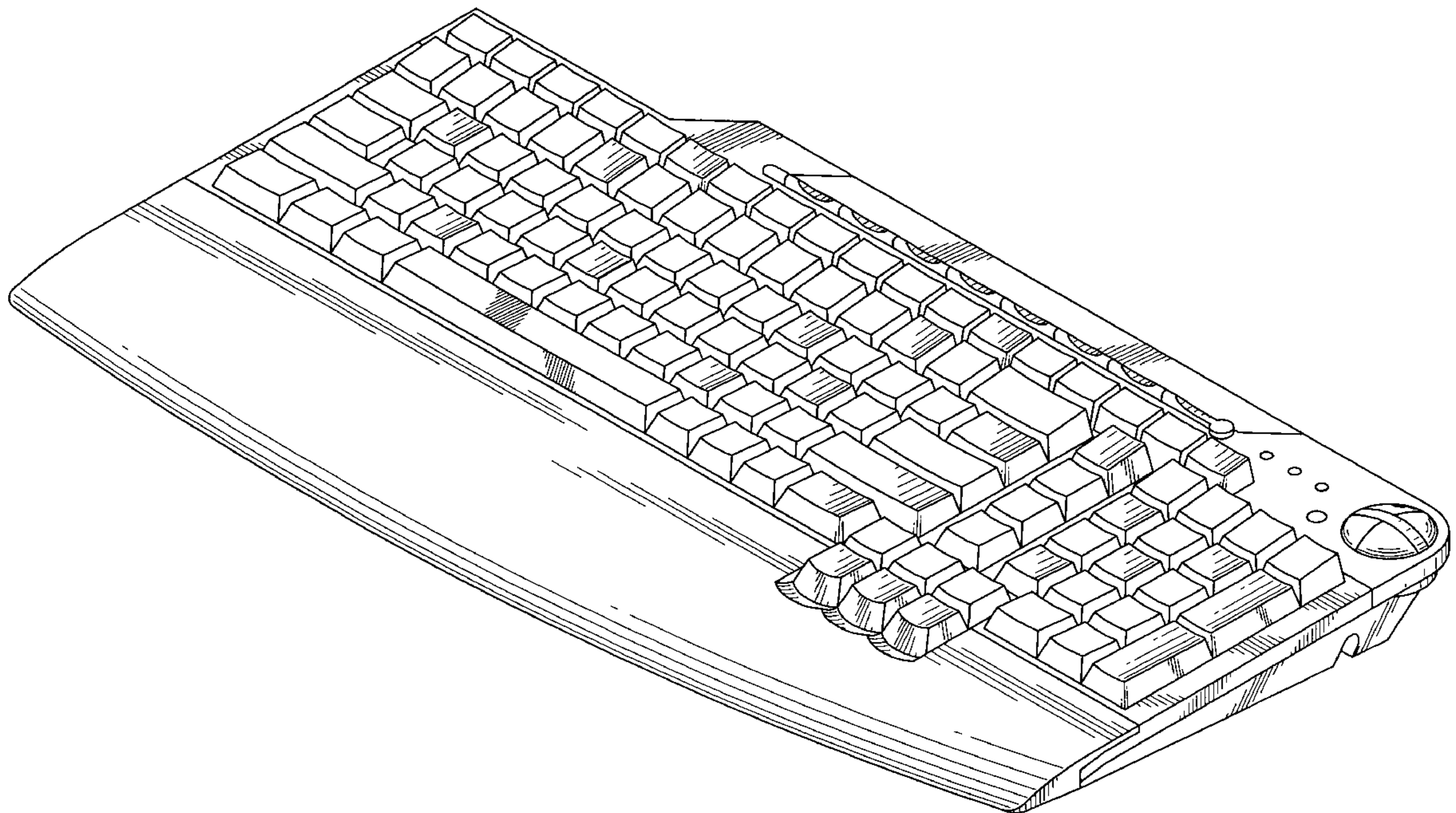


Fig. 1

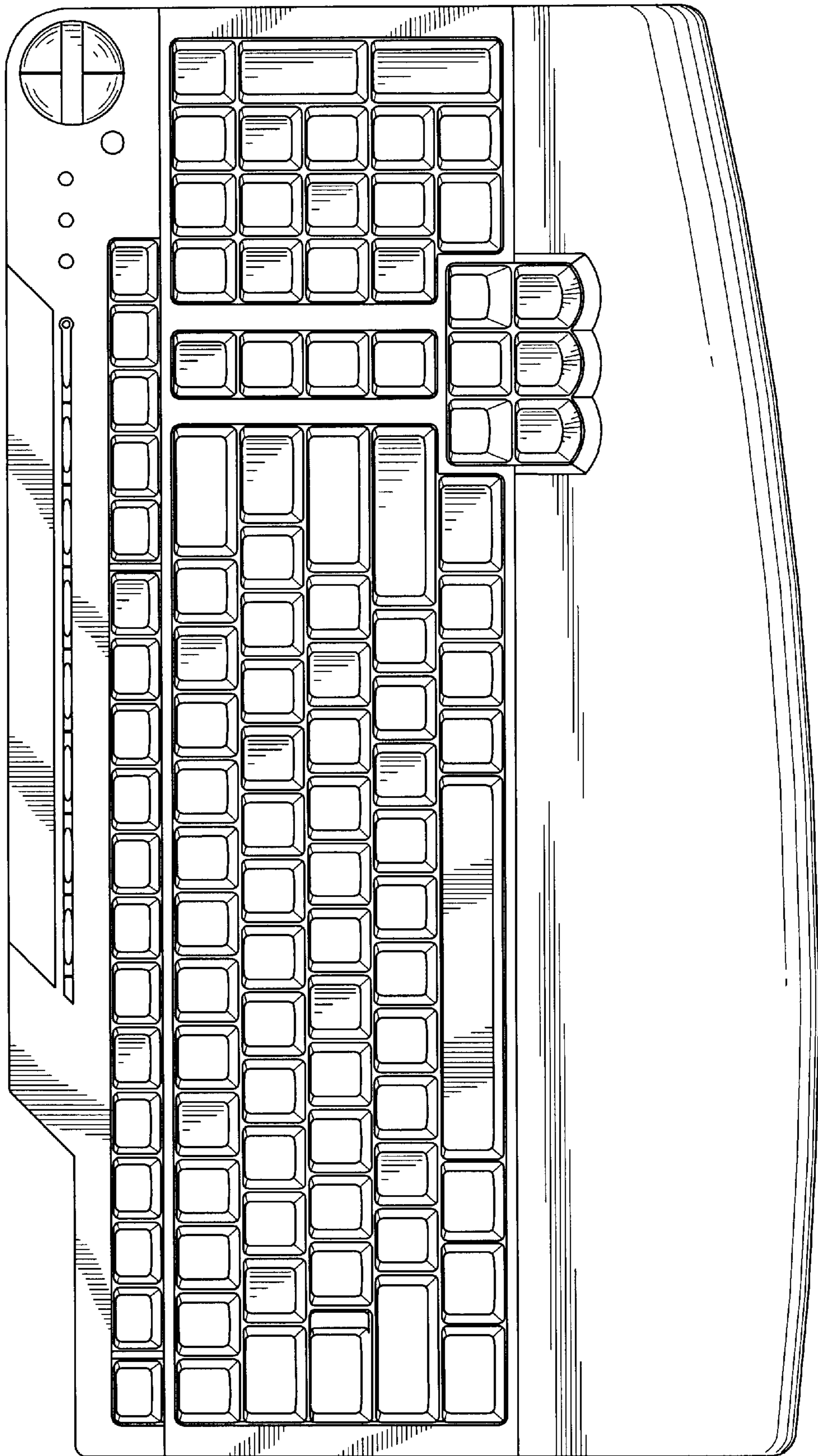


Fig. 2

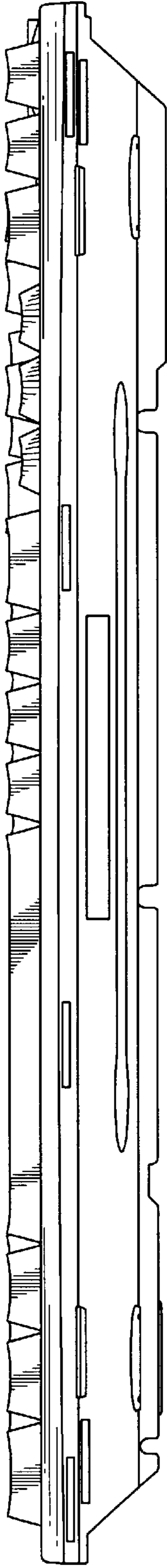


Fig. 3

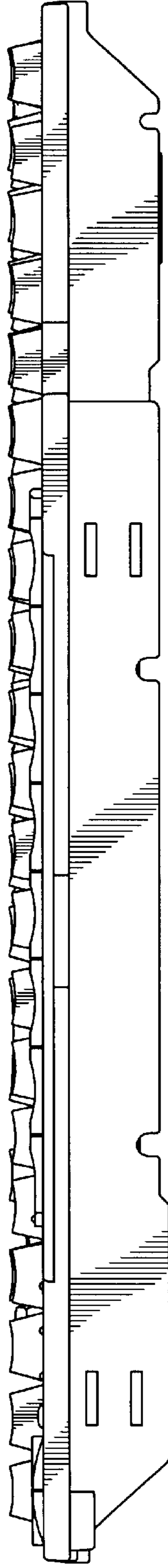


Fig. 4

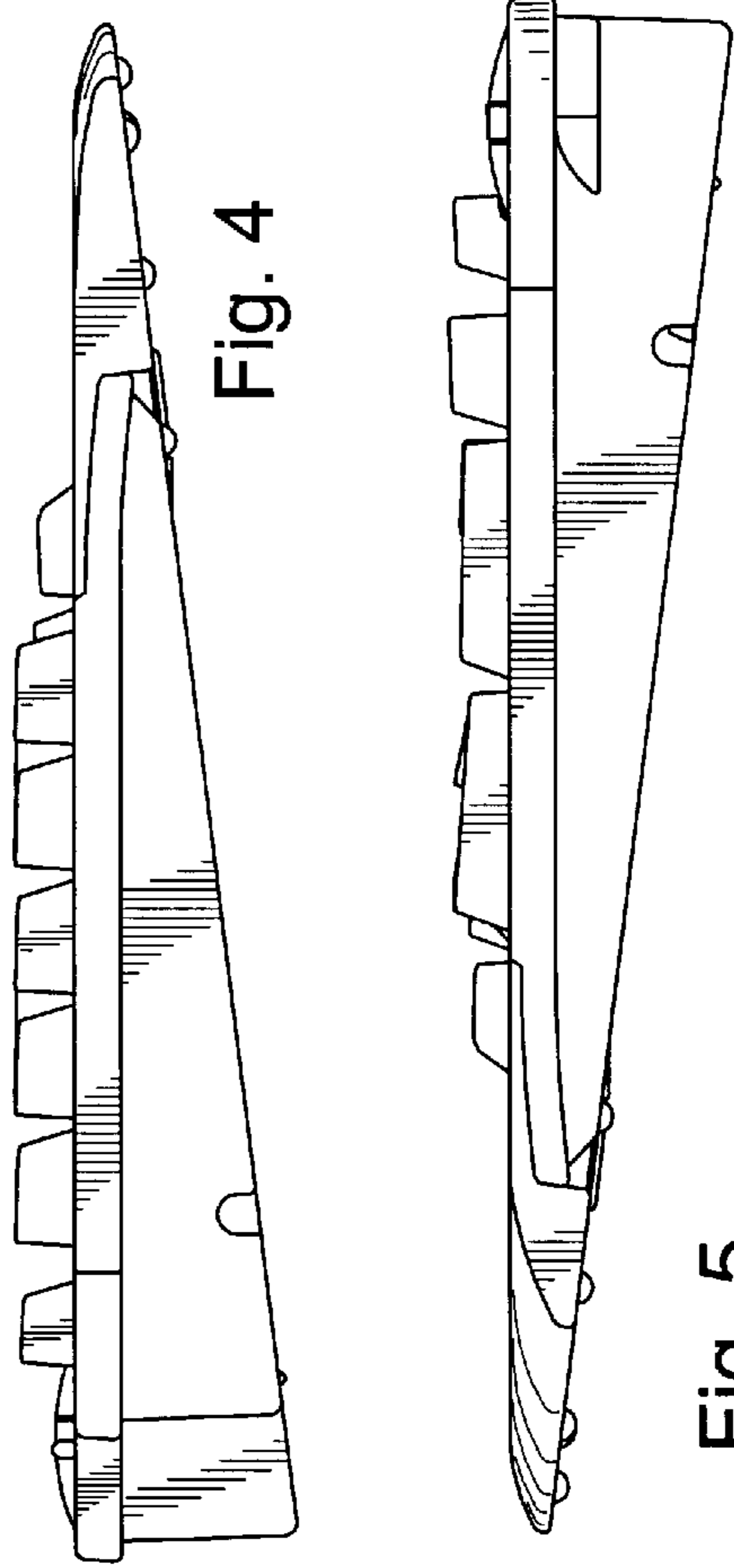


Fig. 5

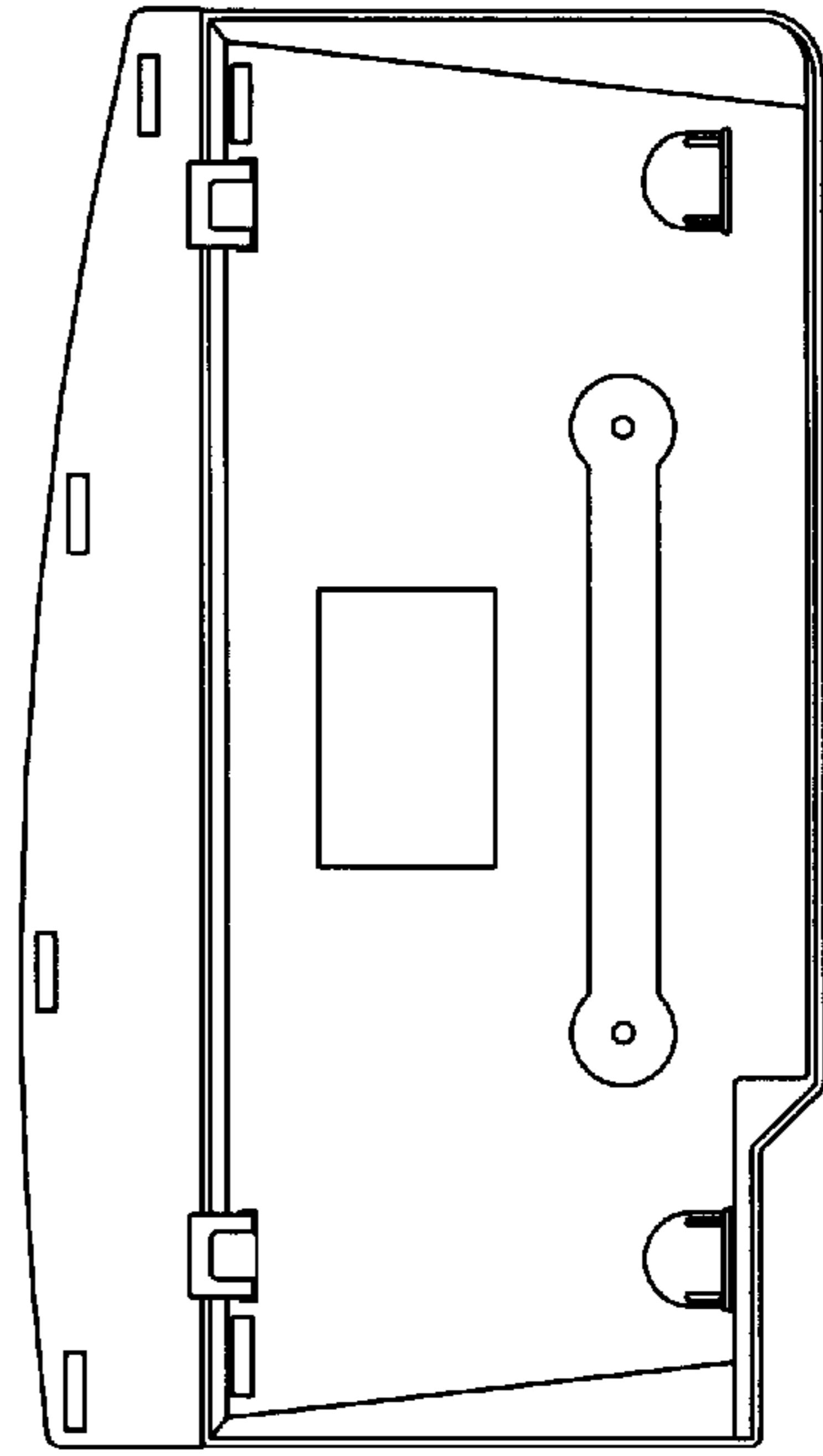


Fig. 6

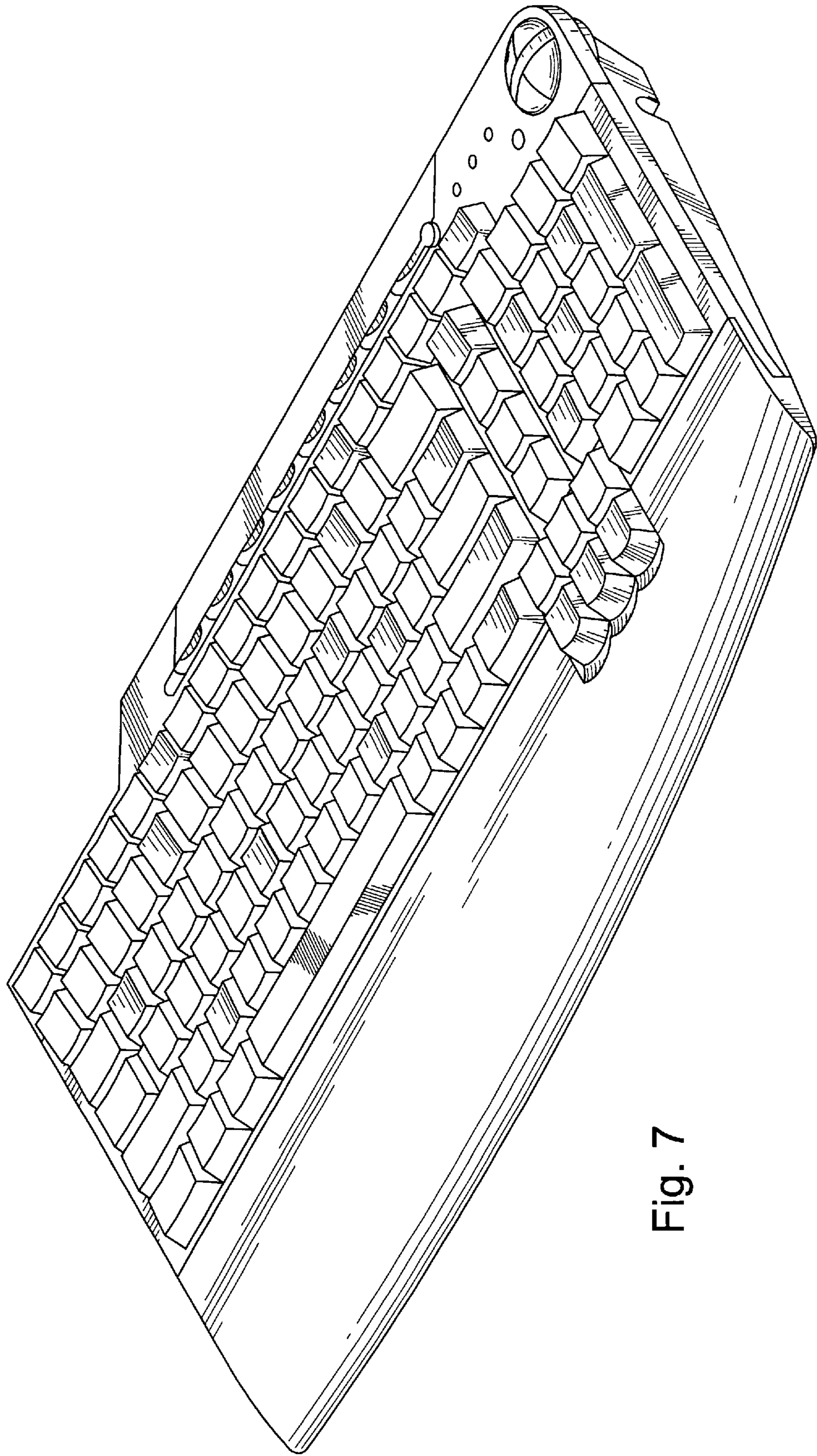


Fig. 7