



US00D458929S

(12) **United States Design Patent**
Kim et al.

(10) **Patent No.:** **US D458,929 S**
(45) **Date of Patent:** **** Jun. 18, 2002**

(54) **WATERPROOF KEYBOARD**

6,215,420 B1 4/2001 Harrison et al.

(75) Inventors: **Chunshik Kim**, Kang-won (KR);
Robert G. Harrison; **Varina Cordova**,
both of Seattle, WA (US); **Russ**
Whitman, Mill Creek, WA (US)

* cited by examiner

Primary Examiner—Freda Nunn
(74) *Attorney, Agent, or Firm*—Sonnenschein Nath &
Rosenthal

(73) Assignee: **Icebox, LLC**, Lake Forest, IL (US)

(57) **CLAIM**

(**) Term: **14 Years**

The ornamental design for a waterproof keyboard, as shown
and described.

(21) Appl. No.: **29/132,593**

(22) Filed: **Nov. 10, 2000**

(51) **LOC (7) Cl.** **14-02**

(52) **U.S. Cl.** **D14/392**

(58) **Field of Search** D14/391-397;
D18/1, 2, 7; 178/17 A, 17 C; 200/5 A,
5 R, 6 A, 6 R; 235/145 A, 145 R; 345/160,
167, 168; 341/22, 23, 20; 400/484-486,
488, 489, 479

DESCRIPTION

A portion of the disclosure of this patent document contains
material to which a claim for copyright is made. The
copyright owner has no objection to the facsimile reproduc-
tion by anyone of the patent document or the patent disclo-
sure, as it appears in the Patent and Trademark Office patent
file or records, but reserves all other copyright rights what-
soever.

FIG. 1 is a top, left, front perspective view of our new design
for a waterproof keyboard;

FIG. 2 is a front elevational view of the keyboard;

FIG. 3 is a rear elevational view of the keyboard;

FIG. 4 is a left side elevational view of the keyboard;

FIG. 5 is a right side elevational view of the keyboard;

FIG. 6 is a top plan view of the keyboard; and,

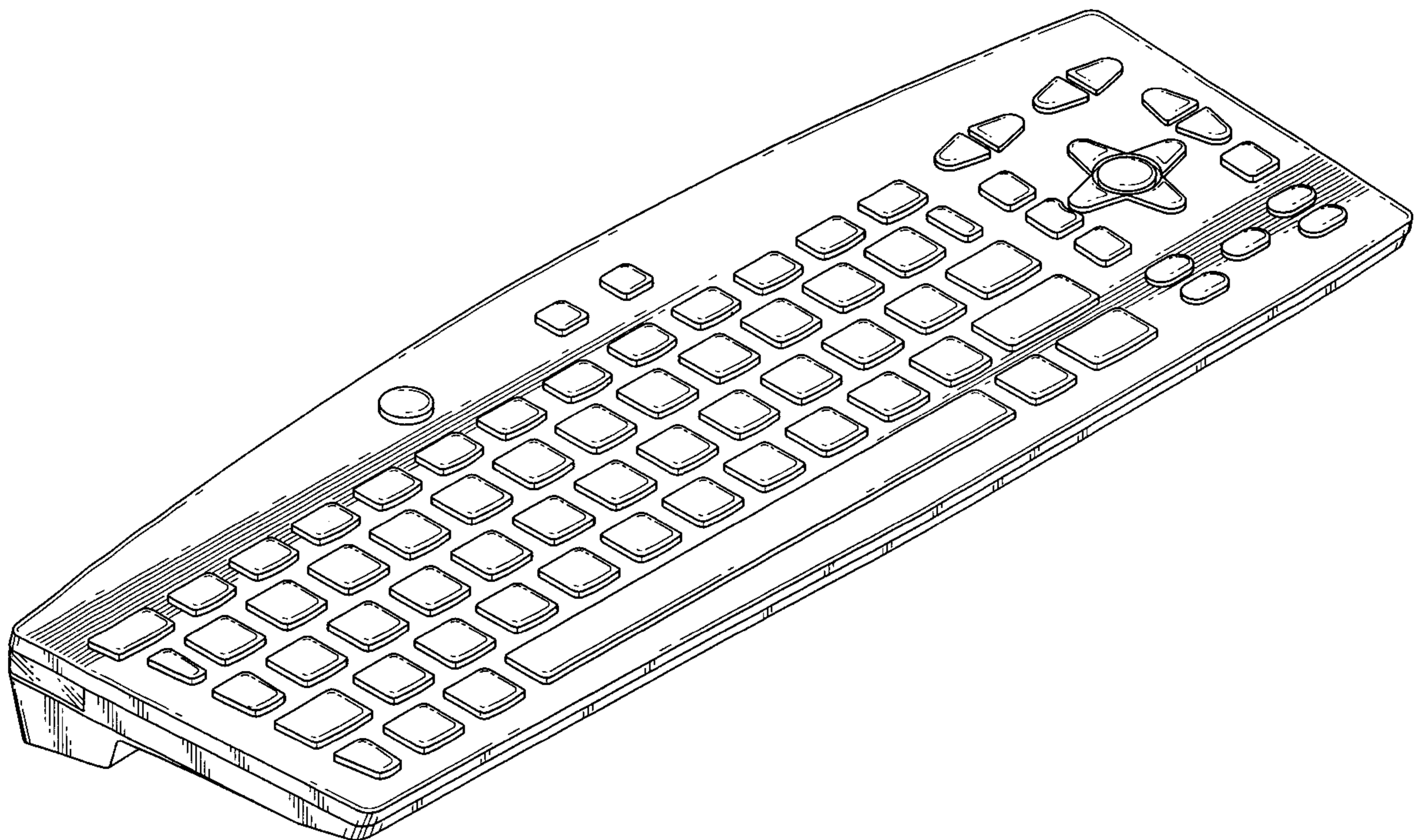
FIG. 7 is a bottom plan view of the keyboard.

(56) **References Cited**

U.S. PATENT DOCUMENTS

4,396,830 A * 8/1983 Isozaki et al. 235/145 R
5,180,237 A * 1/1993 Chen 400/479
D344,724 S * 3/1994 Pangburn D14/392
5,565,865 A * 10/1996 So 341/20
5,734,136 A * 3/1998 Newcomer et al. 200/5 A

1 Claim, 4 Drawing Sheets



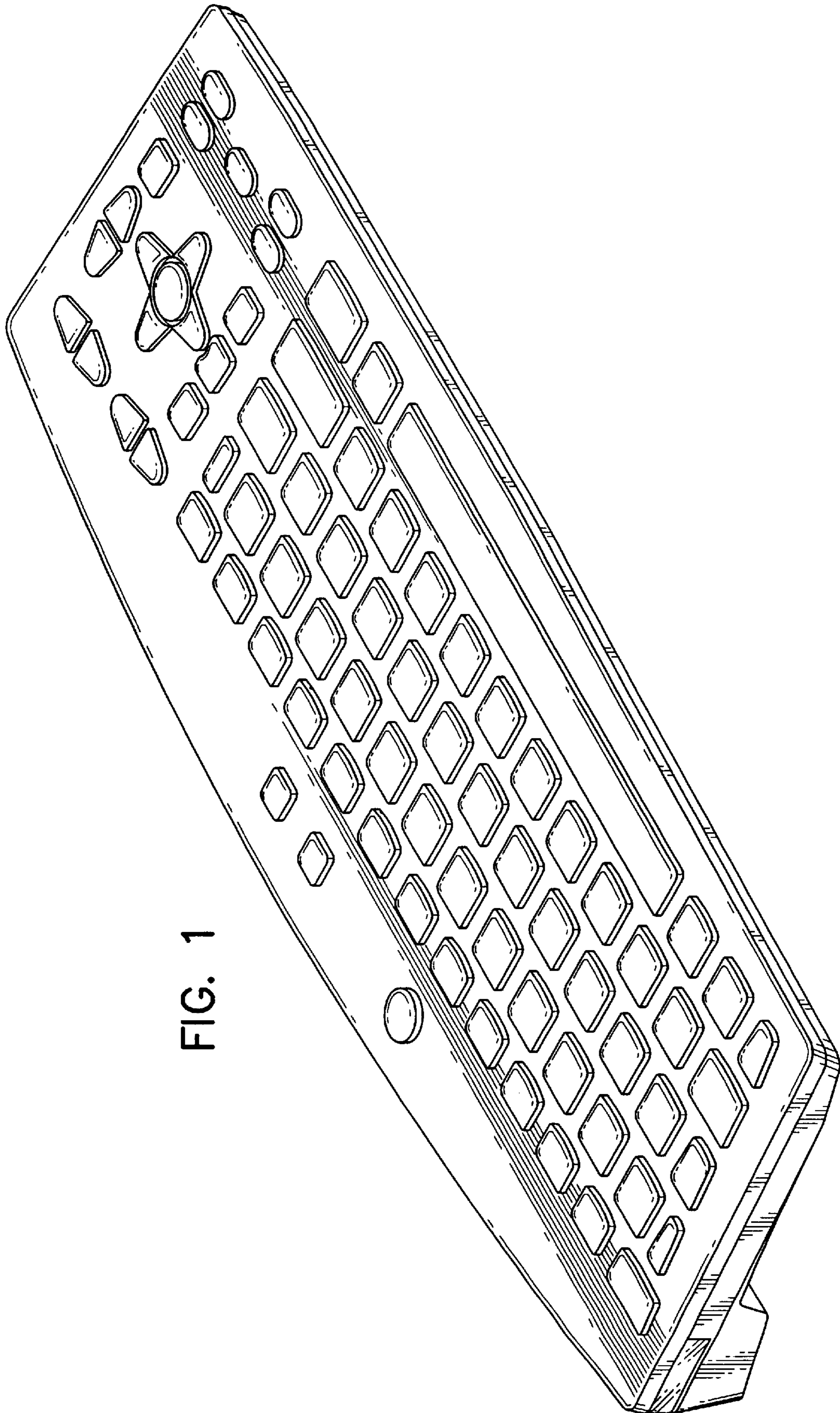


FIG. 1

FIG. 2

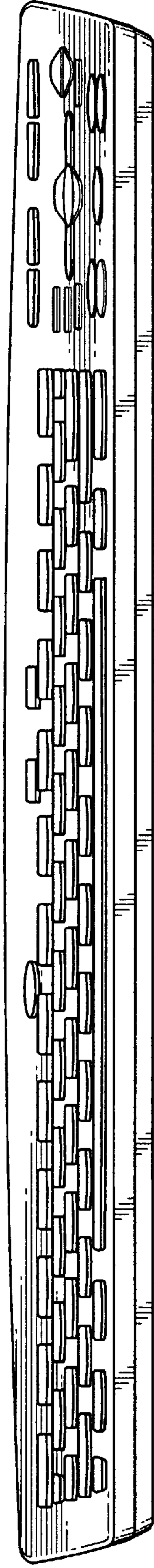


FIG. 3

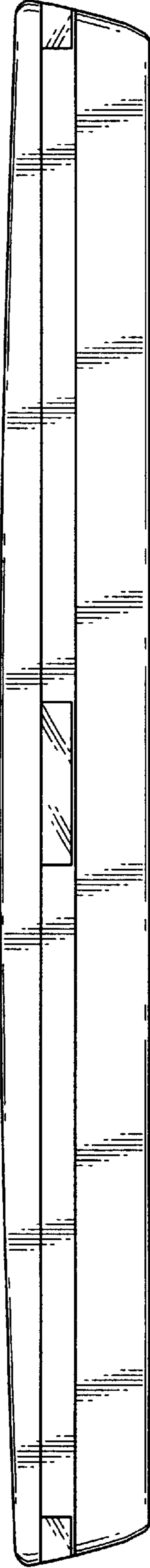


FIG. 4

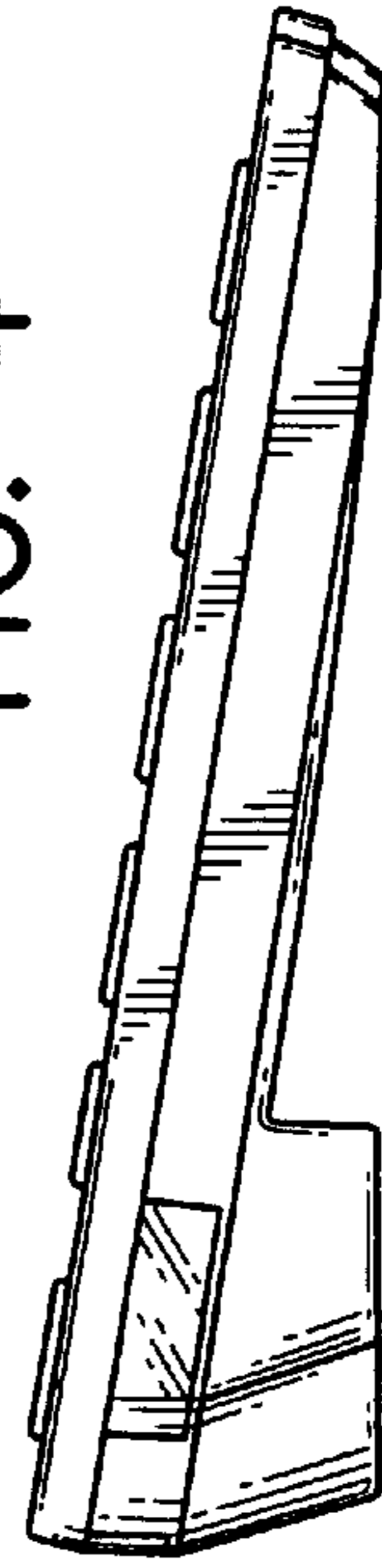


FIG. 5



FIG. 6

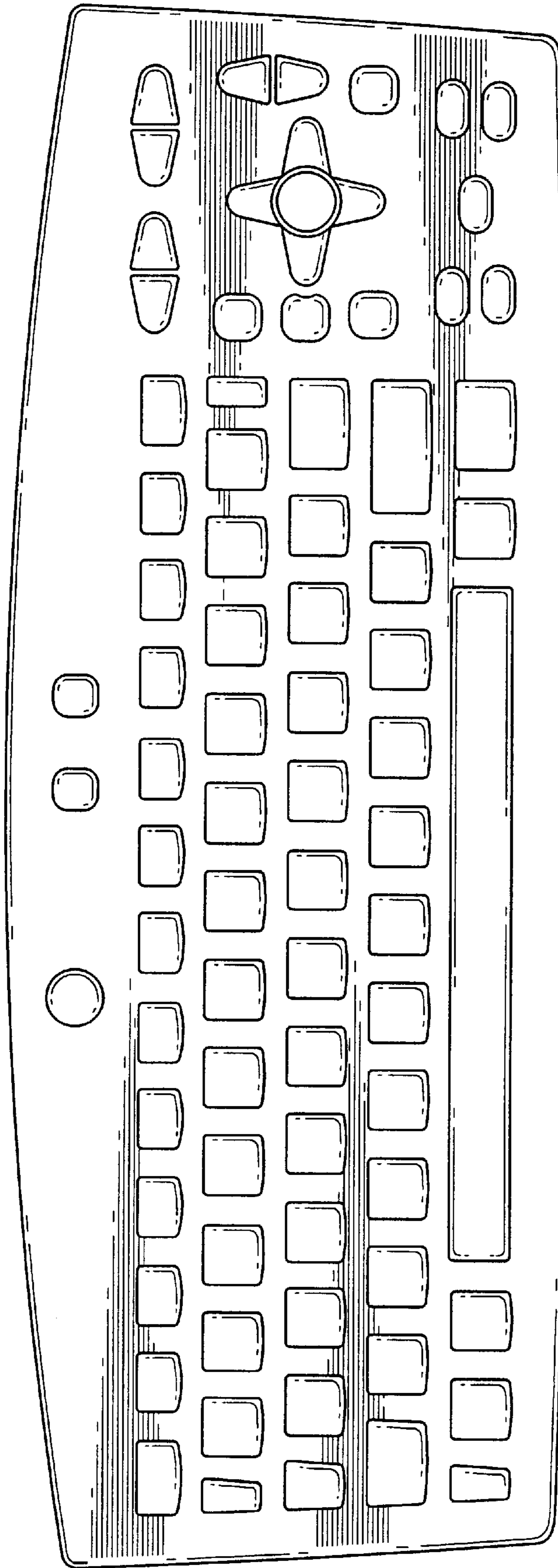


FIG. 7

