



US00D458926S

(12) **United States Design Patent**
Goto

(10) **Patent No.:** **US D458,926 S**

(45) **Date of Patent:** **** Jun. 18, 2002**

(54) **DISPLAY FOR ARITHMETIC AND CONTROL UNIT**

(75) Inventor: **Teiyu Goto, Tokyo (JP)**

(73) Assignee: **Sony Computer Entertainment, Inc., Tokyo (JP)**

(**) Term: **14 Years**

(21) Appl. No.: **29/146,040**

(22) Filed: **Aug. 3, 2001**

(30) **Foreign Application Priority Data**

May 14, 2001 (JP) 2001-013704

(51) **LOC (7) Cl.** **14-02**

(52) **U.S. Cl.** **D14/371**

(58) **Field of Search** D14/336, 337, D14/371, 135, 136, 156, 125-129; D21/324, 332, 333; 341/12; 345/104, 133, 156, 168, 87, 173; 348/180, 184, 325, 739; 349/1, 2, 11, 62

(56) **References Cited**

U.S. PATENT DOCUMENTS

D224,233 S * 7/1972 Fujita D14/371

D331,747 S	*	12/1992	Takahashi	D14/336
D364,648 S	*	11/1995	Osterhout	D21/324
D367,895 S	*	3/1996	Goto	D21/332
D398,659 S	*	9/1998	Yokoi	D21/333
D408,395 S	*	4/1999	Sakamoto et al.	D14/136
D408,408 S	*	4/1999	Ito et al.	D14/156
D434,399 S	*	11/2000	Lanet	D14/130

* cited by examiner

Primary Examiner—Freda Nunn

(74) *Attorney, Agent, or Firm*—Rader, Fishman & Grauer, PLLC

(57) **CLAIM**

The ornamental design for a display for arithmetic and control unit, as shown and described.

DESCRIPTION

FIG. 1 is a front elevational view of a display for arithmetic and control unit showing my new design; FIG. 2 is a rear elevational view thereof; FIG. 3 is a left side elevational view thereof; FIG. 4 is a right side elevational view thereof; FIG. 5 is a top plan view thereof; and, FIG. 6 is a bottom plan view thereof.

1 Claim, 3 Drawing Sheets

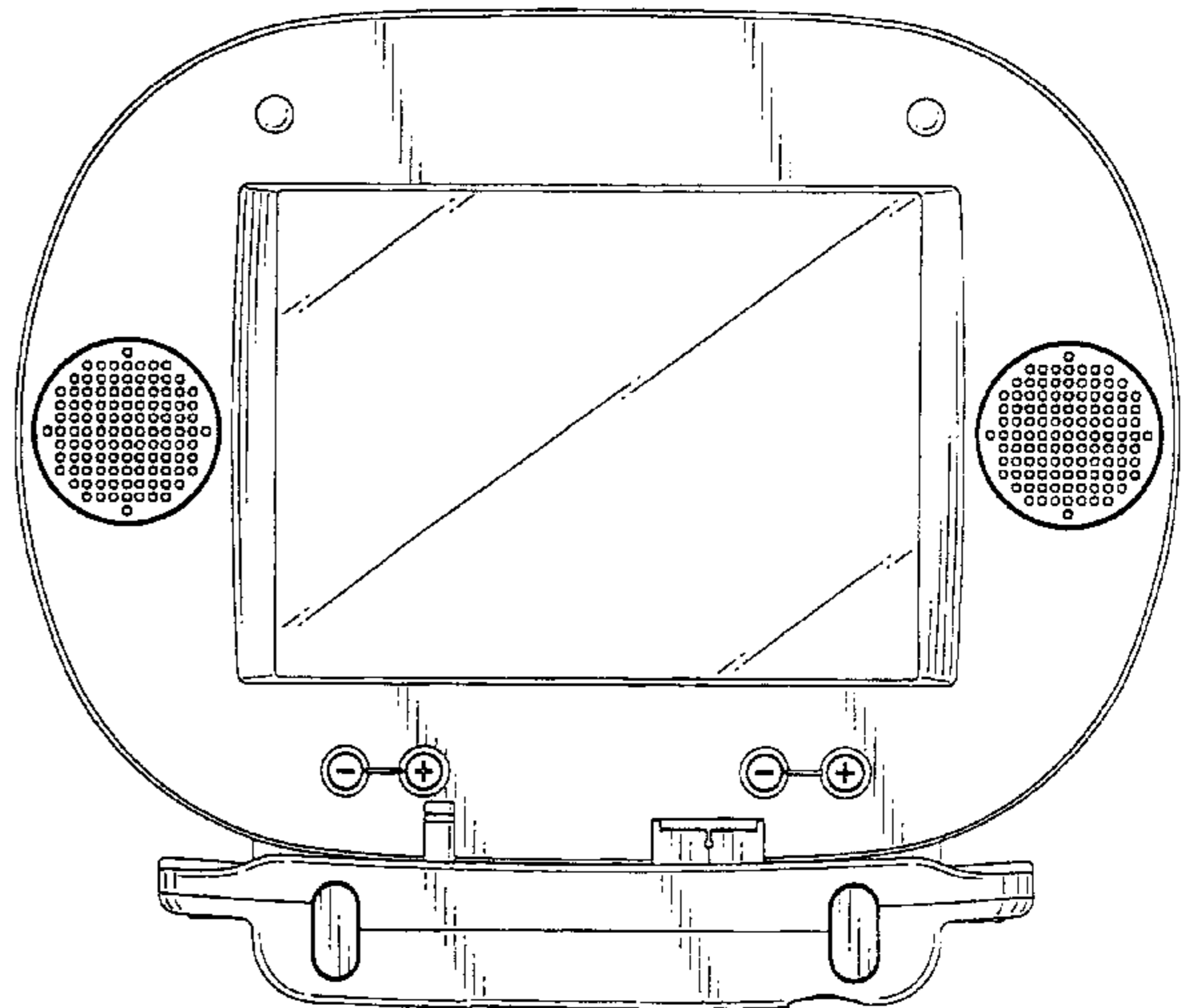
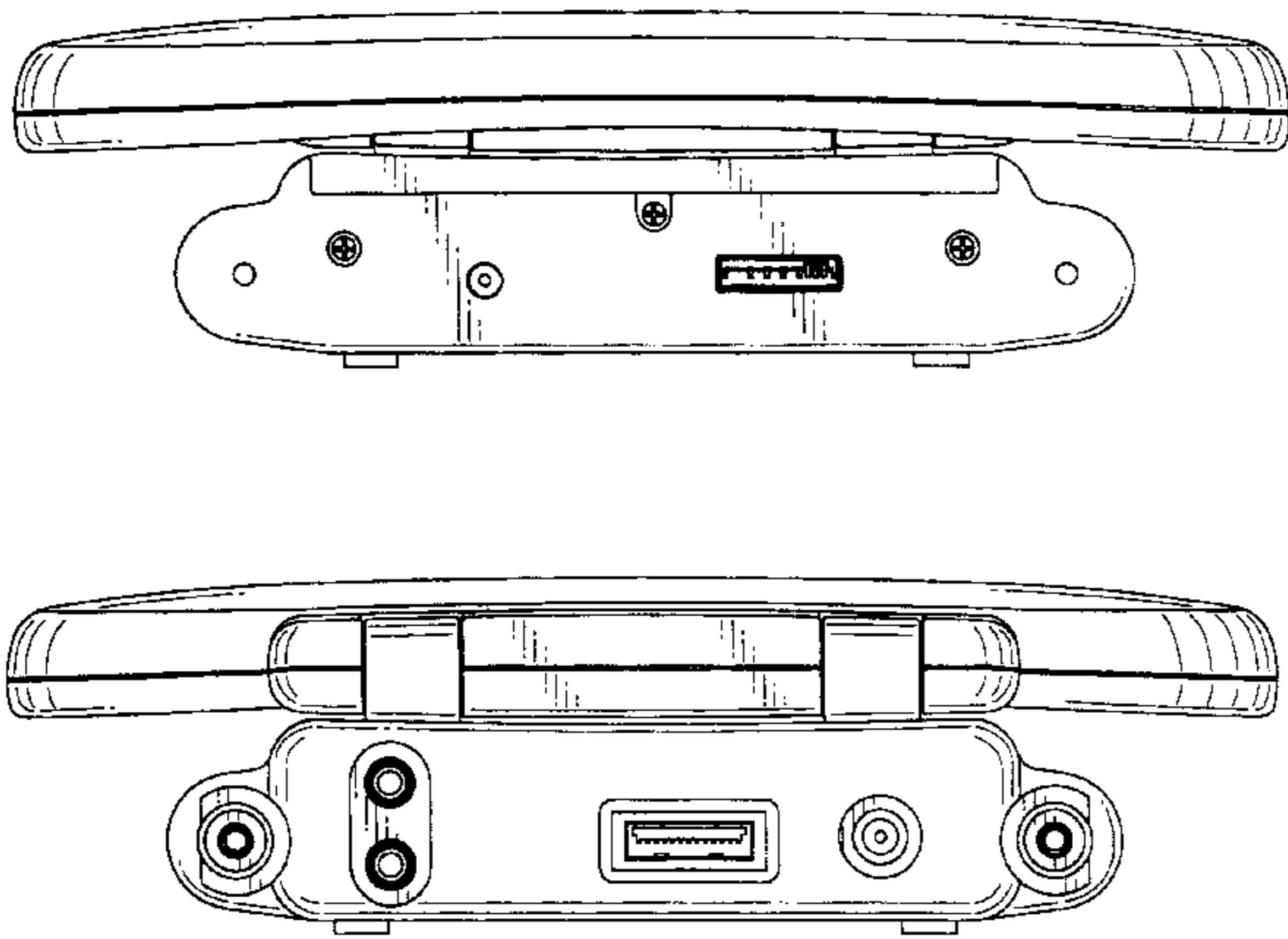


FIG. 1

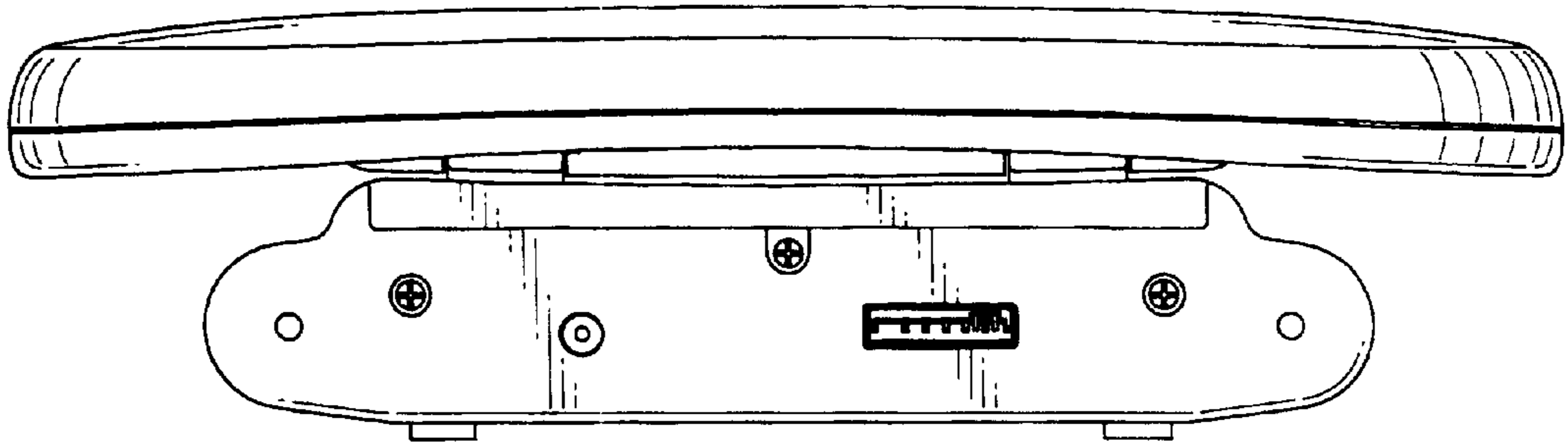


FIG. 2

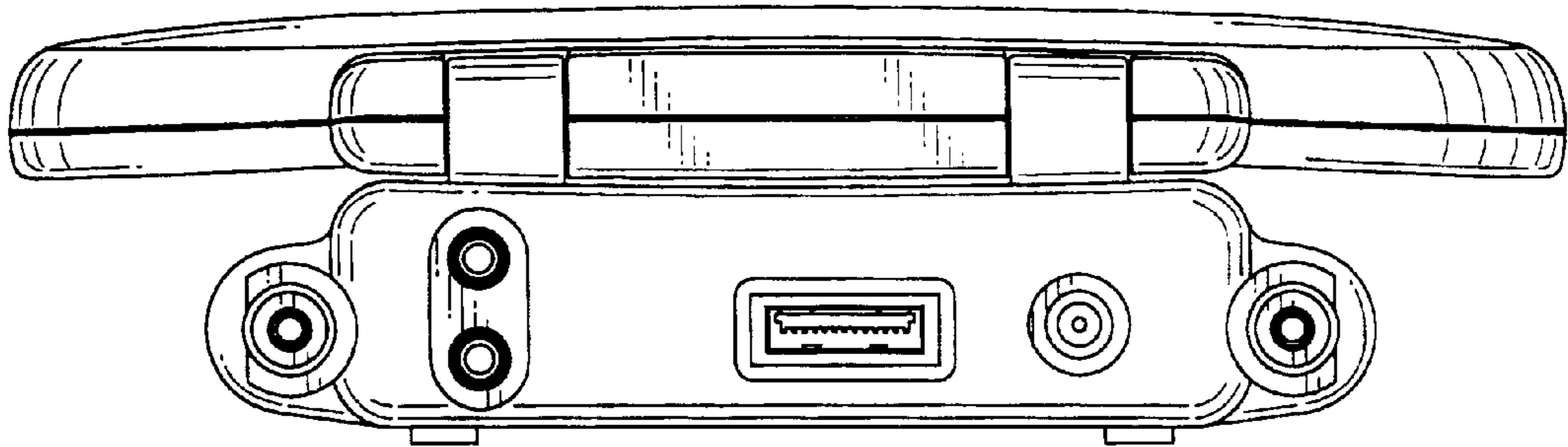


FIG. 3

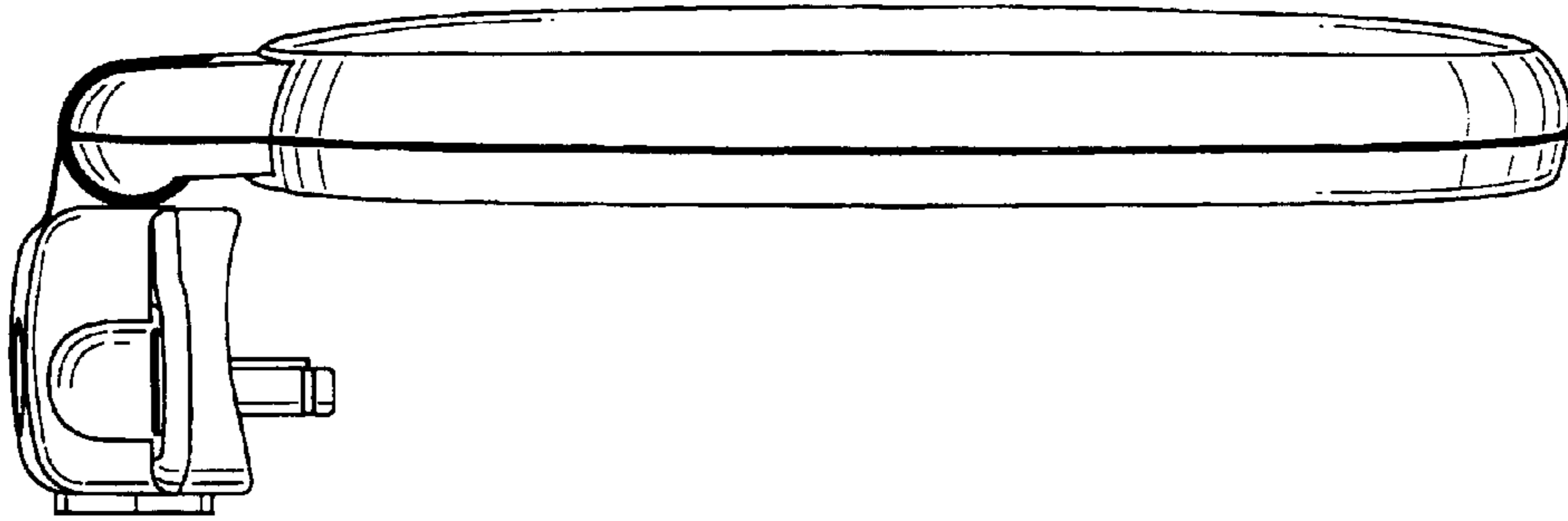


FIG. 4

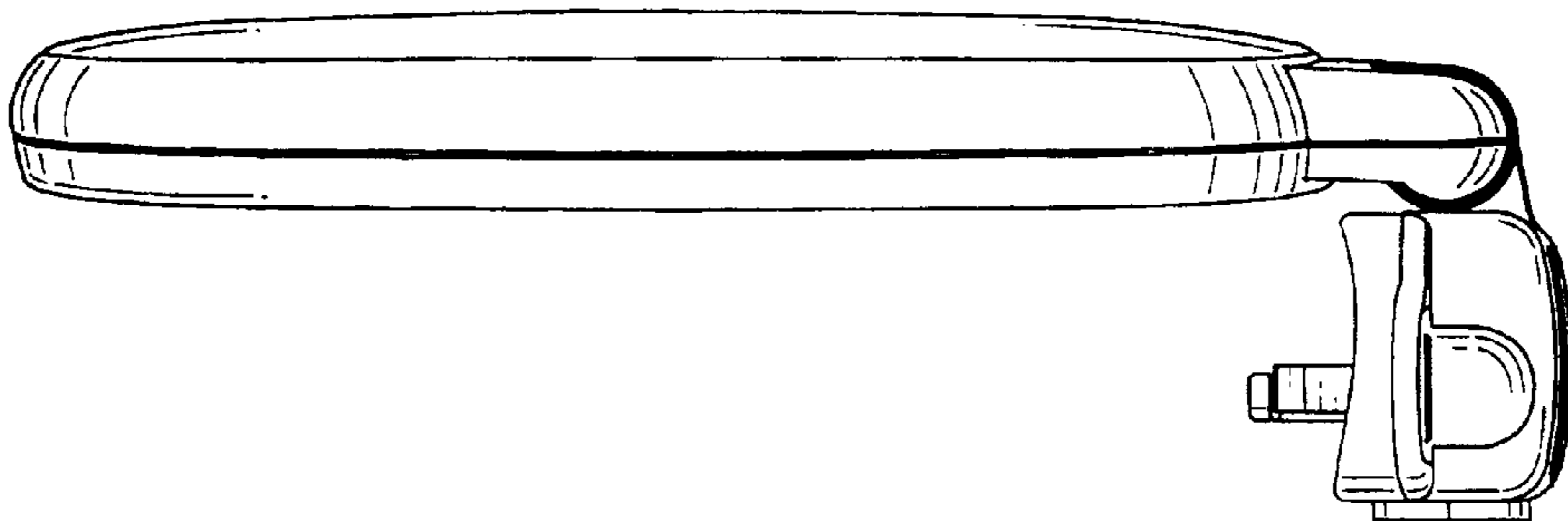


FIG. 5

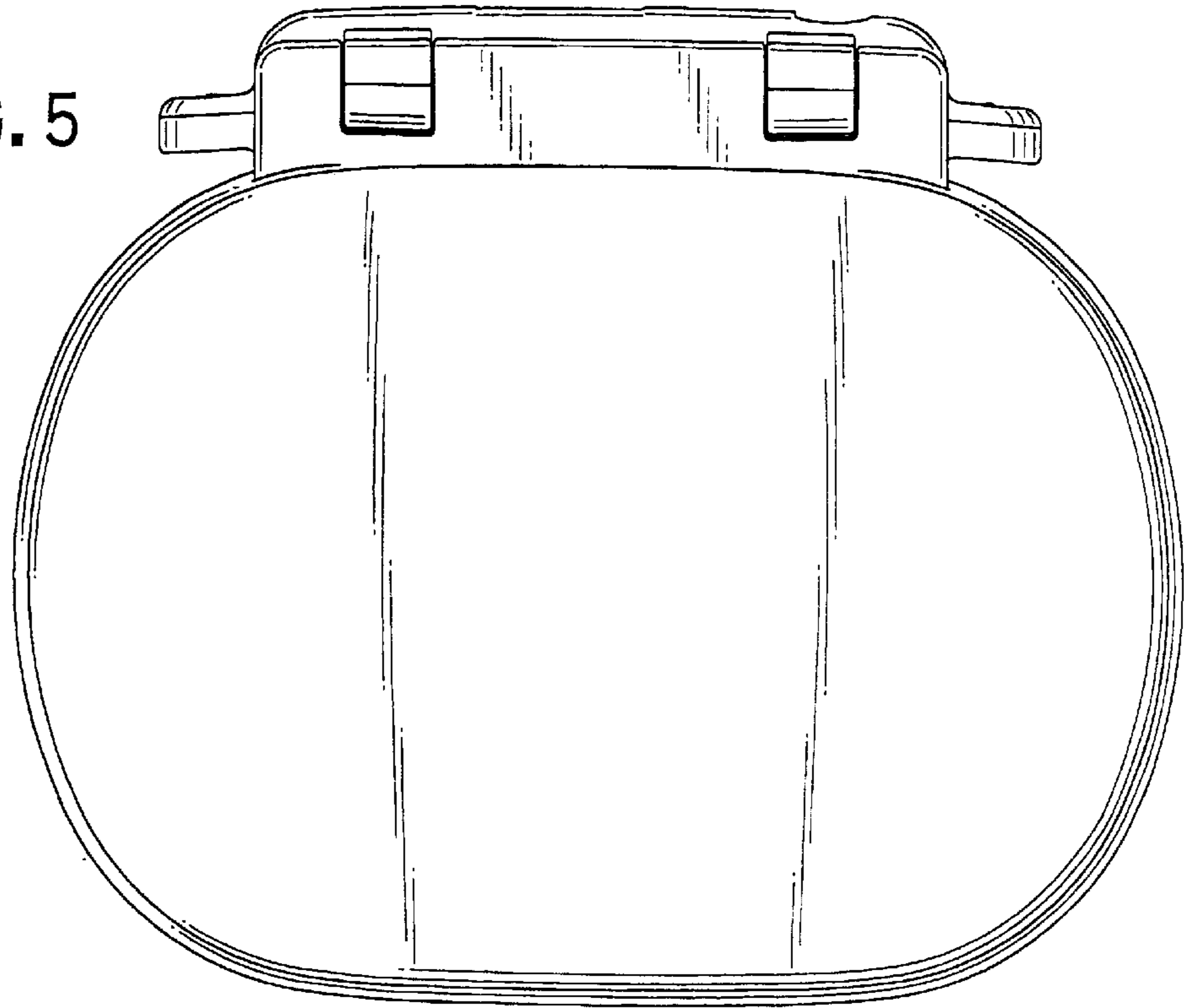


FIG. 6

