



US00D458916S

(12) **United States Design Patent**
Tolbert et al.

(10) **Patent No.:** **US D458,916 S**
(45) **Date of Patent:** **** Jun. 18, 2002**

(54) **STEREO CONSOLE FOR GOLF CARS**

(75) Inventors: **Steven Lewis Tolbert**, Xenia; **Neal E. Smith**, Salem, both of IL (US)

(73) Assignee: **Little Egypt Golf Cars Ltd.**

(**) Term: **14 Years**

(21) Appl. No.: **29/129,626**

(22) Filed: **Sep. 19, 2000**

(51) **LOC (7) Cl.** **14-03**

(52) **U.S. Cl.** **D14/157**

(58) **Field of Search** D12/16, 114, 415,
D12/419; D14/156-157, 162, 168, 172,
188, 194, 204, 207, 213-216, 221; 181/144-148,
150-153, 157, 198-199; 381/300-302,
307, 359, 361-364, 386; 455/344, 347,
350-351

(56) **References Cited**

U.S. PATENT DOCUMENTS

D246,900 S * 1/1978 Yasuoka D14/157

D251,001 S * 2/1979 Forselius D12/419
D260,148 S * 8/1981 Berg D14/157
D304,033 S * 10/1989 Villanueva et al. D14/157
5,001,779 A * 3/1991 Eggert et al. 455/347
D342,253 S * 12/1993 Taylor D14/157
5,771,305 A * 6/1998 Bavis 381/386

* cited by examiner

Primary Examiner—Nanda Bondade

(74) *Attorney, Agent, or Firm*—Knechtel Demeur & Samlan

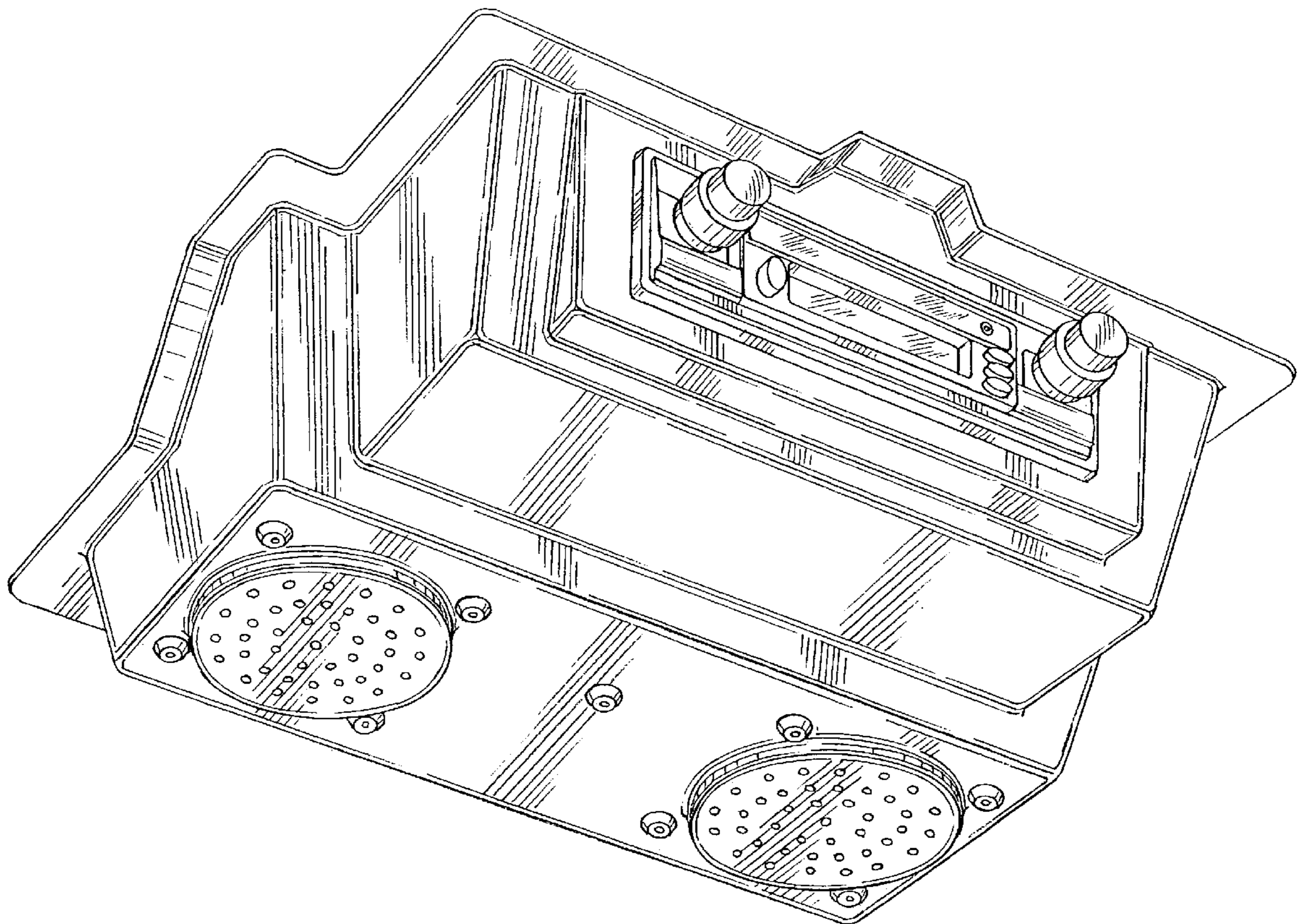
(57) **CLAIM**

The ornamental design for a “stereo console for golf cars”, as shown and described.

DESCRIPTION

FIG. 1 is a left bottom perspective view.
FIG. 2 is a right end view.
FIG. 3 is a front view.
FIG. 4 is a bottom view.
FIG. 5 is a rear view; and,
FIG. 6 is a top plan view.

1 Claim, 3 Drawing Sheets



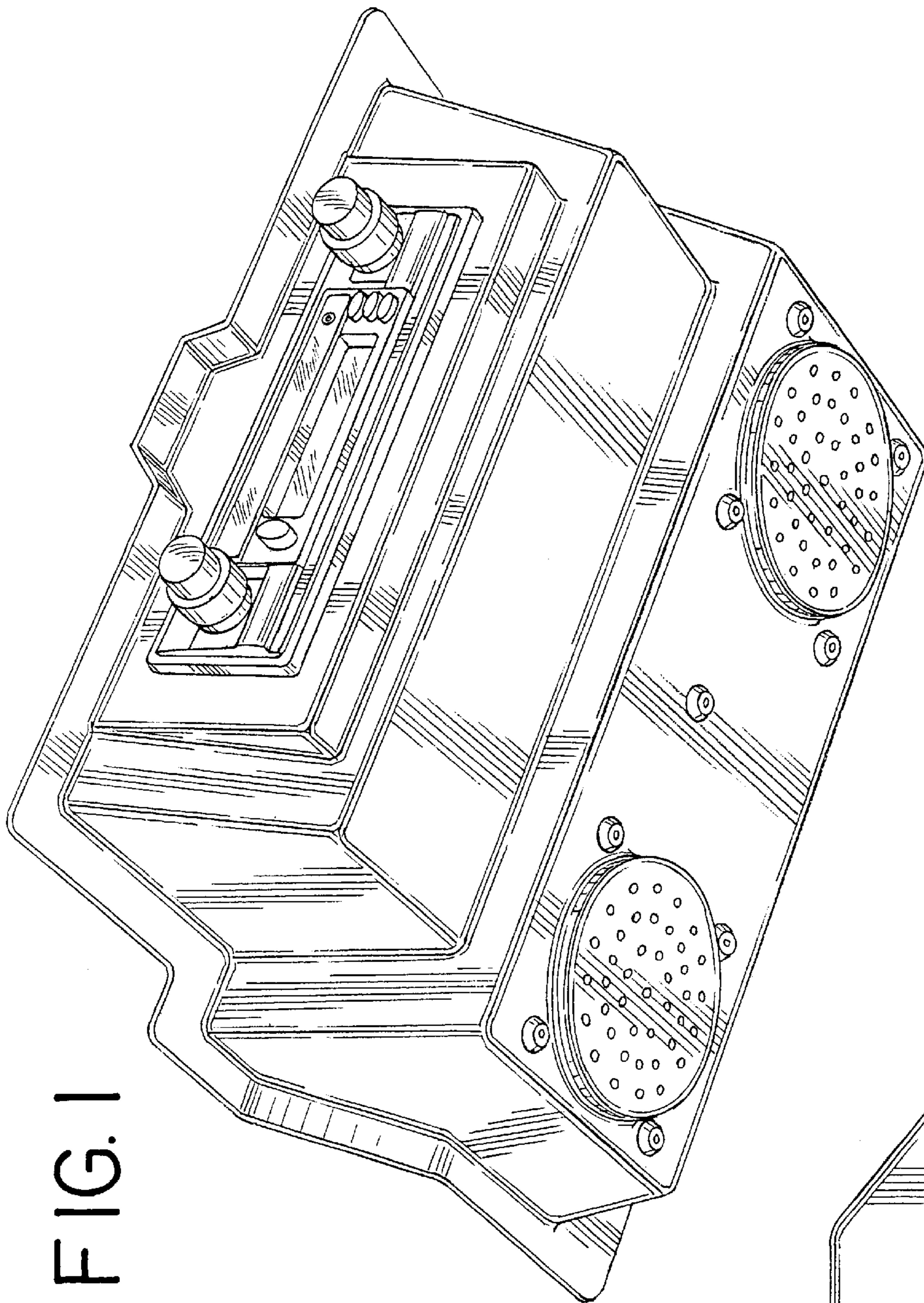


FIG. 1

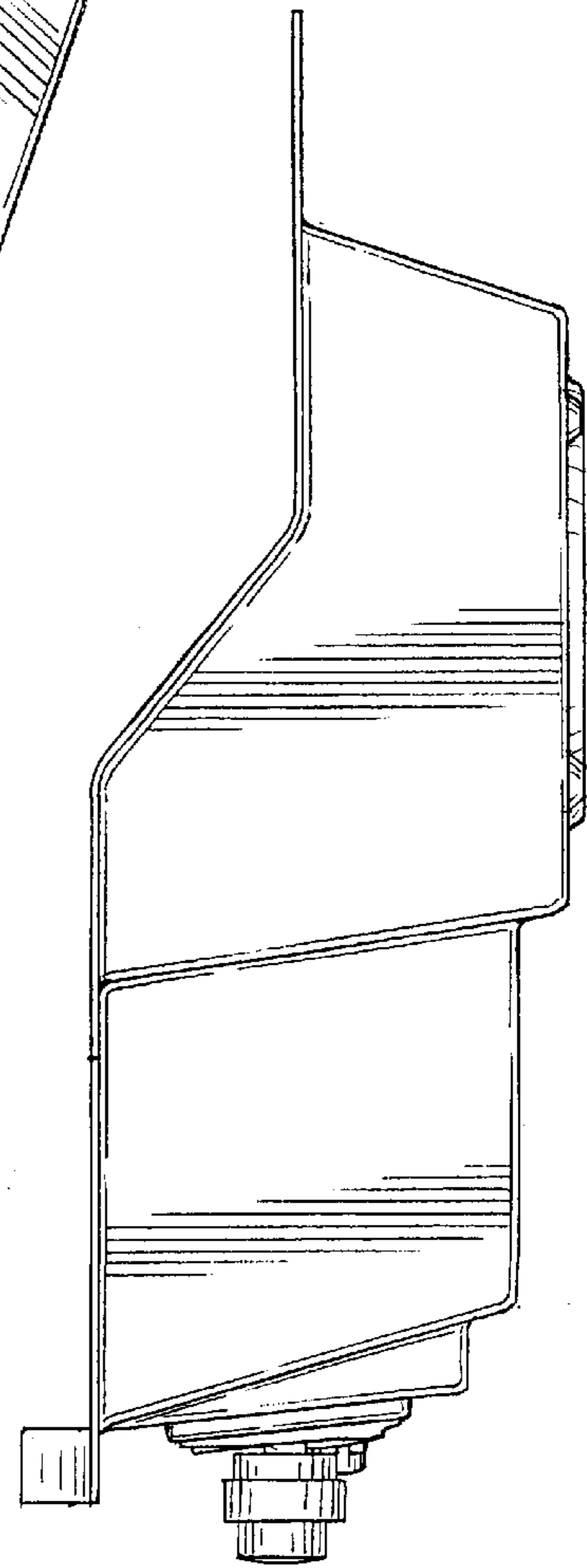


FIG. 2

FIG. 3

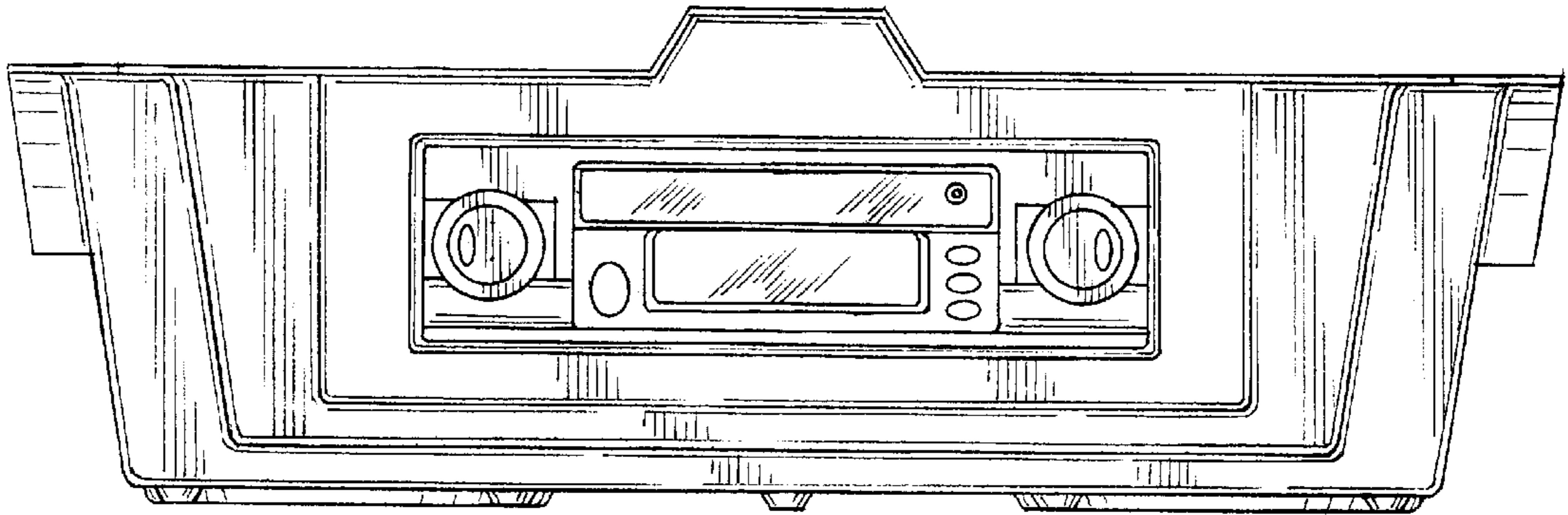


FIG. 4

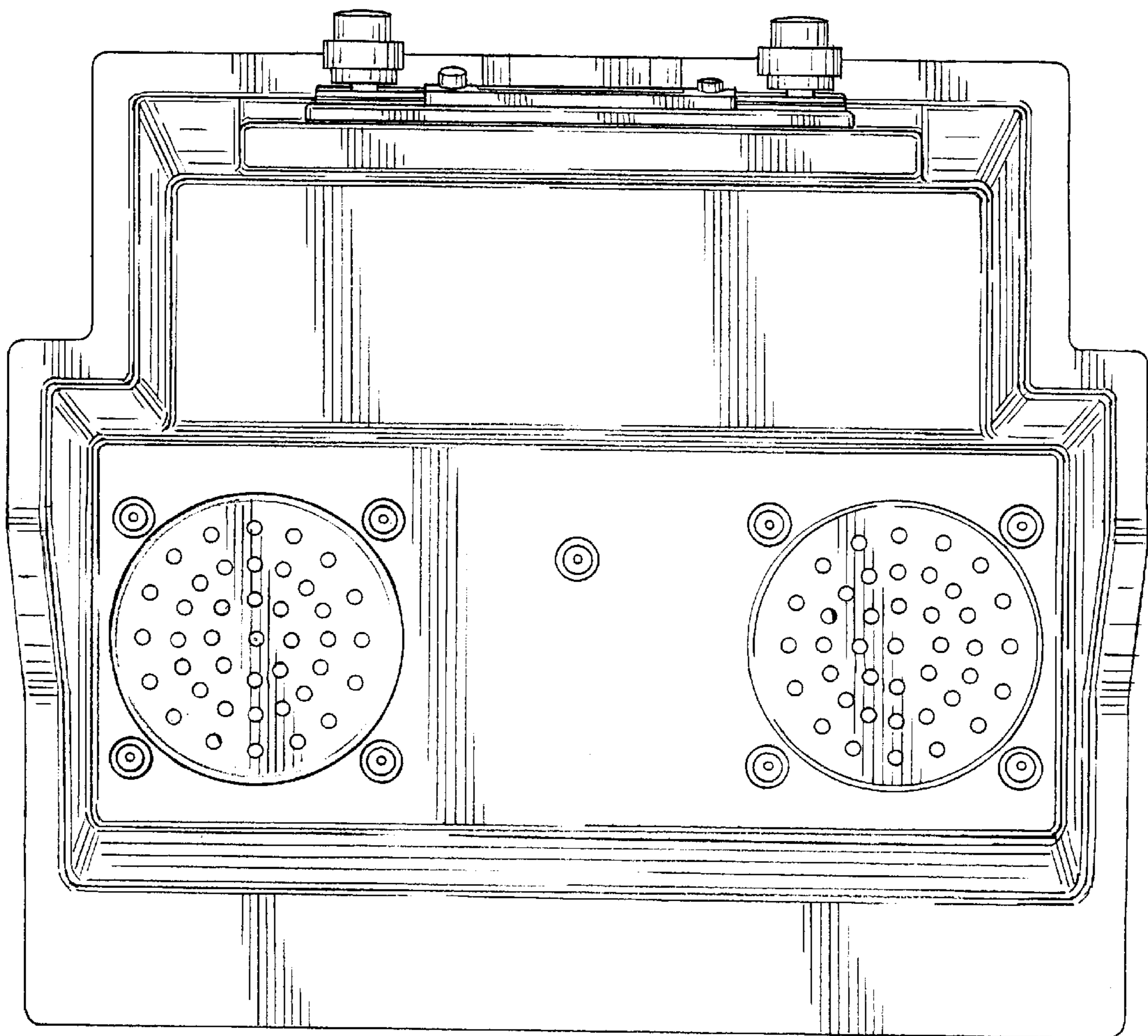


FIG. 5

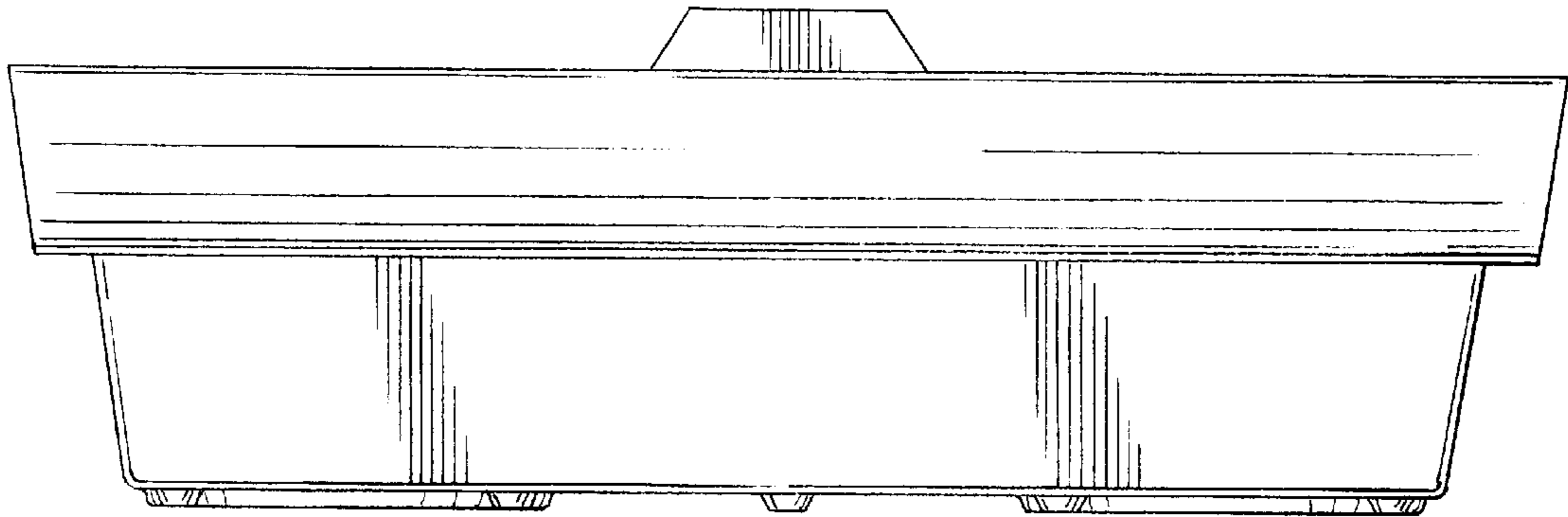


FIG. 6

