



US00D458914S

(12) **United States Design Patent**
Devane et al.

(10) **Patent No.:** **US D458,914 S**
(45) **Date of Patent:** **** Jun. 18, 2002**

(54) **TELEPHONE**

(75) Inventors: **Sean Devane; James Orkney**, both of
Bristol (GB)

(73) Assignee: **Marconi Communications Limited**,
Coventry (GB)

(**) Term: **14 Years**

(21) Appl. No.: **29/143,584**

(22) Filed: **Jun. 15, 2001**

(30) **Foreign Application Priority Data**

Dec. 20, 2000 (GB) 2098299

(51) **LOC (7) Cl.** **14-03**

(52) **U.S. Cl.** **D14/146; D14/130; D14/329**

(58) **Field of Search** D14/434, 329,
D14/330, 146, 148, 147, 149-151, 140-142,
240, 241, 900-902, 251, 253, 247, 130,
331, 144; 379/420.01, 420.02, 420.03, 419,
420.04, 428.02, 428.01, 428.04, 428.03,
454, 440, 433-436, 442, 446, 430, 143-155,
453, 900, 93.22, 93.17, 91.01; D99/28;
D20/10

(56) **References Cited**

U.S. PATENT DOCUMENTS

4,179,723 A * 12/1979 Spencer 361/687
D300,533 S * 4/1989 Oura et al. D14/329
D304,932 S * 12/1989 Oura et al. D14/329

5,036,390 A * 7/1991 Masunaga 348/61
D323,656 S * 2/1992 McGarvey et al. D14/146
D341,586 S * 11/1993 Alvarez-Ryan et al. D14/130
D351,160 S * 10/1994 Massey et al. D14/146
5,515,424 A * 5/1996 Kenney 379/93.22
D391,569 S * 3/1998 Brunner et al. D14/144
D395,129 S * 6/1998 Johnson D99/28
D404,025 S * 1/1999 Horne et al. D14/331
D414,485 S * 9/1999 Hazan D14/130
D419,996 S * 2/2000 Gosling D14/146
D424,575 S * 5/2000 Wilson D14/300

* cited by examiner

Primary Examiner—Jeffrey Asch

(74) *Attorney, Agent, or Firm*—Kirschstein, et al.

(57) **CLAIM**

The ornamental design for a telephone, as shown and described.

DESCRIPTION

FIG. 1 is a front, left side and top, perspective view of a telephone according to our new design with the dashed areas being shown for environmental purposes and forming no part of this design;

FIG. 2 is a front perspective view thereof;

FIG. 3 is a left side perspective view thereof;

FIG. 4 is a right side perspective view thereof;

FIG. 5 is a top perspective view thereof;

FIG. 6 is a rear perspective view thereof; and,

FIG. 7 is a bottom perspective view thereof.

1 Claim, 7 Drawing Sheets

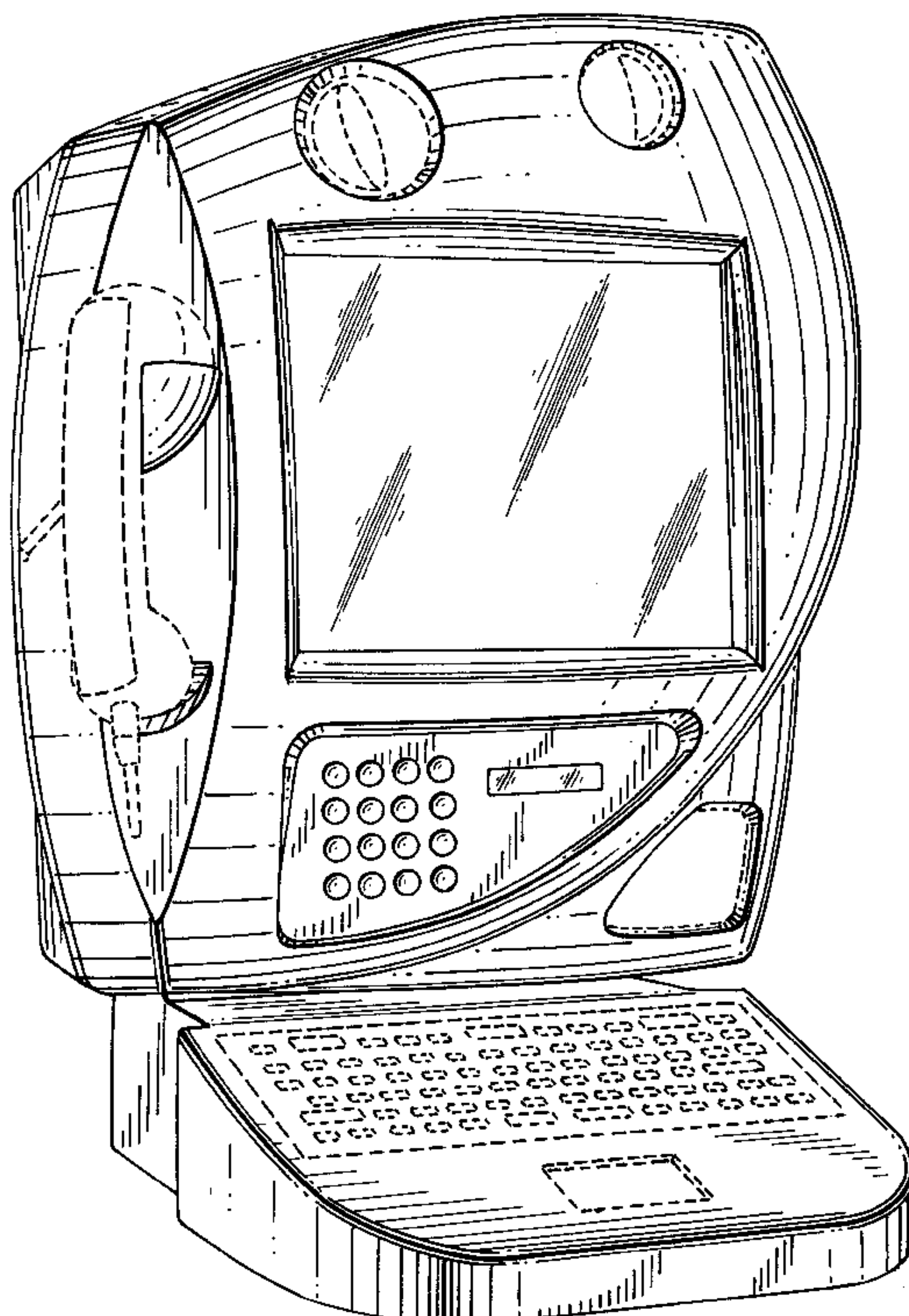


FIG. 1

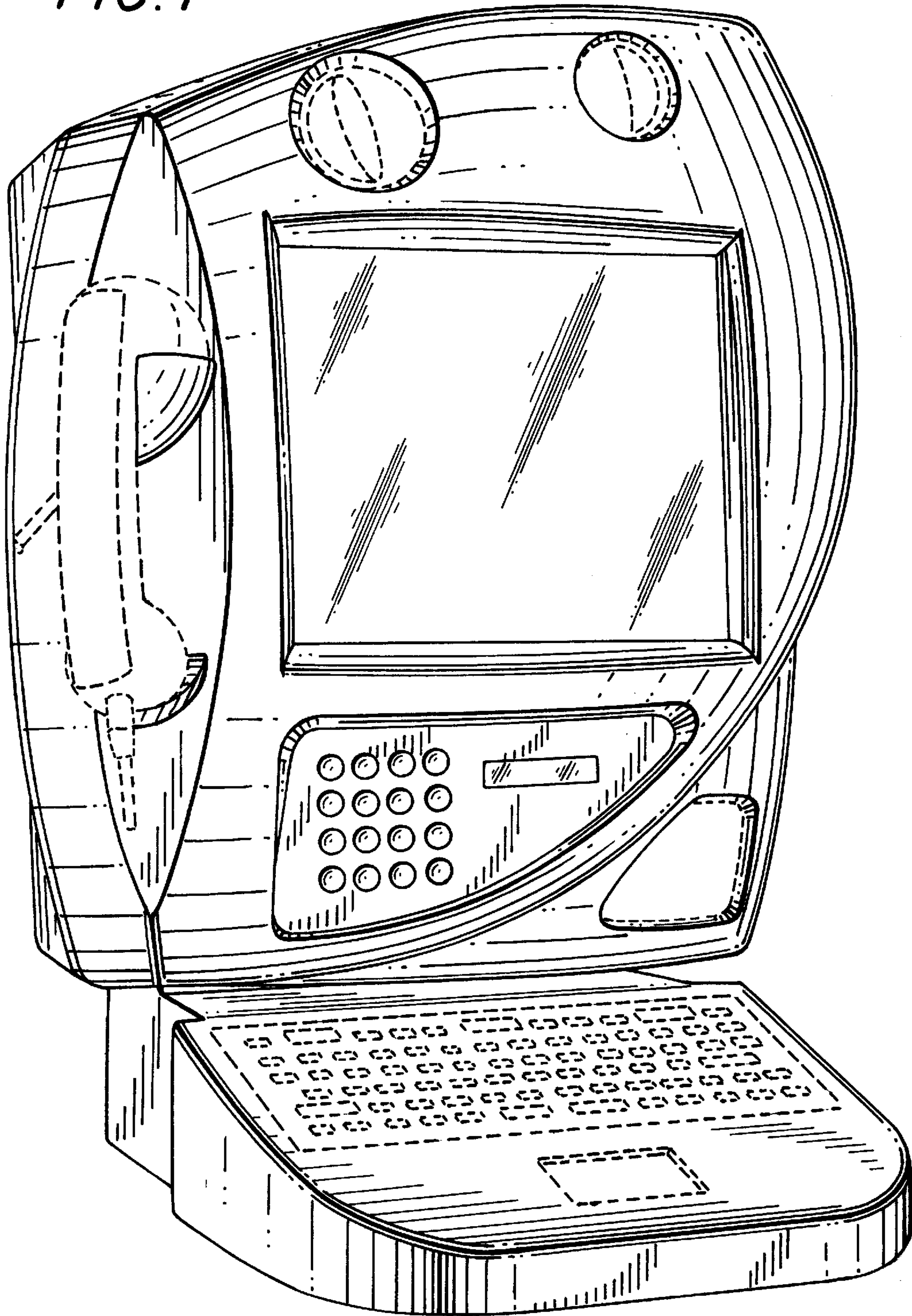


FIG. 2

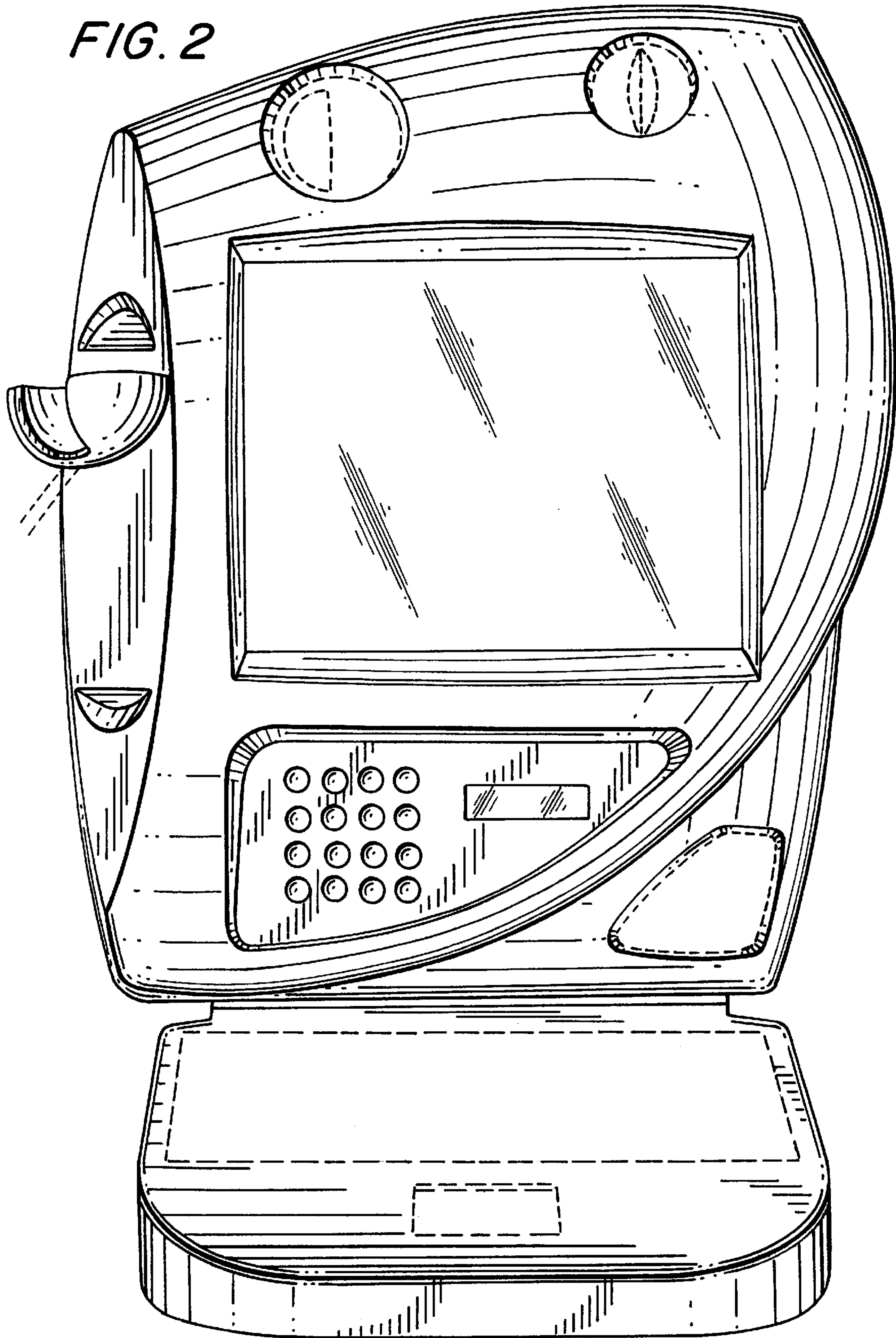


FIG. 3

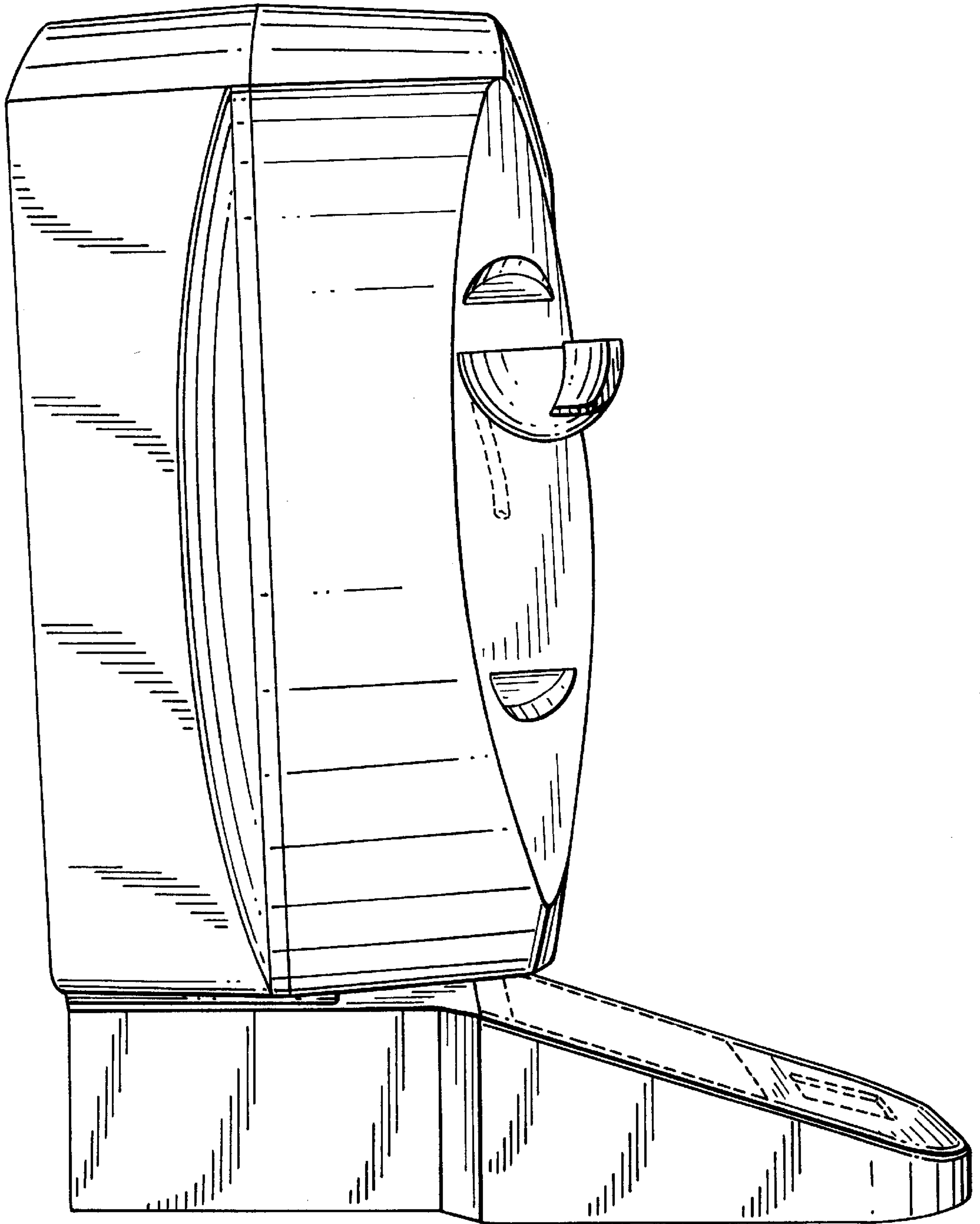


FIG. 4

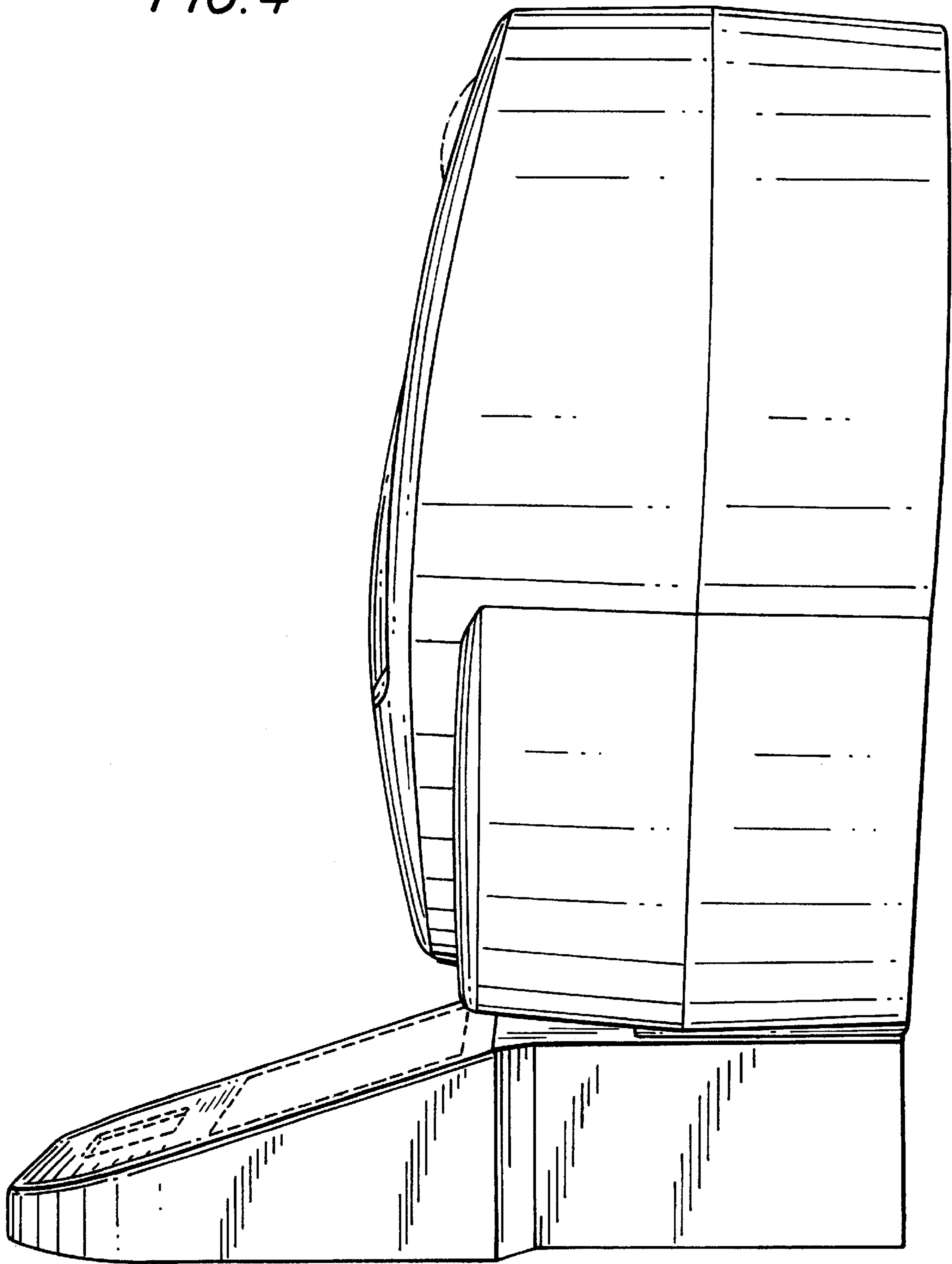


FIG. 5

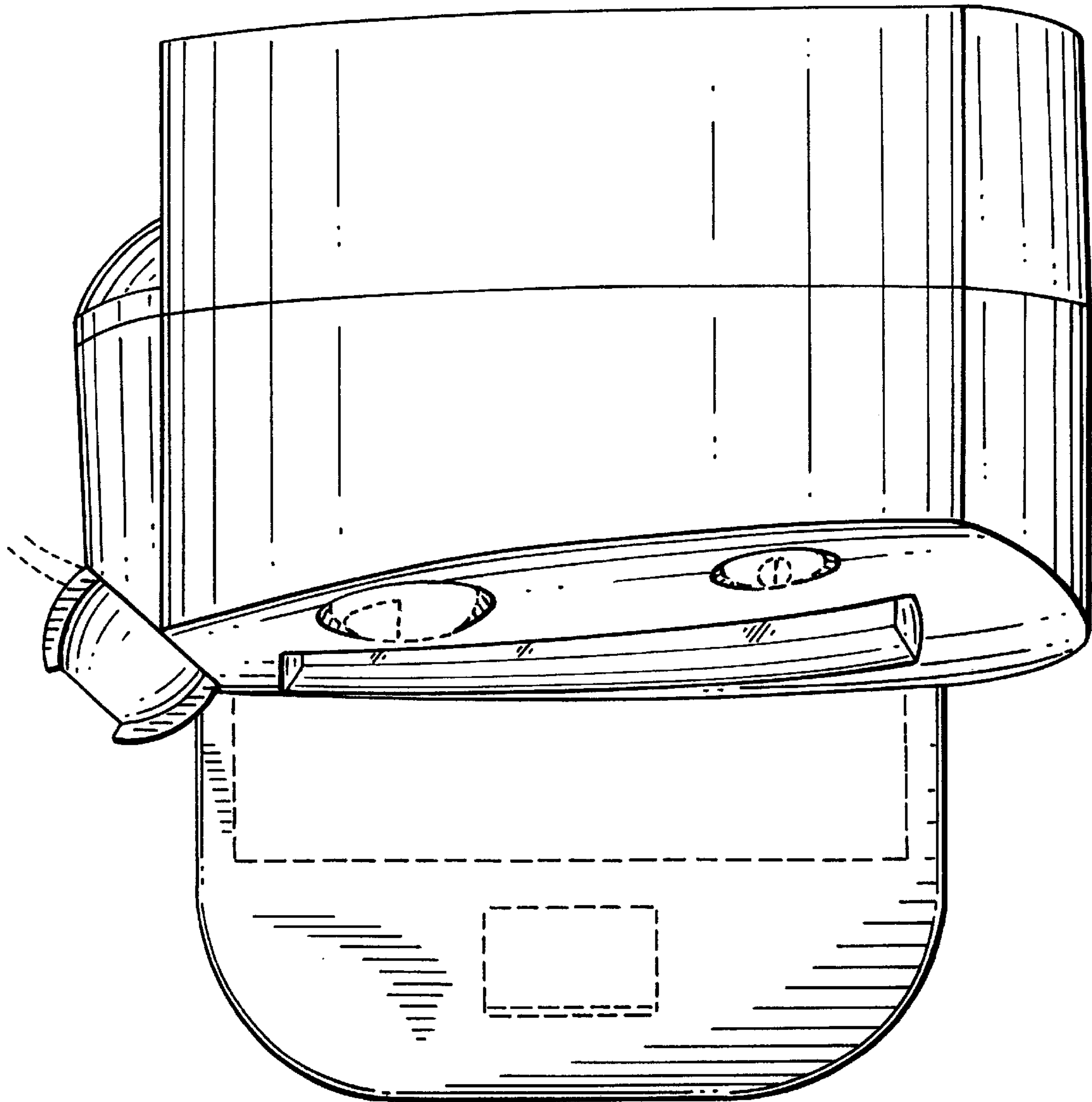


FIG. 6

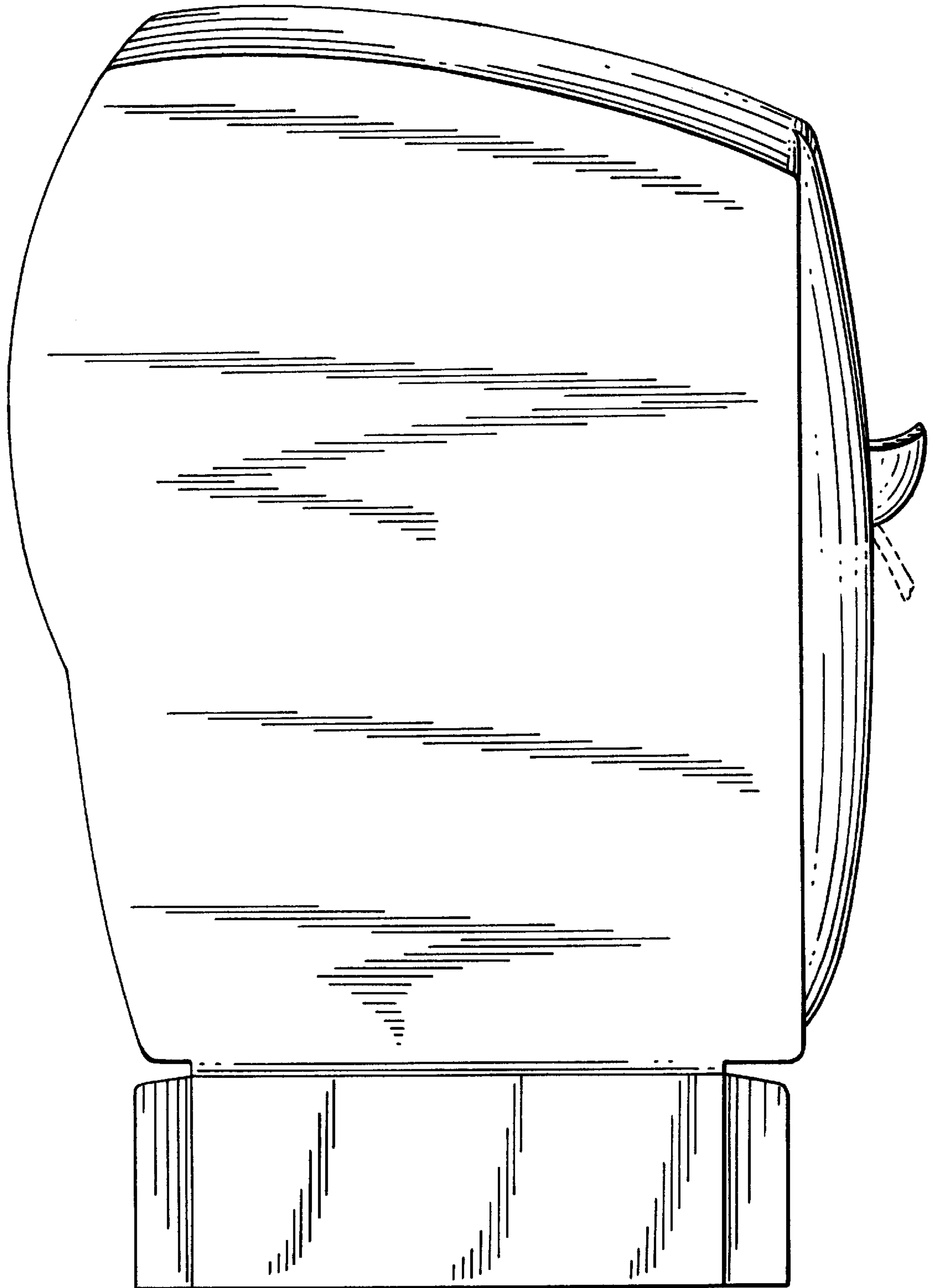


FIG. 7

